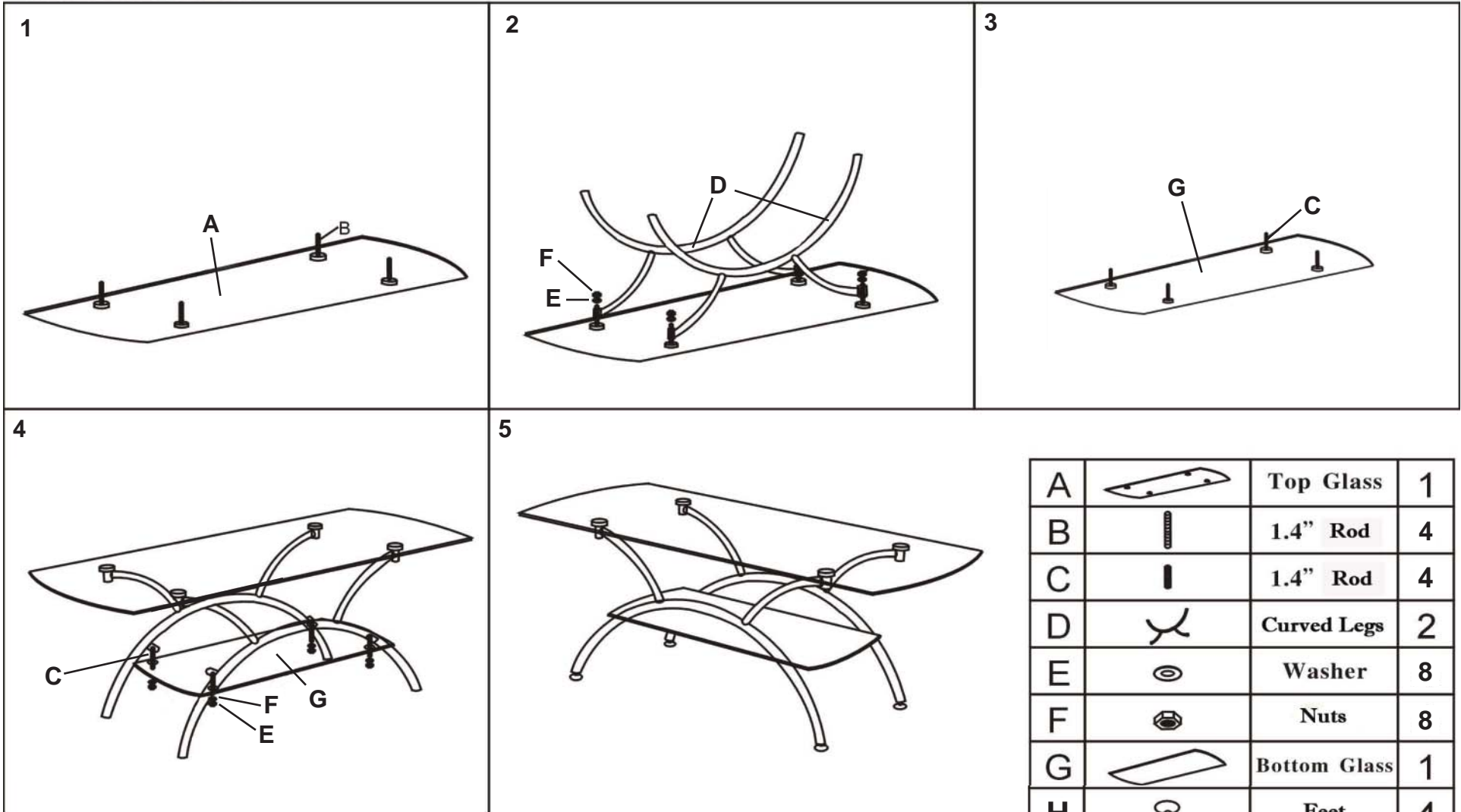


Assembly Diagram



MODEL NO:C42CK



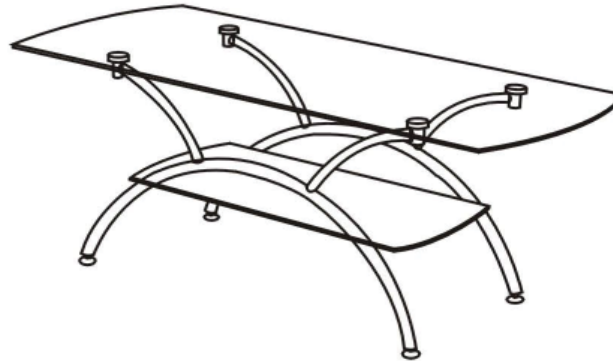
A		Top Glass	1
B		1.4" Rod	4
C		1.4" Rod	4
D		Curved Legs	2
E		Washer	8
F		Nuts	8
G		Bottom Glass	1
H		Feet	4

Assembly Instruction

C42CK



*Important: Make sure all parts are available for assembly
Follow Instructions steps very carefully*



Step 1: Lay large table glass (A) upside down on a soft surface.

Screw rods (B) into the four plates on the glass. Be sure to tighten firmly.

Step 2: Place curved legs (D) over rods (B).

Place washers (E) and nuts (F) over rods (B) and tighten.

Step 3: Lay bottom glass (G) upside down on a soft surface.

Screw rods (C) into four plates on the glass. Be sure to tighten firmly.

Step 4: Very carefully turn the table upright.

Attach bottom glass (G) to curved legs (D), inserting rods into mount holes on legs.

Place washers (E) and nuts (F) over rods (C) and tighten firmly.

Warning: *Be careful to not over tighten*

For our most up to date instruction, to request missing, lost, or broken parts, or for any other Customer Service issues, please visit our website at www.walkerredison.com or call us at 877-203-2917.