



Assembly Instructions

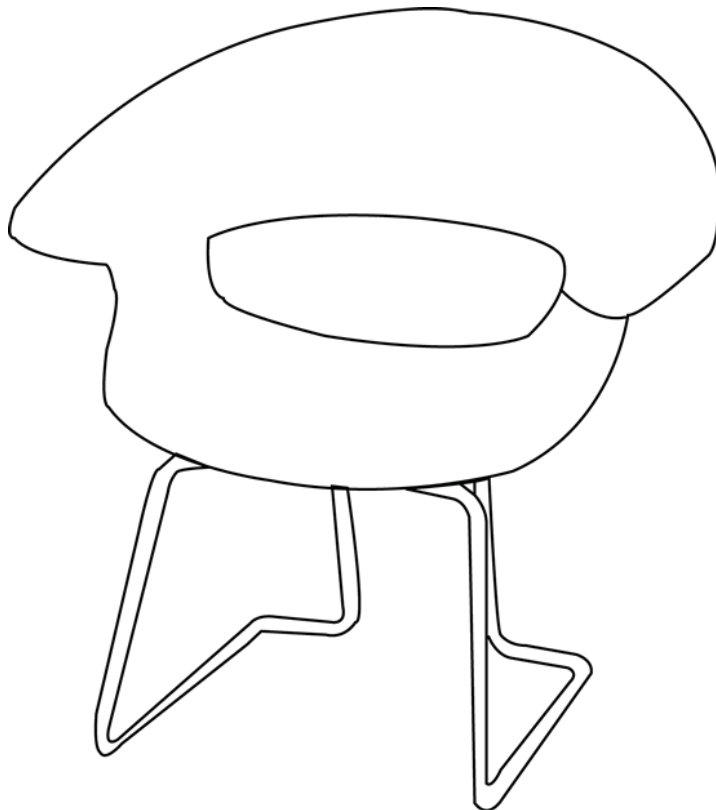
CH38**

Important: Make sure all parts are available for assembly. Follow instruction steps carefully.

Step 1: Remove parts from box. Ensure that you have all necessary parts.
Turn legs "A" and seat "B" upside down.

Step 2: Place legs "A" on seat "B" ensuring that the four holes in the chair line up with the holes in the legs.
Insert screws "C" into holes in the front of legs. **DO NOT TIGHTEN.**
Push the remaining side of legs "A" into place (this puts tension on the chair to strengthen it) and insert screws "C". Once all four screws are in place, tighten them down securely with wrench provided.
Insert rubber feet "D" into holes on the base of the legs.
For best results, use a hammer or rubber mallet to gently push the feet into the holes.

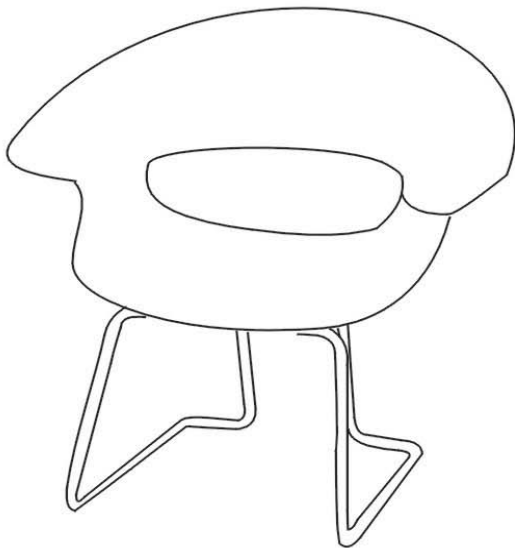
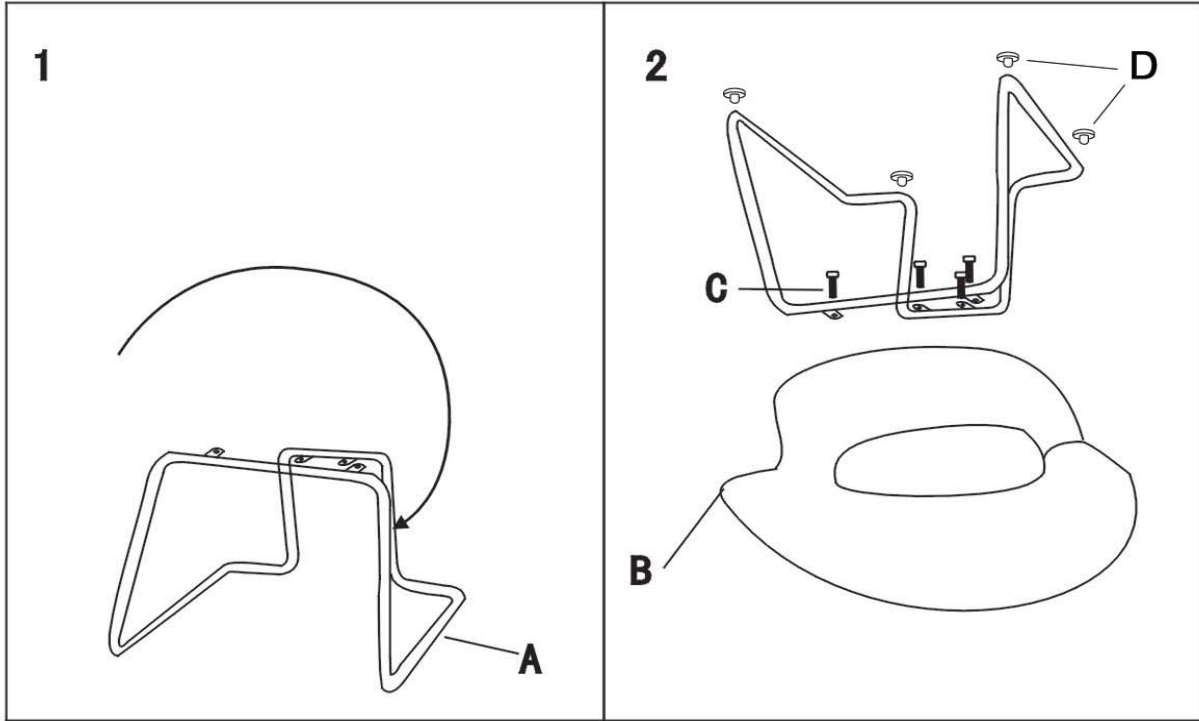
Step 3: Turn finished chair upright and enjoy!



For our most up to date assembly instructions or to request missing, lost, or broken parts, or for any other customer service issue, please visit our website at www.walker-edison.com or call us at 877-207-5906.

Assembly Diagram

CH38**



A		1
B		1
C		4
D		4