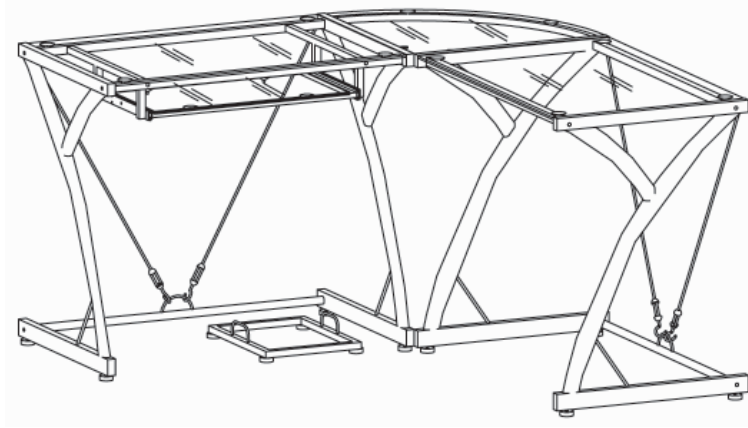


# Assembly Diagram

Model No. D51Z29



## Component List

A		wrench	1	L		middle glass	1
B		small bolts	8	M		keyboard tray glass	1
C		large bolts	4	N		desk leg left	2
D		medium bolts	12	O		desk leg right	2
E		rubber suction cups	16	P		CPU stand	1
F		desk feet	8	Q		keyboard tray frame	1
G		CPU feet	4	R		middle frame	1
H*		keyboard tray bracket	2	S		lower back cross bar	2
I*		keyboard tray arm	2	T		left upper cross bar	2
J		keyboard tray support frame	L = 1, R = 1	U		right upper cross bar	2
K		desk glass	2	V		support wire	4

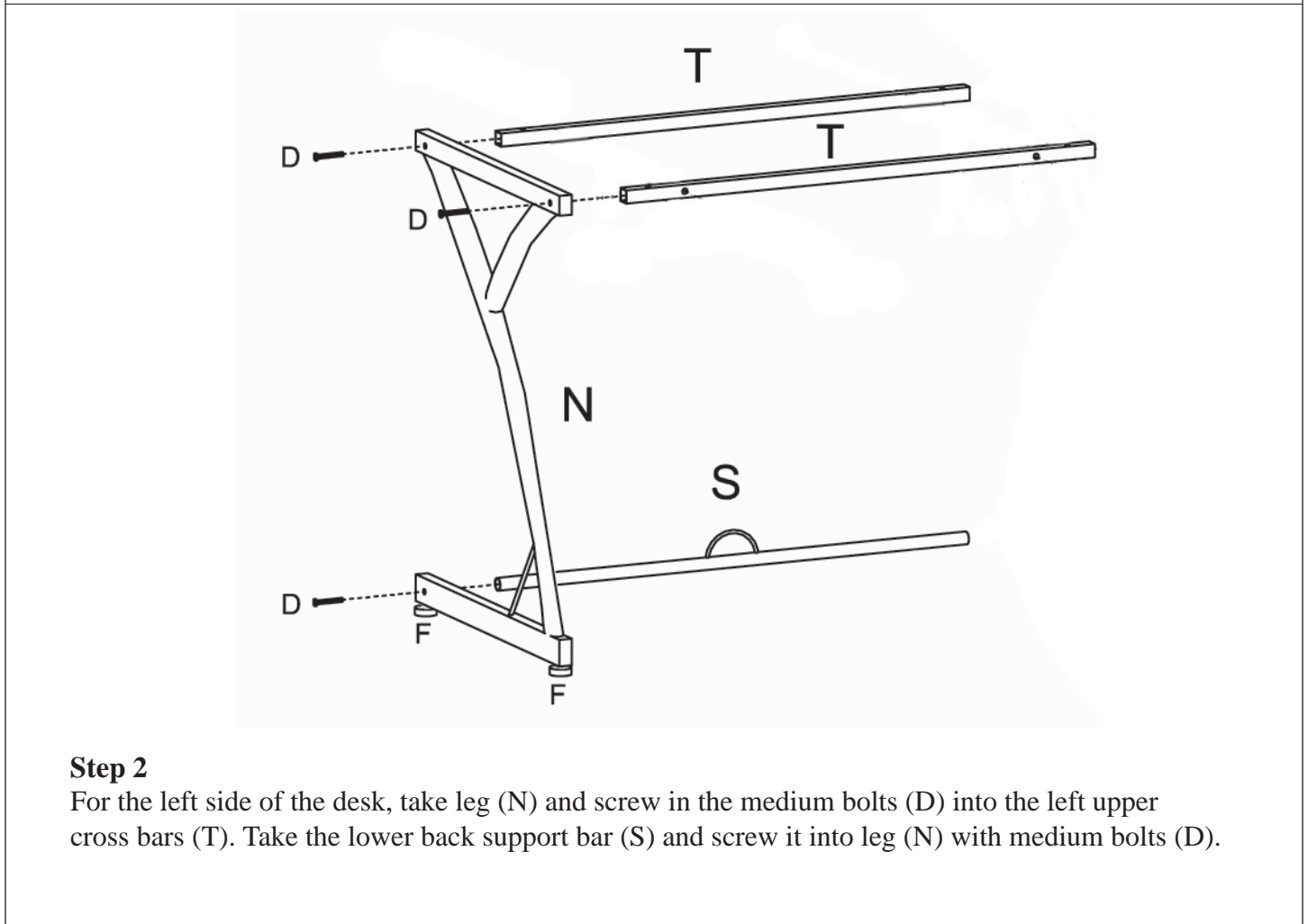
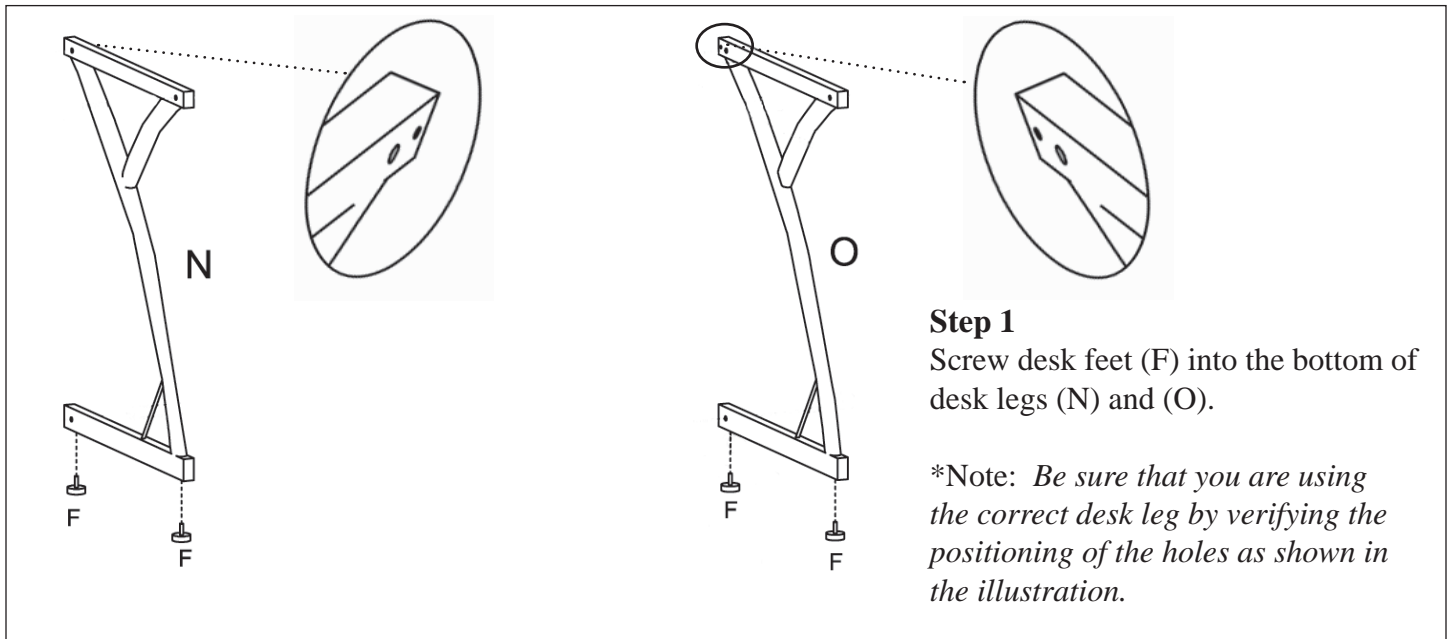
\*Note: These parts come preassembled for shipping purposes and must be disassembled for assembly

### Important

For our most up to date assembly instructions or to request missing, lost, or broken parts, or for any other customer service issue, please visit our website at [www.walkeredison.com](http://www.walkeredison.com) or call us toll free at 877-207-5906.

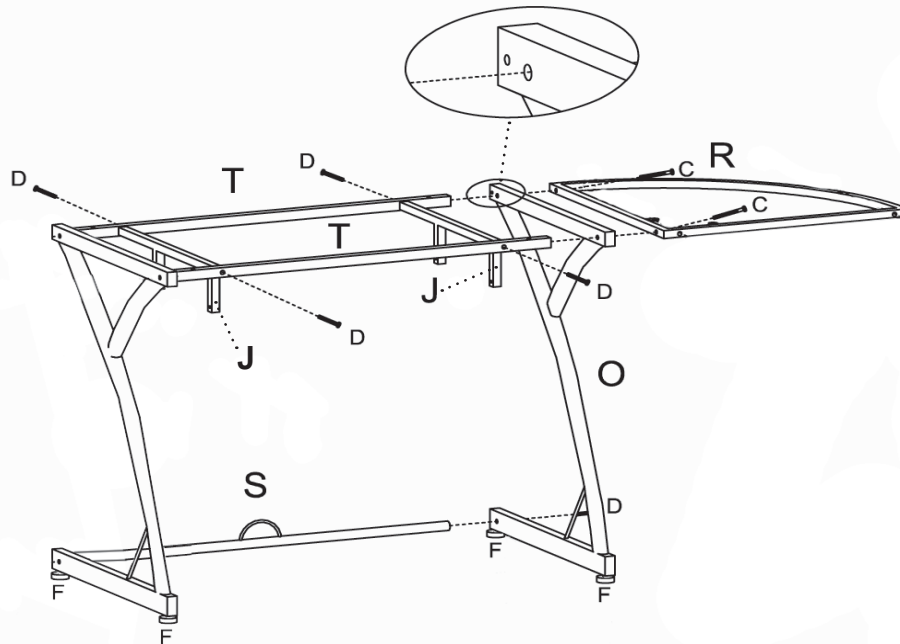
# Assembly Diagram

Model No. D51Z29



# Assembly Diagram

Model No. D51Z29

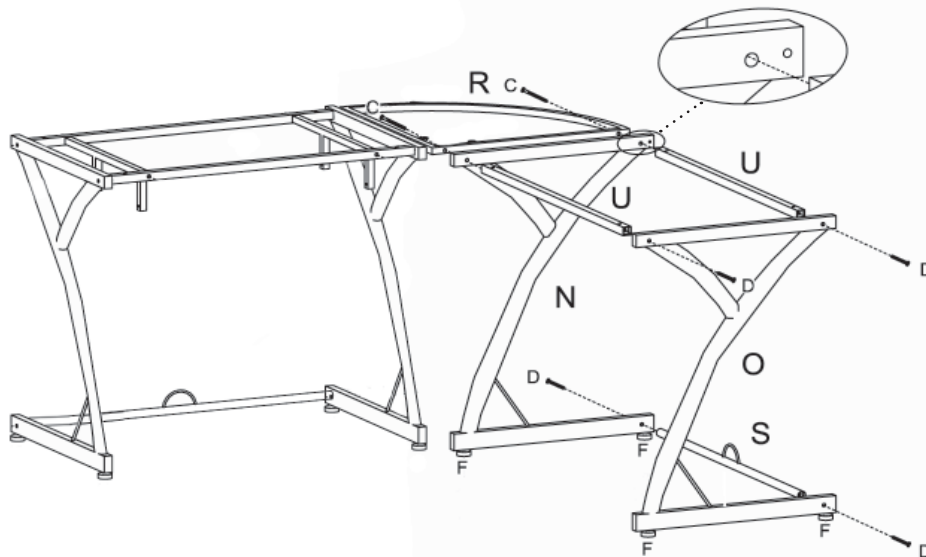


## Step 3

Screw in keyboard support tray frame (J) between left upper cross bars (T) using medium bolts (D). Attach middle frames (R) and cross bars (T) to leg (O) using large bolts (C).

## Step 4

Attach lower back support bar (S) to leg (O) using medium bolt (D).



## Step 5

For the right side of the desk, attach middle frame (R) to leg (N) and right upper cross bars (U) using large bolts (C). Attach leg (N) to lower back support bar (S) using medium bolt (D).

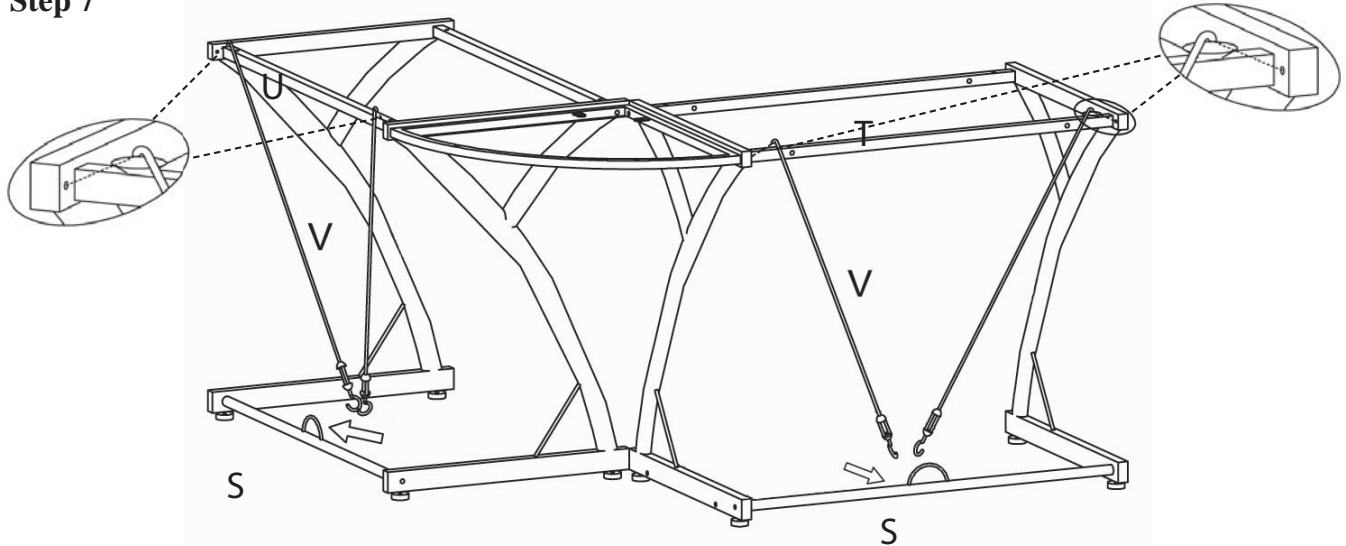
## Step 6

Attach leg (O) to right upper cross bars (U) using medium bolts (D). Attach leg (O) to lower back support bar (S) with medium bolt (D).

# Assembly Diagram

Model No. D51Z29

## Step 7



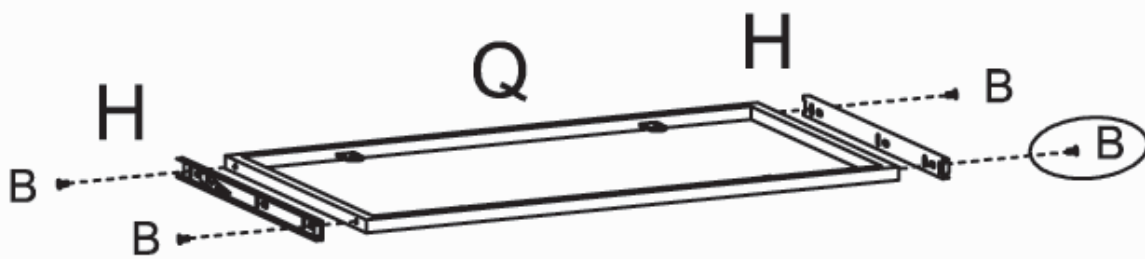
Secure the support wire (V) into legs (O) and (N) by putting the end of the support wire which has the small curve into the hole, as shown in the above circle. Now secure the other end of the support wire (V) into the loop on the lower back cross bar (S). Repeat this step for the other three support wires (V). \*Note: You may need to unscrew support wire (V) hook for proper fitting.

## Step 8

Disassemble the keyboard tray brackets (H) and the keyboard tray arm (I) by pressing down the small lever and pulling up.



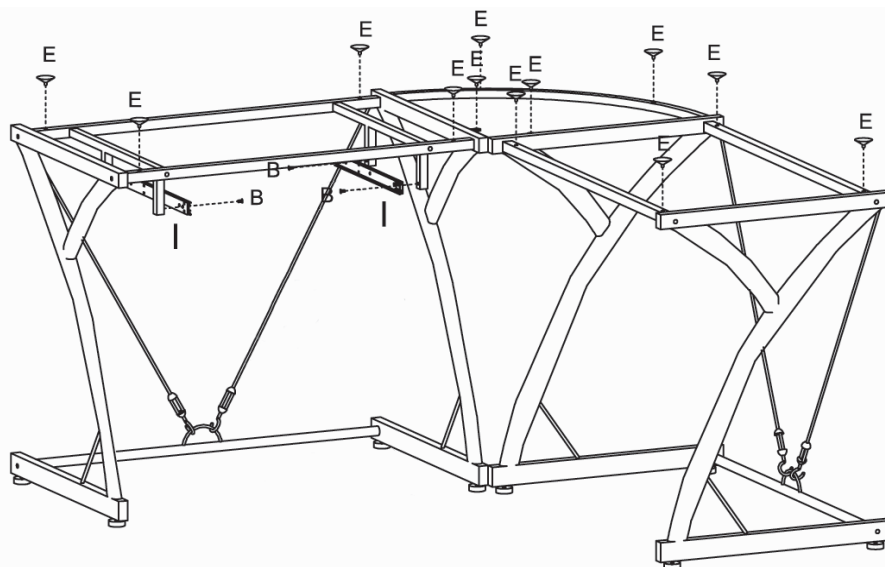
## Step 9



To construct the keyboard tray you need to take the keyboard tray brackets (H) and secure them to the keyboard frame (Q) using small bolts (B) as shown in the circle of the illustration.

# Assembly Diagram

Model No. D51Z29



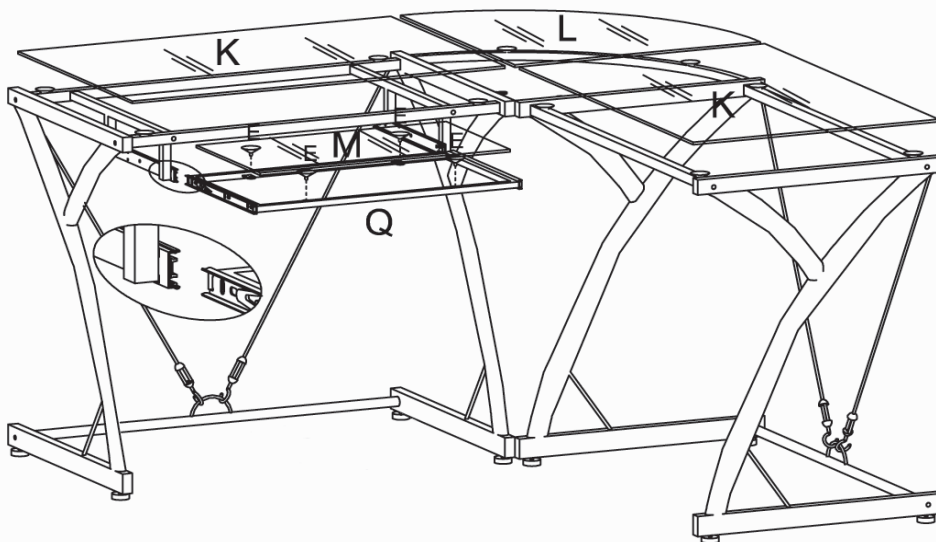
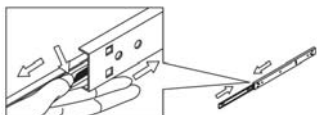
## Step 10

Locate your rubber suction cups (E) and secure them to the table by placing the small ends into the holes on top of the desk frame.

## Step 11

Now secure keyboard tray arm (I) onto both sides of the keyboard tray support frame (J) using small bolts (B). *Ensure the open end of keyboard tray arm (I) faces front side of desk.*

Push down on small lever to allow keyboard bracket to slide along keyboard arm.



## Step 12

Place rubber suction cups (E) on keyboard tray frame (Q) and place keyboard tray glass (M) on top of the rubber suction cups.

## Step 13

Now take the keyboard tray and slide it into the keyboard tray arm (I).

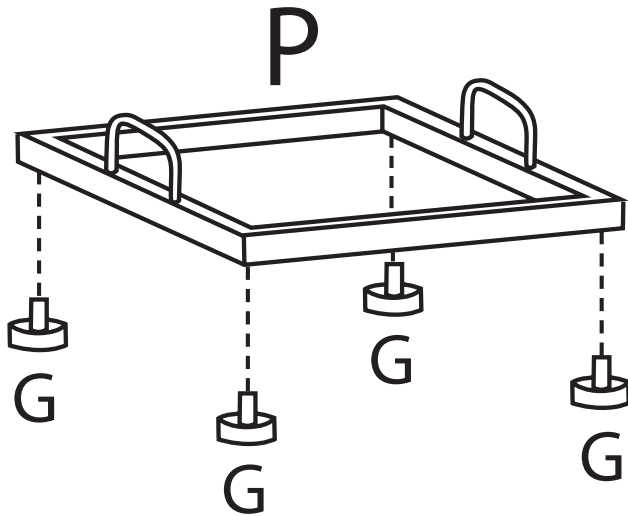
## Step 14

Place desk glass (K) and (L) on top of the desk frame according to the above illustration.

# Assembly Diagram

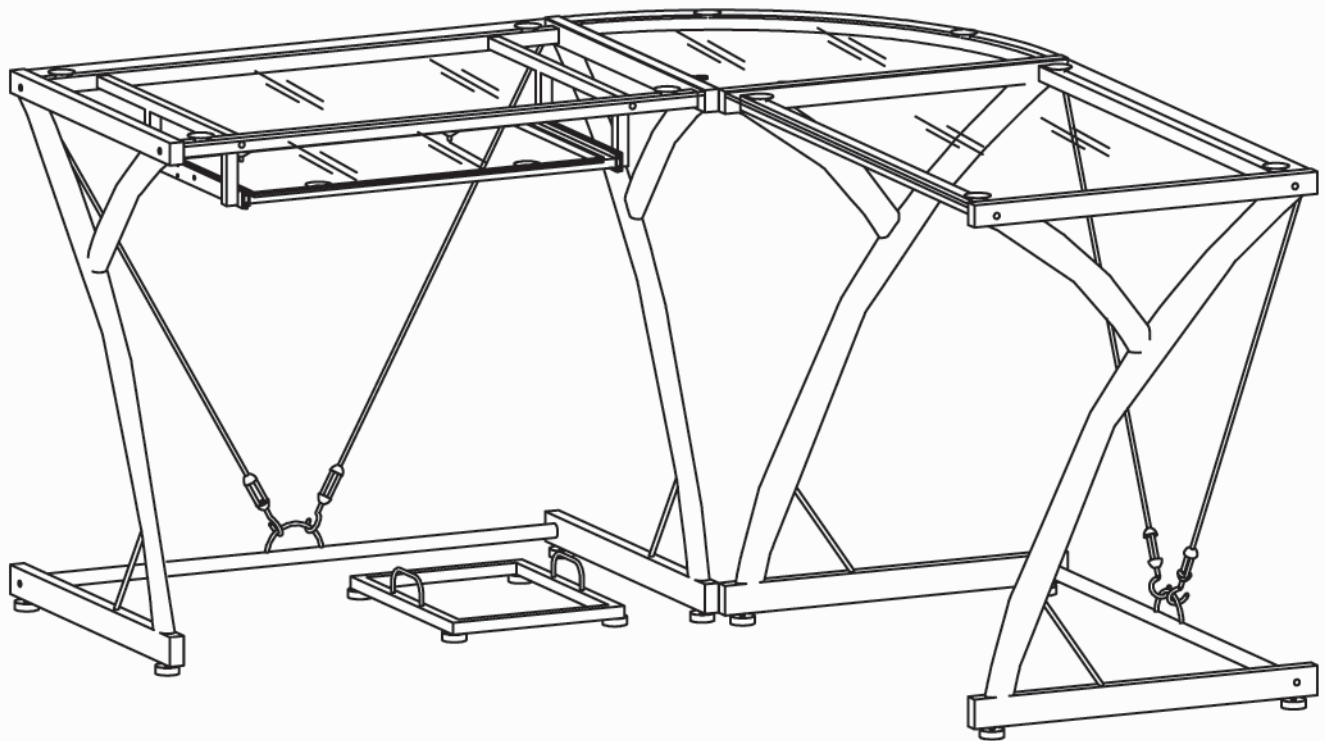
Model No. D51Z29

## Step 12



Find the CPU stand (P) and screw in the CPU feet (G) into the under side of the frame.

## Final Assembly



For our most up to date assembly instructions or to request missing, lost, or broken parts, or for any other customer service issue, please visit our website at [www.walkerredison.com](http://www.walkerredison.com) or call us toll free at 877-207-5906.