

Before starting, your table comes packaged with the **top of the table facing down** in the box as shown in Diagram A. Be aware when removing the styrofoam and straps, the **glass is not fixed to the frame and may fall out** when turned upright.

### Step 1

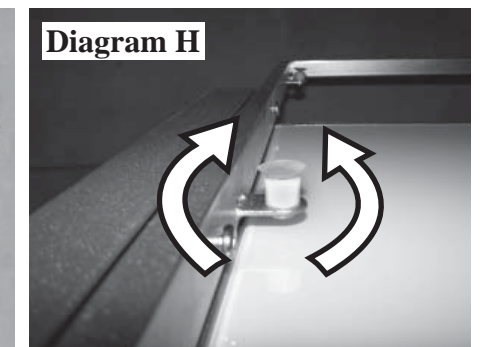
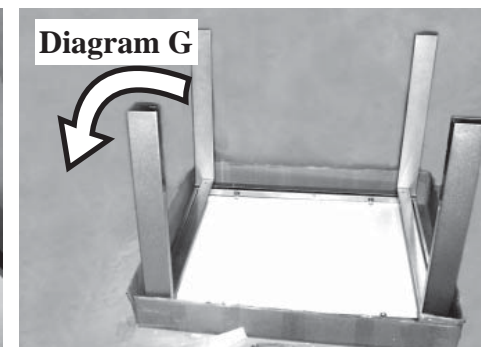
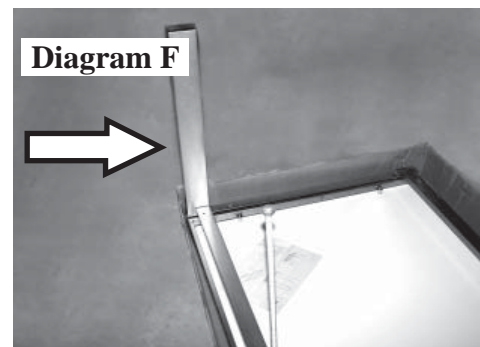
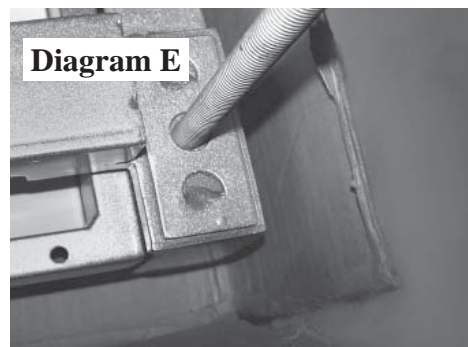
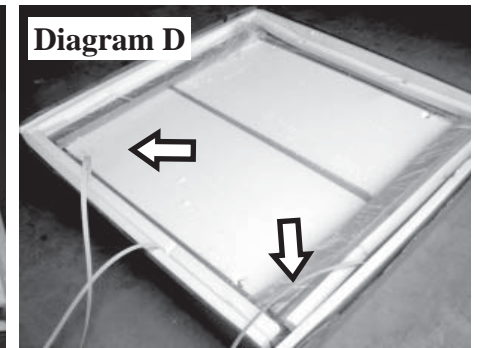
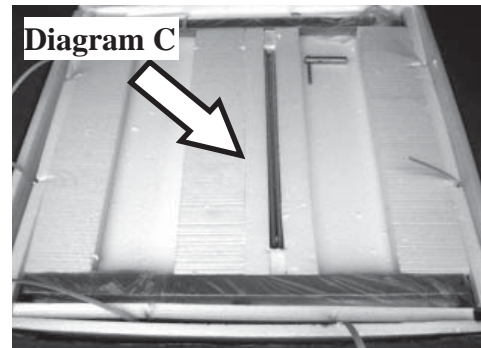
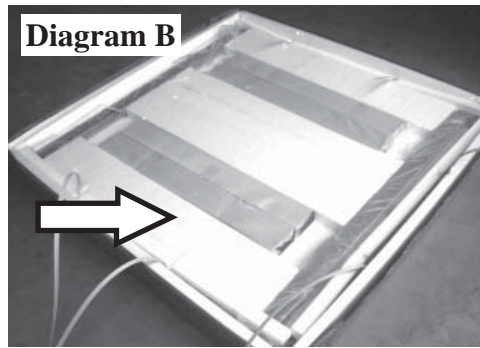
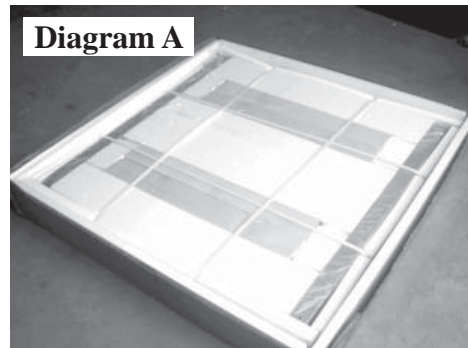
Cut straps and remove legs as shown in Diagrams A and B.

### Step 2

Remove rods and tool as shown in Diagram C.

### Step 3

Remove top layers of styrofoam and plastic so the table is exposed from as seen in Diagram D.



### Step 4

Attach the legs to the table as shown in Diagram E and F. Put rods in the hole on the underside of the table frame. Then slide leg over the rod and screw nut on the end. After nut is tightened securely put the rubber cap on the end over the nut. Repeat the same step for the other three legs.

### Step 5

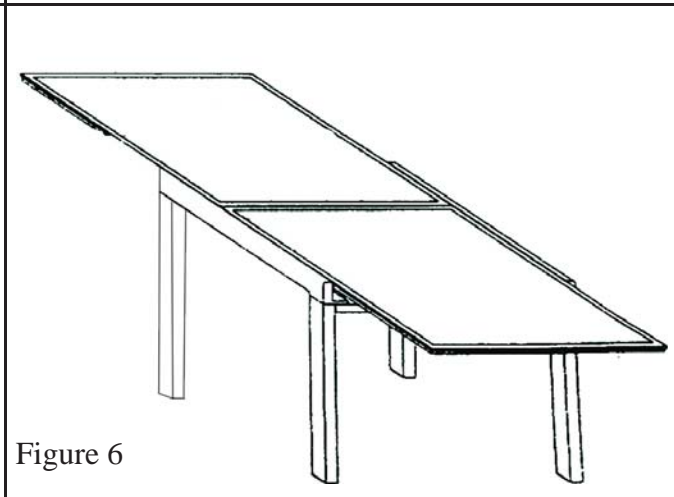
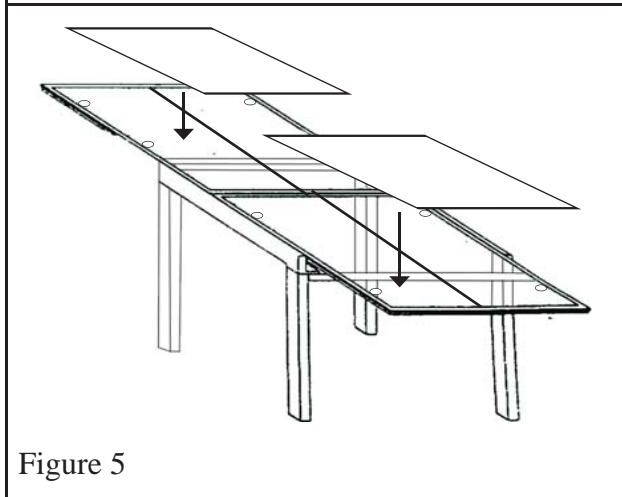
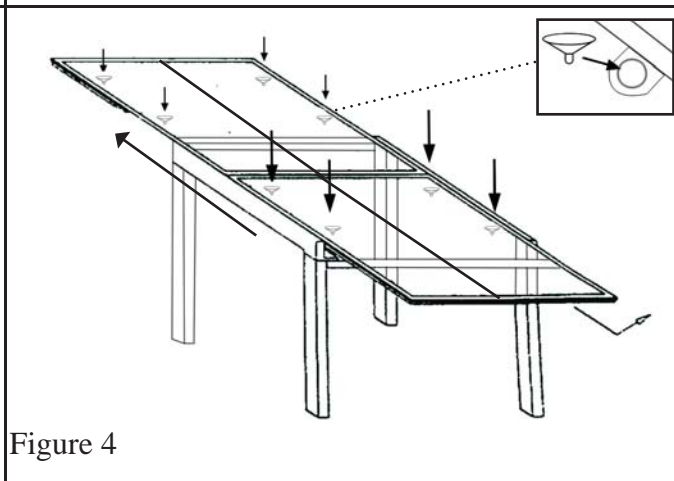
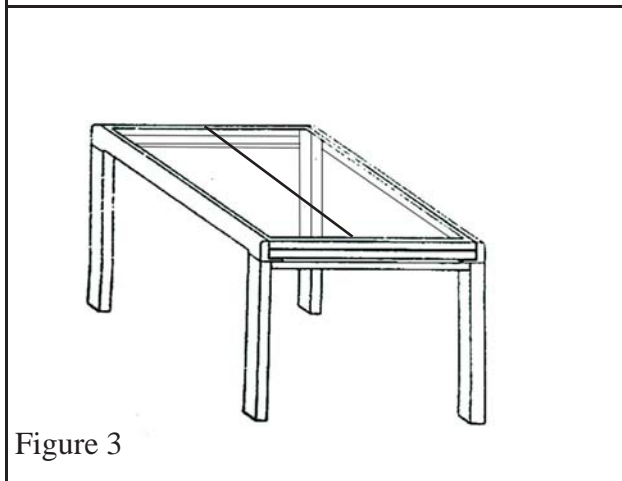
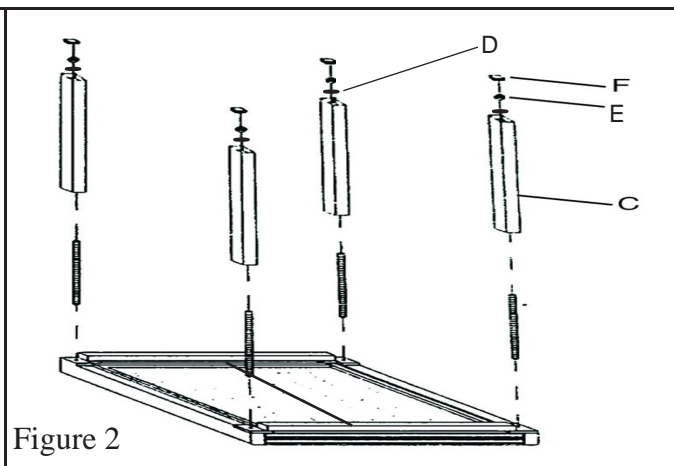
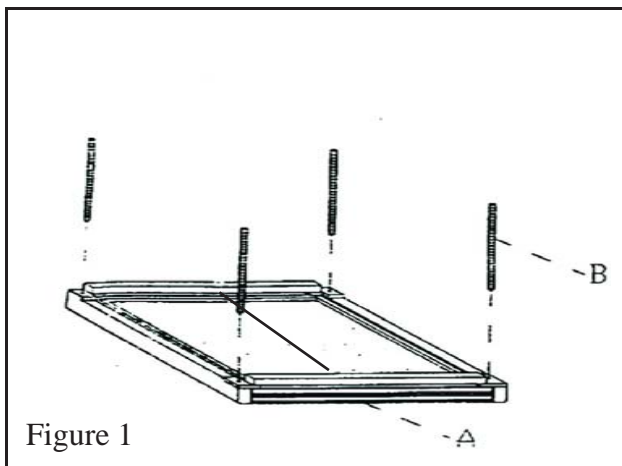
Pull table from box as shown in Diagram G, place table standing up, then place glass on top of the table. **BE CAREFUL** - Glass is not fixed to frame and may fall out when turning table upright - Please have assistance so as to not break the glass tops.

### Step 6

The height of the glass top can be adjusted to the frame by screwing the rubber stopper (beneath the suction cup) up or down. As shown in Diagram H.

# Assembly Diagram

Model No. T40C80 / T40C80B



| Included Parts |  |              |   |
|----------------|--|--------------|---|
| A              |  | Frame        | 1 |
| B              |  | Rods         | 4 |
| C              |  | Legs         | 4 |
| D              |  | Washers      | 4 |
| E              |  | Nuts         | 4 |
| F              |  | Feet         | 4 |
| G              |  | Suction Cups | 8 |
| H              |  | Glass        | 2 |
| I              |  | Wrench       | 1 |

\* Some extras parts have been included.

