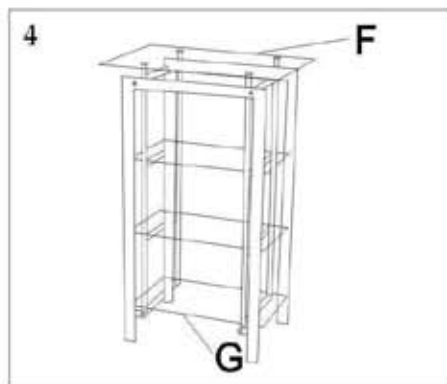
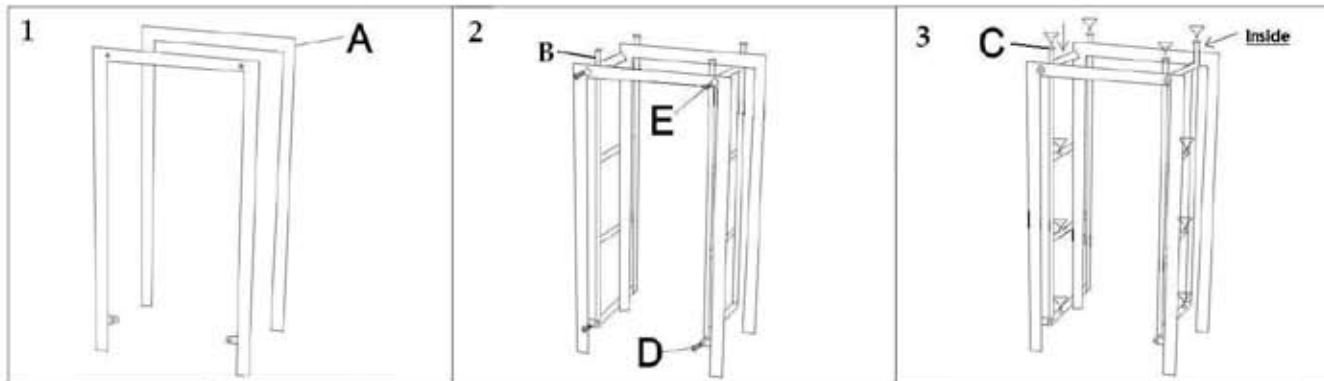


# Assembly Diagram



Model No: V24Y34, V24Y34B



A		Frame	2
B		Frame	2
C		Suction Cup	16
D		3/4" Screw	4
E		1" Screw	4
F		Top Glass	1
G		Shelf glass	3
H		Wrench	1

# Assembly Instructions

## V24Y34, V24Y34B

**Important:** Make sure all parts are available for assembly  
Follow instruction steps very carefully

Step 1: Hold part “A” upright with lower bracket facing inside

Step 2: Take part “B” and place it at a 90 degree angle and make sure that the vertical running bars are on the inside instead of the outside.  
See Diagram  
Screw in “E” at the top  
Screw in “D” at the bottom  
Use same process for other side

**Warning: Tighten but be careful to not over tighten**

Step 3: Put “C” in the holes on each bar and on top to protect the glass from scratching

Step 4: Place “F” on the top then place all three of the glass panels “G” on the three bottom shelves

*For our most up to date assembly instructions or to request missing, lost, or broken parts, or for any other customer service issue, please visit our website at [www.walkeredison.com](http://www.walkeredison.com) or call us at 877-207-5906 .*

