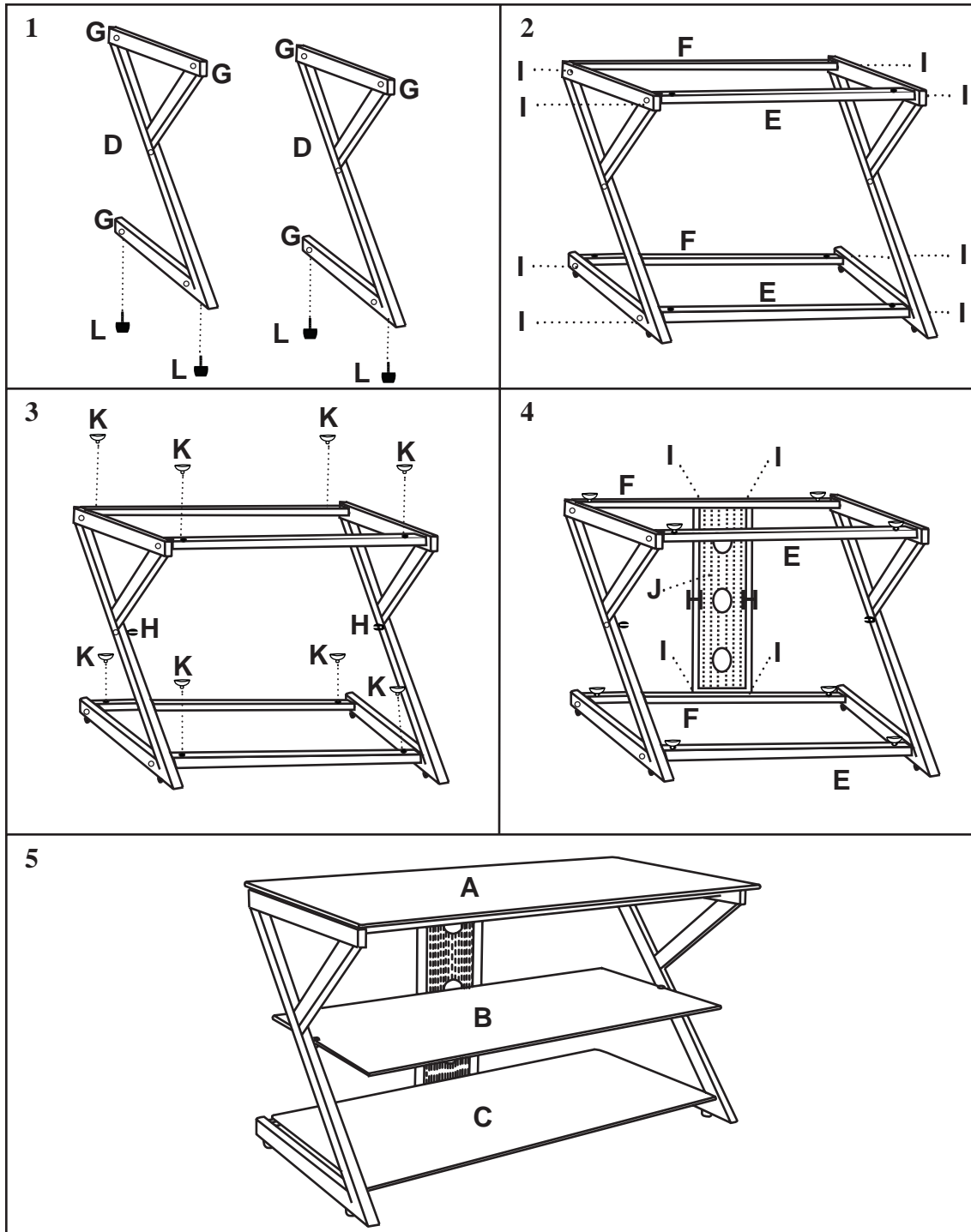


V42Y21B

Assembly Diagram



| | | | |
|----------|--|-------------------------------|-----------|
| A | | Top Glass (42" x 20") | 1 |
| B | | Middle Glass (38.75" x 16.5") | 1 |
| C | | Bottom Glass (39" x 17.75") | 1 |
| D | | Frame | 2 |
| E | | Front Cross Bar | 2 |
| F | | Back Cross Bar | 2 |
| G | | End Cap | 6 |
| H | | Mounts | 4 |
| I | | Hex Screws | 12 |
| J | | Cable Management | 1 |
| K | | Suction Cups | 10 |
| L | | Feet | 4 |
| M | | Wrench | 1 |

*Some extra parts have been included with this product, including spare rubber rings for the cable management system

Assembly Instructions

V42Y21B

Follow these instructions precisely to ensure proper assembly of this product

Step 1: Place end caps (G) on frames (D).

Screw feet (L) into bottom frames (D).

Step 2: Attach back cross bars (F) to back of frames (D) using hex screws (I)

Ensure the holes near middle of (F) face out toward back of the stand.

Attach front cross bars (E) to front of frames (D) using hex screws (I).

Tighten all hex screws (I) with wrench (M).

Step 3: Place suction cups (K) in the holes on cross bars (E & F).

Attach mounts (H) to frames (D). Tighten with wrench (M).

Ensure mount slots are aligned horizontally to the floor.

Step 4: Attach cable management (J) to back cross bars (F) with hex screws (I).

Attach mounts (H) to middle of cable management (J) with wrench (M).

Ensure mount slots are aligned horizontally to the floor.

Step 5: Place top glass (A) on squarely on top of leg assembly.

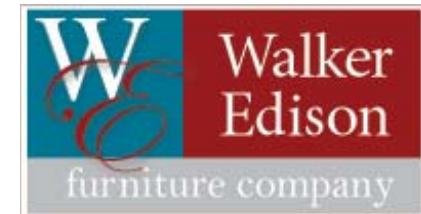
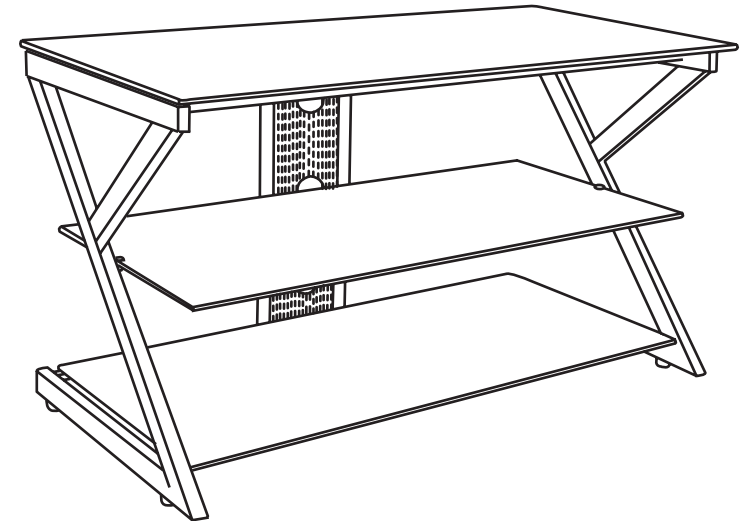
Top glass (A) is the largest of the three pieces of glass.

Place bottom glass (B) squarely on bottom of leg assembly.

Slide middle glass (C) carefully into all mounts (H).

Squarely position glass within the mounts carefully.

Gently tighten screw on bottom of the mounts.



WARNING:

**DO NOT STAND, SIT, OR CLIMB ON THIS PRODUCT
REMOVE GLASS BEFORE MOVING THIS PRODUCT**

For our most up to date instructions, to request missing, lost, or broken parts, or for any other Customer Service issues, please visit our website at www.walkerredison.com or call us at 877-207-5906.