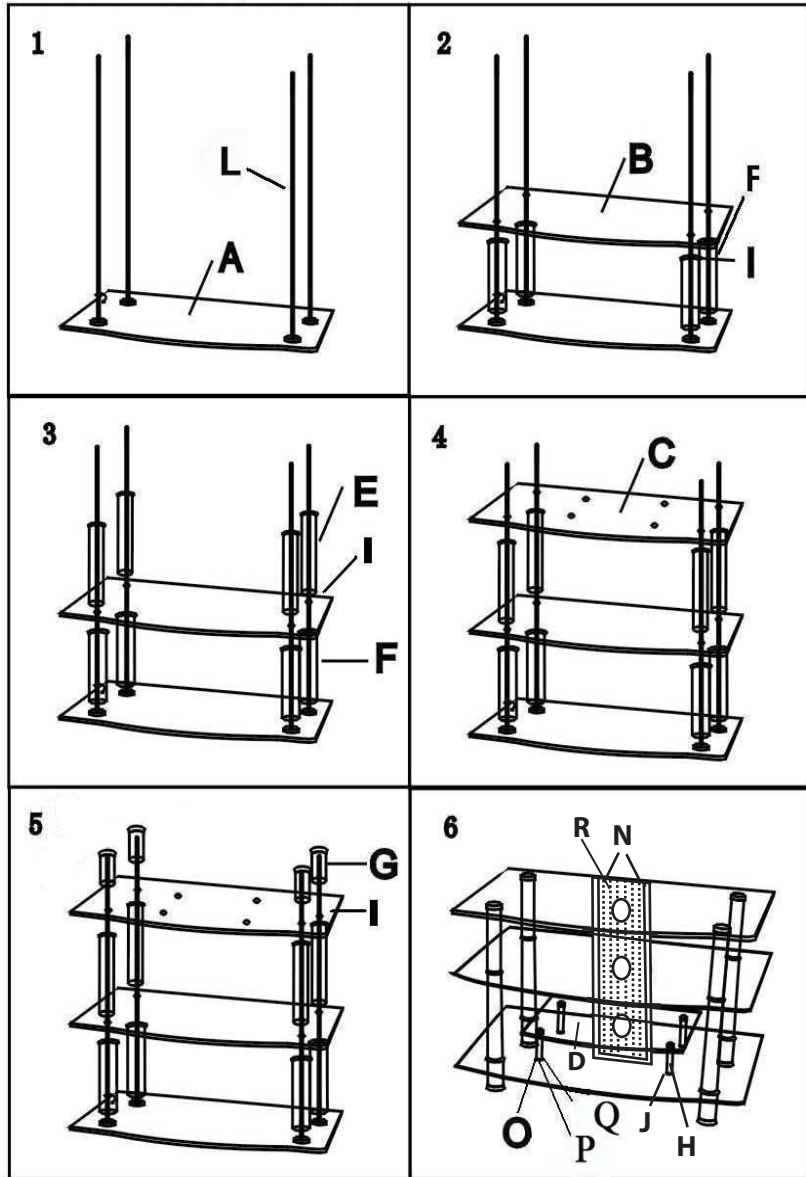


Assembly Diagram



Model No: V42Y714, V42Y714B, V42Y714CB



A		Top Glass	1
B		Middle Glass	1
C		Bottom Glass	1
D		Small Glass	1
E		10" Cylinder	4
F		7" Cylinder	4
G		3" Cylinder	4
H		4" Cylinder	4
I		Rings	16
J		1" Rings	4
K		Cap	4
L		22" Rod	4
M		5" Rod	4
N		Rods (xs), Nuts	2
O		1" Washer	4
P		Rubber Washer	4
Q		Bolt	8
R		Cable Mgmt.	1
S		Wrench	1

Note: Black (B) and Clear Black (CB) models comes with both black and chrome rings.

Assembly Diagrams

V42Y714, V42Y714B, V42Y714CB

Important: Make sure all parts are available for assembly
Follow instructions very carefully

Step 1: Lay glass (A) upside down on a soft surface
Screw in (L) on all plates on glass (A)

Step 2: Place cylinder (F) on all four plates
Put rings (I) on top of all cylinders
Carefully place glass (B) on all cylinders

Step 3: Place another set of rings (I) down
Put cylinder (E) on all rods “L”

Step 4: Place rings (I) on all cylinders
Place glass (C) on top of rings

Step 5: Place last set of rings (I) on all rods “L”
Screw cylinders (G) on all rods (L)
Place caps (K) on cylinder (G) *(if necessary)*

Warning: Tighten but be careful to not over tighten

Step 6: Insert screws (M) to glass (D)
Place cylinder (H) on screw (M)
Place rings (J) on top of cylinder (H)
Place screw (M) through holes in shelf (C)
Tighten using rubber washer (P), washer (O) and nut (Q)

Step 7: Attach Cable Management (R) to top glass (A) using Rods and Nuts (N). Tighten nuts using wrench (S).

Step 8: Turn upright very carefully.



For our most up to date instruction, to request missing, lost, or broken parts, or for any other Customer Service issues, please visit our website at www.walkerredison.com or call us at 877-207-5906.



Additional Info

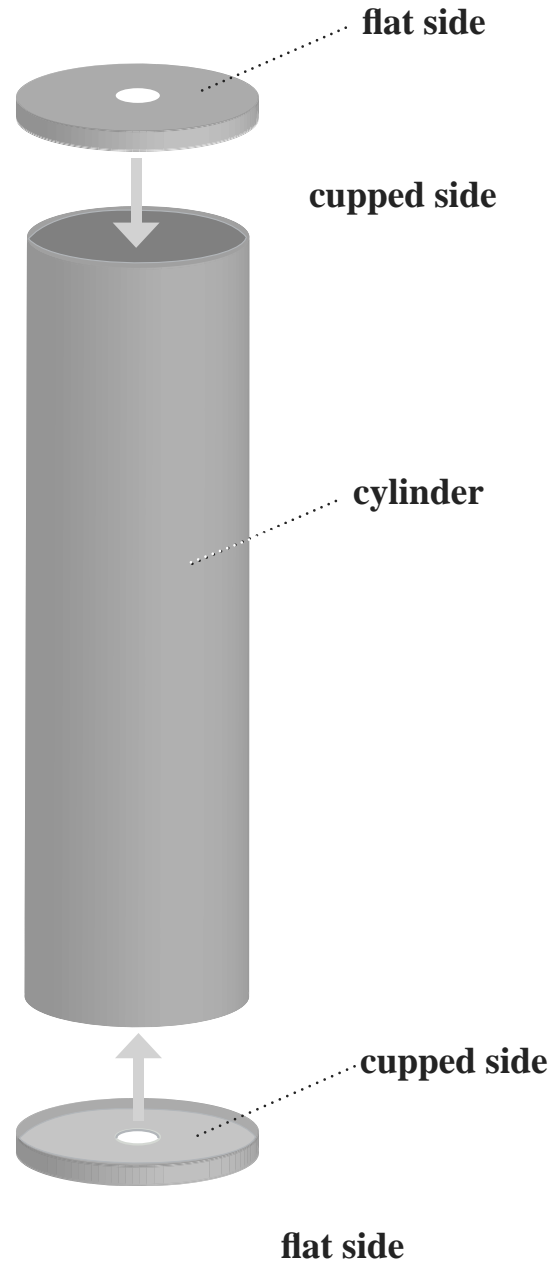
While assembling your stand, please note that the decorative rings require correct placement on the cylinders for the stand to fit together properly.

Each decorative ring has a flat side and a cupped side.

The flat side of the ring must always face toward the glass.

The cupped side of the ring must always face toward the cylinder and be seated completely against the cylinder.

For our most up to date instruction, to request missing, lost, or broken parts, or for any other Customer Service issues, please visit our website at www.walkeredison.com or call us at 877-207-5906.



finished cylinder assembly