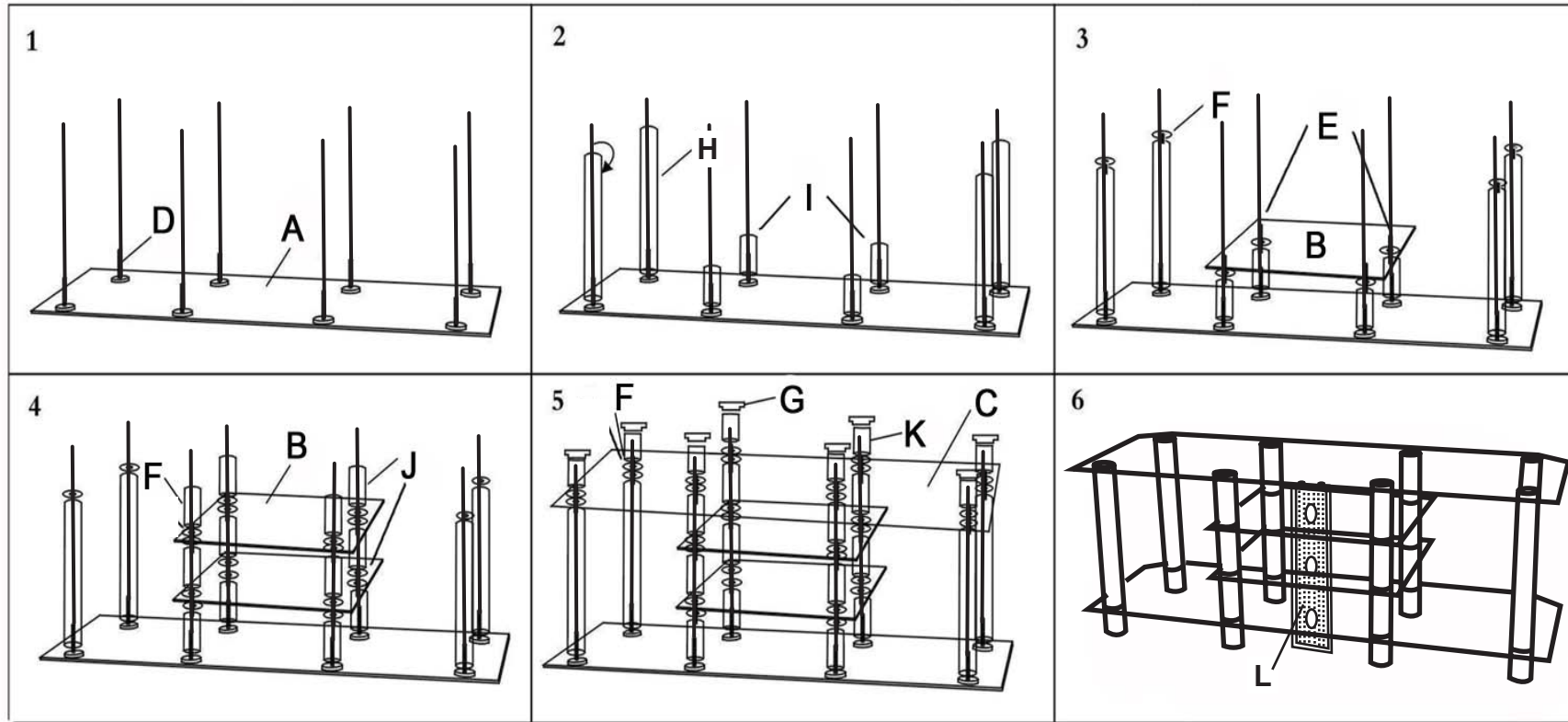


Assembly Diagram



Model No: V60Y712, V60Y712B, V60Y712CB



A	Top Glass		1	F	Decorative Rings		32	J	6" Cylinder		8
B	Middle Glass		3	G	Caps Attached to (K)		8	K	3" Cylinder		8
C	Bottom Glass		1	H	19" Cylinder		4	L	Cable Mgmt		1
D	Rods		8	I	7" Cylinder		4	M	Rods & Nuts		2
E	Wrench		1								

****NOTE:** Some parts may come pre-assembled for shipping purposes and will need to be dis-assembled for assembly. Extra parts have also been included. Both black (B) and clear black (CB) models come with both chrome and black rings sets ("c")



Additional Info

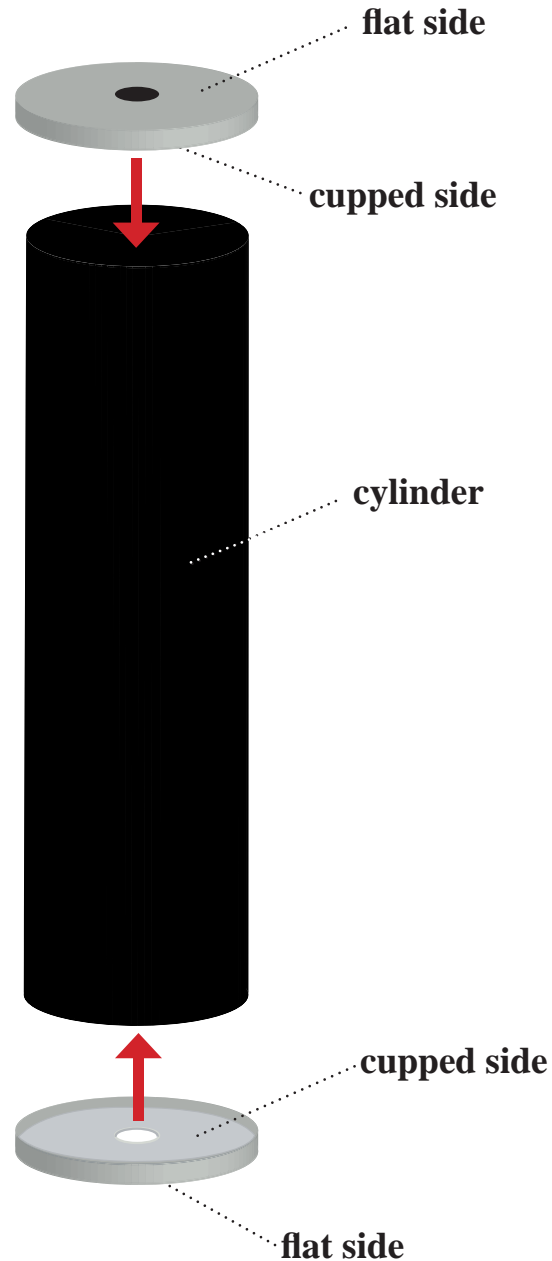
While assembling your stand, please note that the decorative rings require correct placement on the cylinders for the stand to fit together properly.

Each decorative ring has a flat side and a cupped side.

The flat side of the ring must always face toward the glass.

The cupped side of the ring must always face toward the cylinder and be seated completely against the cylinder.

For our most up to date instruction, to request missing, lost, or broken parts, or for any other Customer Service issues, please visit our website at www.walkerredison.com or call us at 877-207-5906.



finished cylinder assembly

