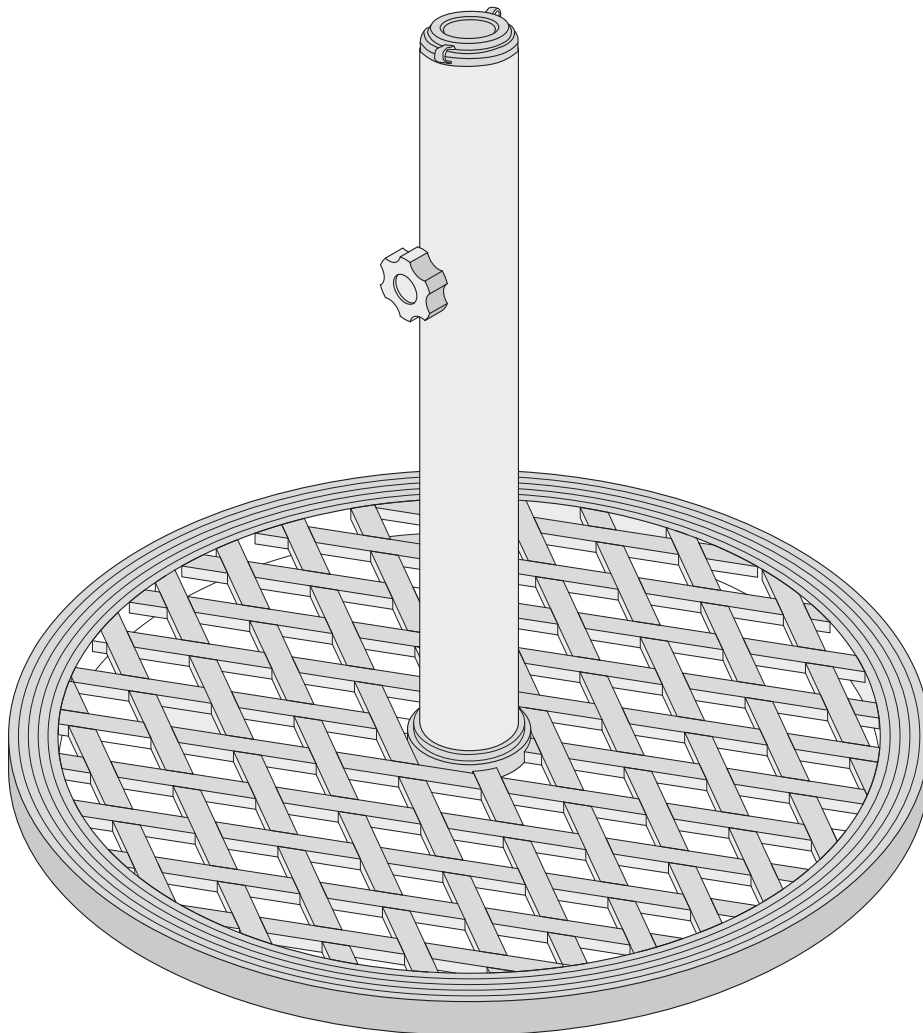


W Walker
E Edison
furniture company

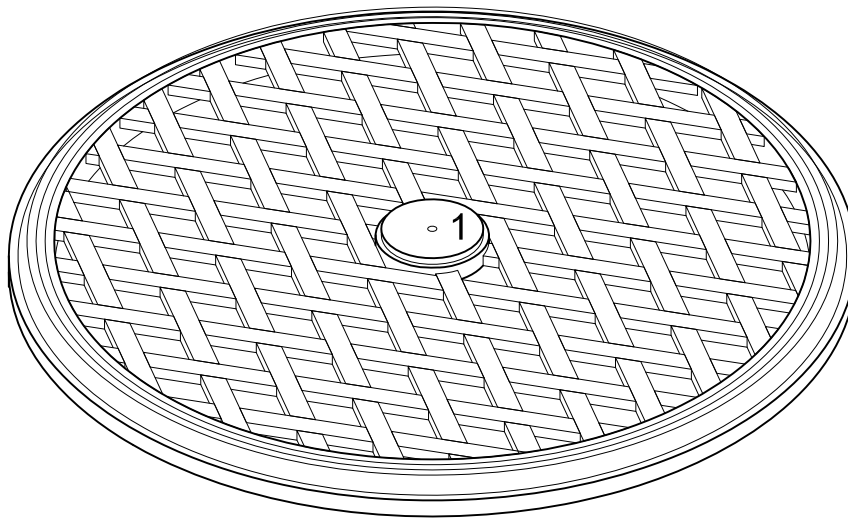
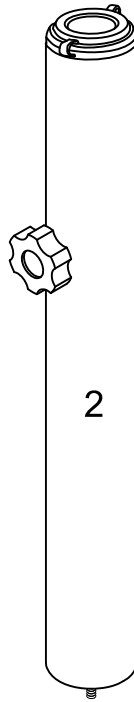
Item # : OMUBRBL/OMUBRBR
Assembly Instructions



For our most current instructions, to request missing, lost or broken parts, or for any other Customer Service issues, please visit our website at www.walkeredison.com or call us at 877-207-5906.

Revised 04/2013

Parts List

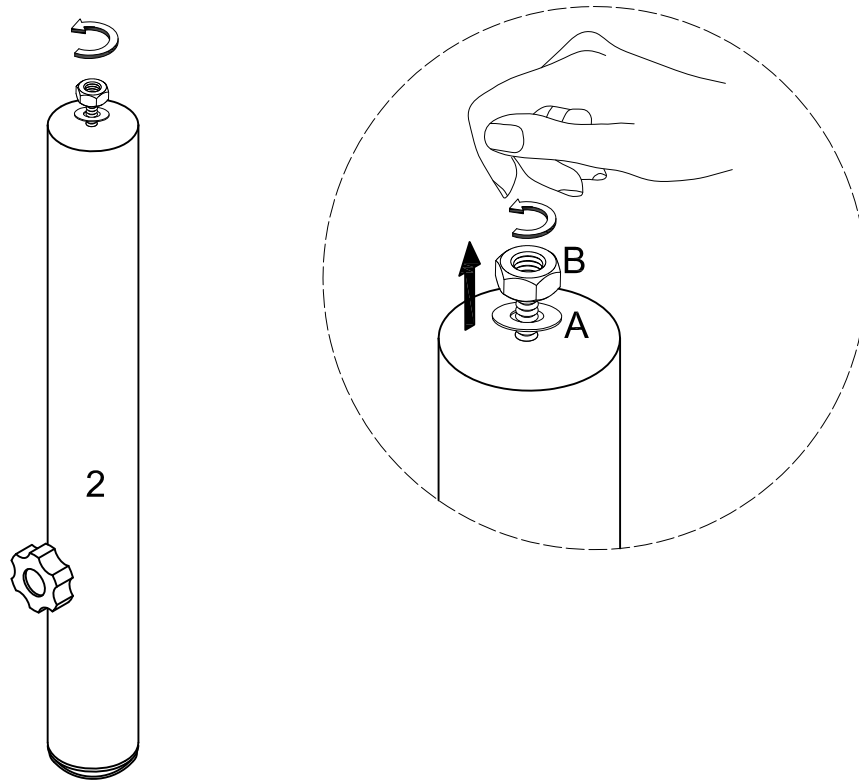


Hardware List

A		Washer	1 pc
B		Nut	1 pc

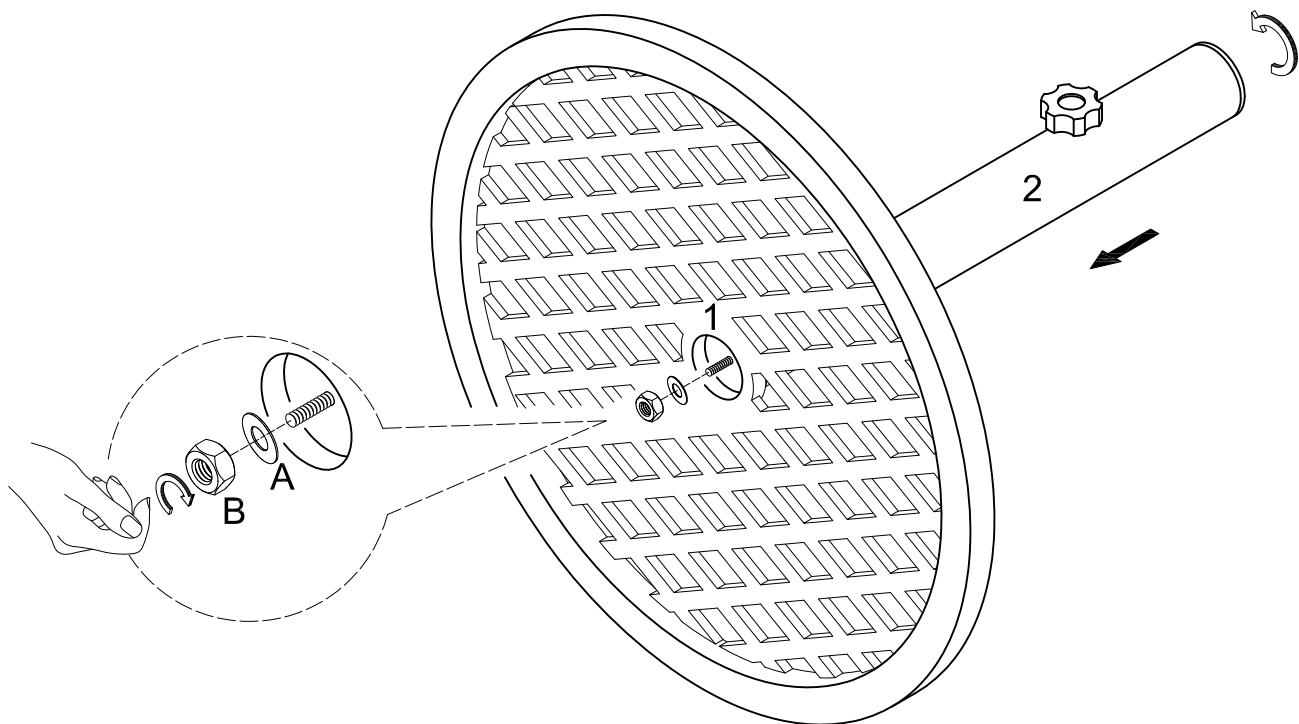
*The hardware quantities listed above are required for proper assembly.
Some extra hardware may also have been included.*

Step 1



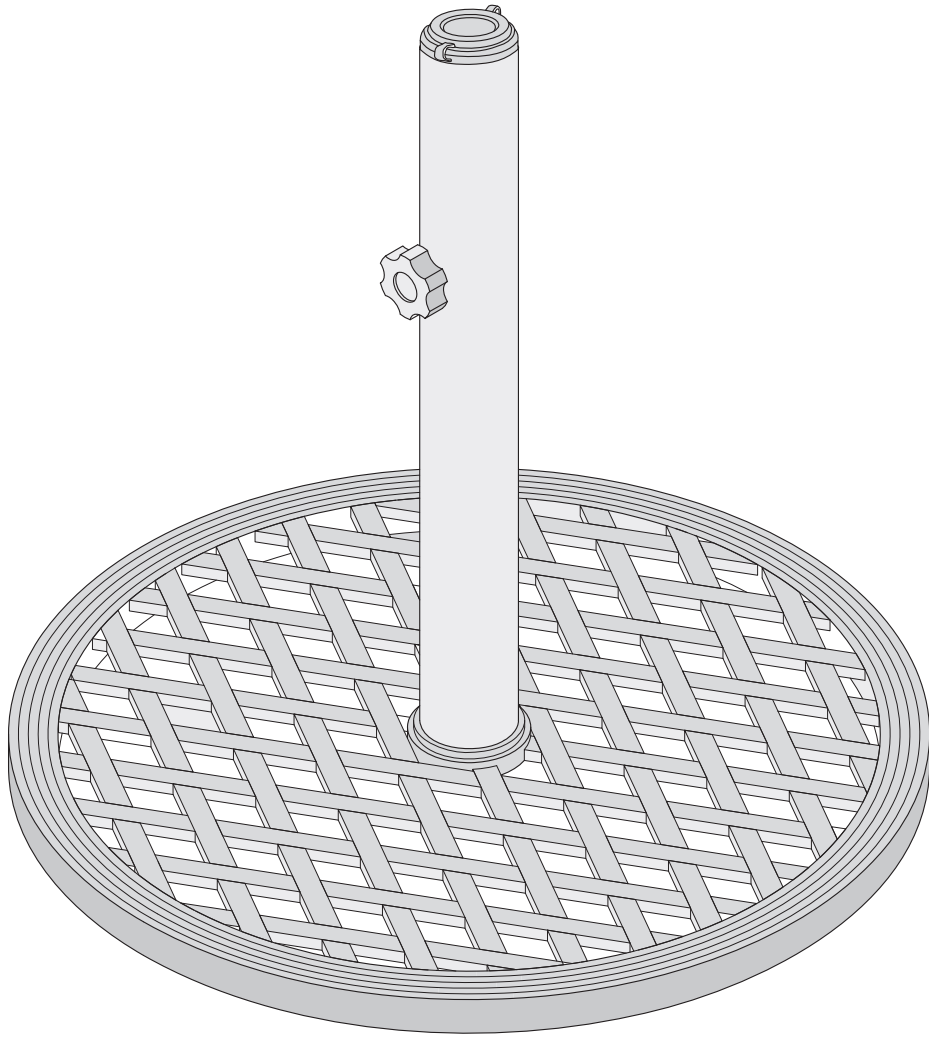
Loosen and remove nut (B) and washer (A) from pole (2).

Step 2



Insert pole (2) into stand base (1). Secure pole (2) using nut (B) and washer (A). Tighten nut (B) firmly.

Step 3



Final Assembly