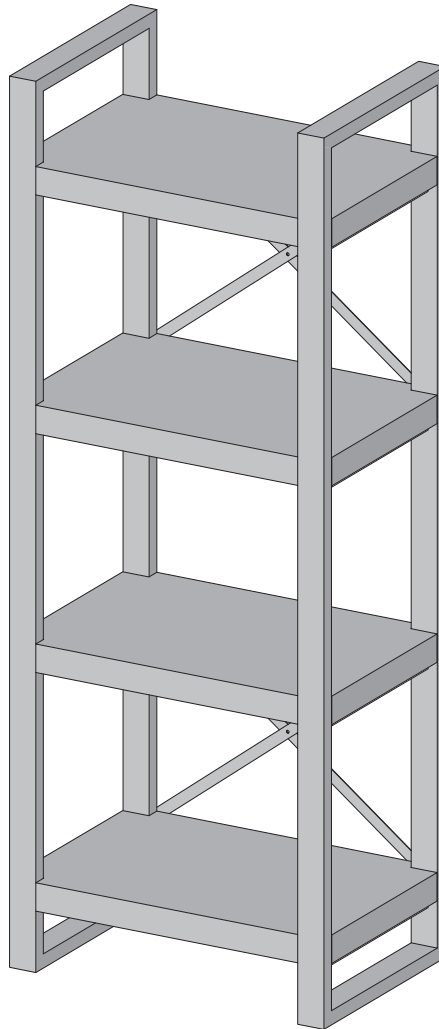


W Walker
E Edison
furniture company

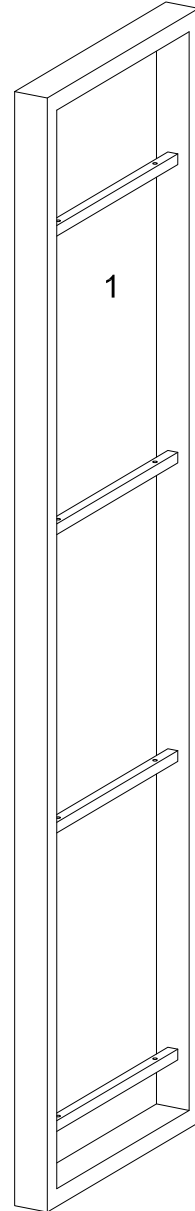
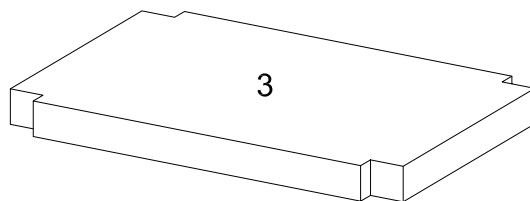
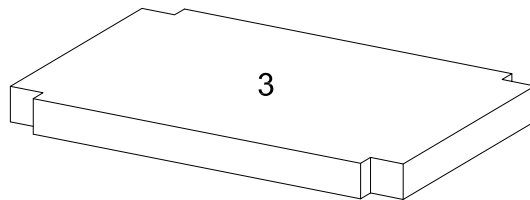
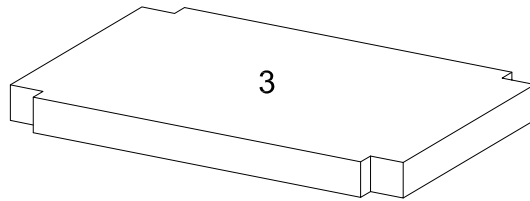
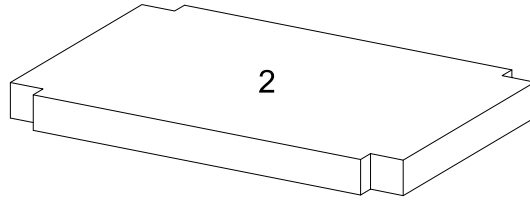
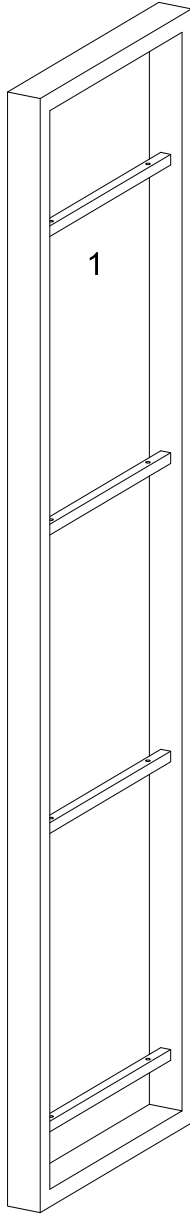
Item # : W62CGMTCL
Assembly Instructions




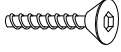
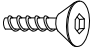


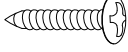
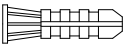
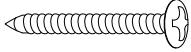

For our most current instructions, to request missing, lost or broken parts, or for any other Customer Service issues, please visit our website at www.walkerredison.com or call us at 877-207-5906.

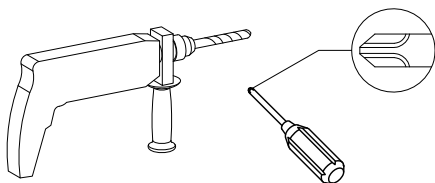
Revised 05/2014

Parts List



Hardware List

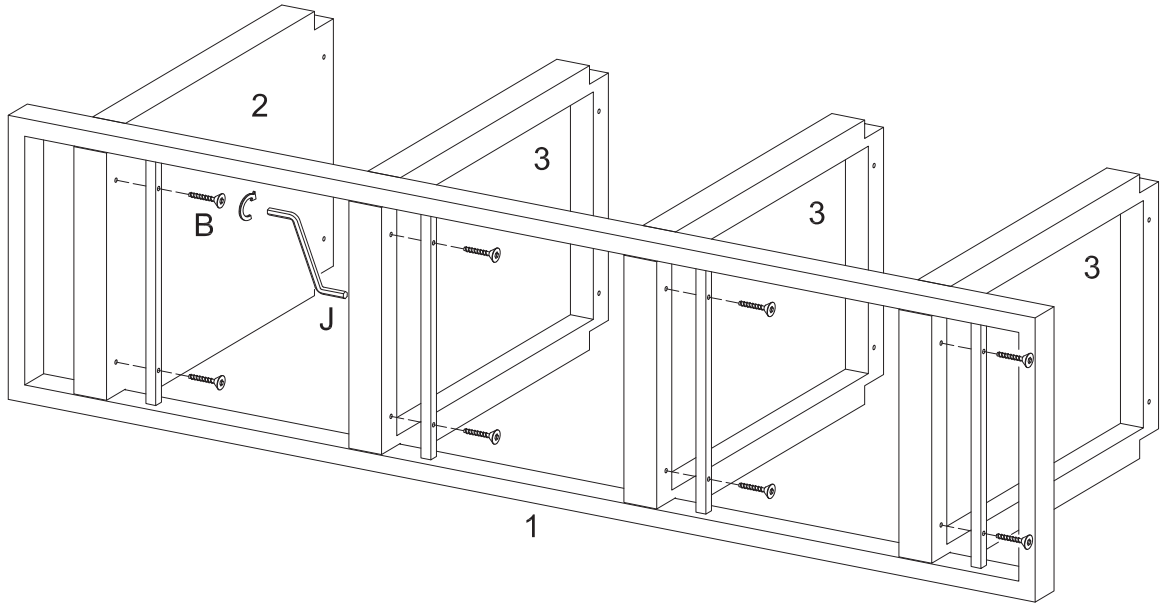
A			Cross bar	4 pcs
B		M6*25mm	Screw	16 pcs
C		M6*15mm	Screw	10 pcs
D			Nut	2 pcs
E			Cloth belt	1 pc
F			Screw	1 pc
G			Plastic	1 pc
H			Screw	1 pc
J			Wrench	1 pc



Impact drill and philips head screwdriver required for assembly (not included)

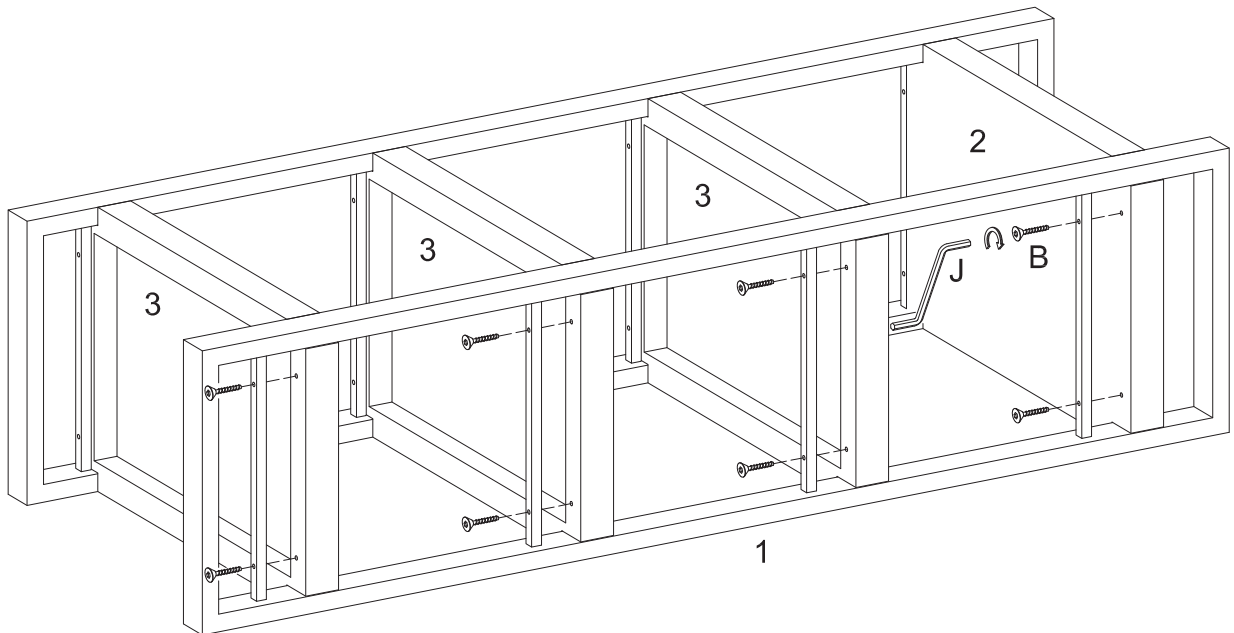
*The hardware quantities listed above are required for proper assembly.
Some extra hardware may also have been included.*

Step 1



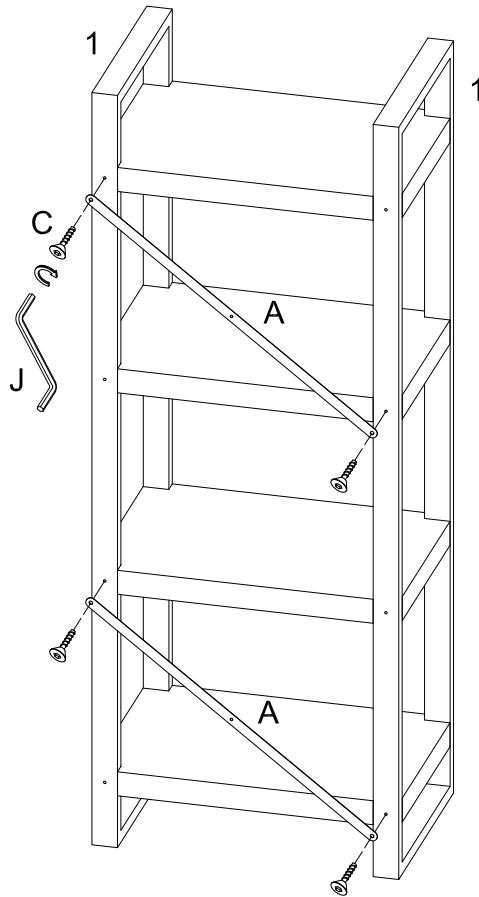
Place the Metal Side Panel (1) Horizontally , assamble the Shelf (2) for the the top and Shelf (3) after by using Screw (B) and the Wrench (J)

Step 2



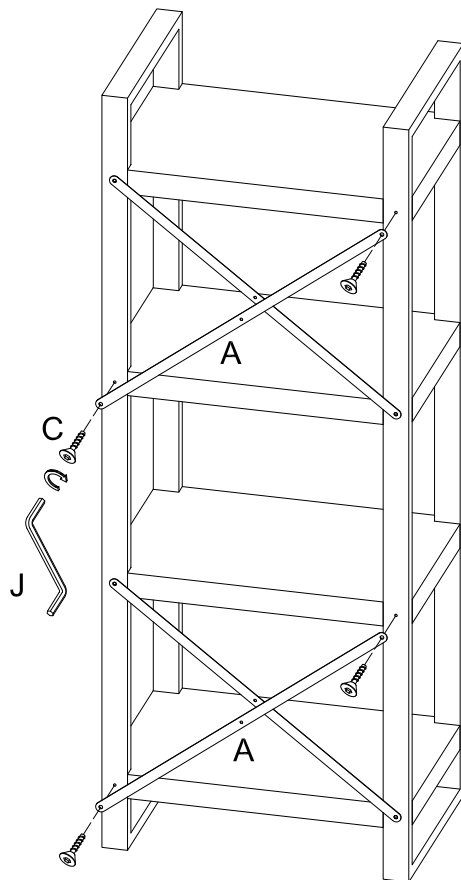
Repeat #Step "1" for the other size Panel (1)

Step 3



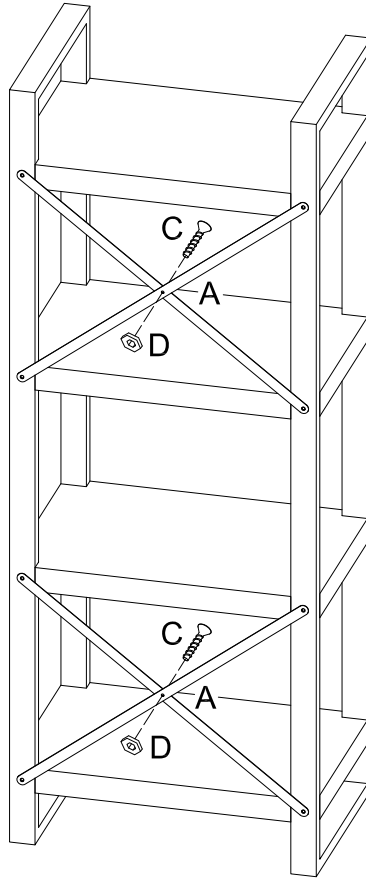
Stand up the Shelf and Secure the Cross Bar (A) at the back by using Screw (C) and Wrench (J) for one side.

Step 4



Repeat #Step "3" for the other side.

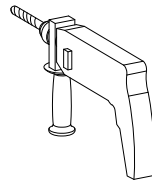
Step 5



To ensure the security for the Cross Bar (A), please put Screw (C) and Nut (D) to secure it

Step 6

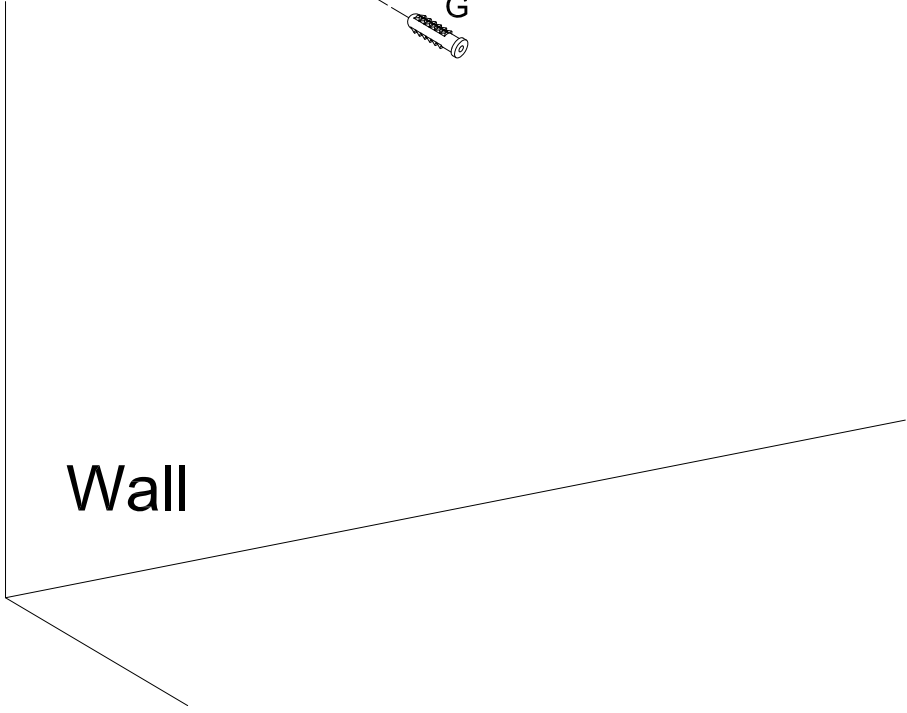
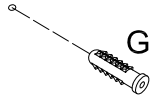
*Optional for Step #6-9
(Wall Attachment)*



Wall

(Optional) For better security, Shelf can be attached to the Wall by using the Cloth Belt (E), please drill a hole in the Wall which 3cm-5cm higher than the Shelf (2)

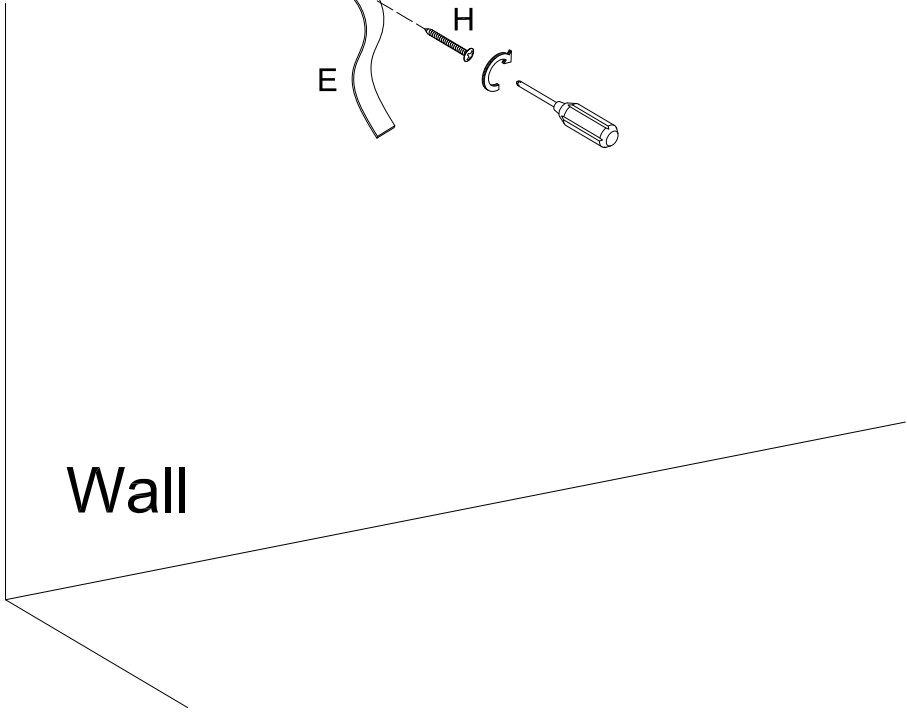
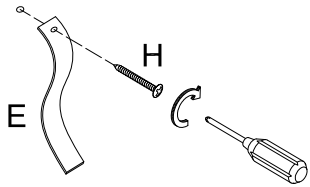
Step 7



Wall

Put Plastic (G) into the Drilled hole

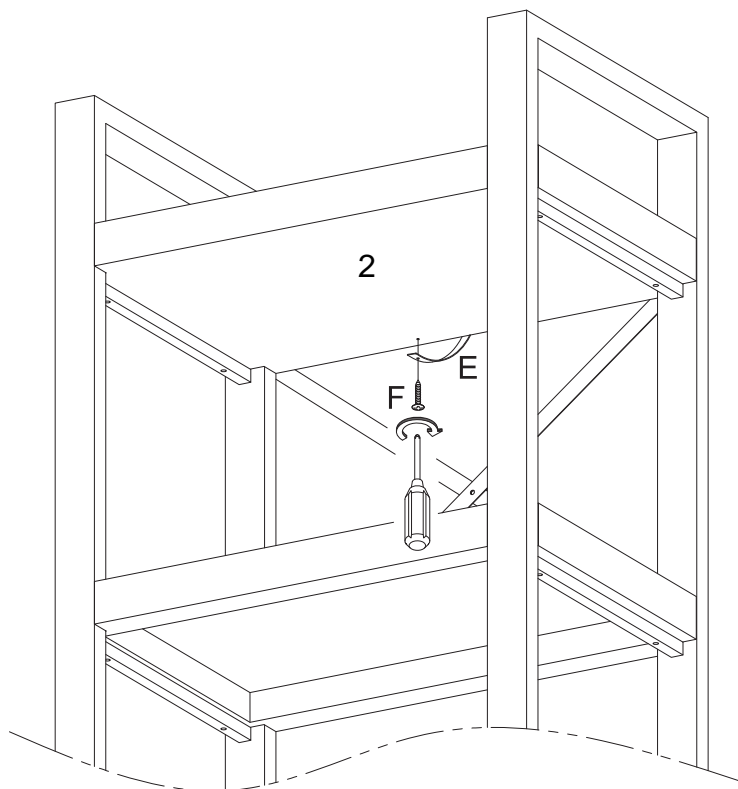
Step 8



Wall

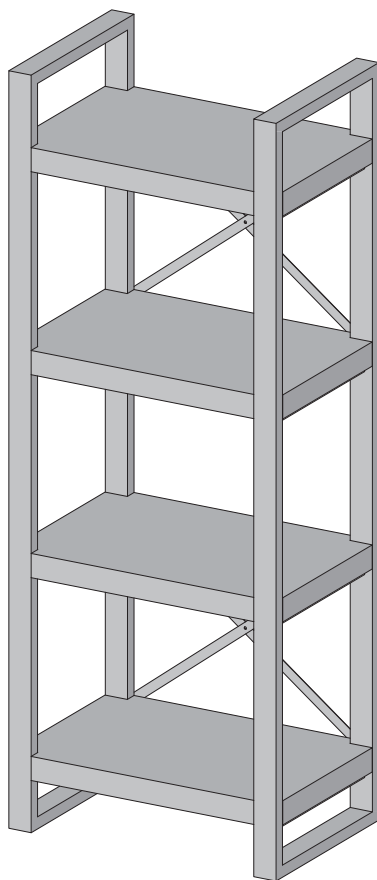
Put the Cloth Belt (E) on the Wall and secure it by Screw (H) and the Screw Driver

Step 9



Attach the other End of the Cloth Belt (E) under the bottom of Panel (2) by Screw (F) and Screw driver

Step 10



Final Assembly