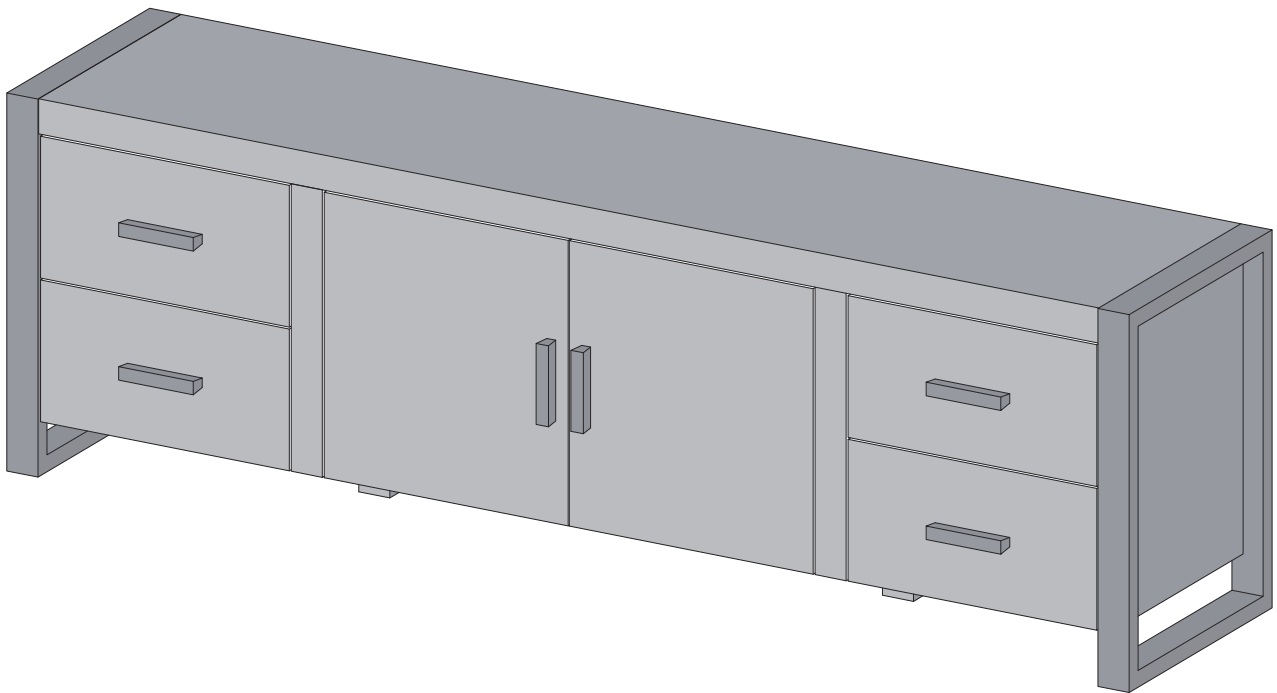


**W** Walker  
Edison  
furniture company

Item # :W70UBC22  
Assembly Instructions

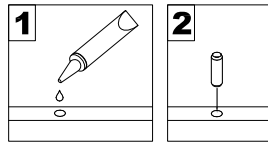


*For our most current instructions, to request missing, lost or broken parts, or for any other Customer Service issues, please visit our website at [www.walkerredison.com](http://www.walkerredison.com) or call us at 877-207-5906.*

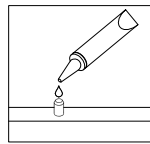
Revised 06/2014

# General Assembly Guidelines

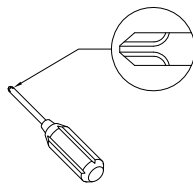
- I. Ensure that all parts and hardware are available before beginning assembly.
- II. Follow each step carefully to ensure the proper assembly of this product.
- III. Two people are recommended for ease in the assembly of this product.
- IV. The three main types of hardware used to assemble this product are : wood dowels , screws and bolts.
- V. The provided glue is to secure wood dowels in place . When first inserting dowels , locate the appropriate hole for the dowel , place a small amount of glue in the hole and insert the dowel . Wipe away excess glue immediately.



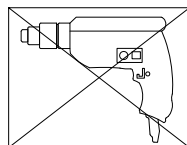
In future assembly steps when dowels are necessary to attach assembly parts together , place a small amount of glue on the end of the dowel before attaching parts together . Wipe away excess glue immediately.



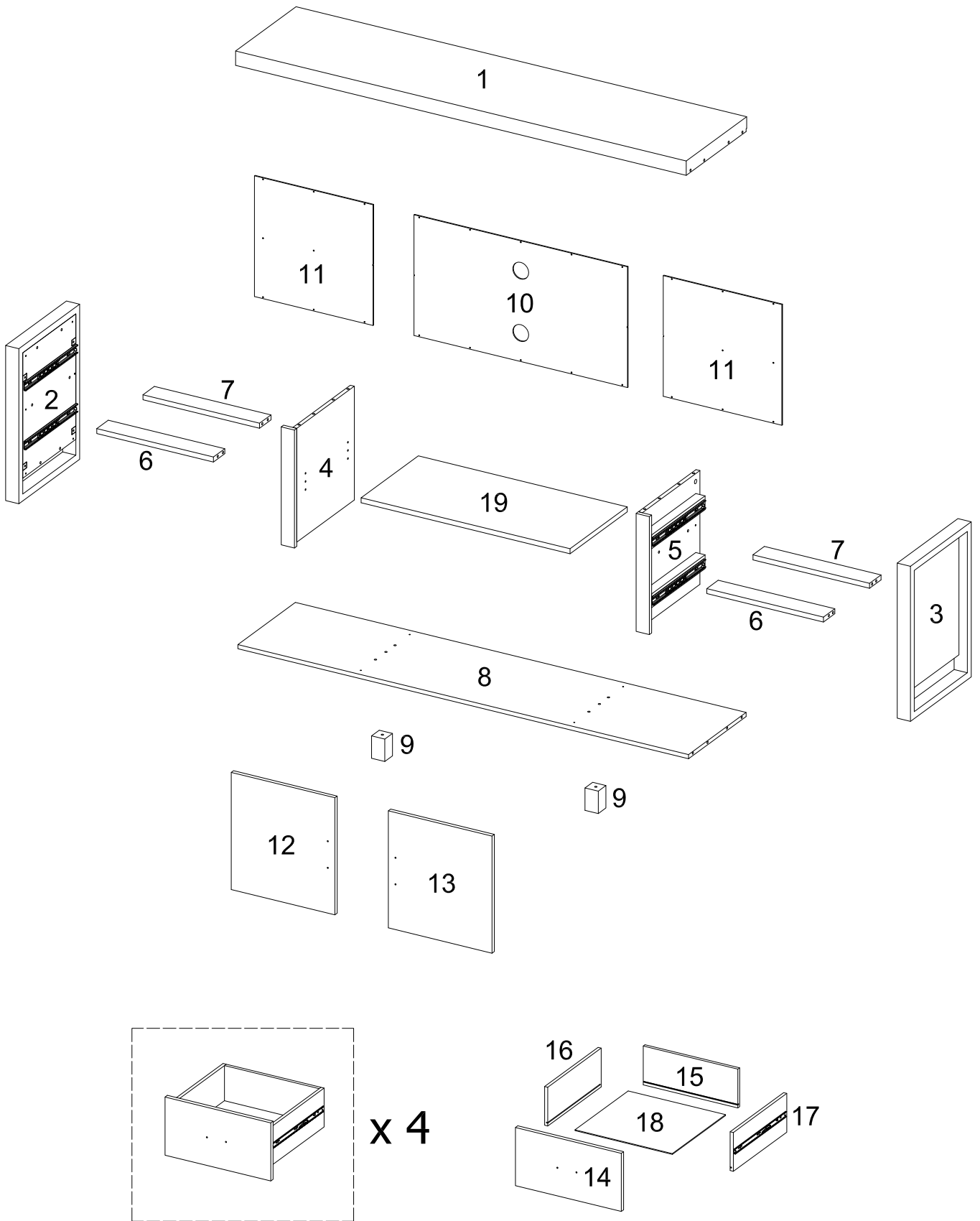
- VI. A Phillips head screwdriver is required for the assembly of this product .







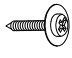
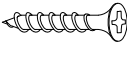
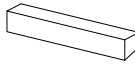
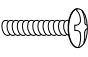
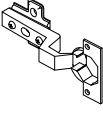

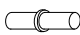
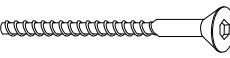
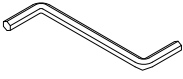

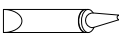
- VII. Power tools should not be used to assemble this product .

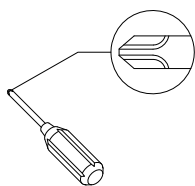


# Parts List



# Hardware List

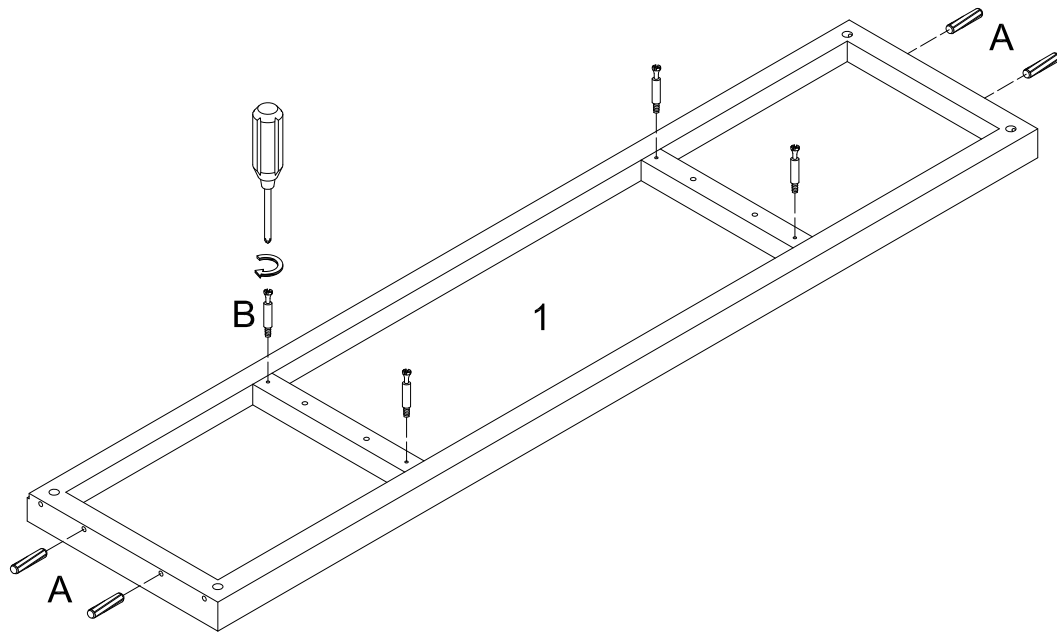
A		Ø8x30mm	Wooden dowel	24 pcs
B			Cam bolt	36 pcs
C		Ø15x11mm	Cam lock	20 pcs
D		Ø15x9.5mm	Cam lock	16 pcs
E		Ø7x3x12mm	Screw	28 pcs
F		Ø8x4x32mm	Screw	16 pcs
G			Handle	6 pcs
H		Ø4x22mm	Bolt	12 pcs
J			Hinge	4 pcs
K		Ø3.5x15mm	Screw	16 pcs
L		Ø8x5x16mm	Shelf support pin	4 pcs
M		Ø6x50mm	Bolt	6 pcs
N		M4mm	Wrench	1 pc
P			Sticker	36 pcs
Q			Glue tube	2 pcs



Philips head screwdriver required for assembly  
(not included)

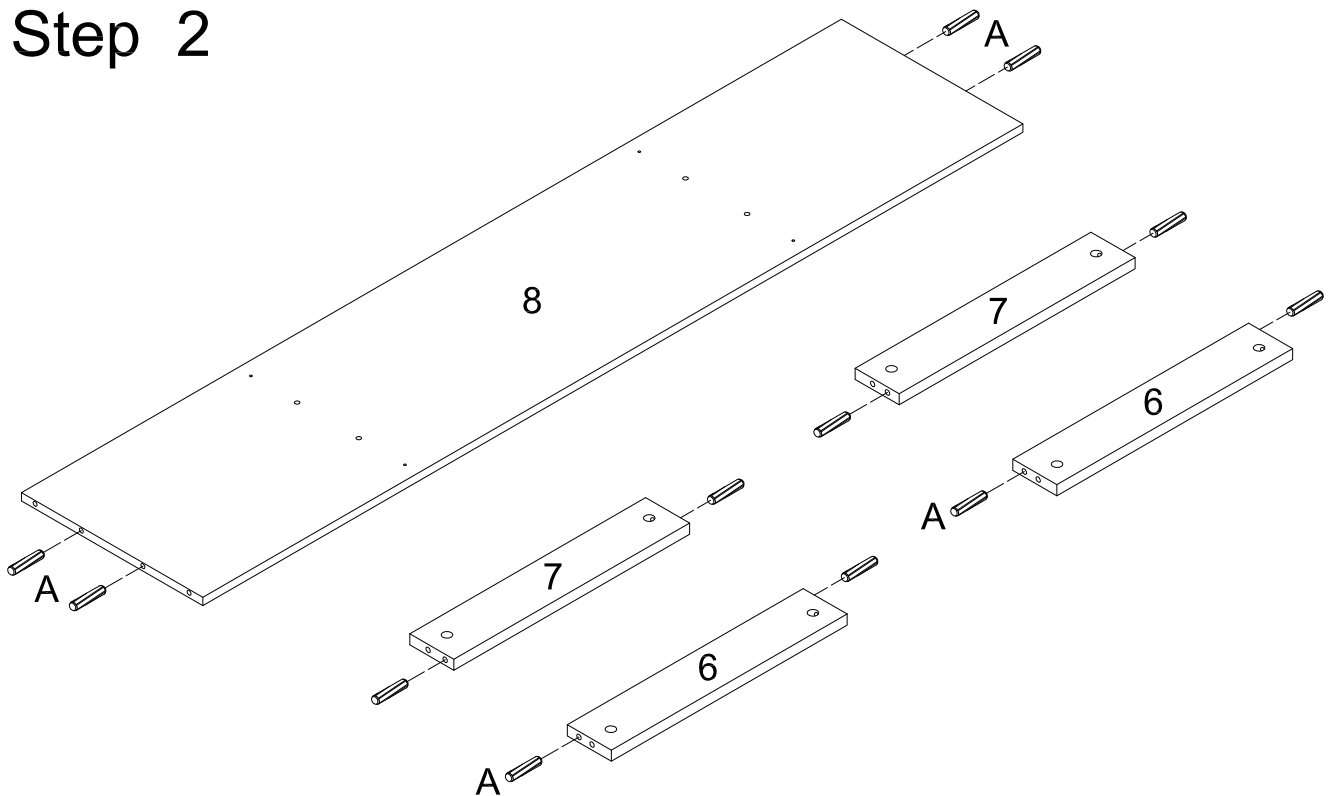
*The hardware quantities listed above are required for proper assembly.  
Some extra hardware may also have been included.*

# Step 1



Secure cam bolts (B) and insert wooden dowels (A) into top panel (1).

# Step 2



Insert wooden dowels (A) into bottom panel (8) and support bars (6,7).

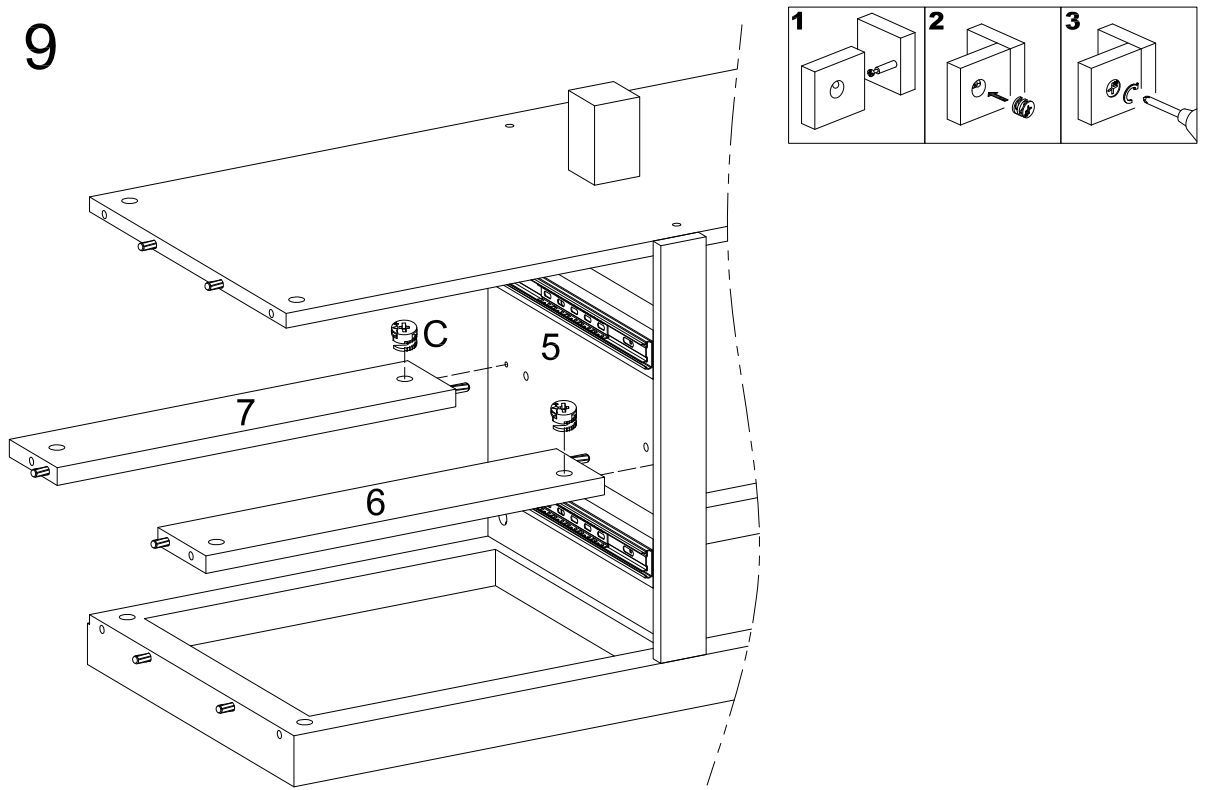






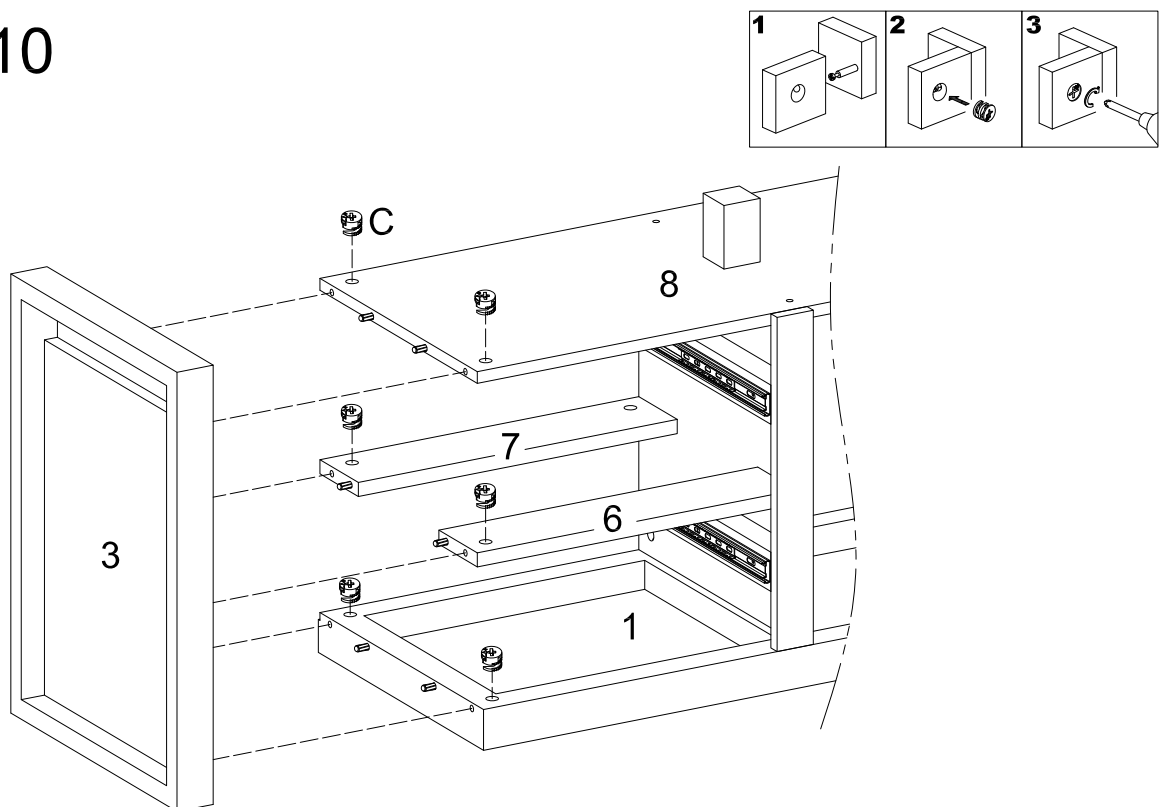


## Step 9



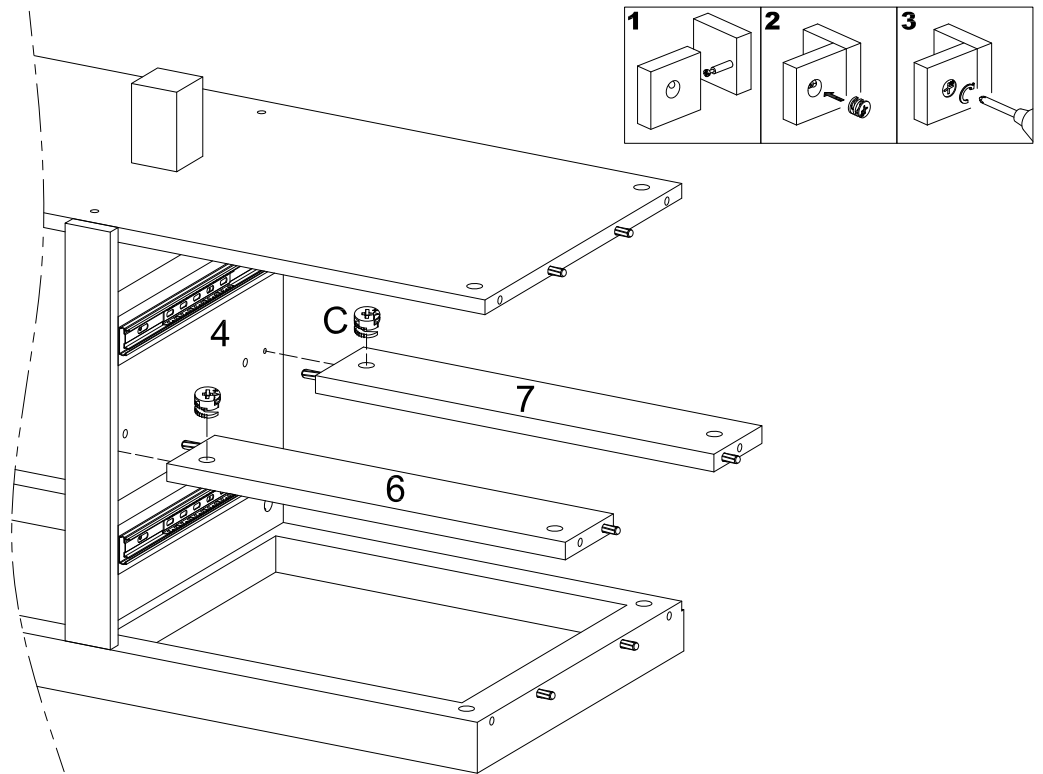
Attach support bars (6,7) to side panel (5) using cam locks (C).

## Step 10



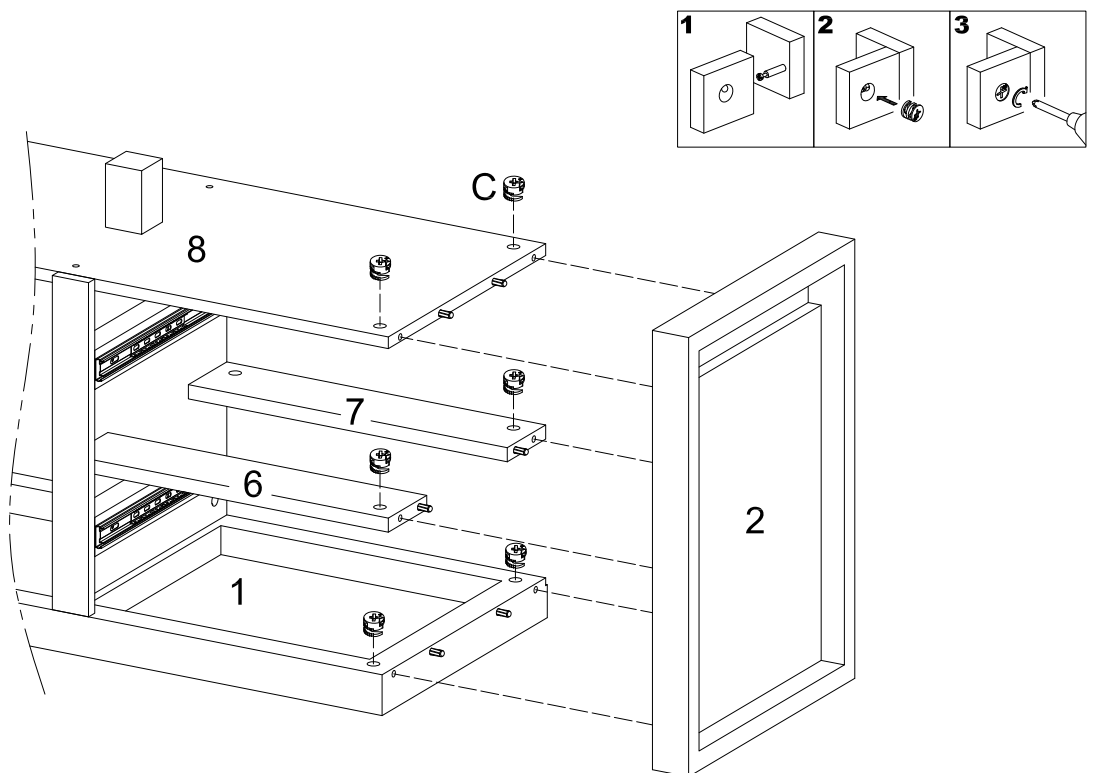
Attach side panel (3) to unit using cam locks (C).

## Step 11



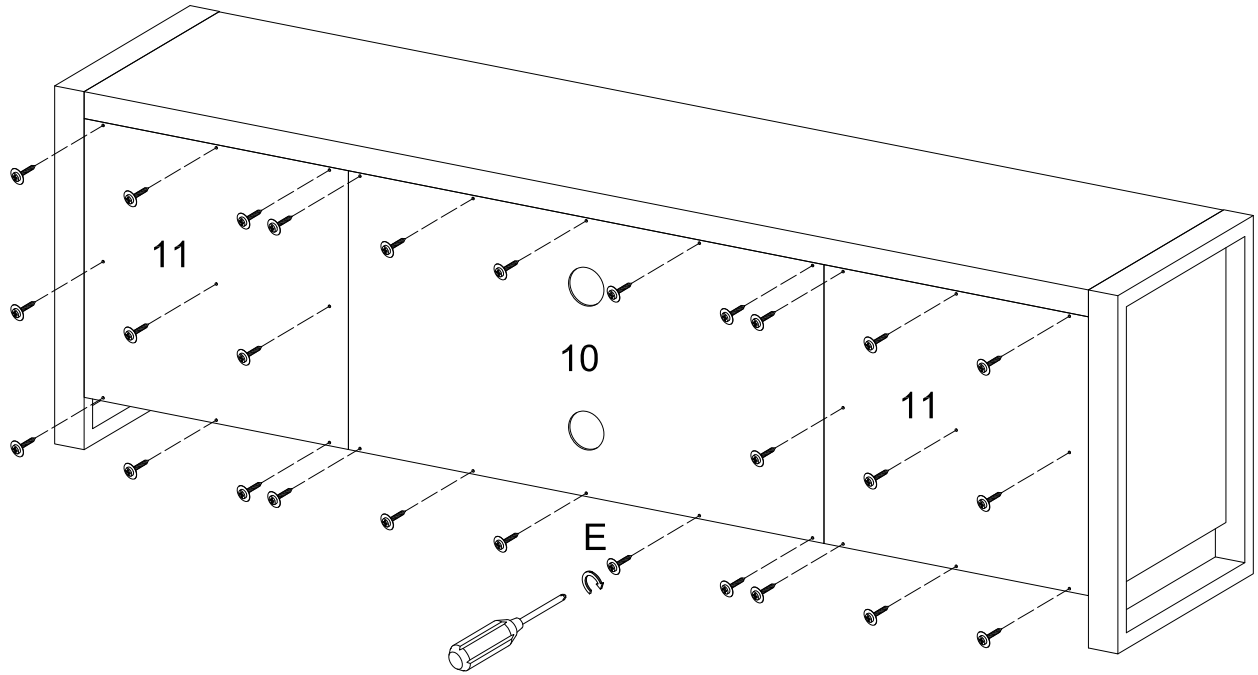
Attach support bars (6,7) to side panel (4) using cam locks (C).

## Step 12



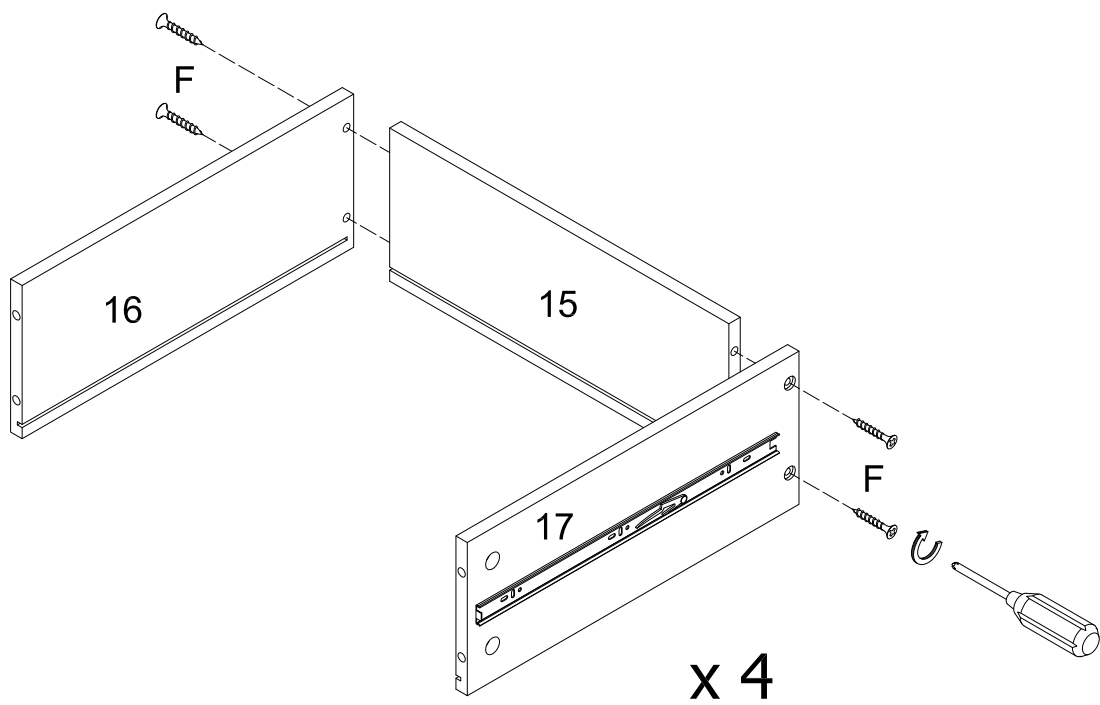
Attach side panel (2) to unit using cam locks (C).

## Step 13



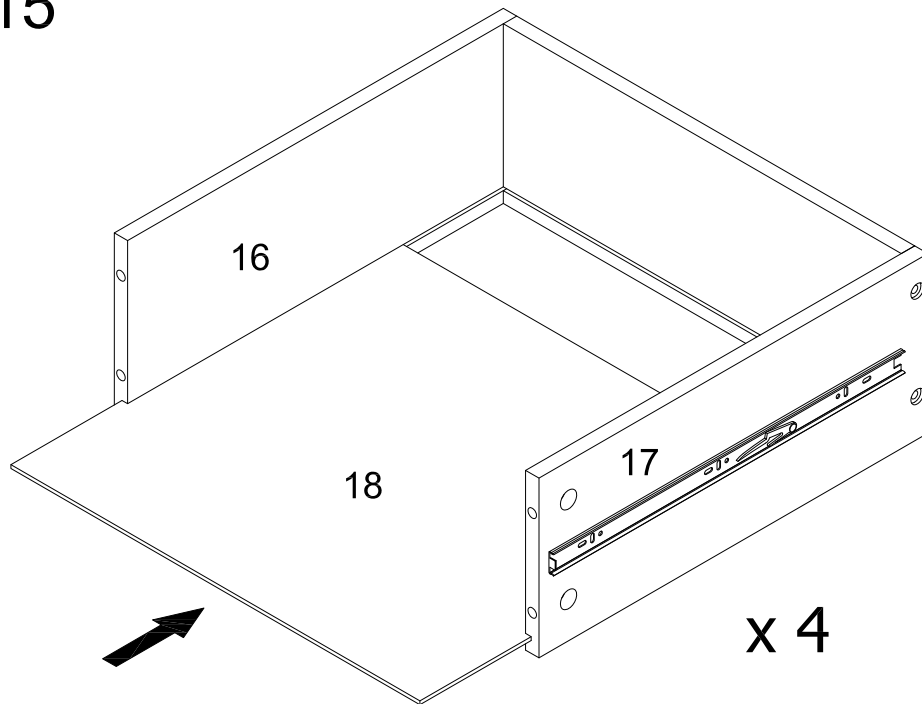
Attach back panels (10,11) to unit using screws (E).

## Step 14



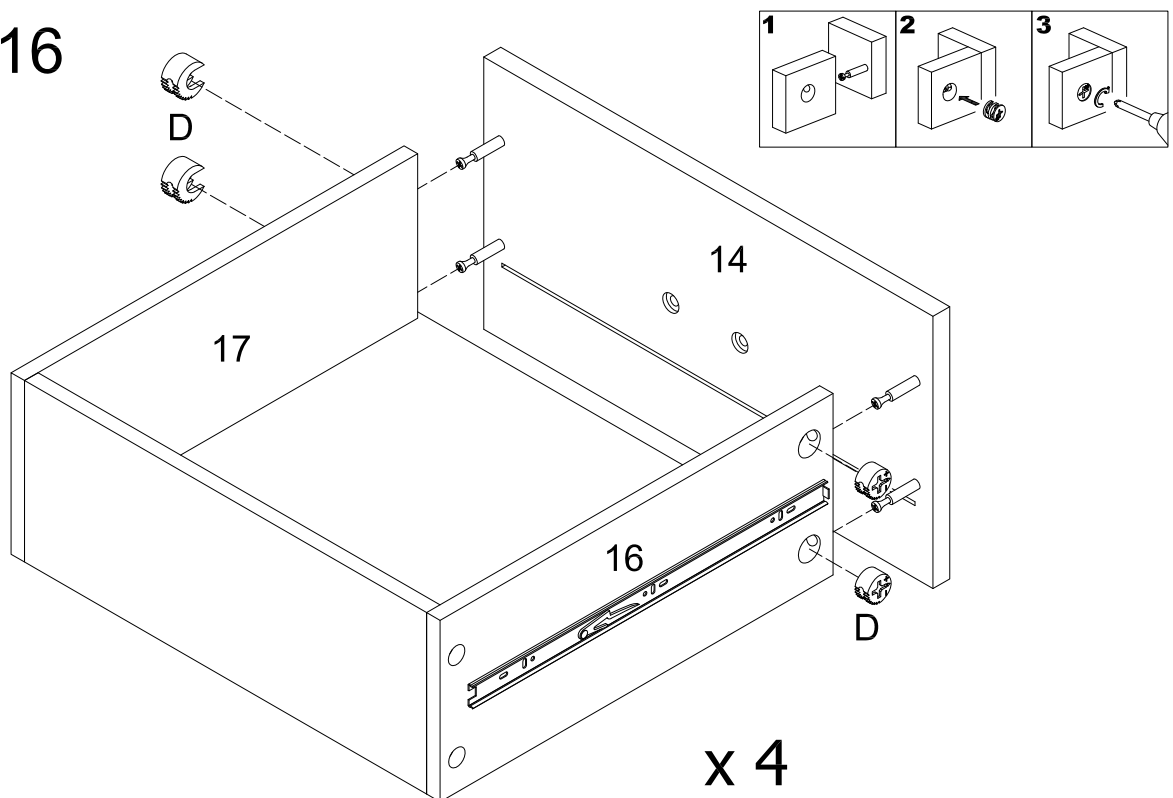
Attach drawer panels (16,17) to drawer panel (15) using screws (F).

## Step 15



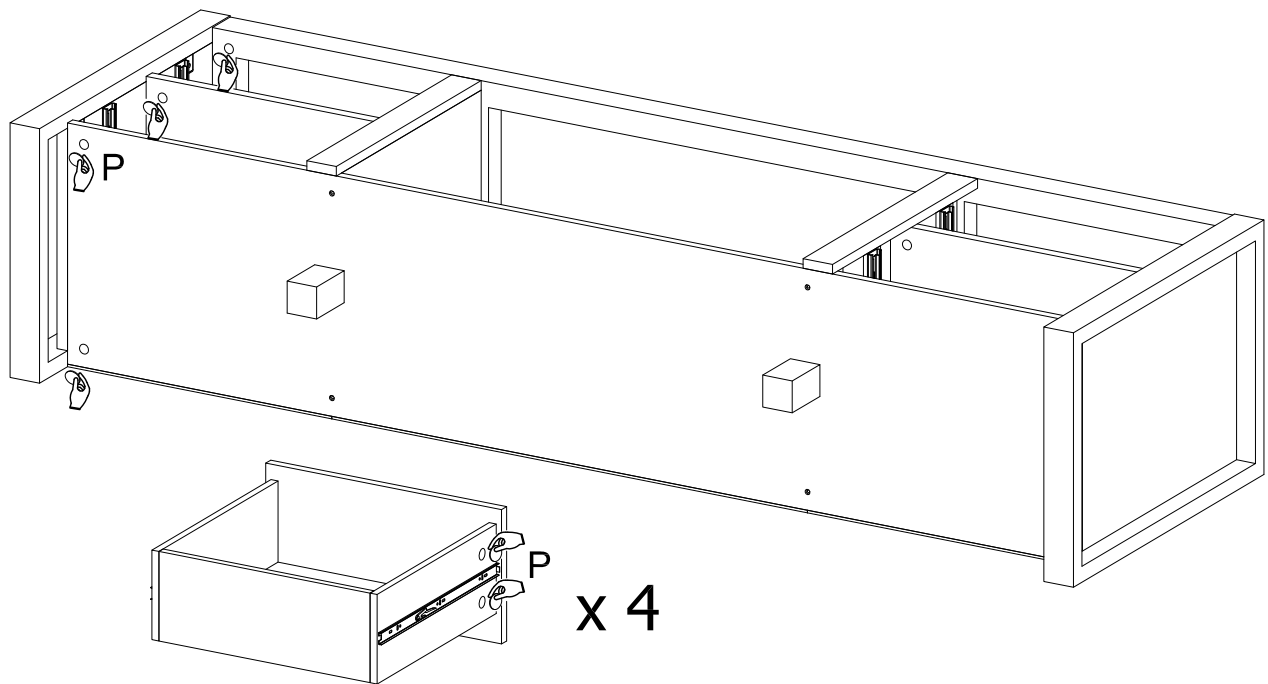
Carefully insert drawer panel (18) along the thin grooves of drawer assembly.

## Step 16



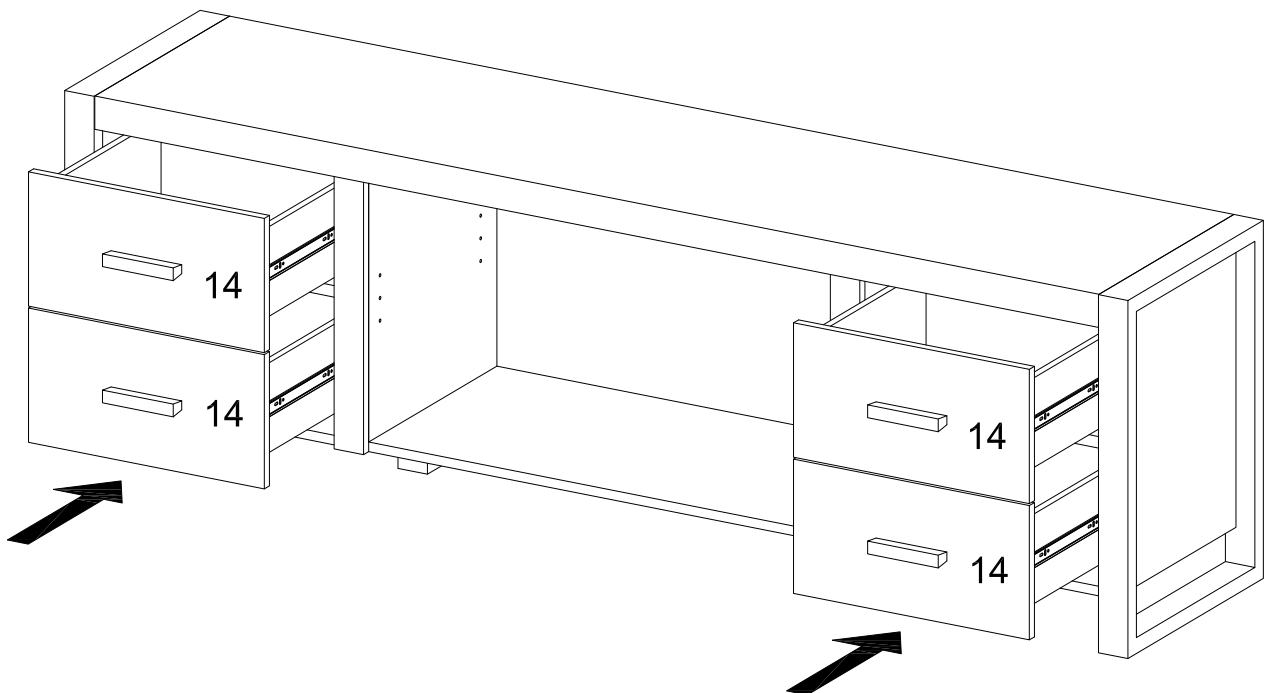
Attach door panel (14) to assembled drawer using cam locks (D).

## Step 17



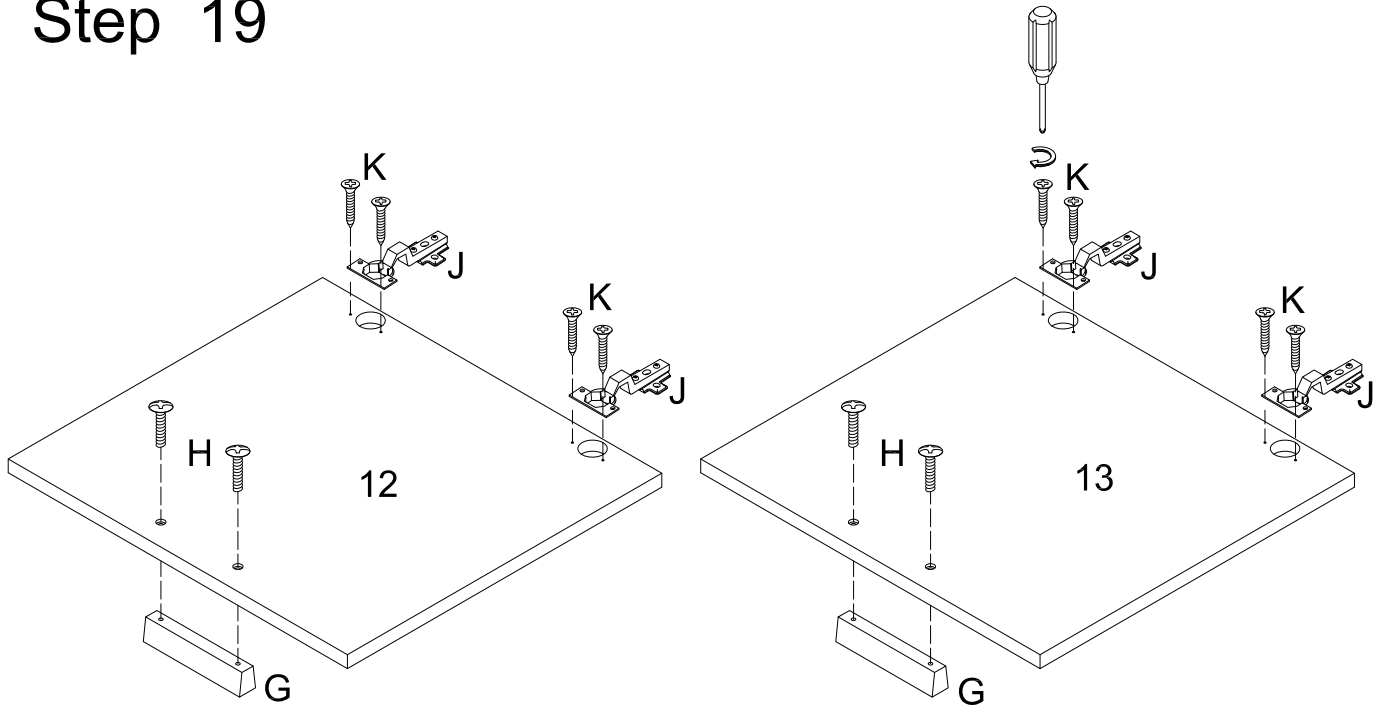
Cover all cam locks using stickers (P).

## Step 18



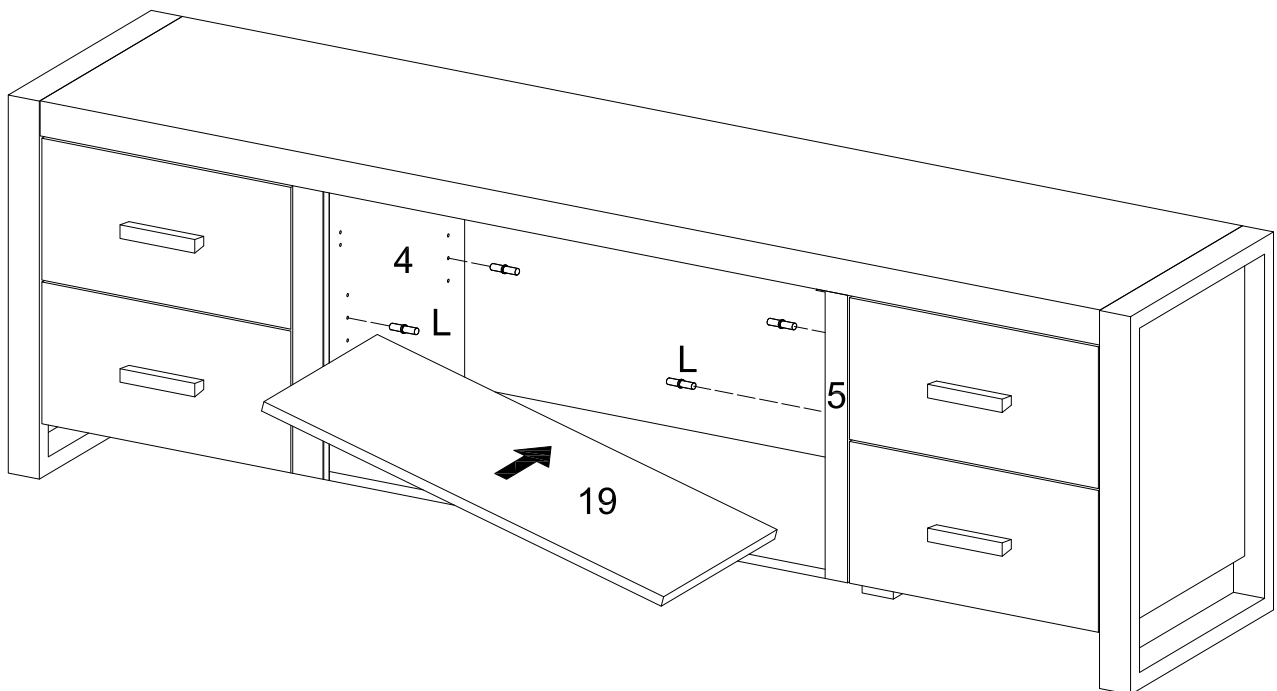
Carefully insert drawer assembly into assembled unit.

## Step 19



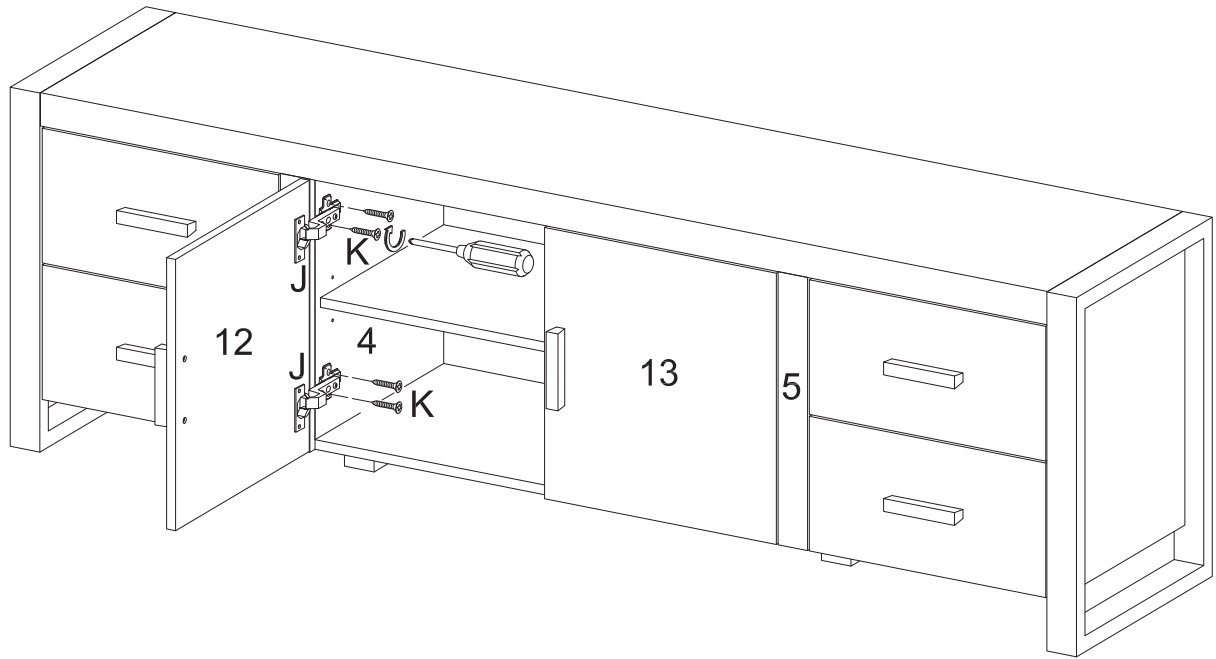
Attach hinge (J) to doors (12,13) using screws (K). Attach handles (G) using bolts (H).

## Step 20



Insert shelf pins (L) and carefully insert shelf panel (19).

## Step 21



Attach doors (12,13) to assembled unit using screws (K).

## Step 22

