

**W** Walker  
**E** Edison  
furniture company

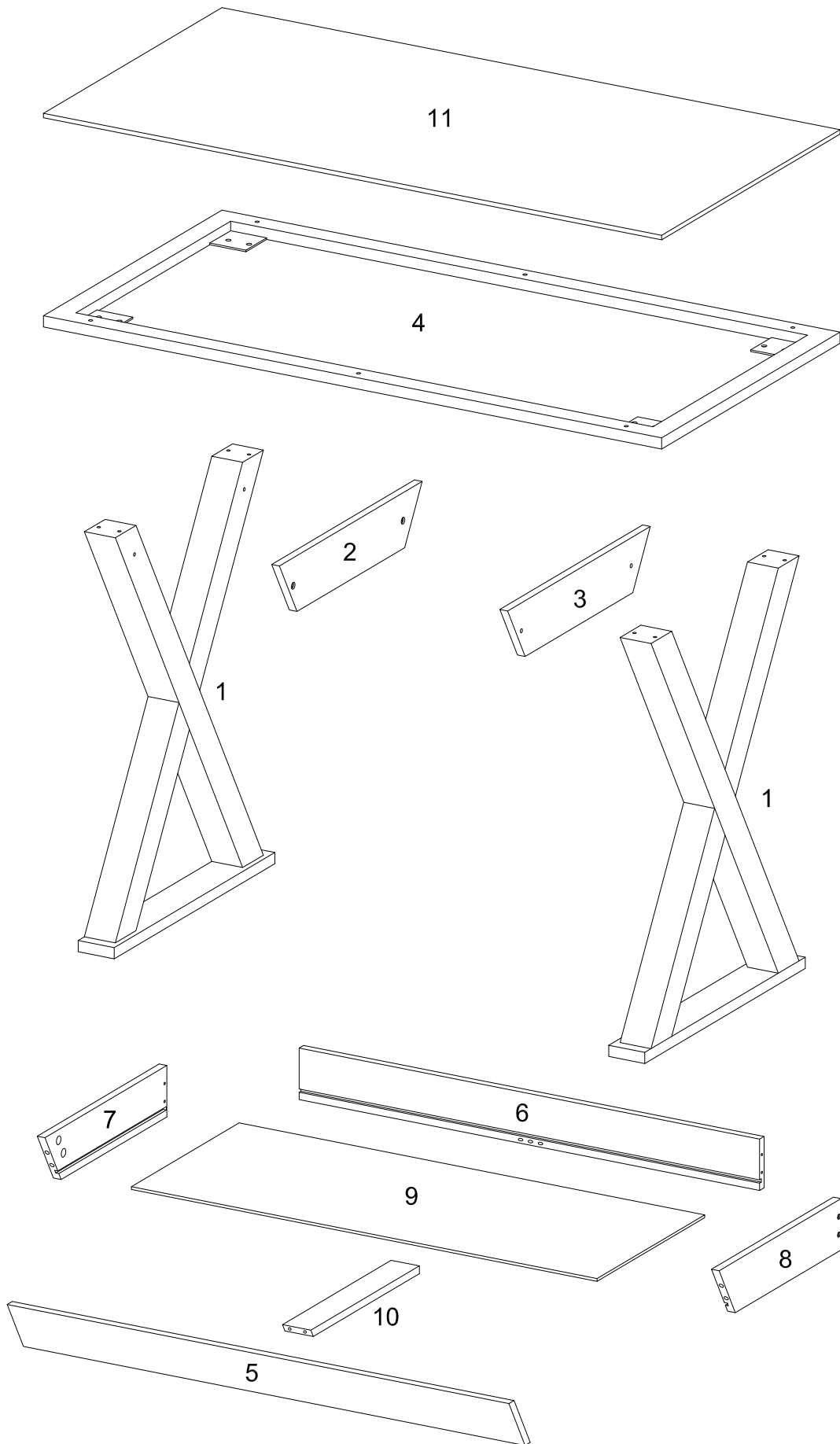
Item # : D48X30  
Assembly Instructions







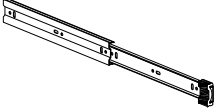
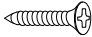
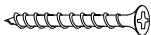
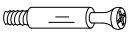




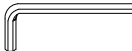
*For our most current instructions, to request missing, lost or broken parts, or for any other Customer Service issues, please visit our website at [www.walkerredison.com](http://www.walkerredison.com) or call us at 877-207-5906.*

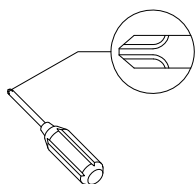
Revised 06/2014

# Parts List



# Hardware List

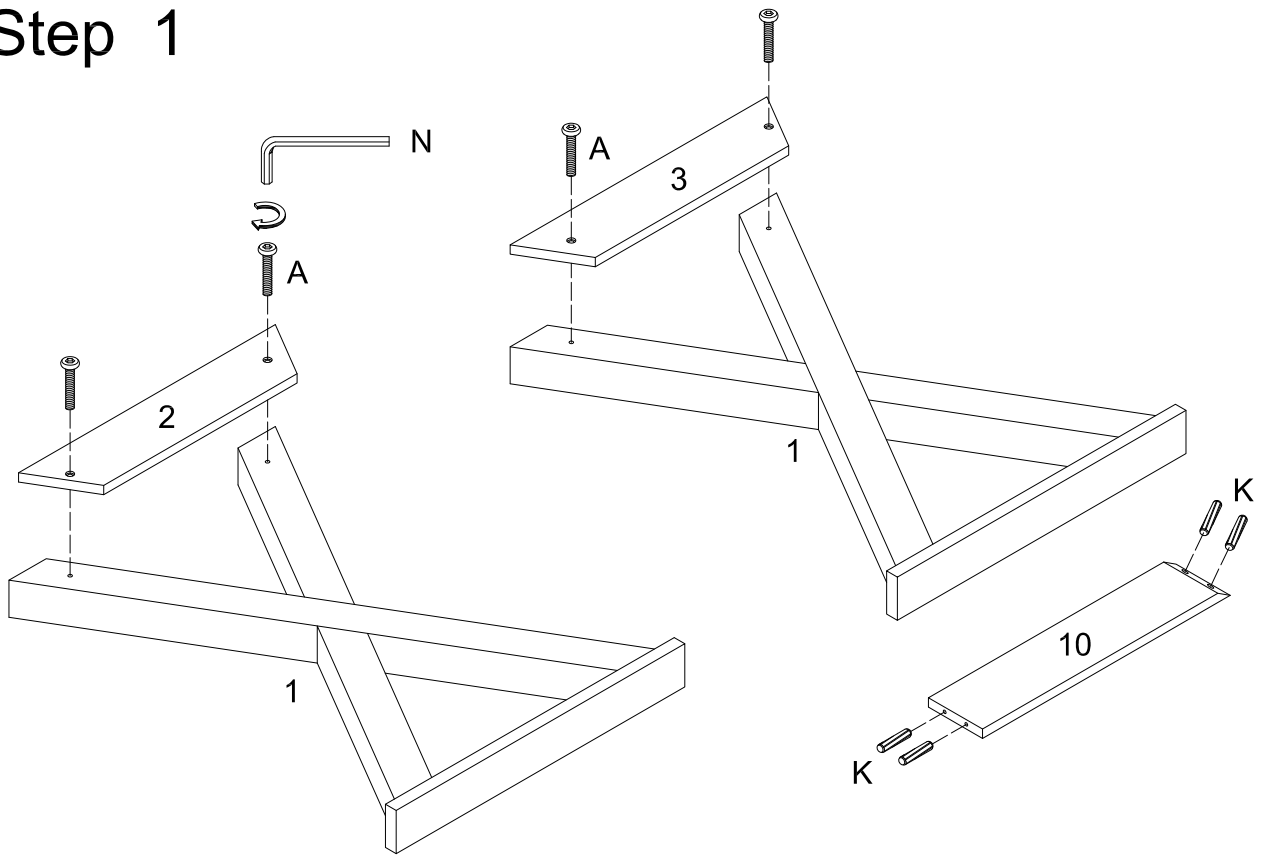
A		M6*22	Long boot	4 pcs
B		M6*15	Short boot	8 pcs
C			Spring washer	8 pcs
D			Washer	8 pcs
E			Keyboard tray slider	2 pcs
F		M4*15	Screw	8 pcs
G		M4*35	Screw	5 pcs
H			Cam bolt	4 pcs
J			Cam lock	4 pcs
K			Wooden dowel	4 pcs
L			Rubber suction cups	6 pcs
M			Sticker	4 pcs
N		M4	Wrench	1 pc



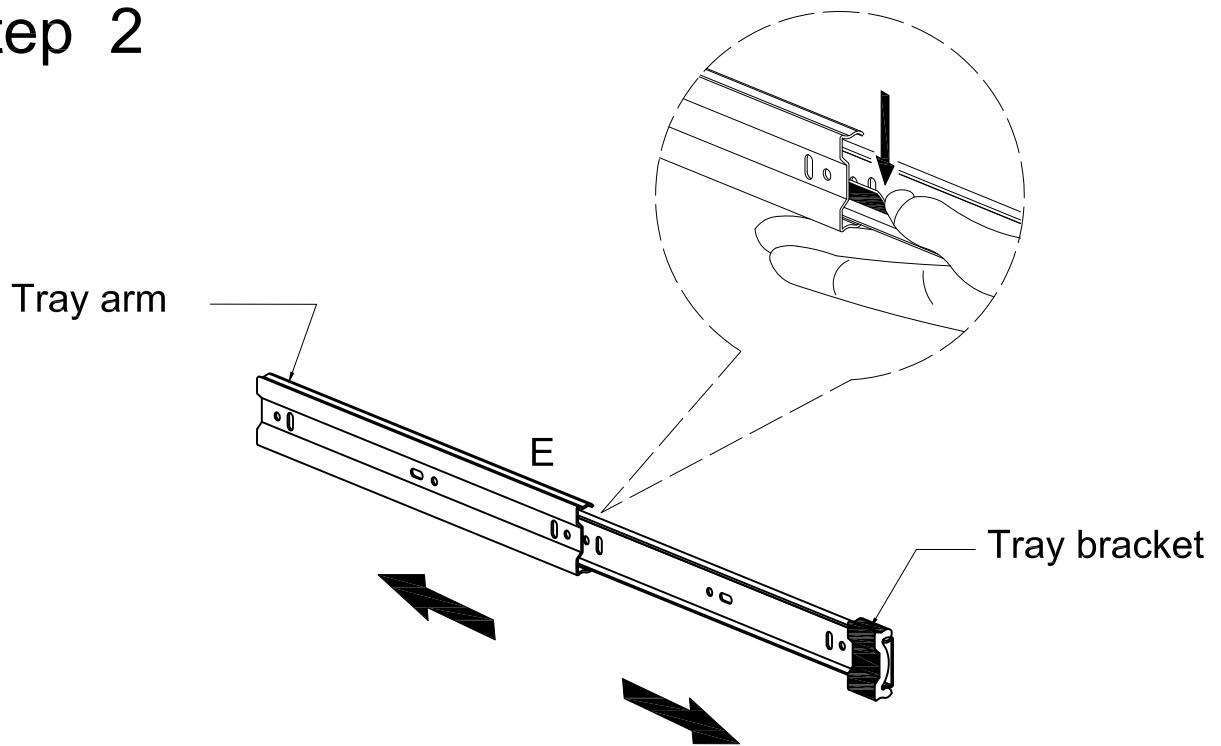
Philips head screwdriver required for assembly  
(not included)

*The hardware quantities listed above are required for proper assembly.  
Some extra hardware may also have been included.*

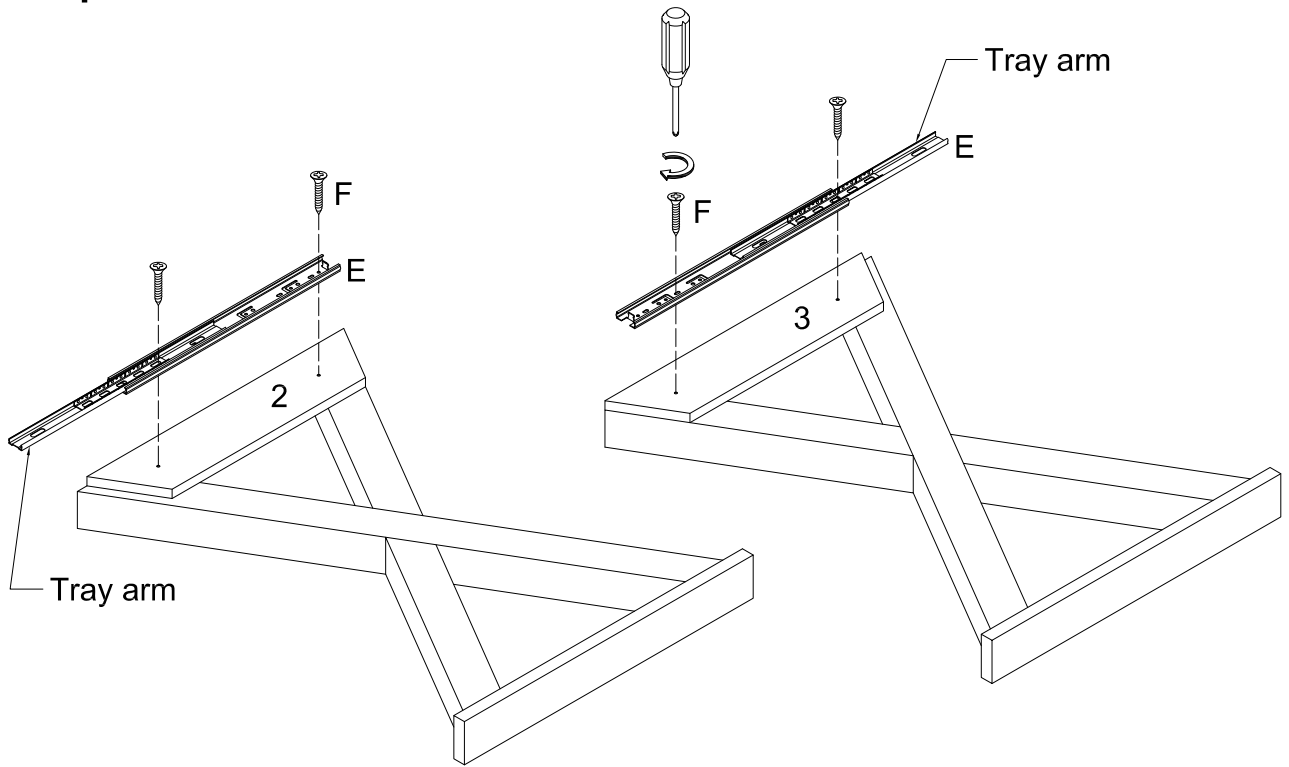
# Step 1



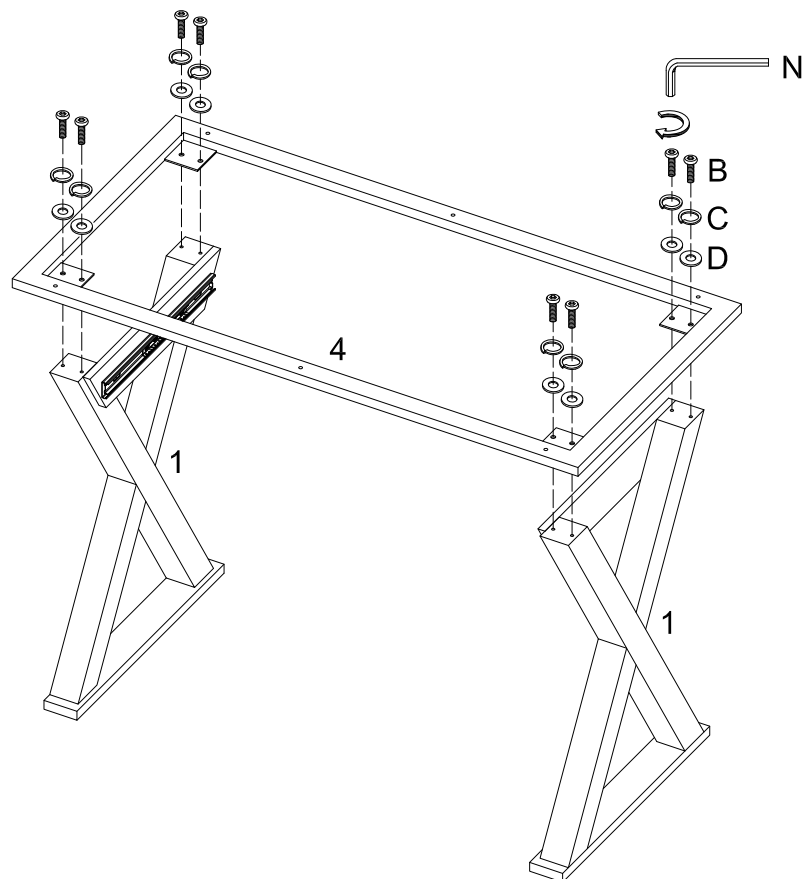
# Step 2



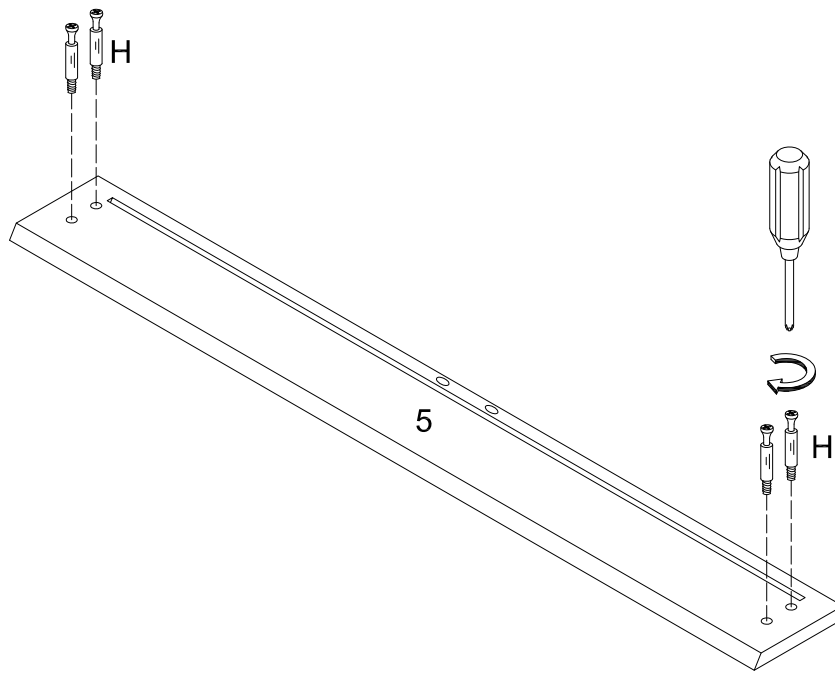
# Step 3



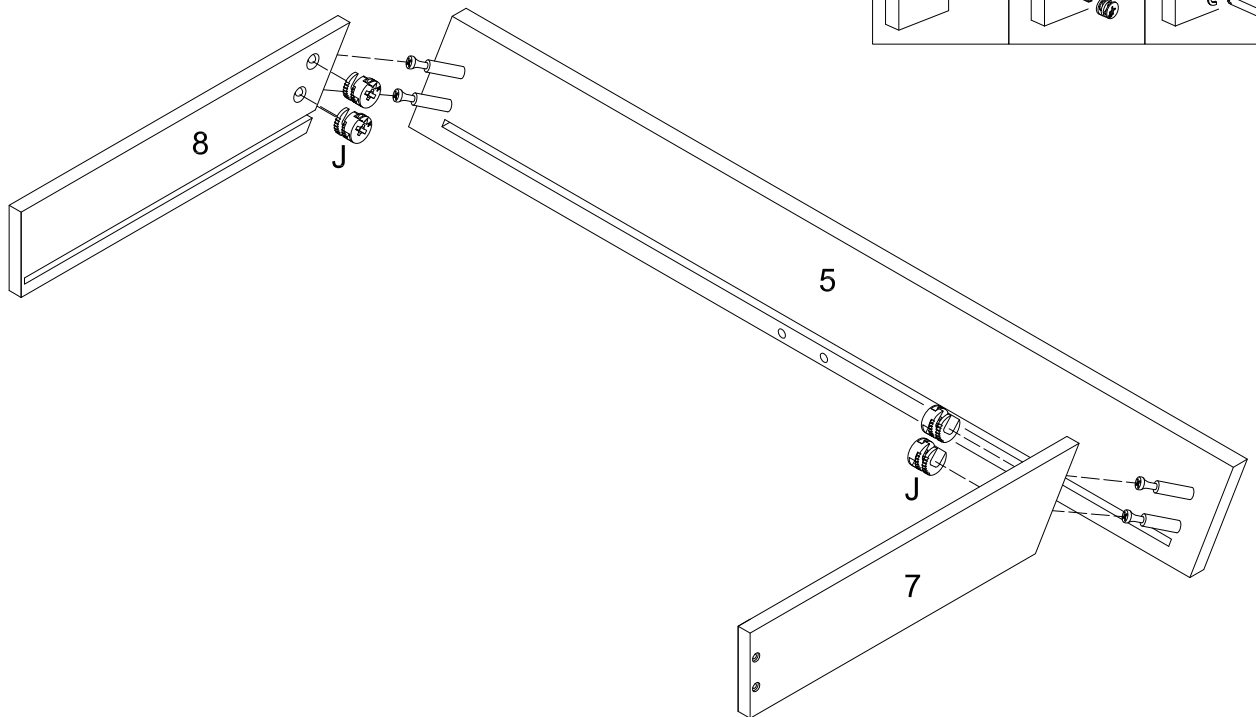
# Step 4



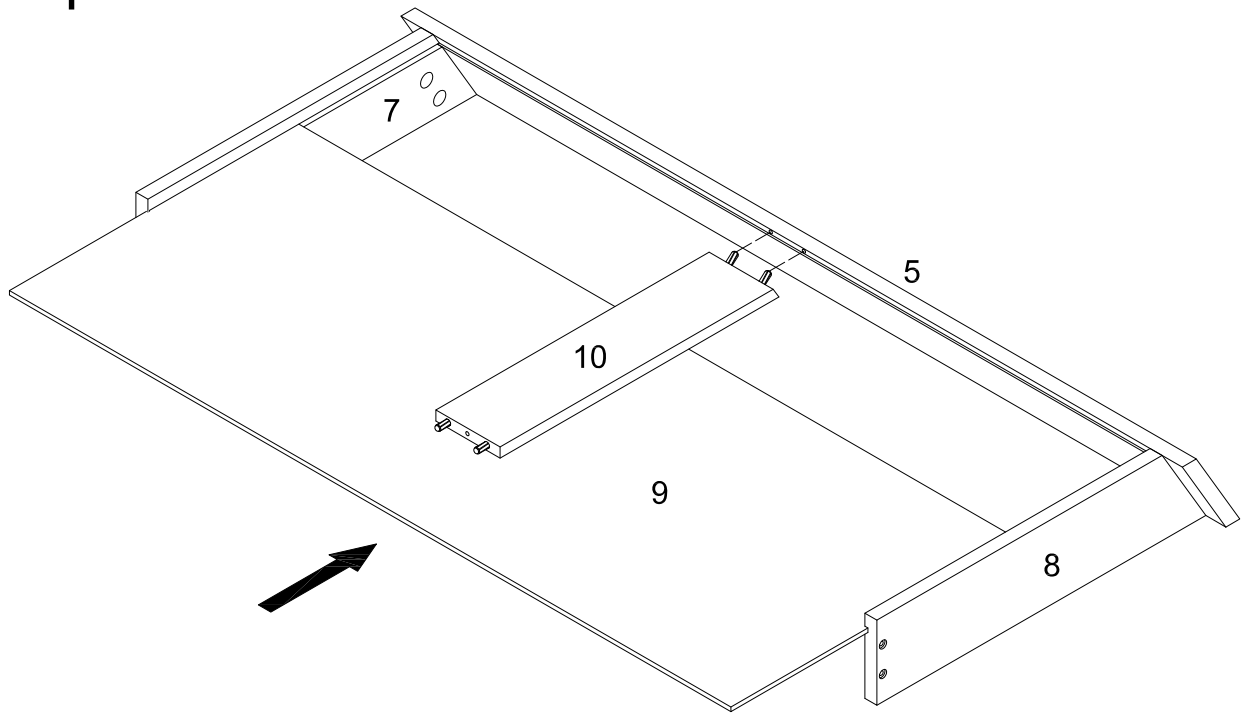
# Step 5



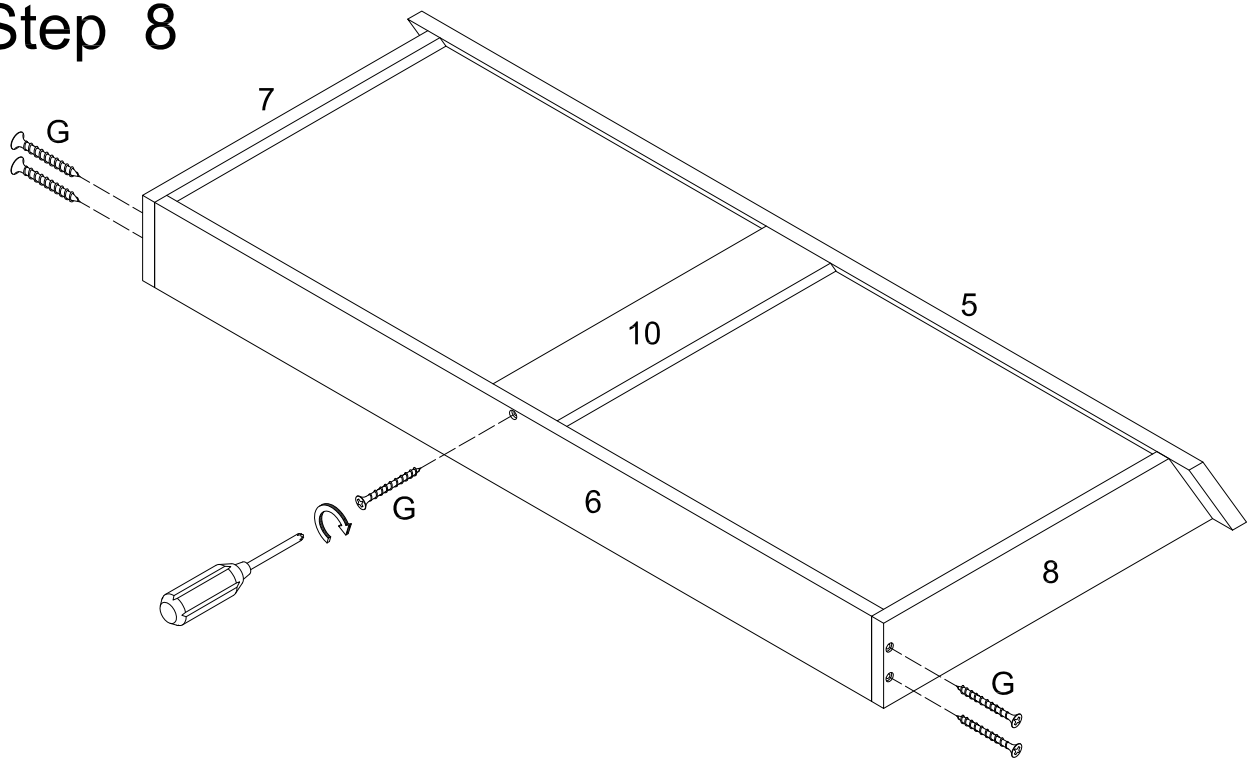
# Step 6



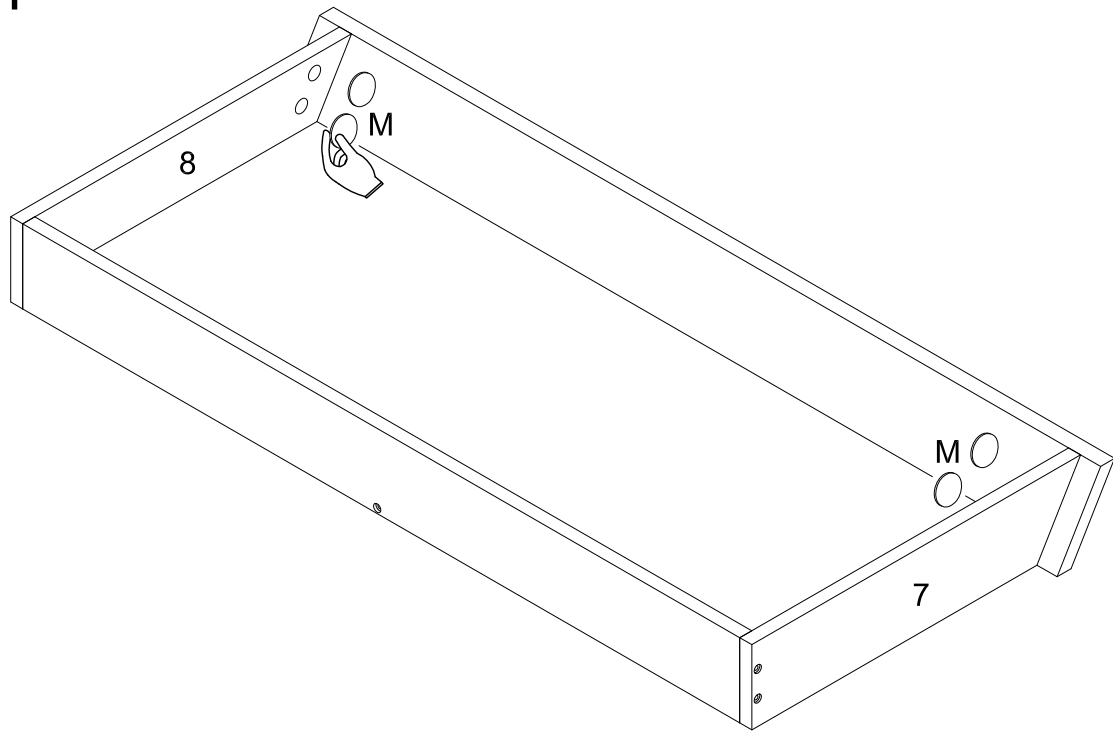
# Step 7



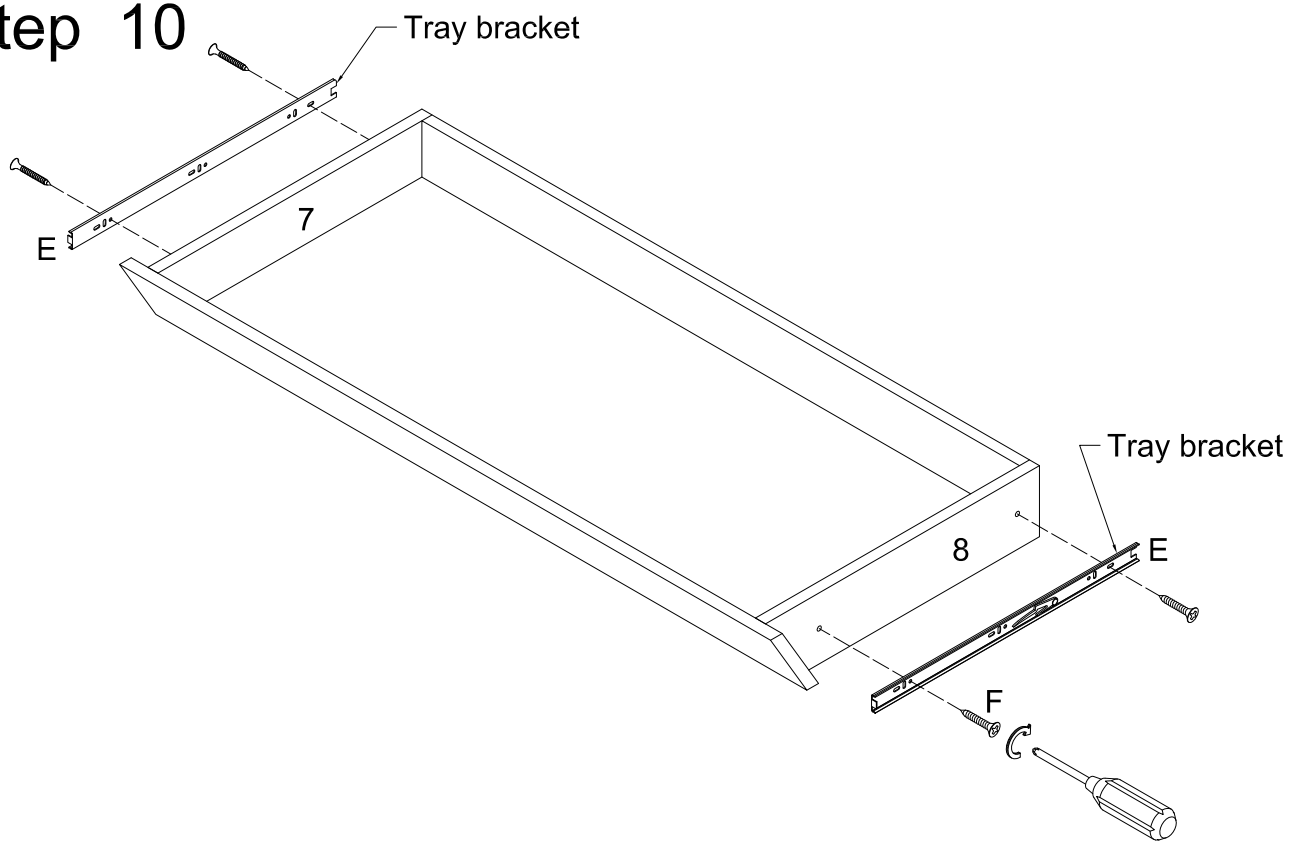
# Step 8



# Step 9

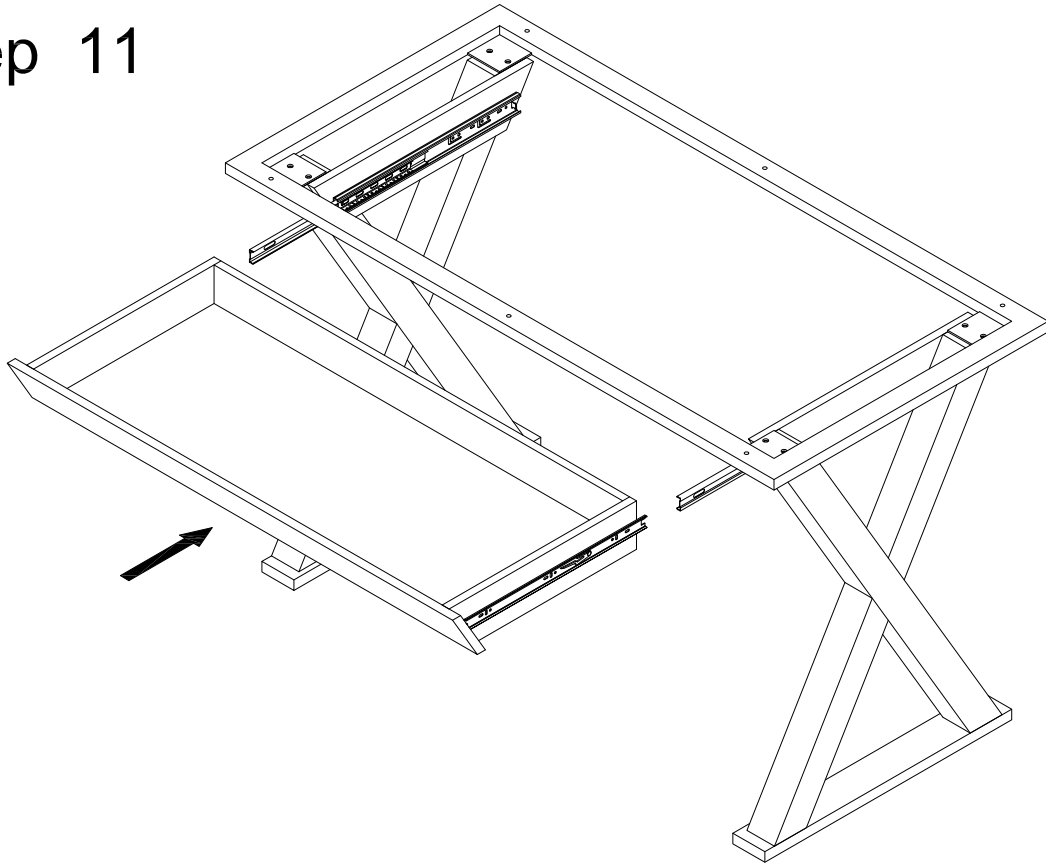


# Step 10

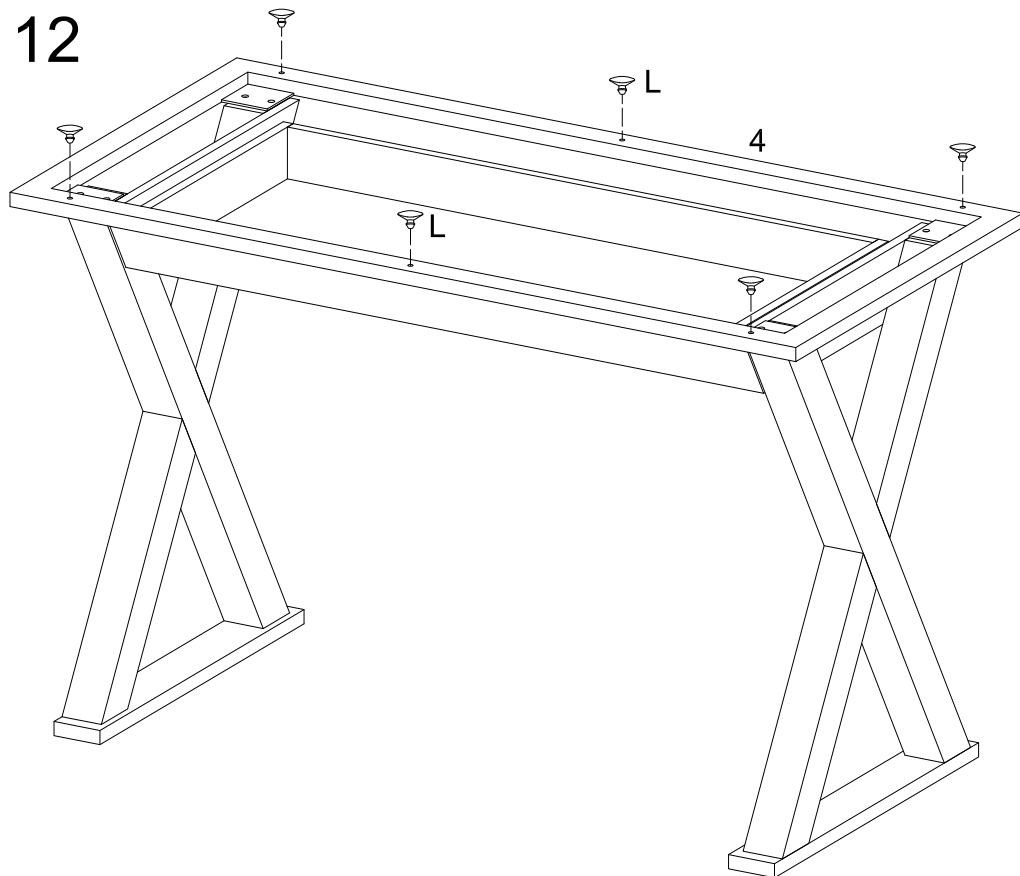




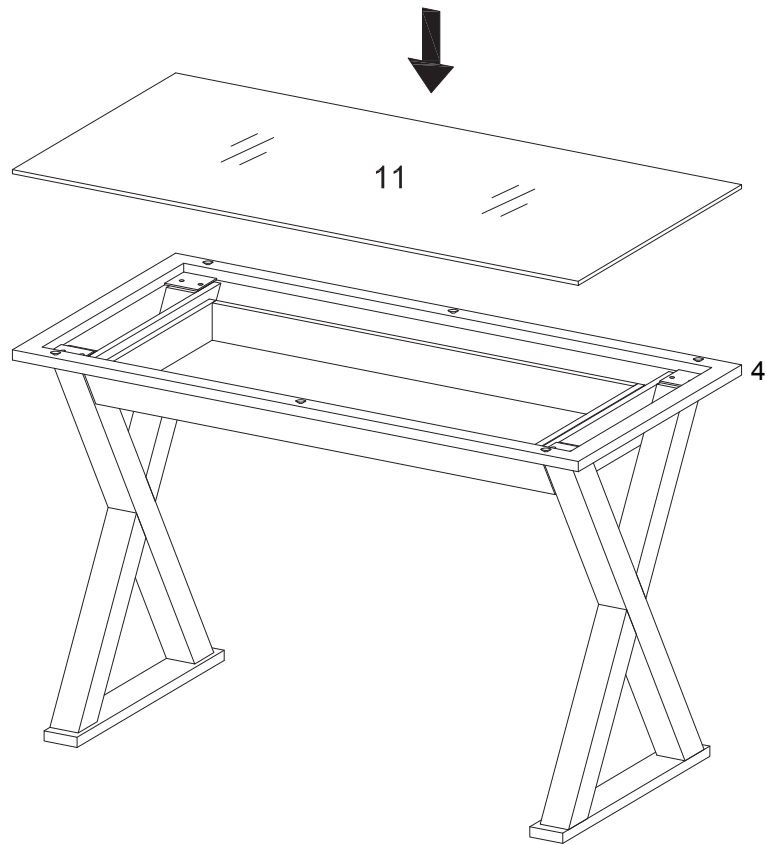
# Step 11



# Step 12



## Step 13



## Step 14



**Final Assembly**