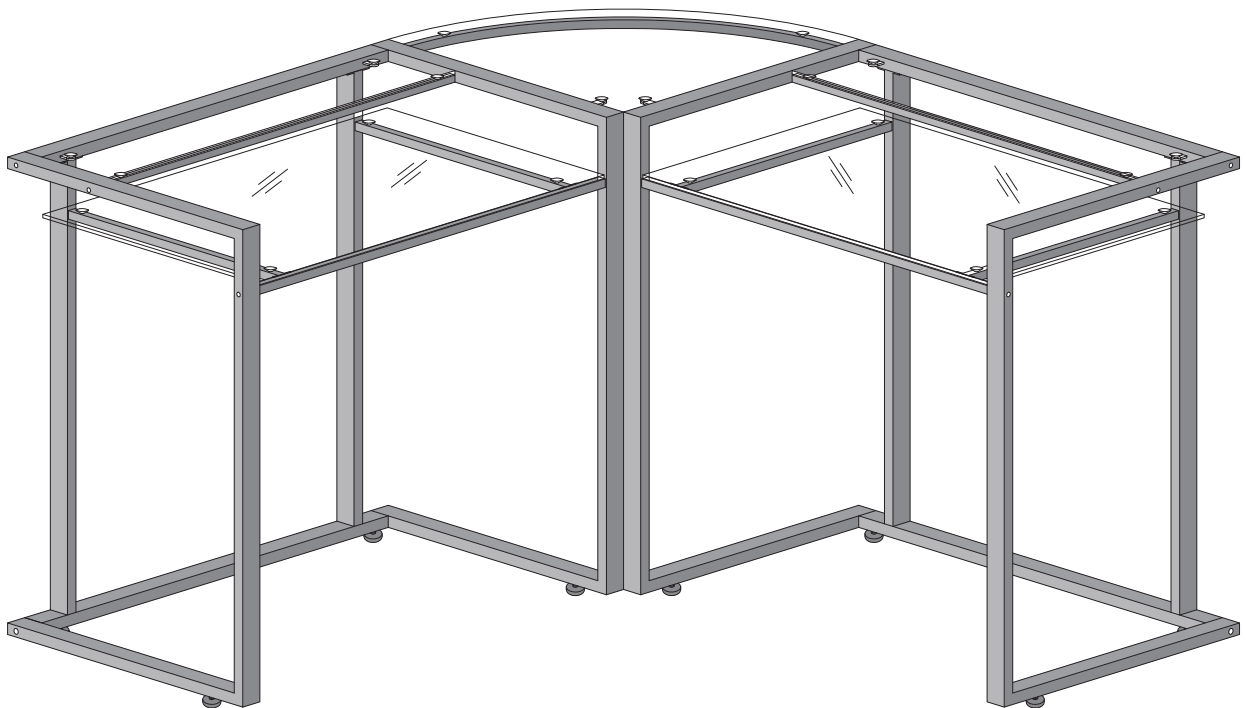


WE Walker
Edison
furniture company

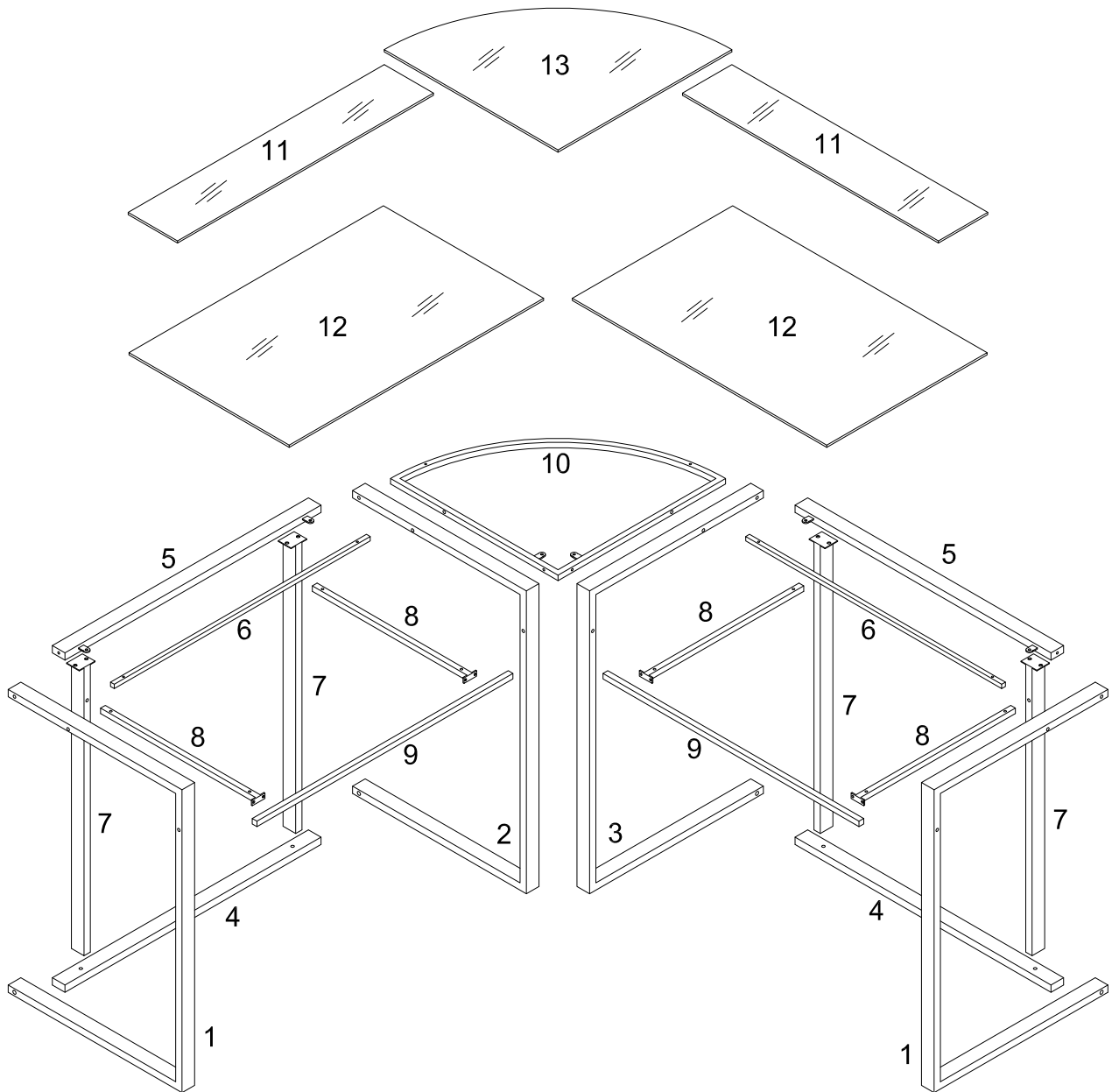
Item # :D56C33CB
Assembly Instructions








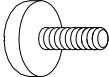

For our most current instructions, to request missing, lost or broken parts, or for any other Customer Service issues, please visit our website at www.walkeredison.com or call us at 877-207-5906.

Revised 03/2013

Parts List

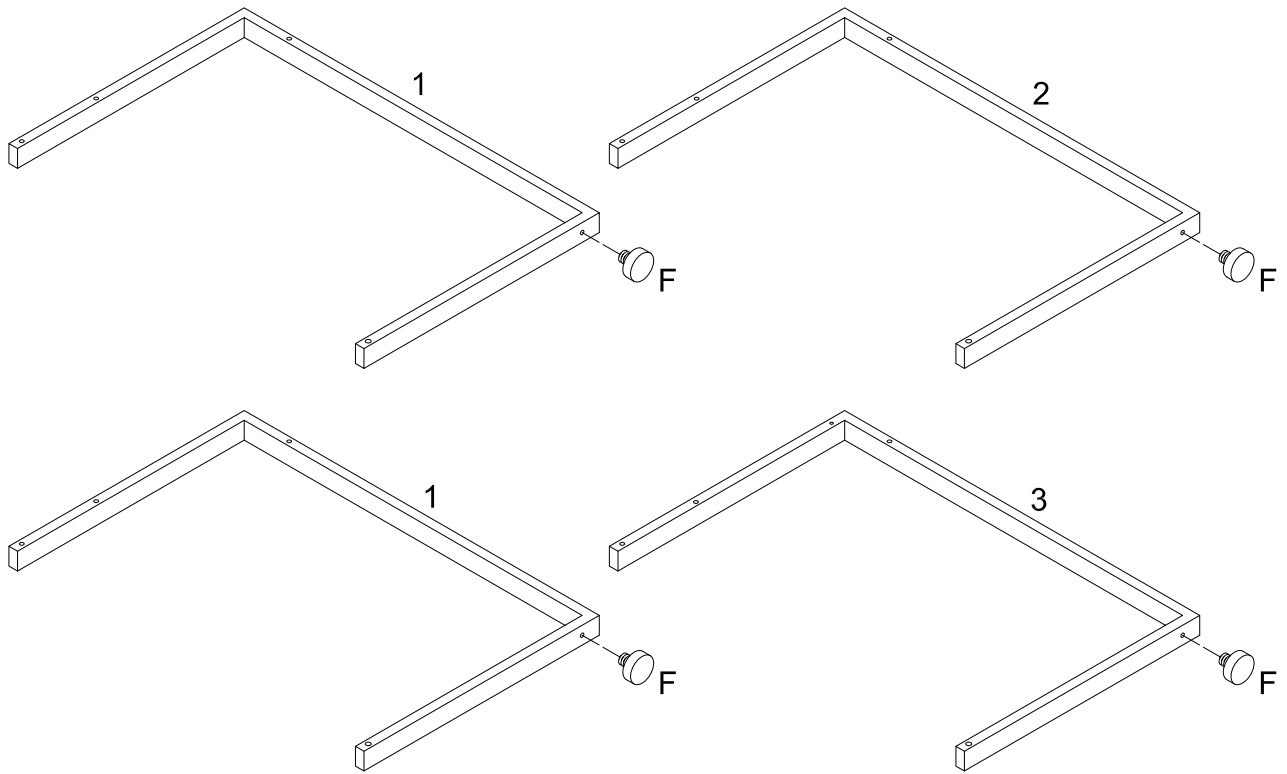


Hardware List

A		M6*70(mm)	Long bolt	18 pcs
B		M6*70(mm)	Bolt	2 pcs
C		M6*45(mm)	Medium bolt	6 pcs
D		M6*12(mm)	Short bolt	16 pcs
E			Rubber suction cup	20 pcs
F			Desk feet	8 pcs
G		M4(mm)	Allen wrench	1 pc

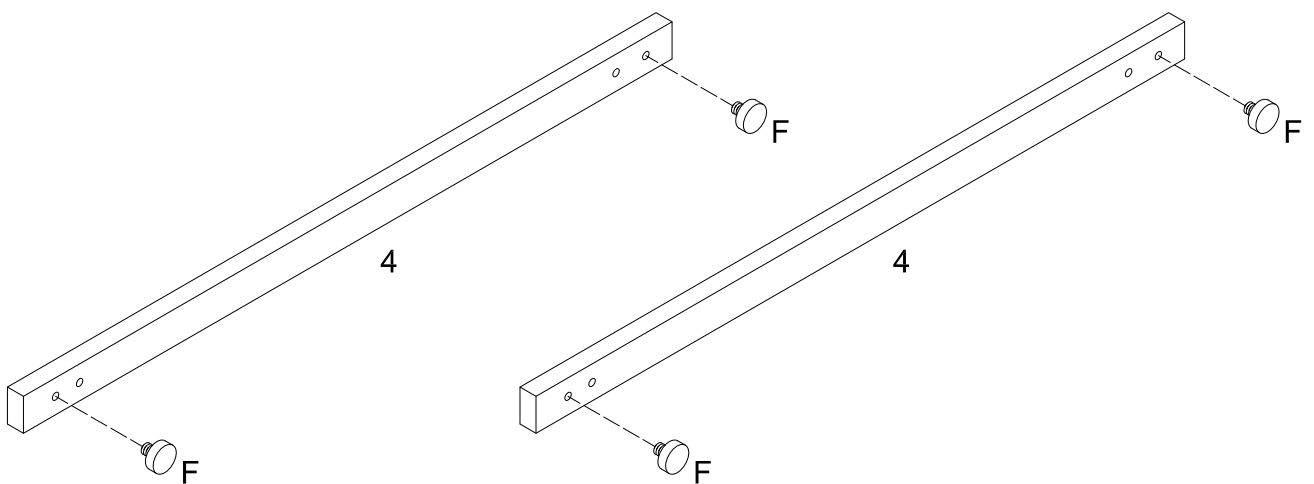
*The hardware quantities listed above are required for proper assembly.
Some extra hardware may also have been included.*

Step 1



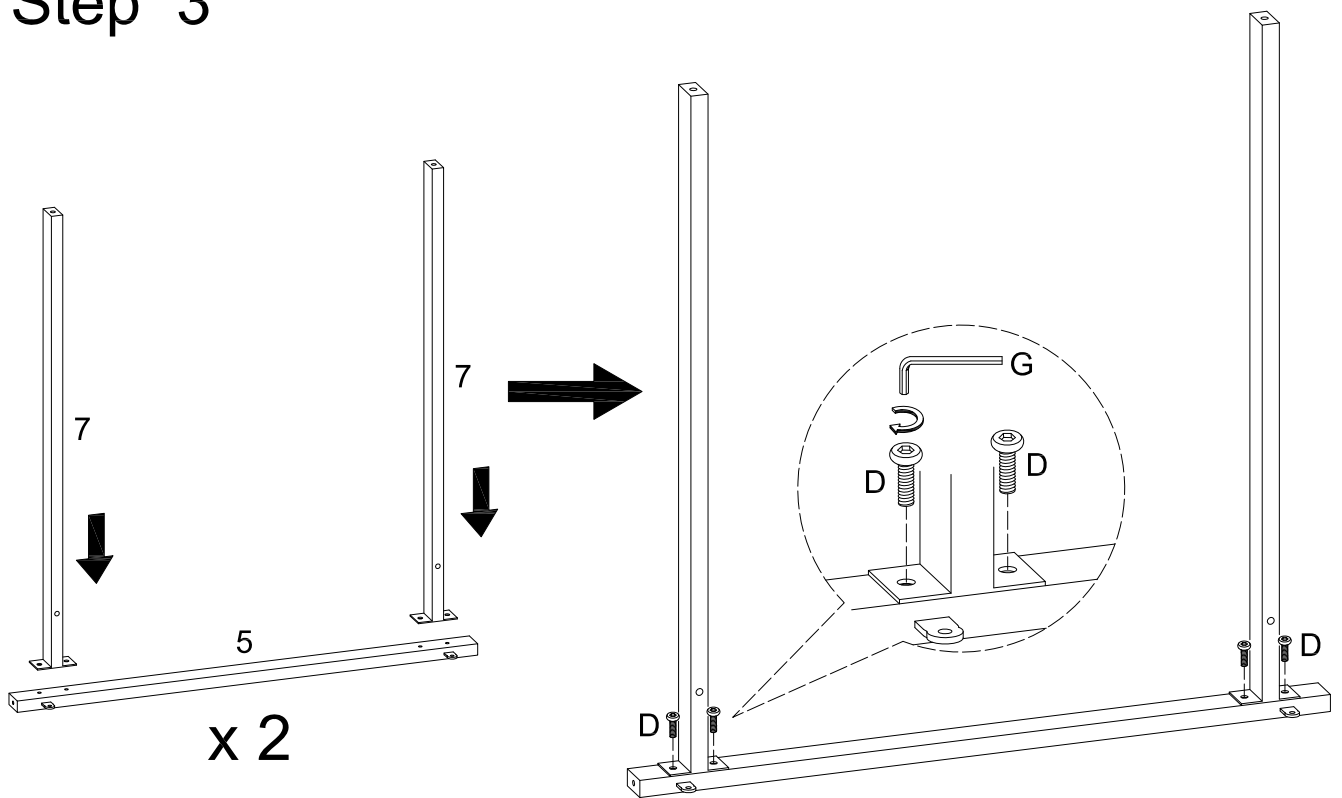
Screw feet (F) into legs (1,2,3).

Step 2



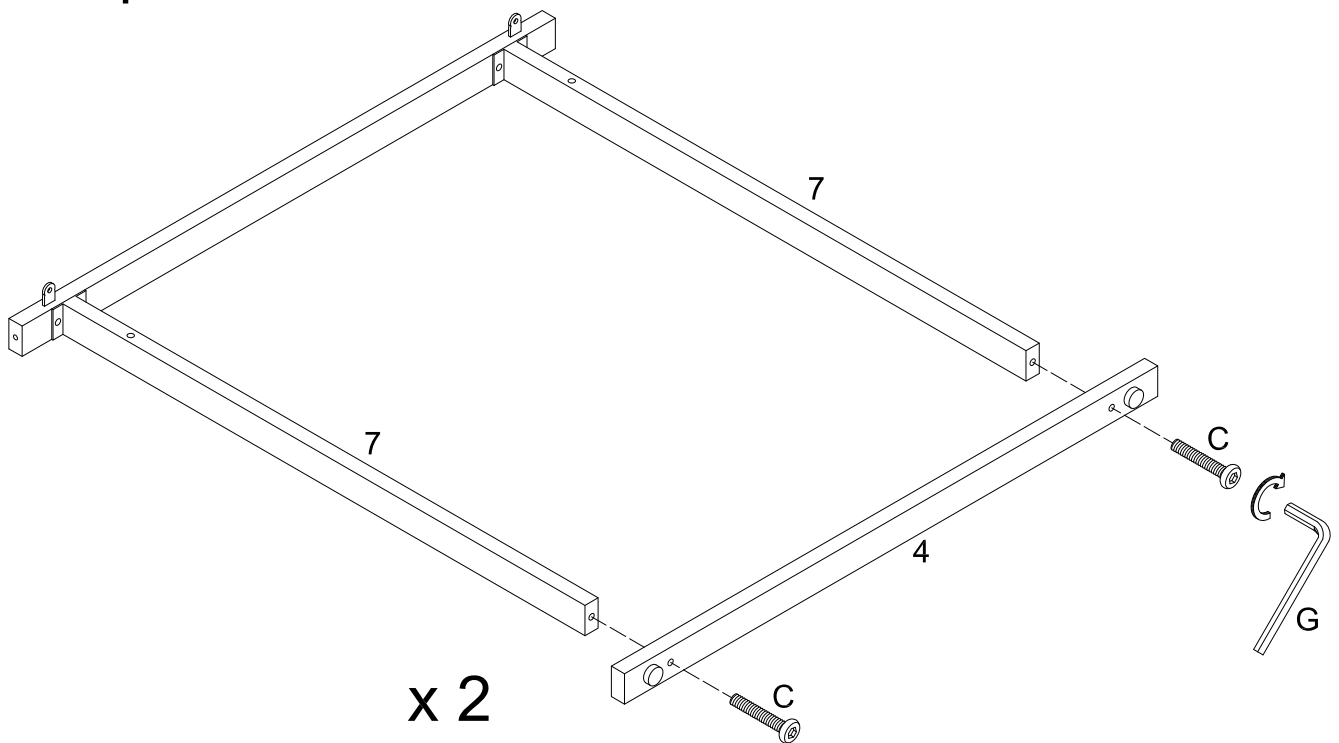
Screw feet (F) into lower crossbars (4).

Step 3



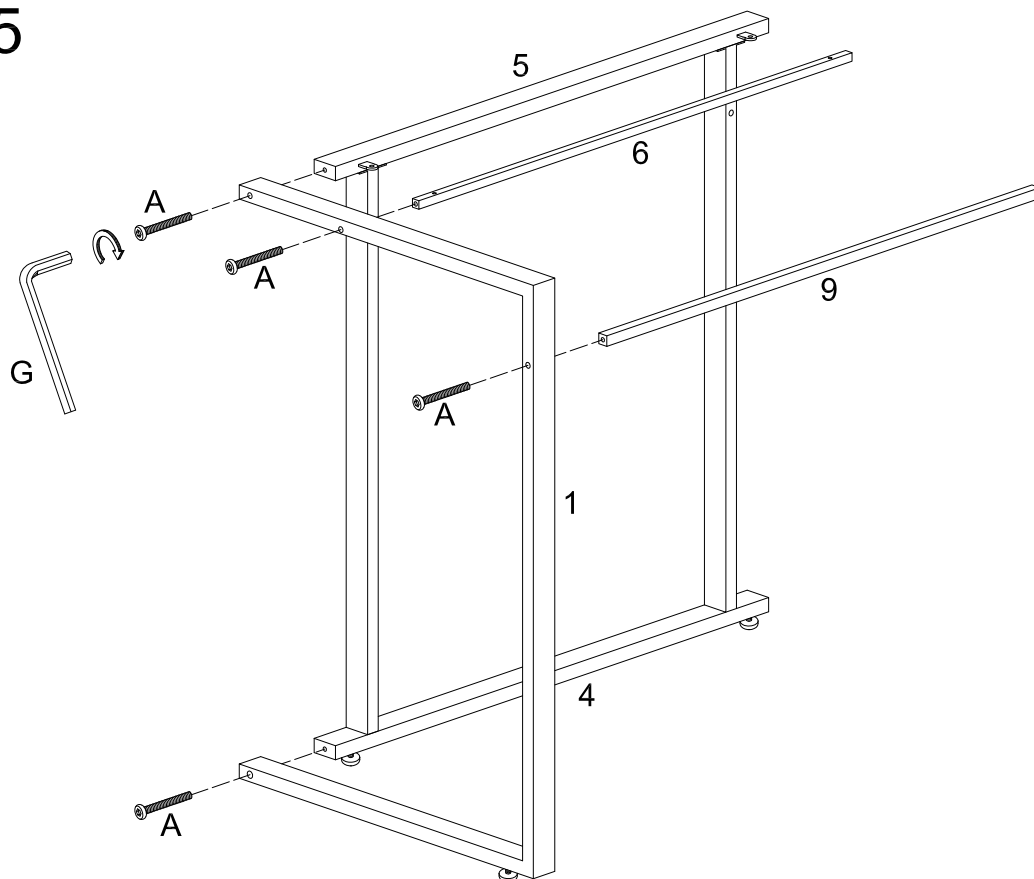
Attach crossbars (7) to lower crossbar (5) using short bolts (D). Tighten short bolts (D) with wrench (G).

Step 4



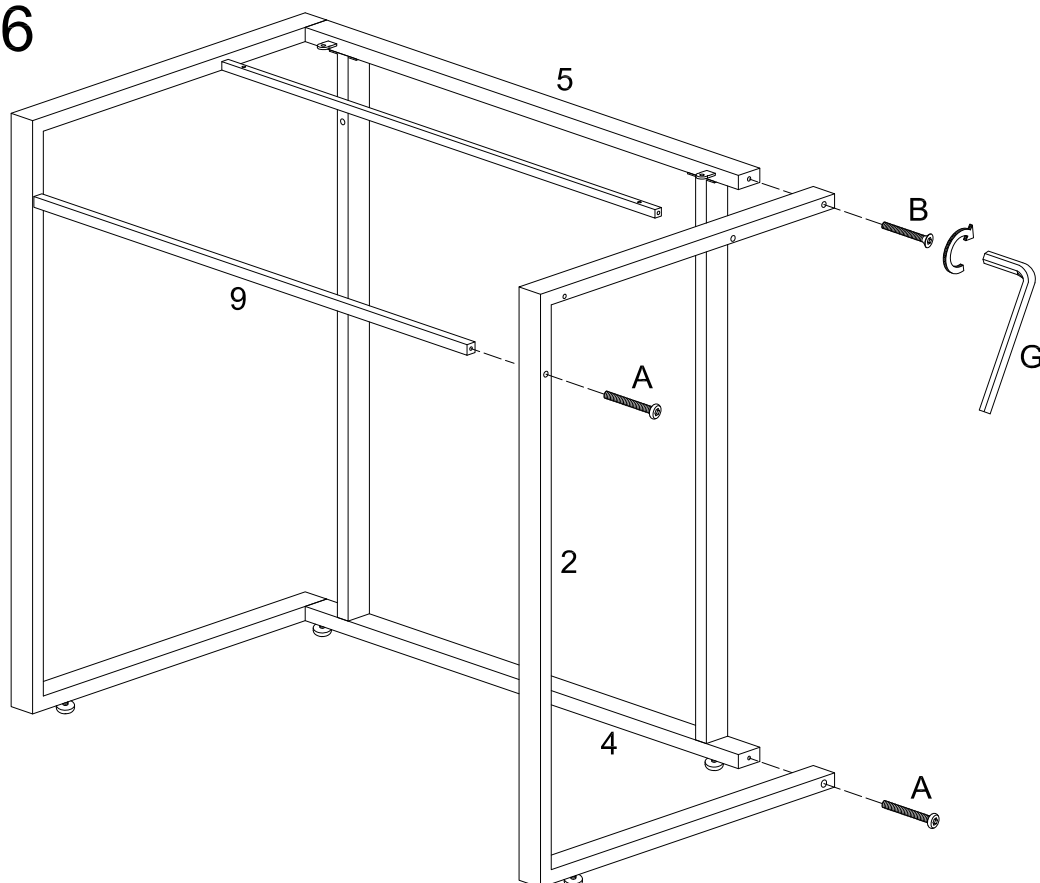
Attach crossbar (4) to crossbars (7) using medium bolts (C). Tighten medium bolts (C) with wrench (G).

Step 5



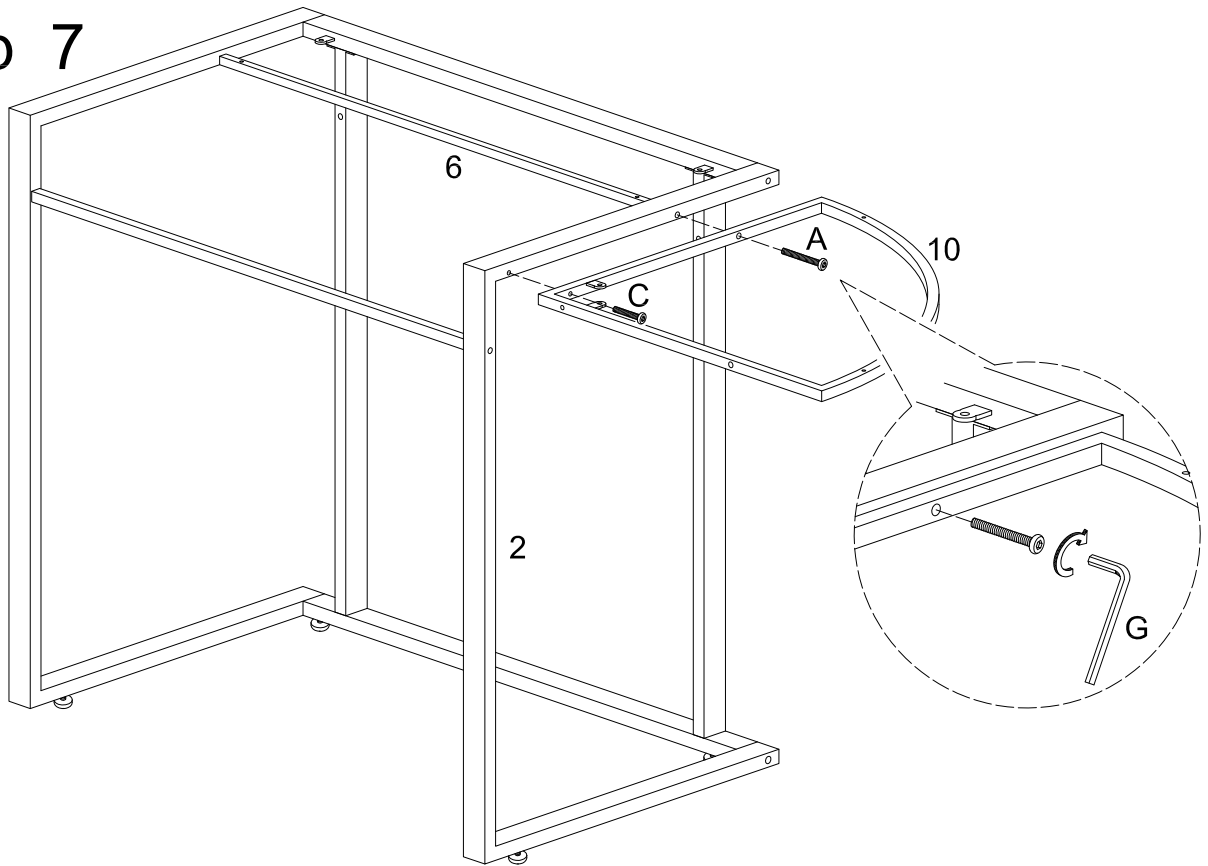
Attach lower crossbar (4), upper crossbar (5) and support bars (6,9) to leg (1) using long bolts (A). Tighten long bolts (A) with wrench (G).

Step 6



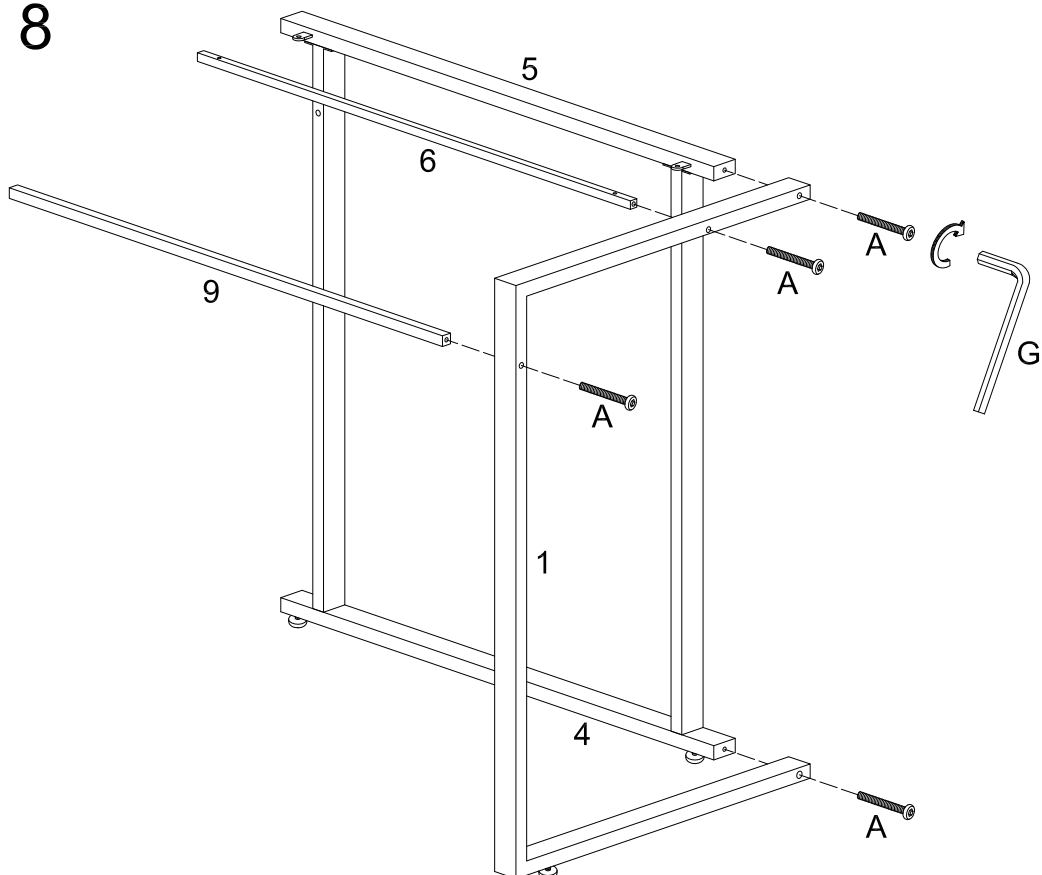
Attach support bar (9) and lower crossbar (4) to leg (2) using long bolts (A). Attach upper crossbar (5) to leg (2) using bolt (B). Tighten all bolts with wrench (G).

Step 7



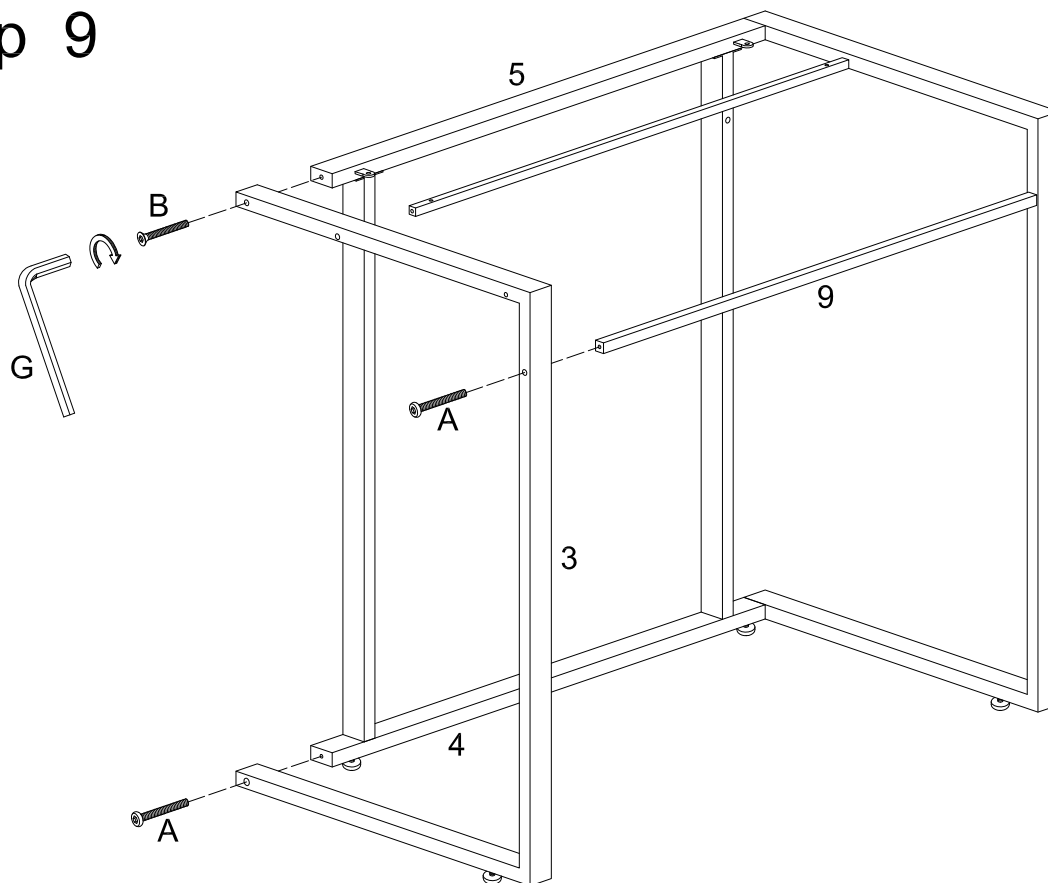
Attach leg (2) and corner frame (10) to support bar (6) from the previous step using long bolt (A). Attach corner frame (10) to leg (2) using medium bolt (C). Tighten all bolts with wrench (G).

Step 8



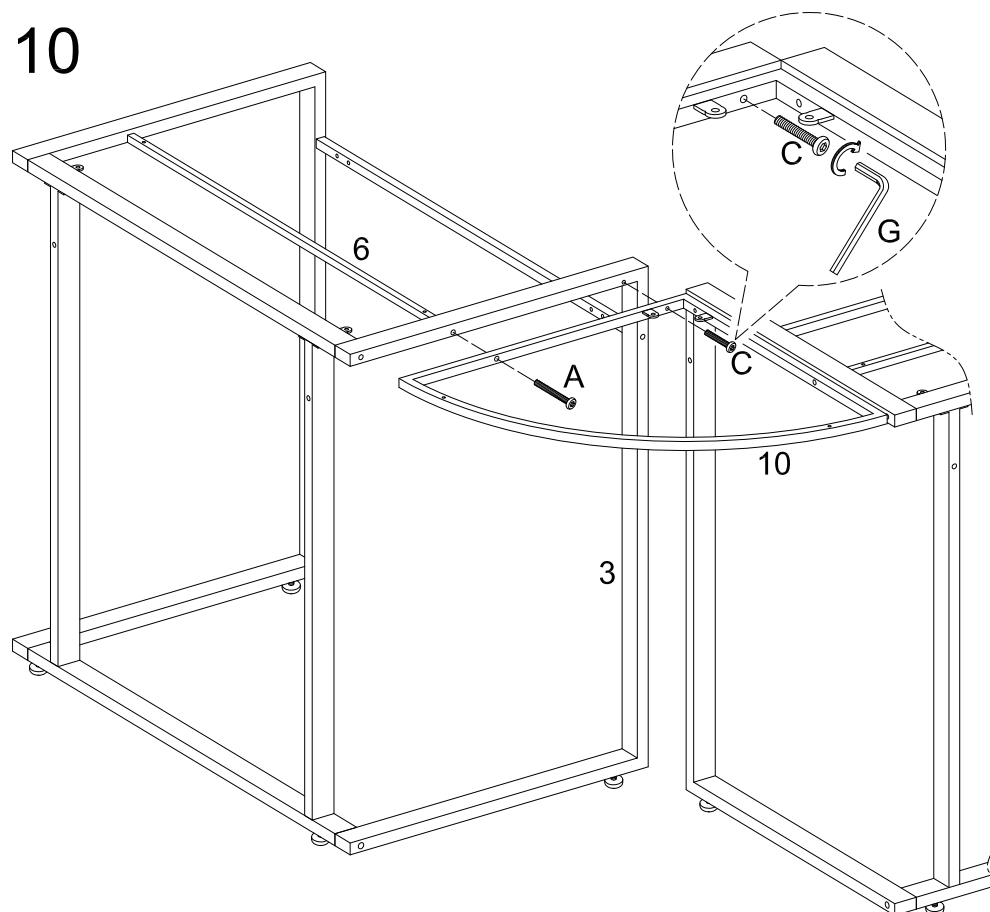
Attach lower crossbar (4), upper crossbar (5) and support bars (6,9) to leg (1) using long bolts (A). Tighten long bolts (A) with wrench (G).

Step 9



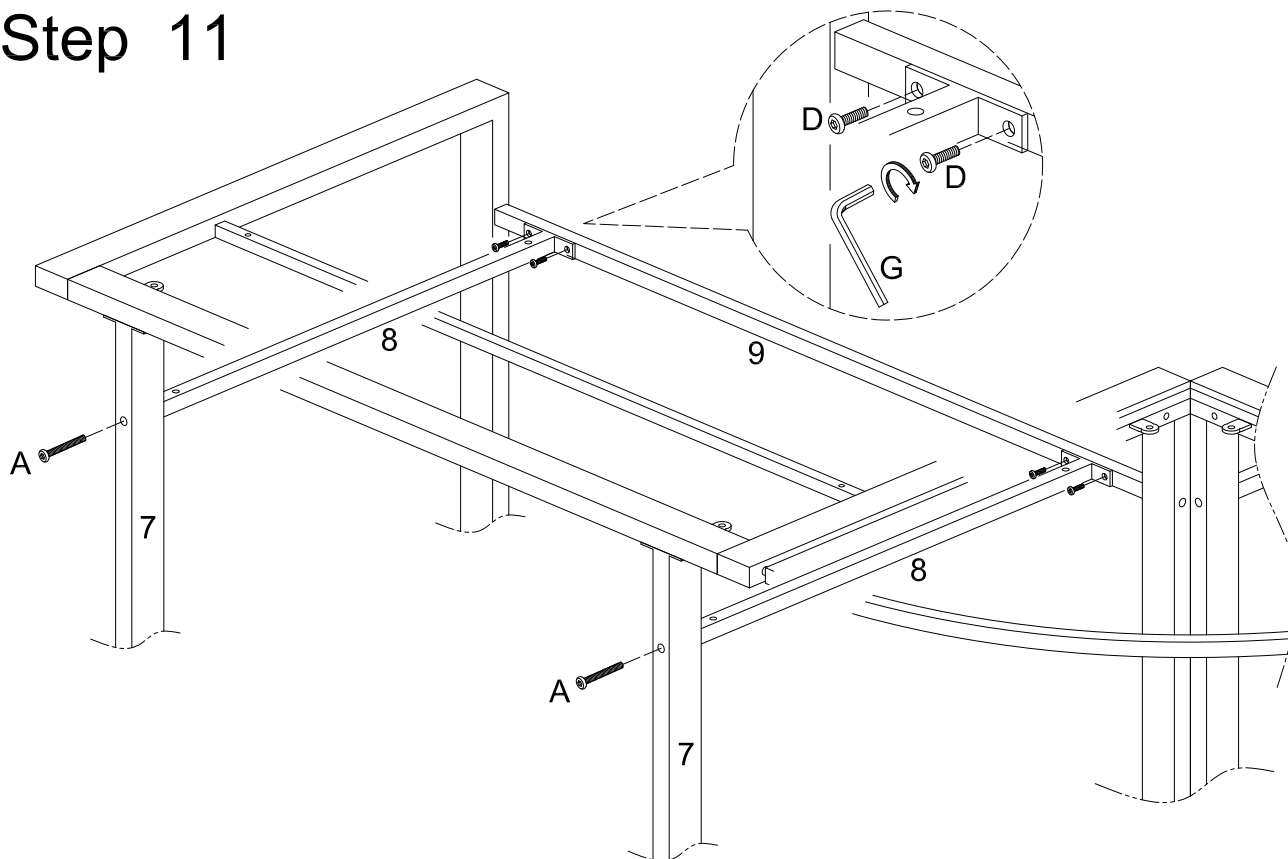
Attach support bar (9) and lower crossbar (4) to leg (3) using long bolts (A). Attach upper crossbar (5) to leg (3) using bolt (B). Tighten all bolts with wrench (G).

Step 10



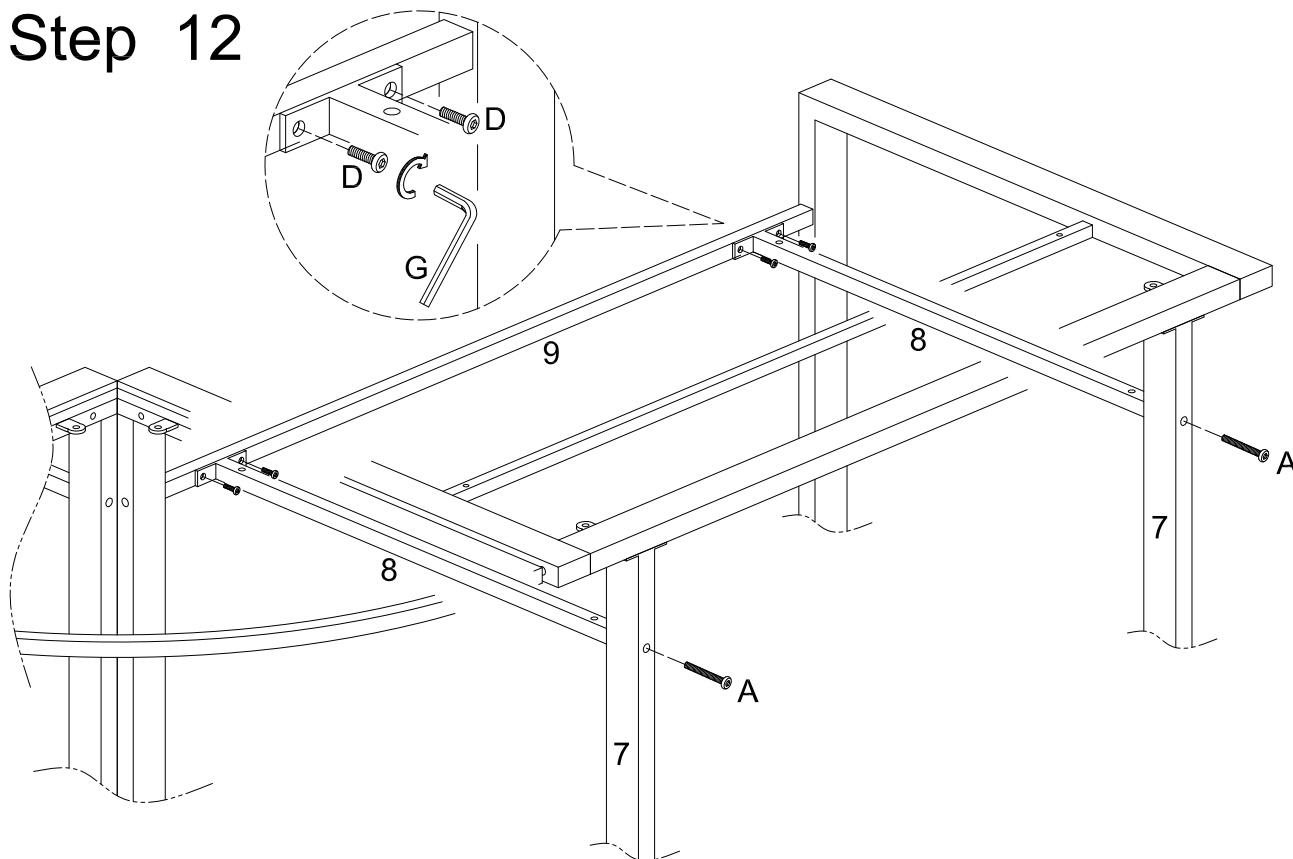
Attach leg (3) and crossbar (6) to corner frame (10) using long bolt (A) and bolt (C). Tighten all bolts with wrench (G).

Step 11



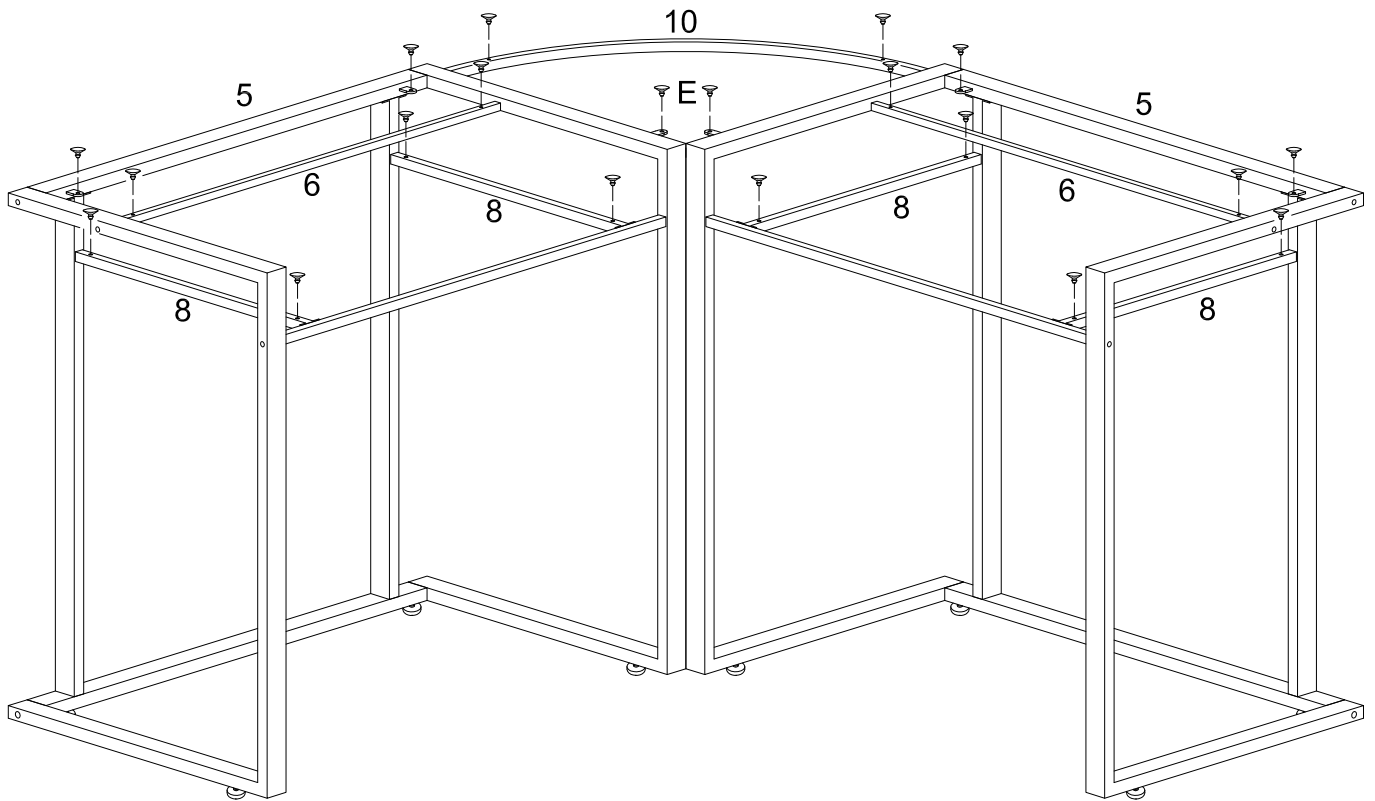
Attach glass support (8) to support bar (9) using short bolts (D). Attach medium crossbar (7) to glass support (8) using long bolts (A). Tighten all bolts with wrench (G).

Step 12



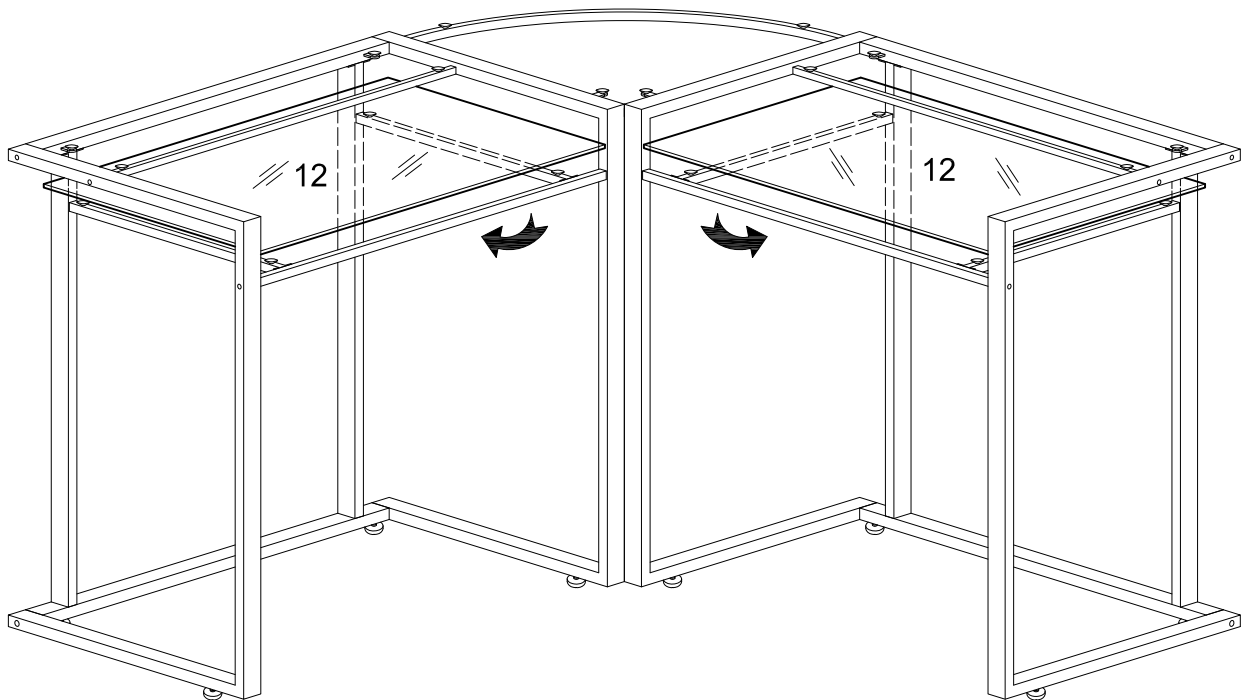
Attach glass support (8) to support bar (9) using short bolts (D). Attach medium crossbar (7) to glass support (8) using long bolts (A). Tighten all bolts with wrench (G).

Step 13



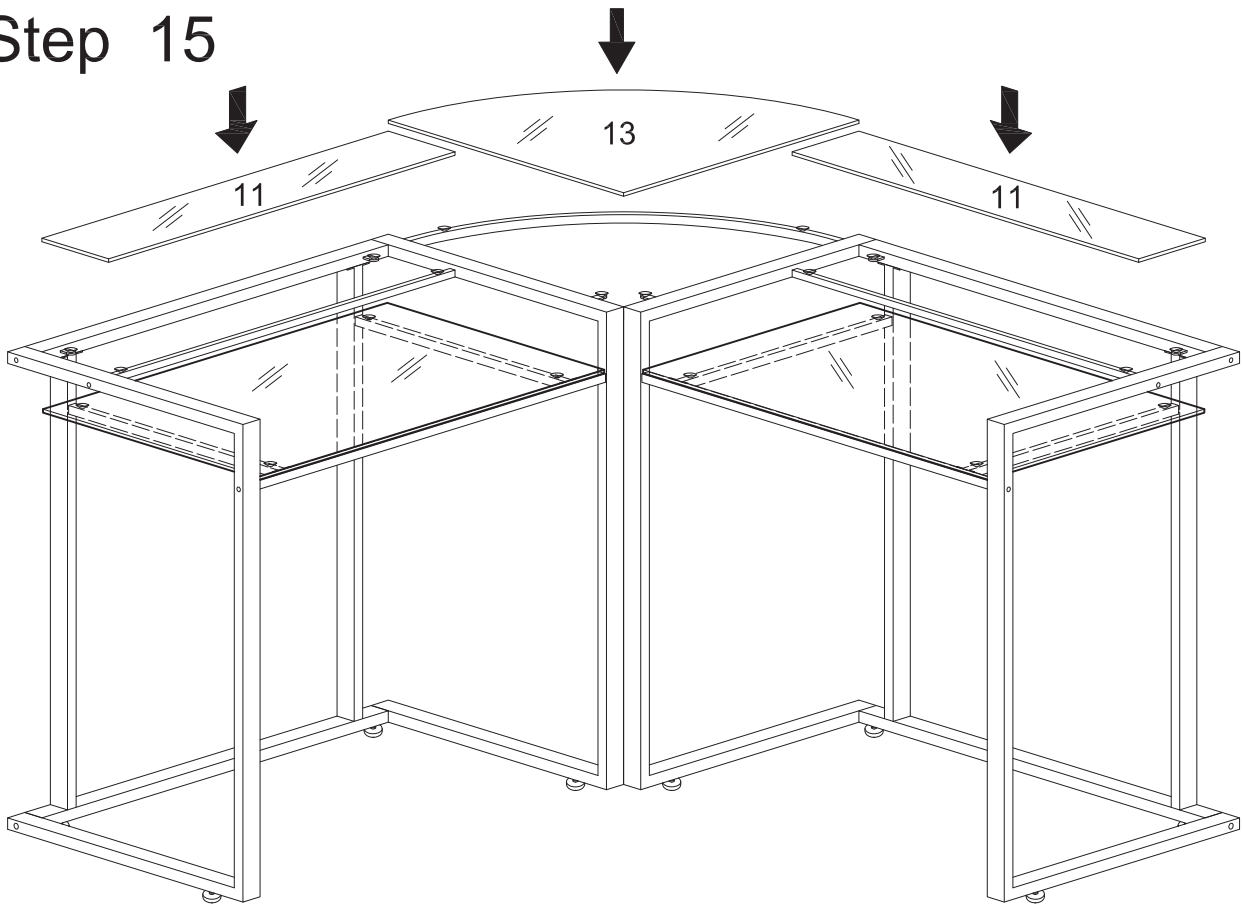
Insert rubber suction cups (E) into the desk frame as shown above.

Step 14



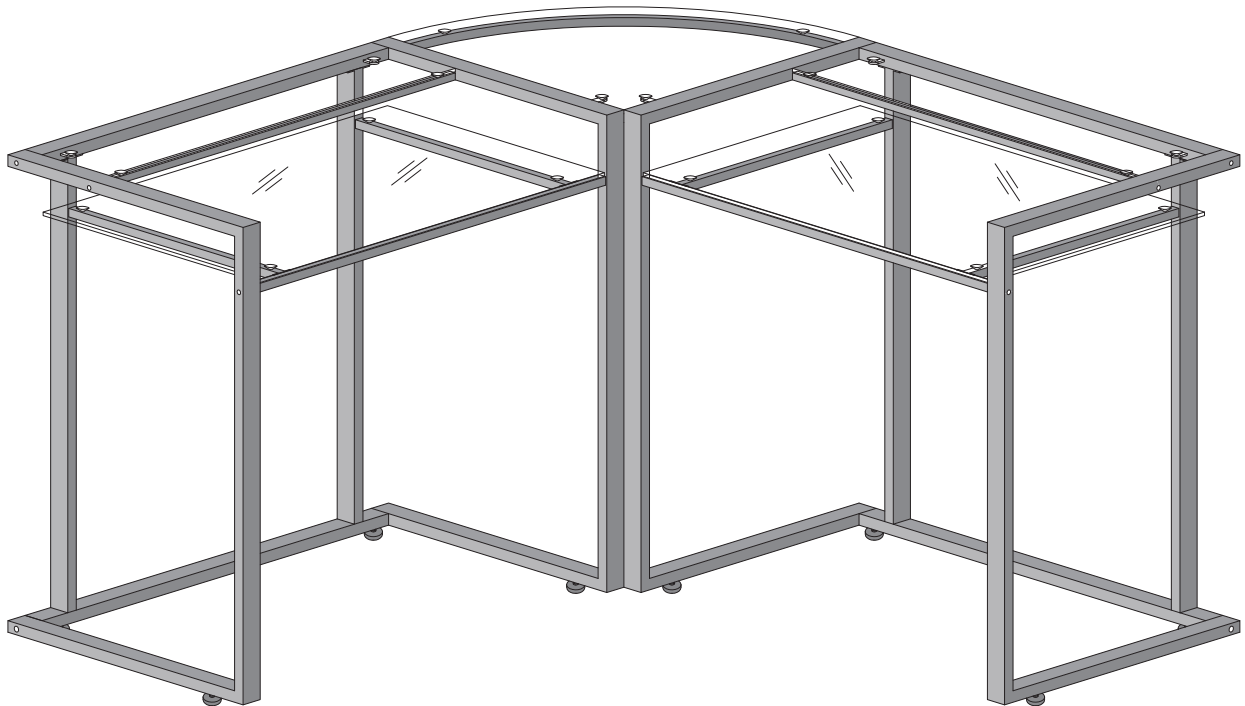
Carefully lay glass (12) into place and gently press on the suction cups to secure.

Step 15



Carefully lay glass (11) and corner glass (13) into place and gently press on the suction cups to secure.

Step 16



Final Assembly