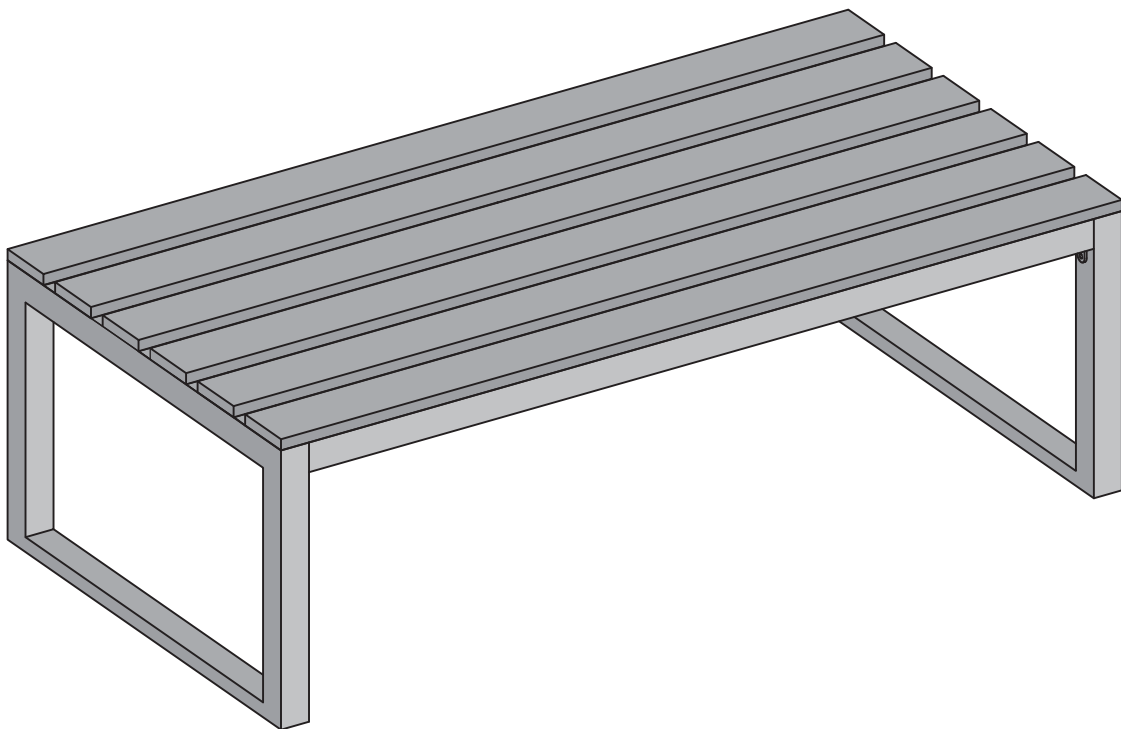




Walker  
Edison

furniture company

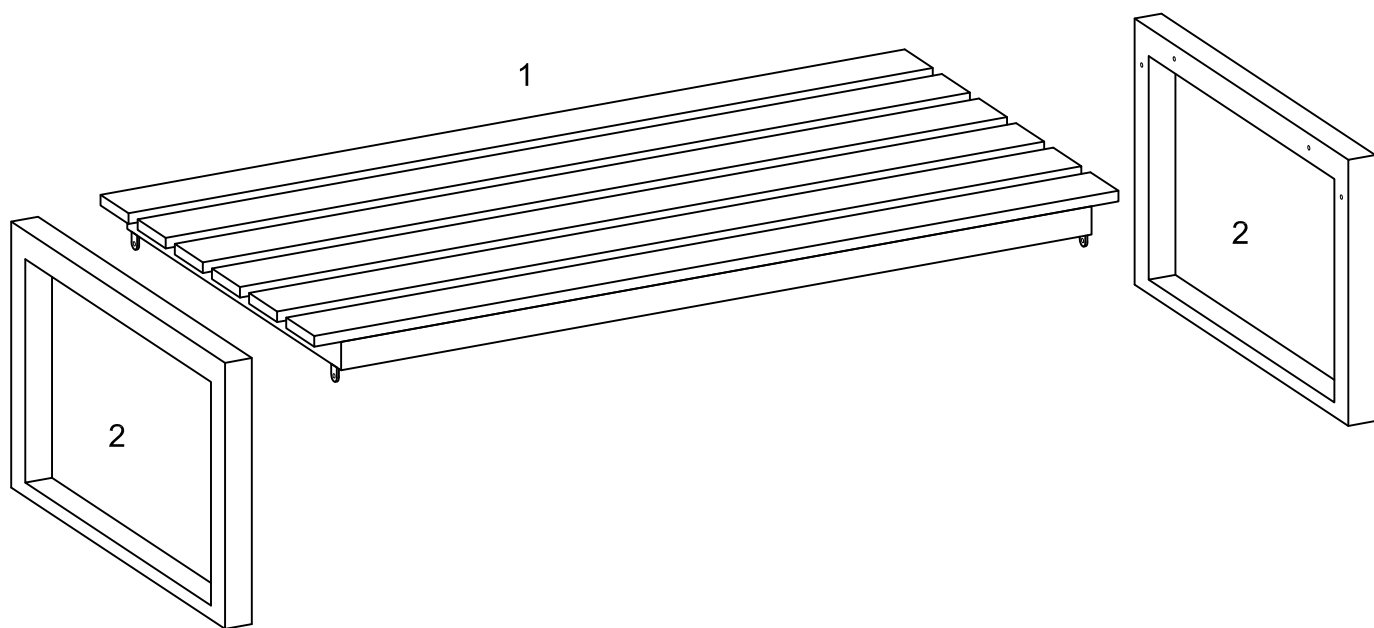
Item # :OAWCT-CHNBL-1  
Assembly Instructions





*For our most current instructions, to request missing, lost or broken parts, or for any other Customer Service issues, please visit our website at [www.walkeredison.com](http://www.walkeredison.com) or call us at 877-207-5906.*

Revised 04/2013

# Parts List

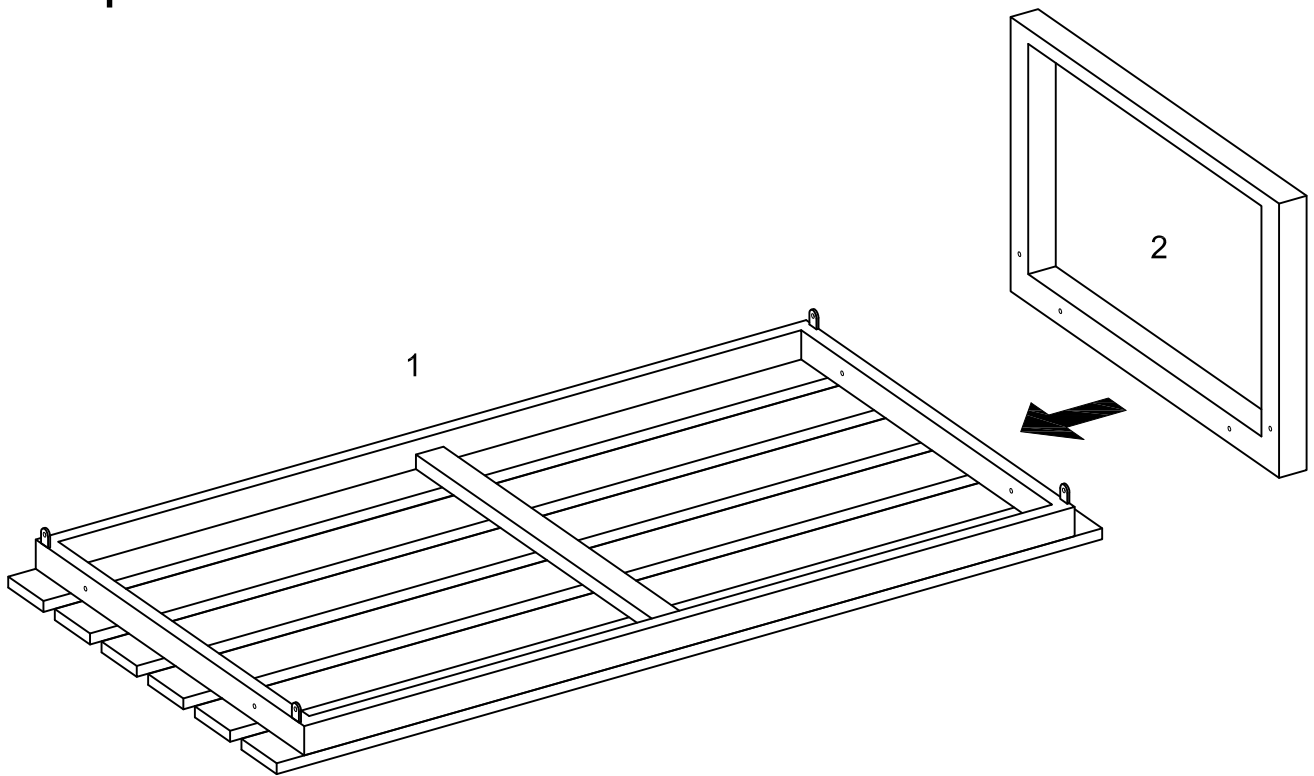


# Hardware List

A		M6*25(mm)	Bolt	4 pcs
B		M6*35(mm)	Bolt	4 pcs
C			Washer	8 pcs
D			Bolt cap	8 pcs
E		M4(mm)	Allen wrench	1 pc

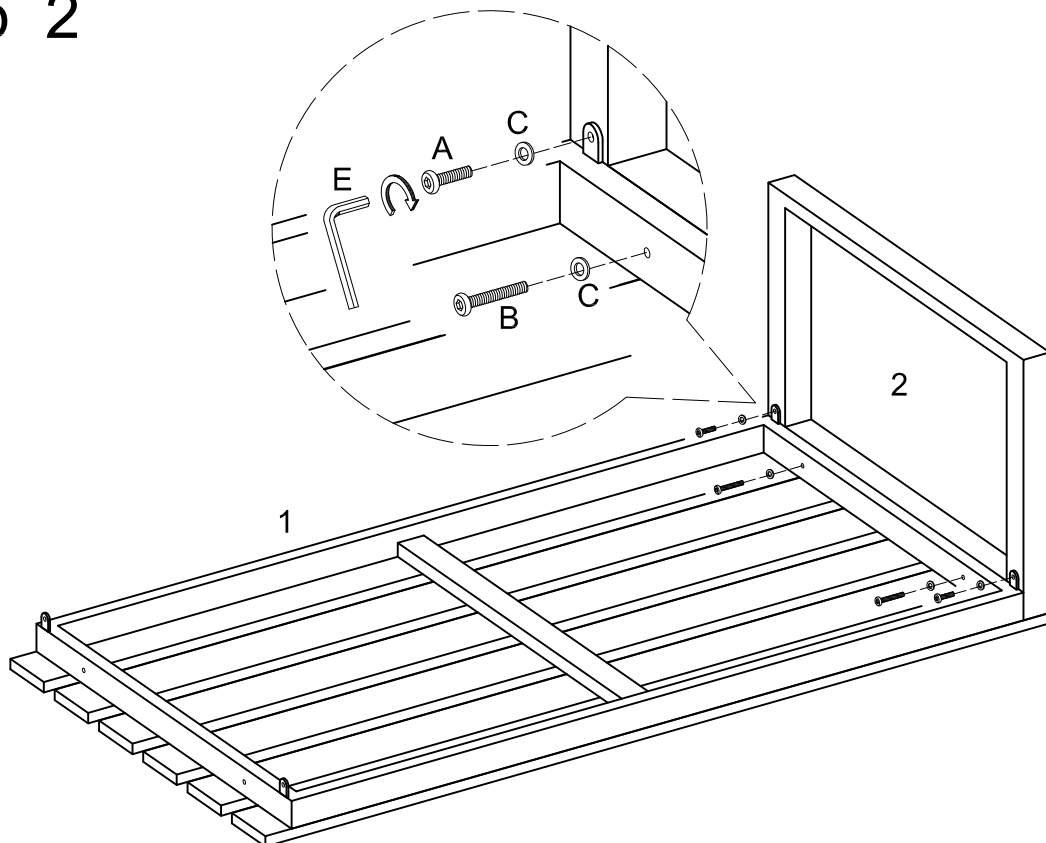
*The hardware quantities listed above are required for proper assembly.  
Some extra hardware may also have been included.*

# Step 1



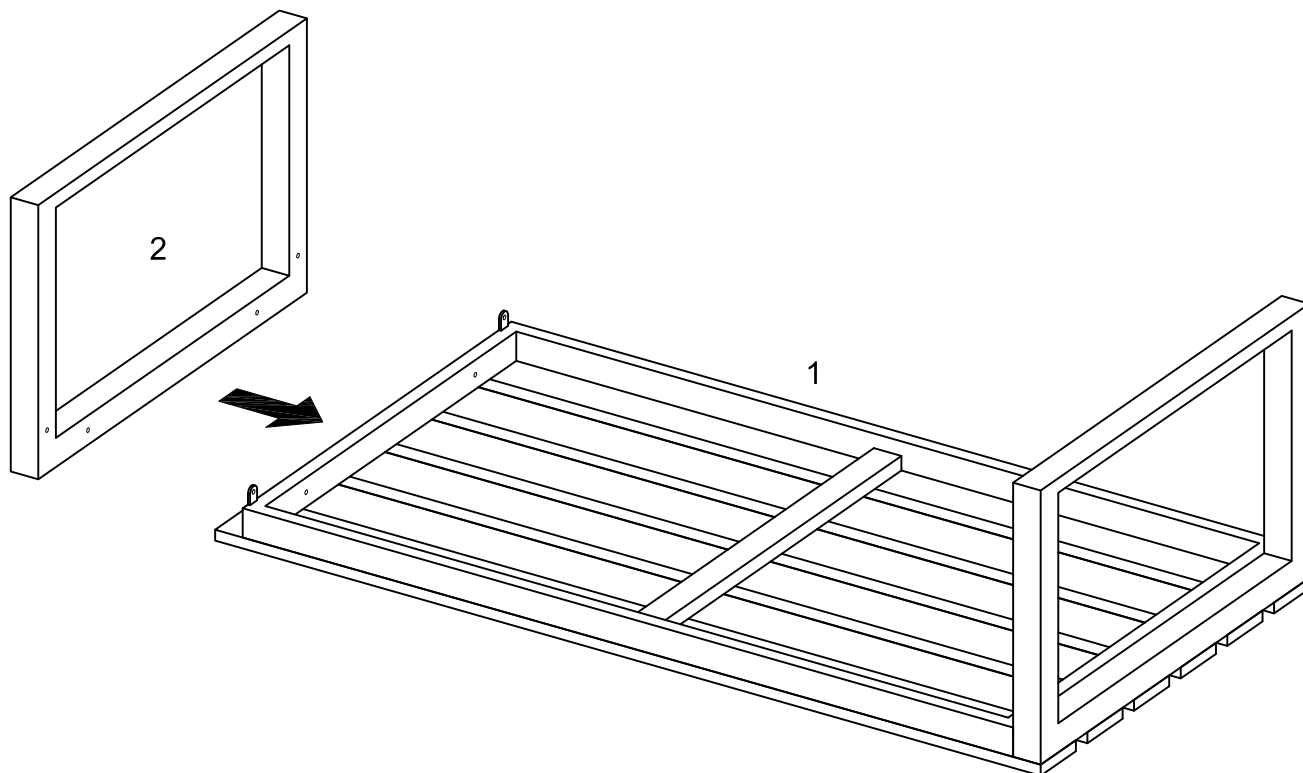
Attach table leg (2) to the table top (1) .

# Step 2



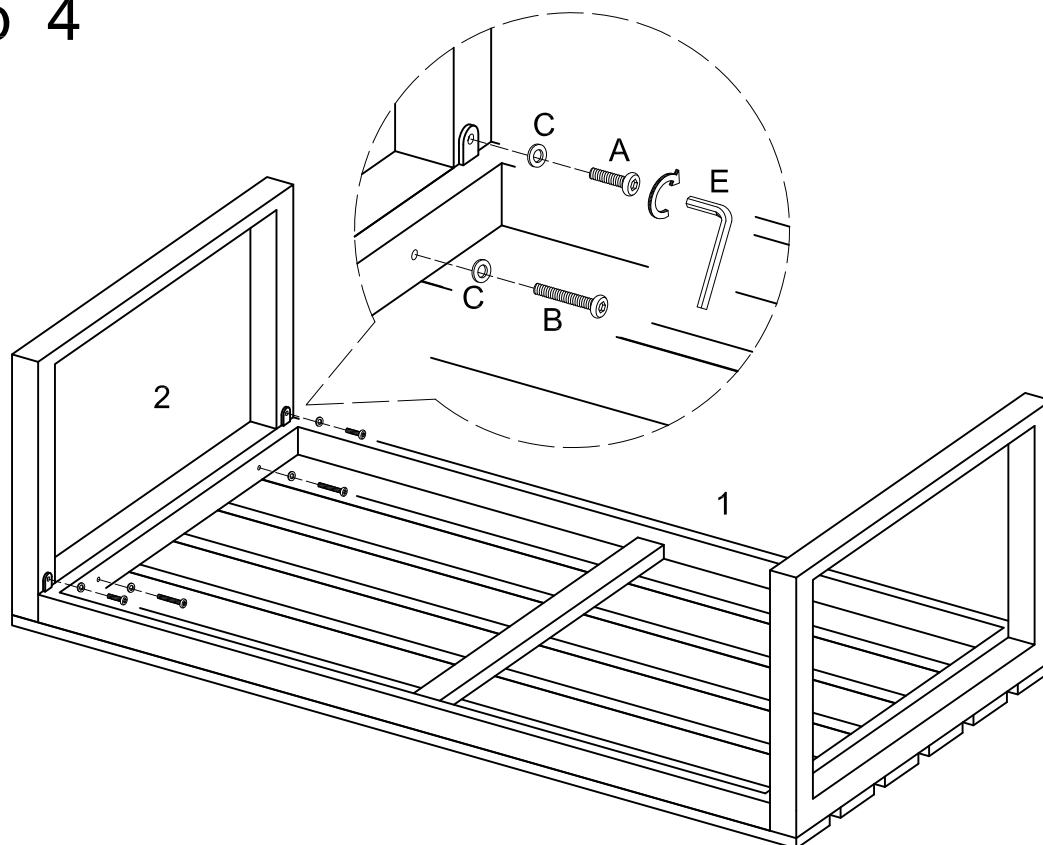
Attach table leg (2) to the table top (1) by using bolts (A,B) and washers (C). Tighten bolts (A, B) with wrench (E). Hands tighten the bolts only and do not tighten completely.

## Step 3



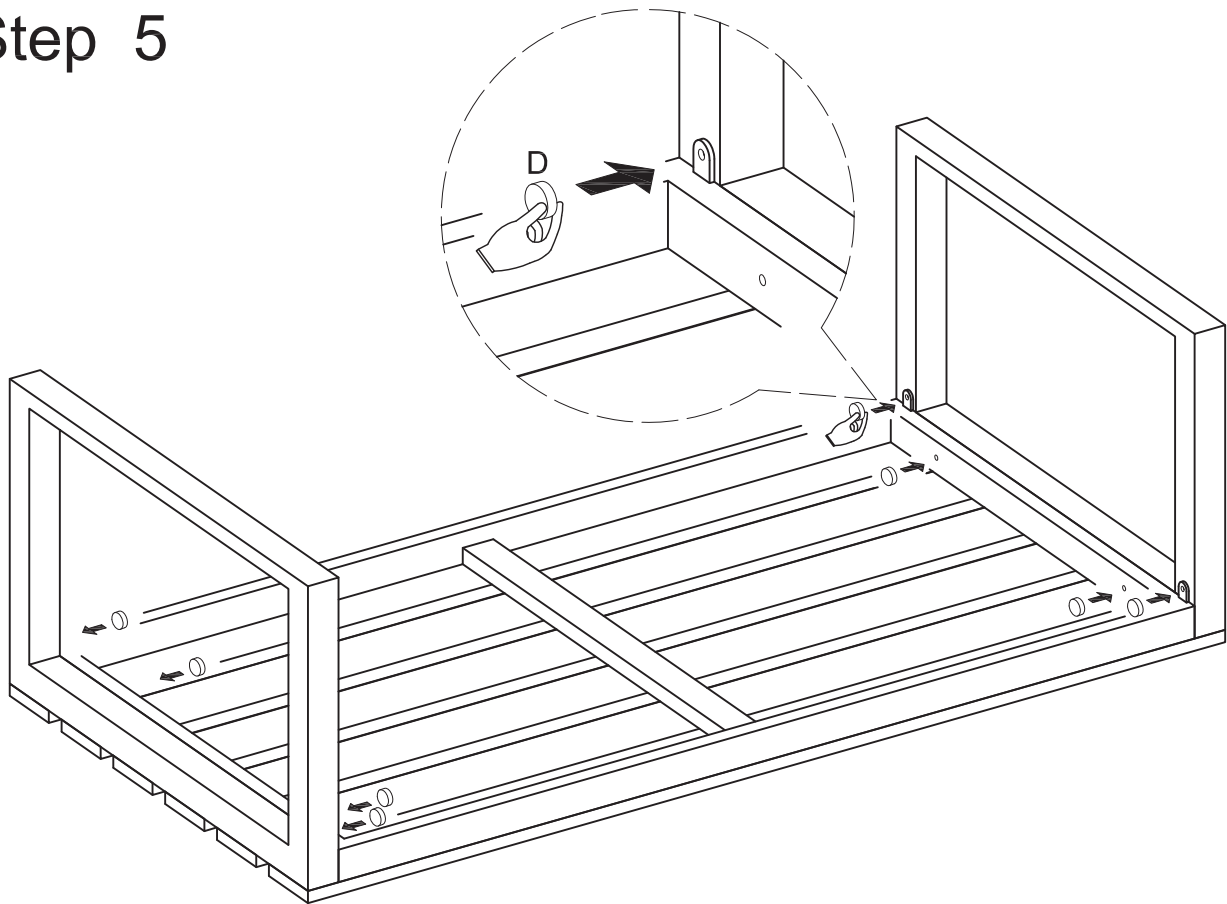
Attach table leg (2) to the table top (1) .

## Step 4



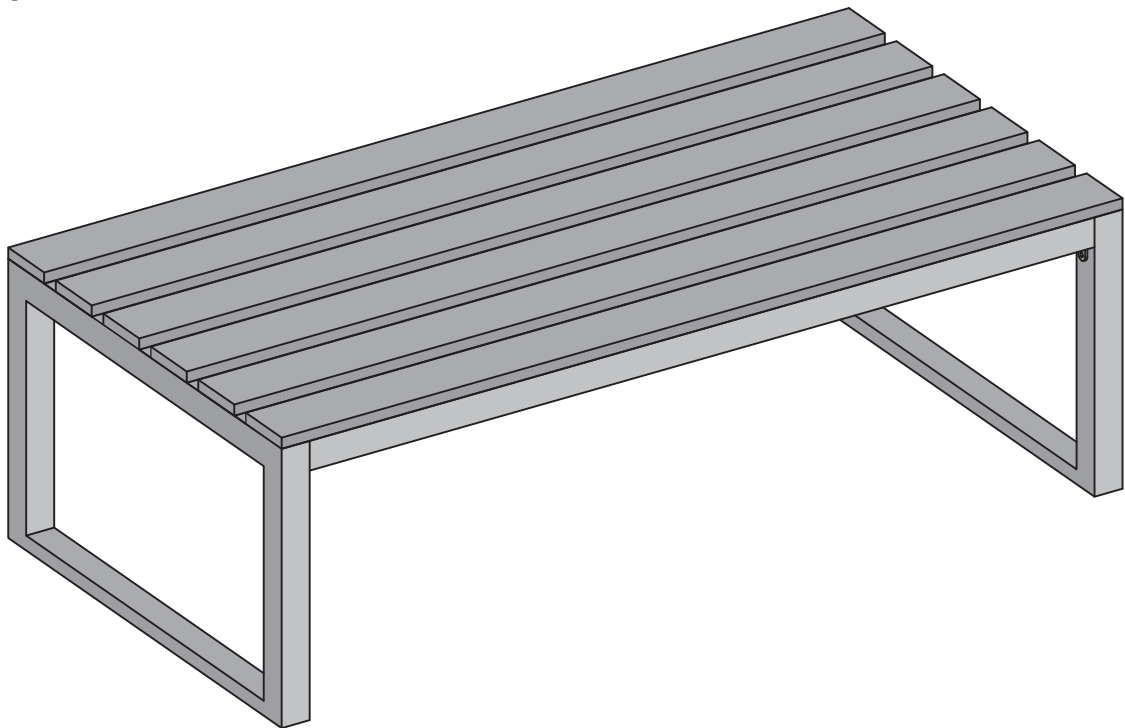
Attach table leg (2) to the table top (1) by using bolts (A,B) and washers (C). Tighten bolts (A, B) with wrench (E). Hands tighten the bolts only and do not tighten completely.

## Step 5



Tighten all bolts completely and cover them with the bolt caps (D).

## Step 6



Final Assembly