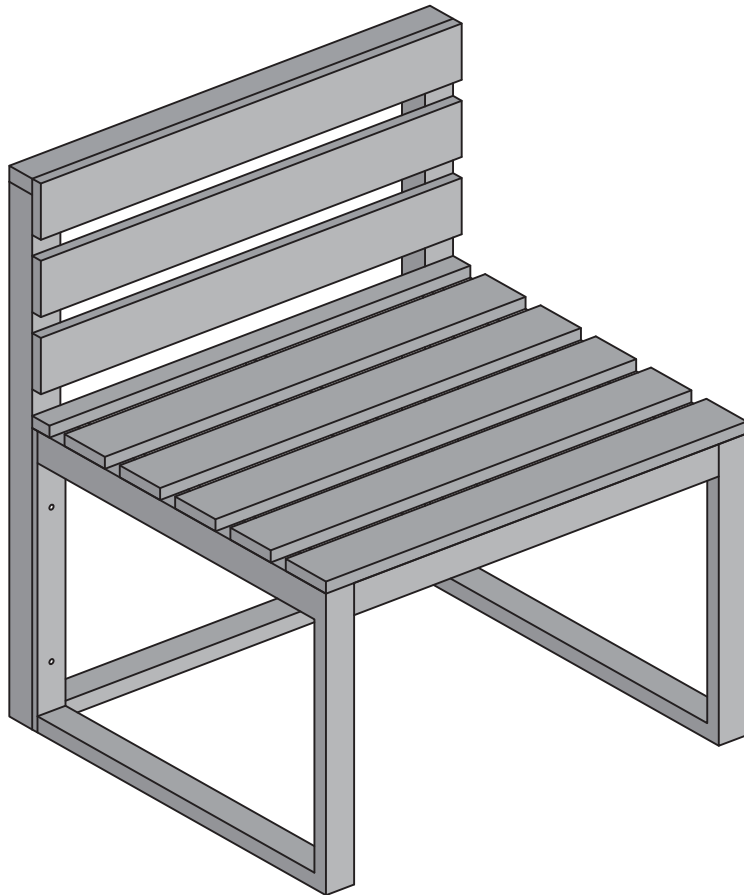




Walker
Edison

furniture company

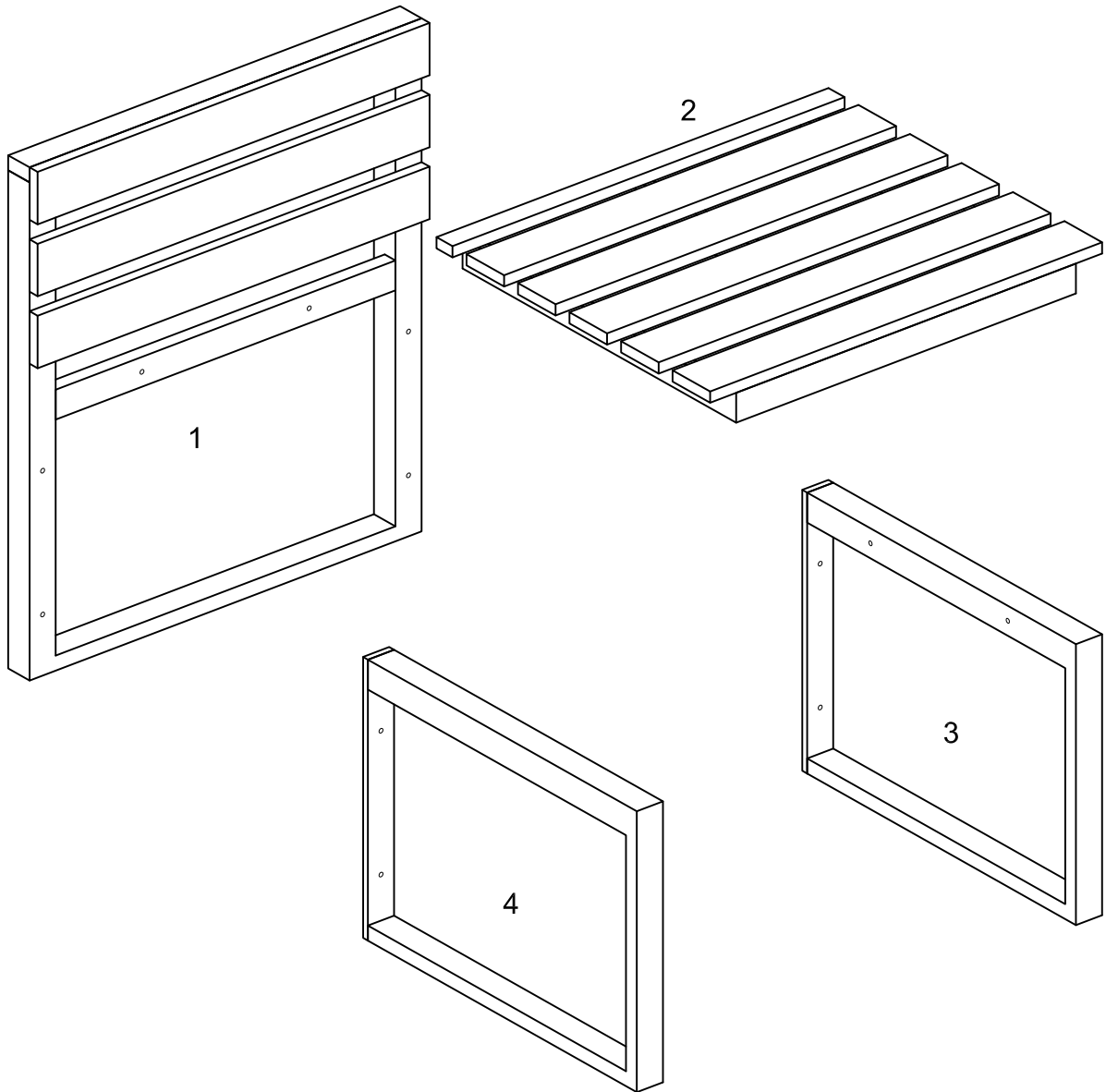
Item # :OAWCT-CHNBL-2
Assembly Instructions







For our most current instructions, to request missing, lost or broken parts, or for any other Customer Service issues, please visit our website at www.walkeredison.com or call us at 877-207-5906.

Revised 04/2013

Parts List

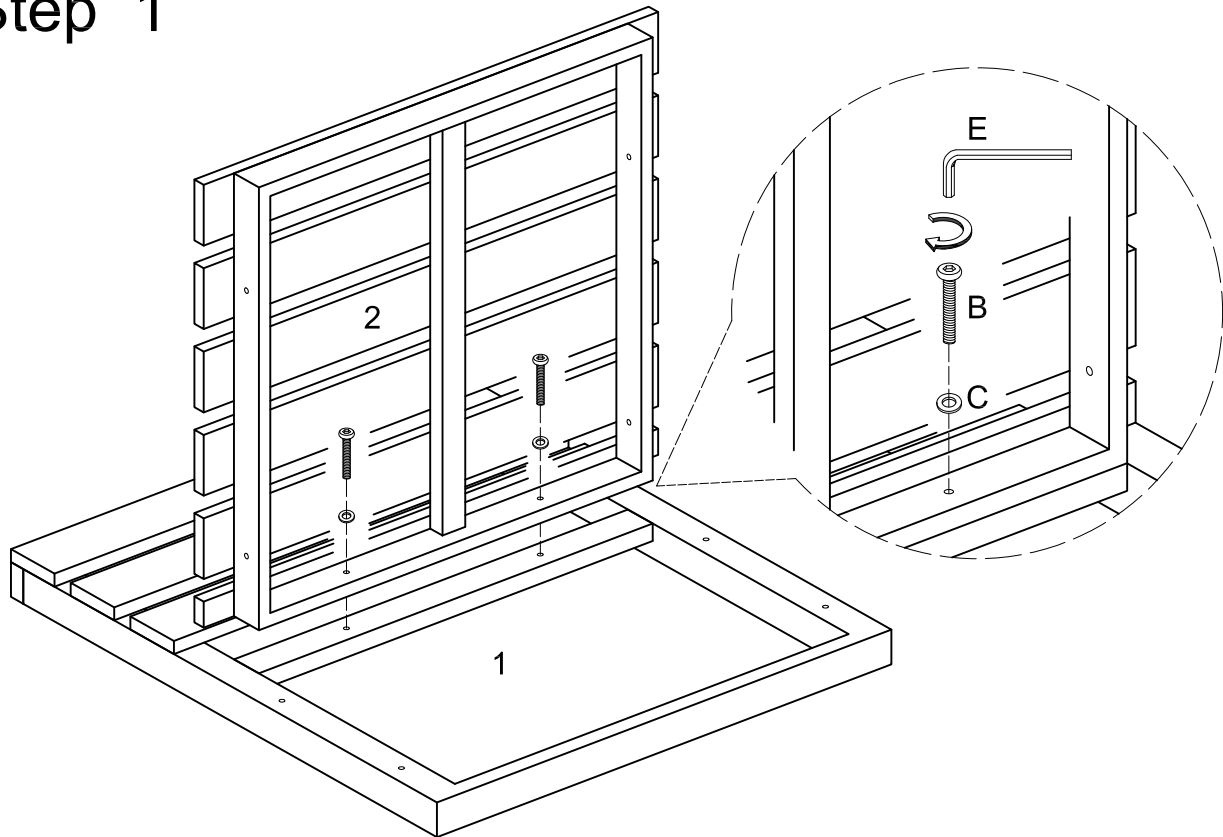


Hardware List

A		M6*25(mm)	Bolt	4 pcs
B		M6*35(mm)	Bolt	6 pcs
C			Washer	10 pcs
D			Bolt cap	10 pcs
E		M4(mm)	Allen wrench	1 pc

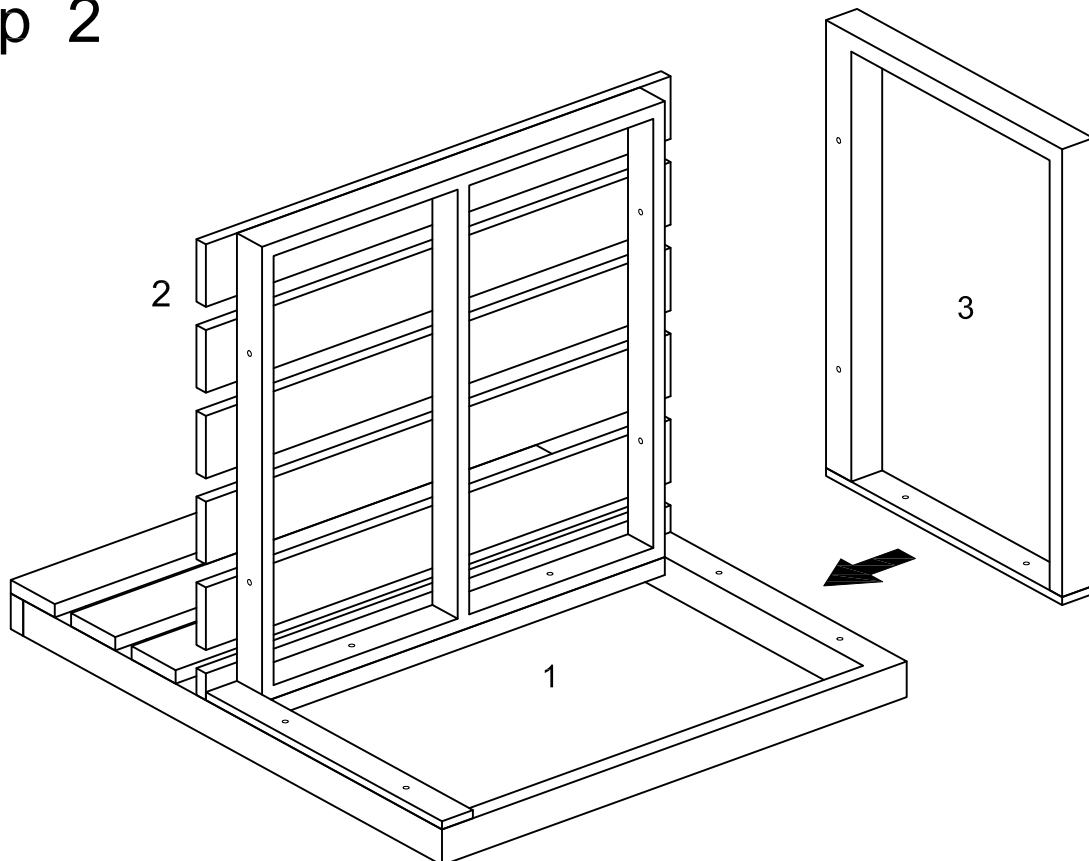
*The hardware quantities listed above are required for proper assembly.
Some extra hardware may also have been included.*

Step 1



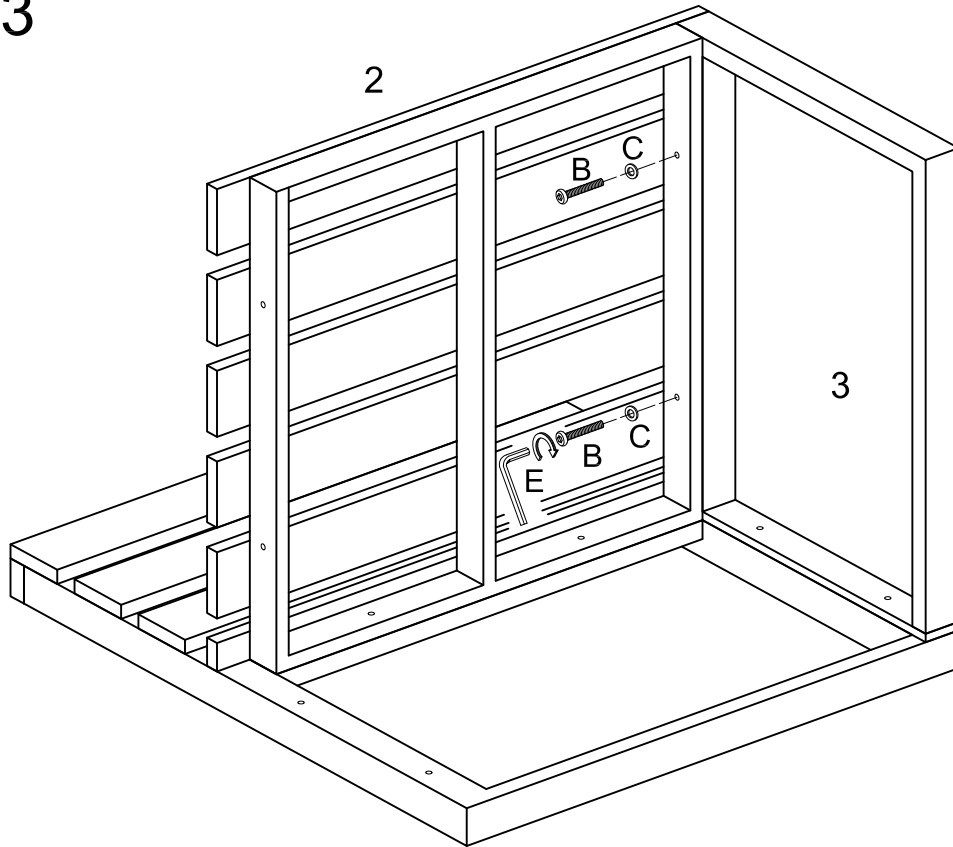
Attach seat frame (2) to the back frame (1) by using bolts (B) and washers (C). Tighten bolts (B) with wrench (E). Hands tighten the bolts only and do not tighten completely.

Step 2



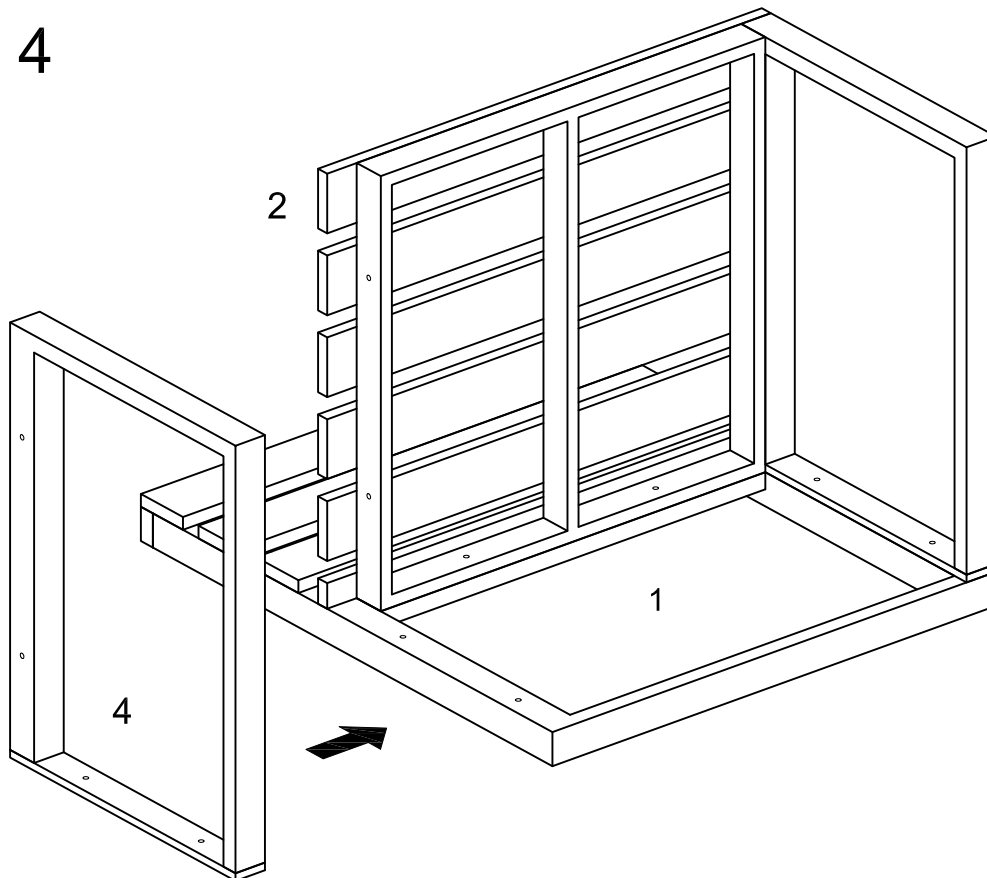
Attach left leg (3) to the back frame (1) and seat frame (2) .

Step 3



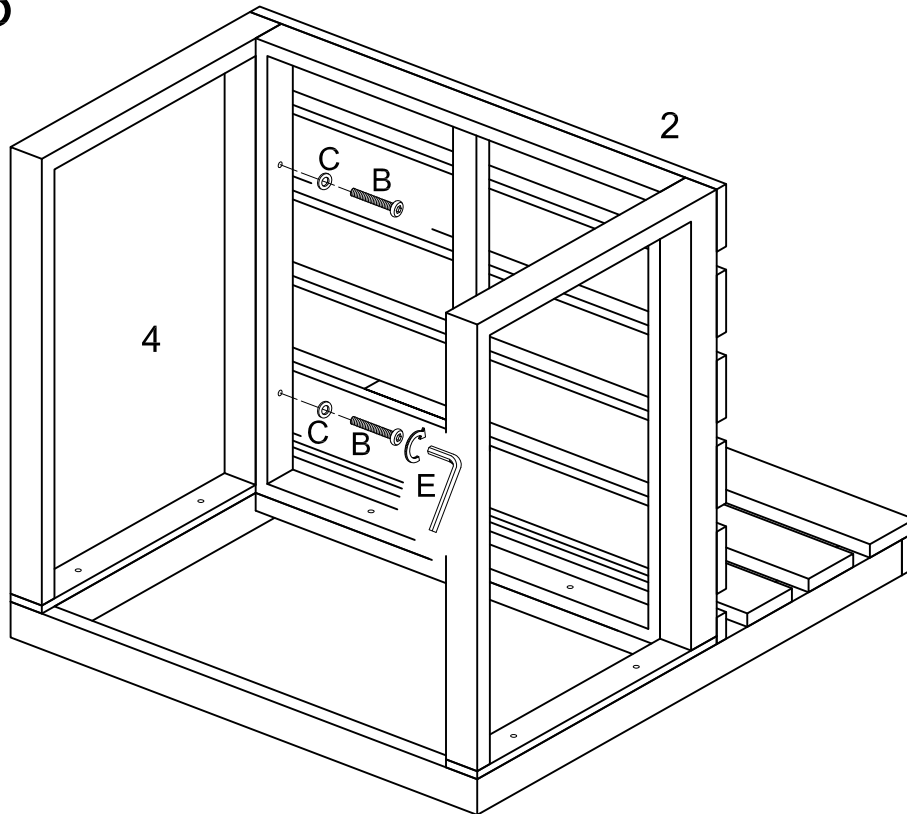
Attach left leg (3) to the seat frame (2) by using bolts (B) and washers (C). Tighten bolts (B) with wrench (E). Hands tighten the bolts only and do not tighten completely.

Step 4



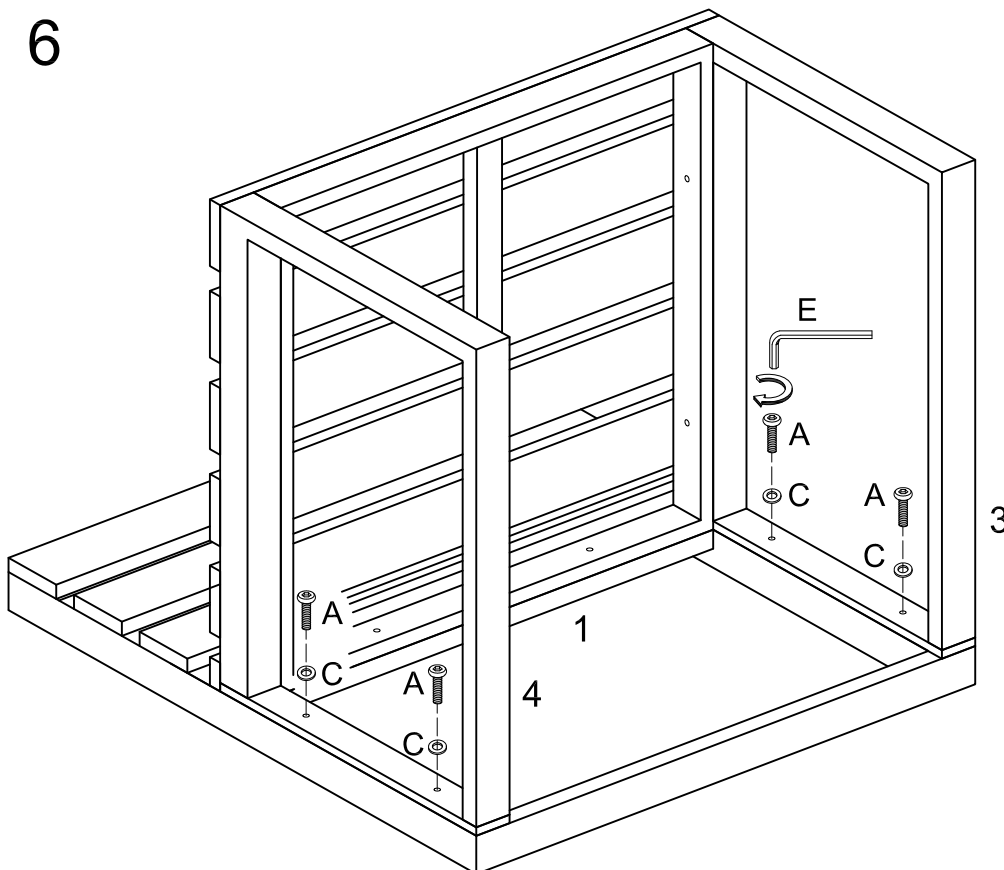
Attach right leg (4) to the back frame (1) and seat frame (2) .

Step 5



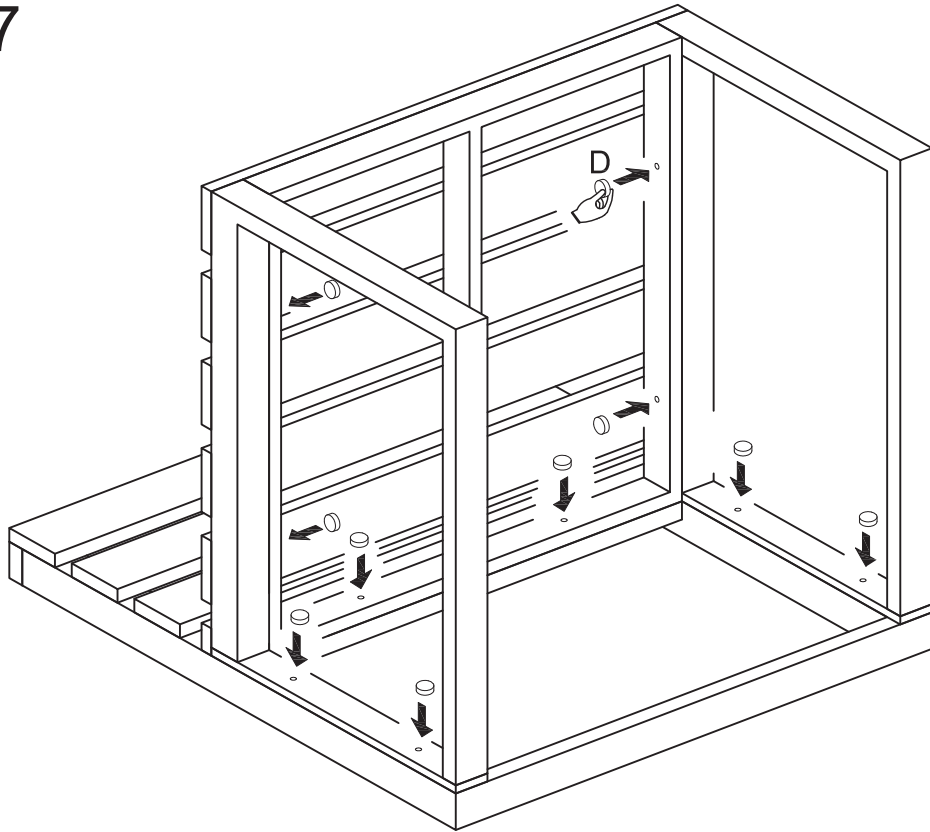
Attach right leg (4) to the seat frame (2) by using bolts (B) and washers (C). Tighten bolts (B) with wrench (E). Hands tighten the bolts only and do not tighten completely.

Step 6



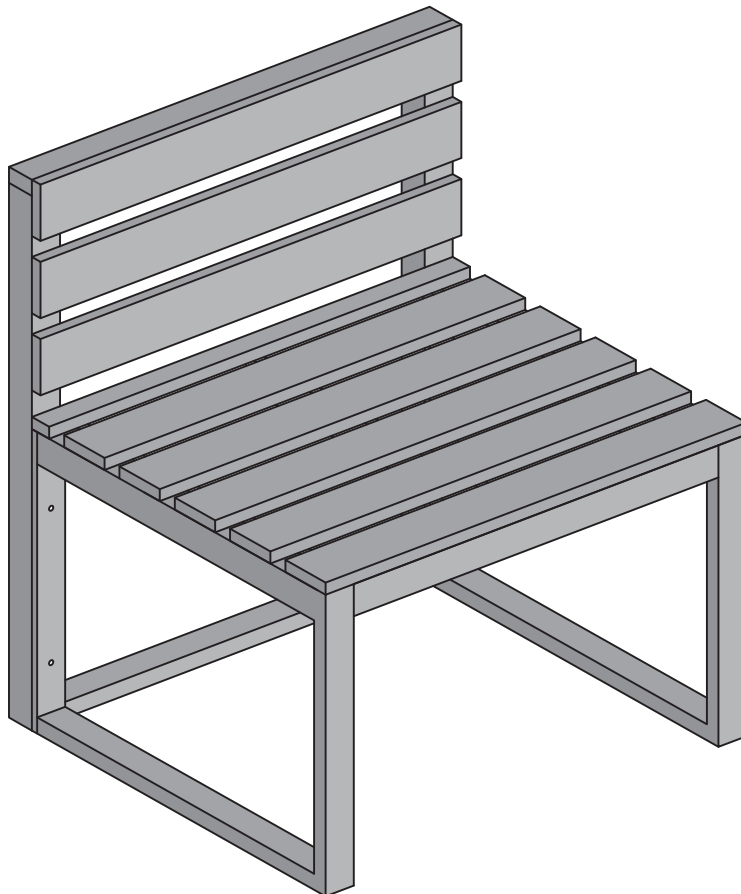
Attach left(right) leg (3 , 4) to the back frame (1) by using bolts (A) and washers (C). Tighten bolts (A) with wrench (E). Hands tighten the bolts only and do not tighten completely.

Step 7



Tighten all bolts completely and cover them with the bolt caps (D).

Step 8



Final Assembly