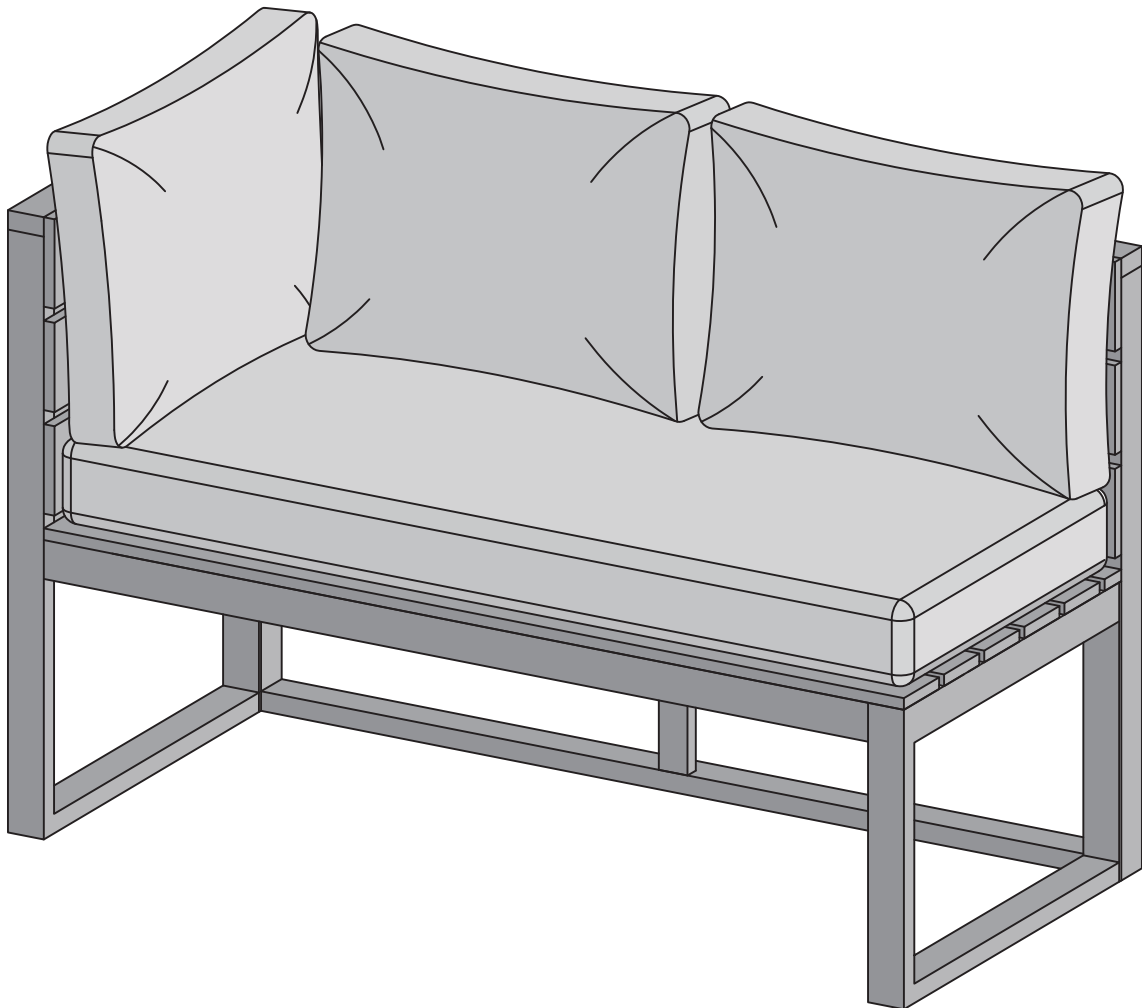


**W** Walker  
**E** Edison  
furniture company

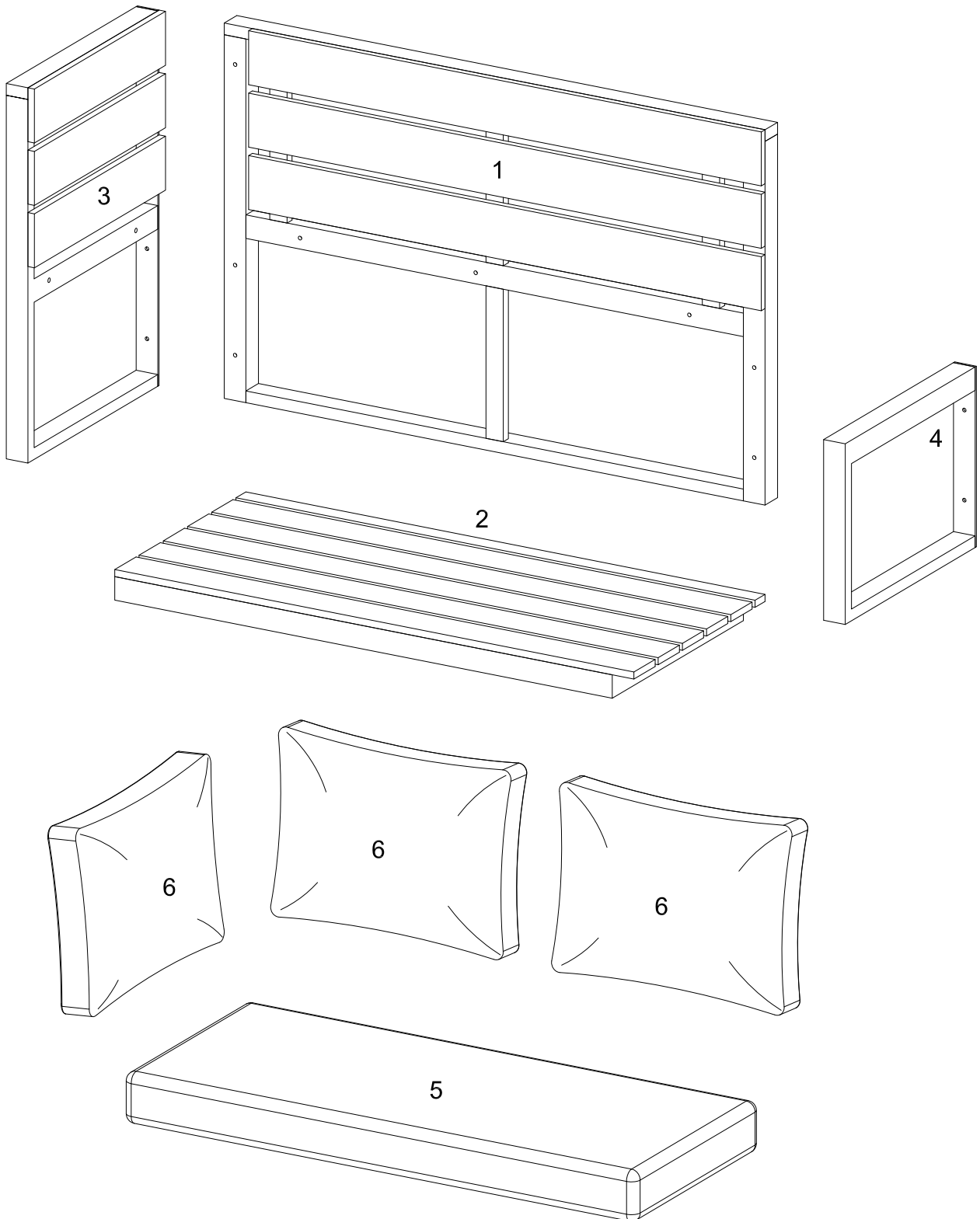
Item # :OAWS2NBL-RIGHT  
Assembly Instructions








*For our most current instructions, to request missing, lost or broken parts, or for any other Customer Service issues, please visit our website at [www.walkerredison.com](http://www.walkerredison.com) or call us at 877-207-5906.*

Revised 05/2013

# Parts List

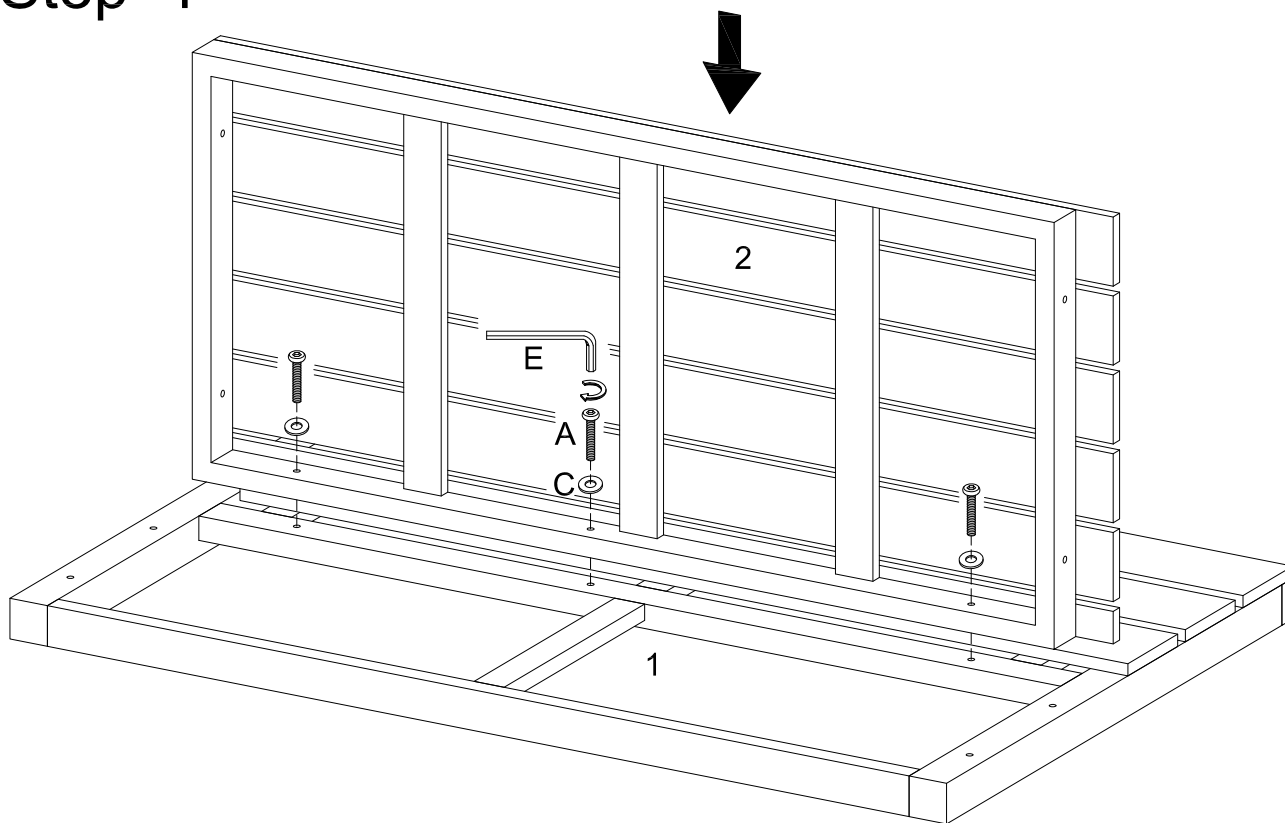


# Hardware List

|   |   |         |            |        |
|---|---|---------|------------|--------|
| A |  | M6*35mm | Long boot  | 7 pcs  |
| B |  | M6*25mm | Short boot | 5 pcs  |
| C |  |         | Washer     | 12 pcs |
| D |  |         | Boot cap   | 12 pcs |
| E |  | M4mm    | Wrench     | 1 pc   |

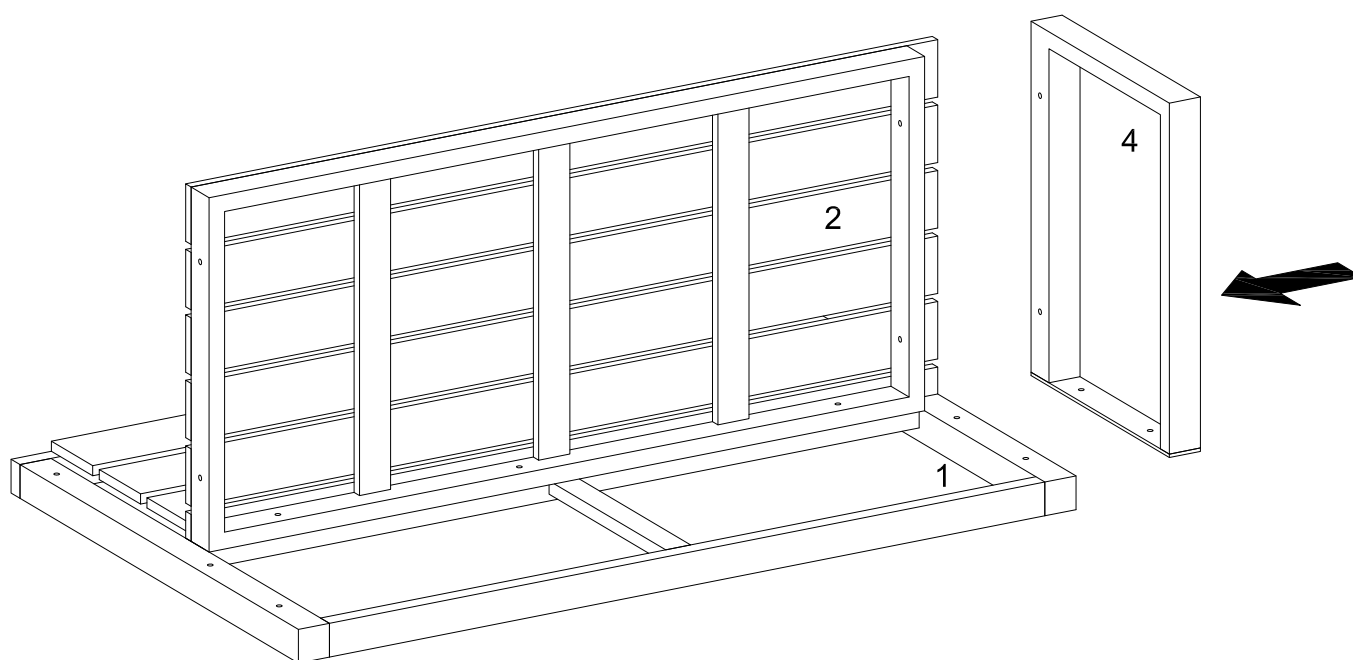
*The hardware quantities listed above are required for proper assembly.  
Some extra hardware may also have been included.*

# Step 1



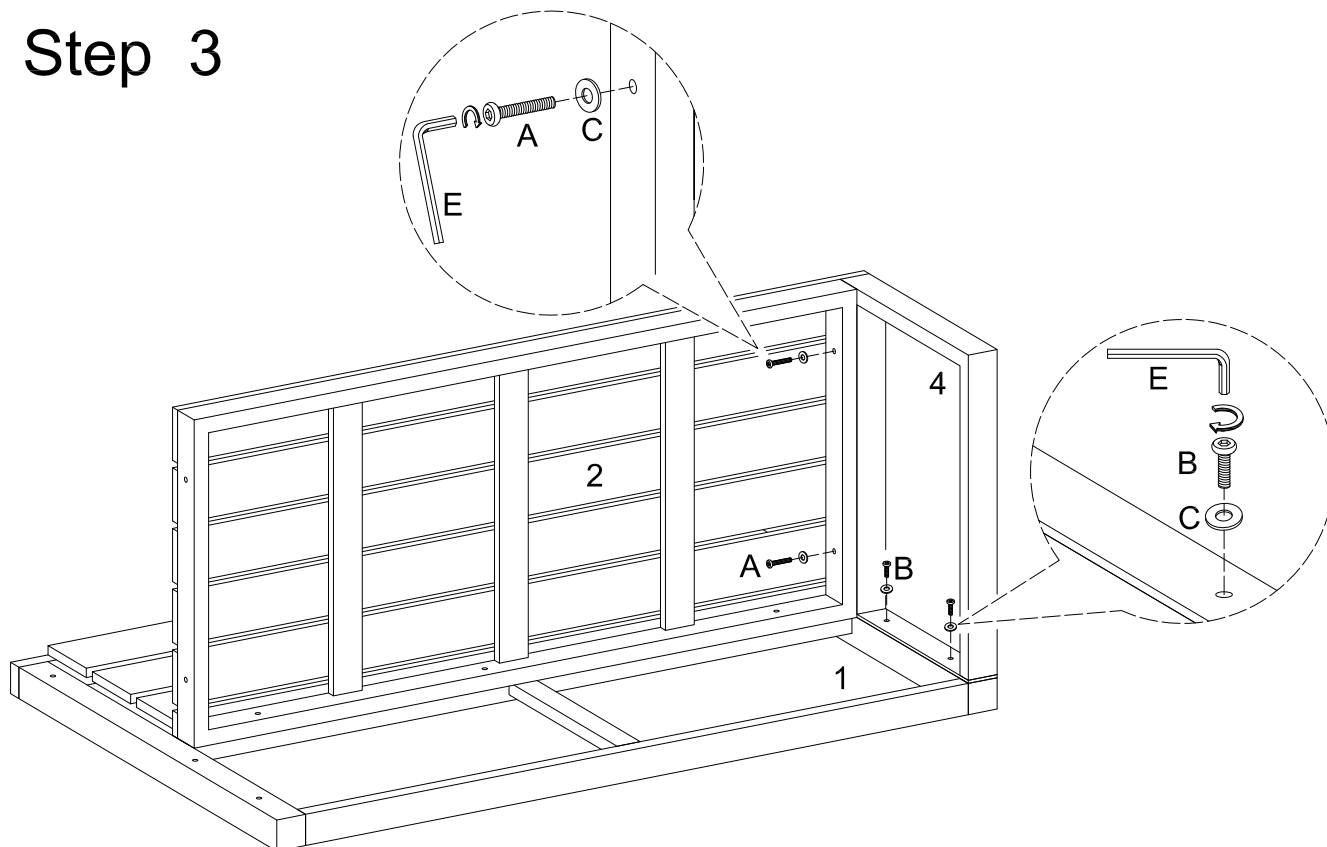
Attach seat frame (2) to back frame (1) using long bolts (A) and washers (C) .Tighten long bolts (A) with wrench (E).Hands tighten all bolts only and not tighten completely.

# Step 2



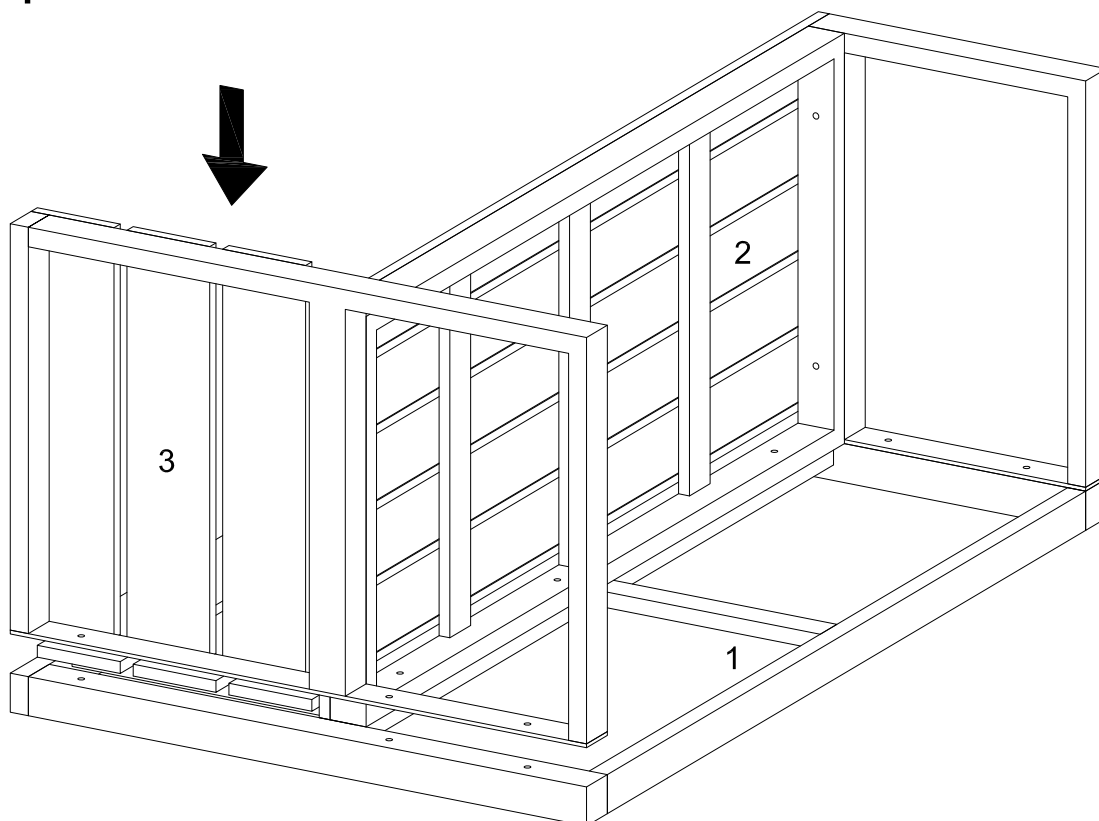
Attach left leg (4) to seat frame (2) using bolts as guides.

## Step 3



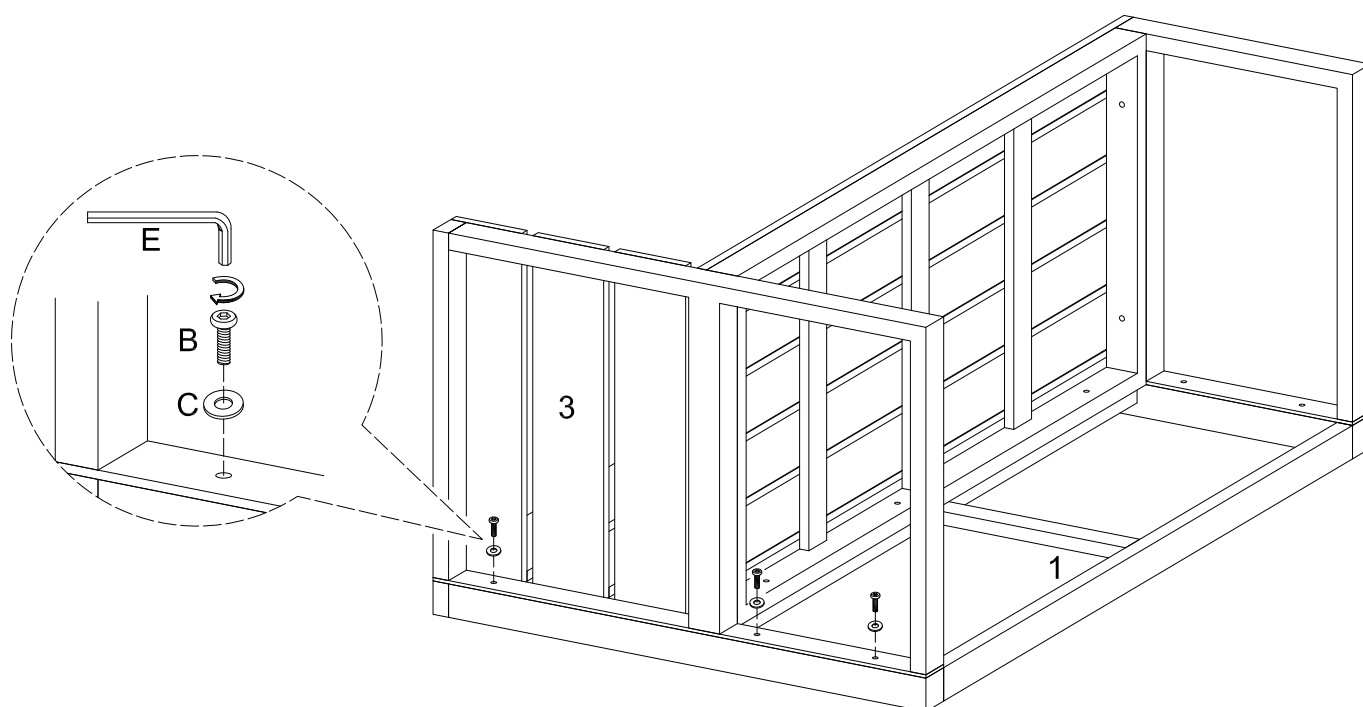
Attach seat frame (2) to left leg (4) using long bolts (A) and washers (C). Attach left leg (4) to back frame (1) using short bolts (B) and washers (C). Tighten all bolts with wrench (E). Hands tighten all bolts only and not tighten completely.

## Step 4



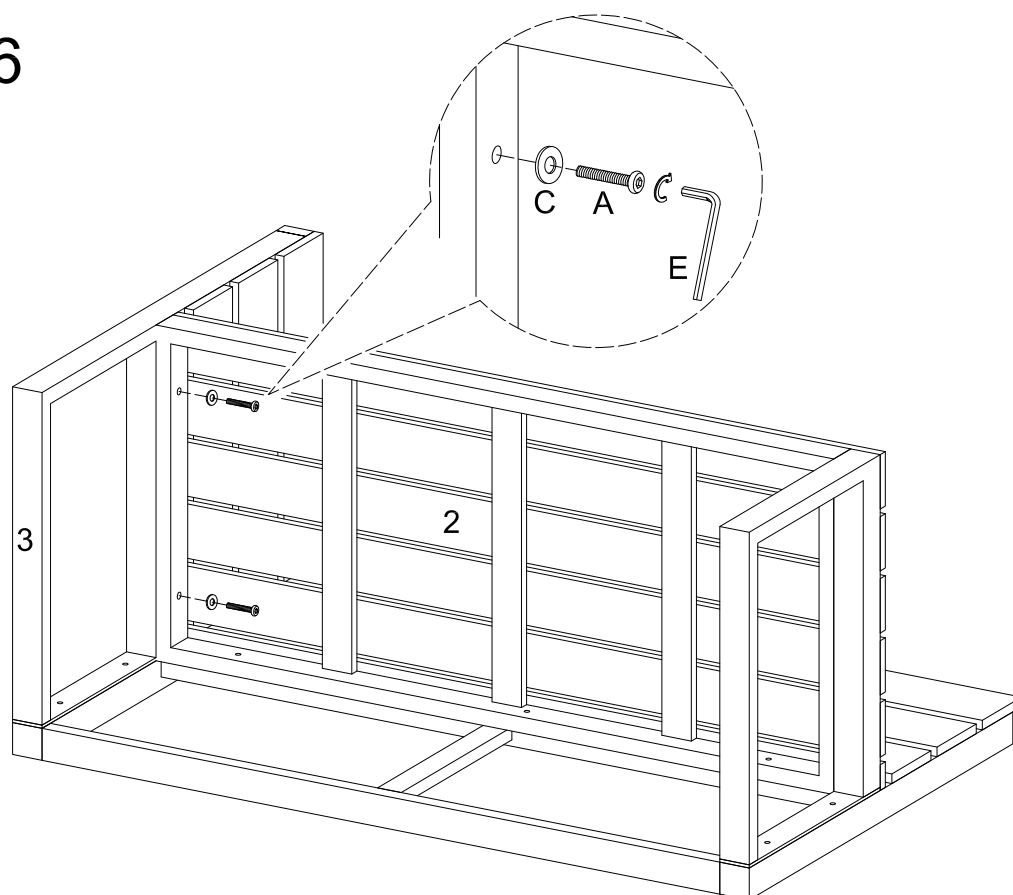
Attach right leg (3) to back frame (1) using bolts as guides.

## Step 5



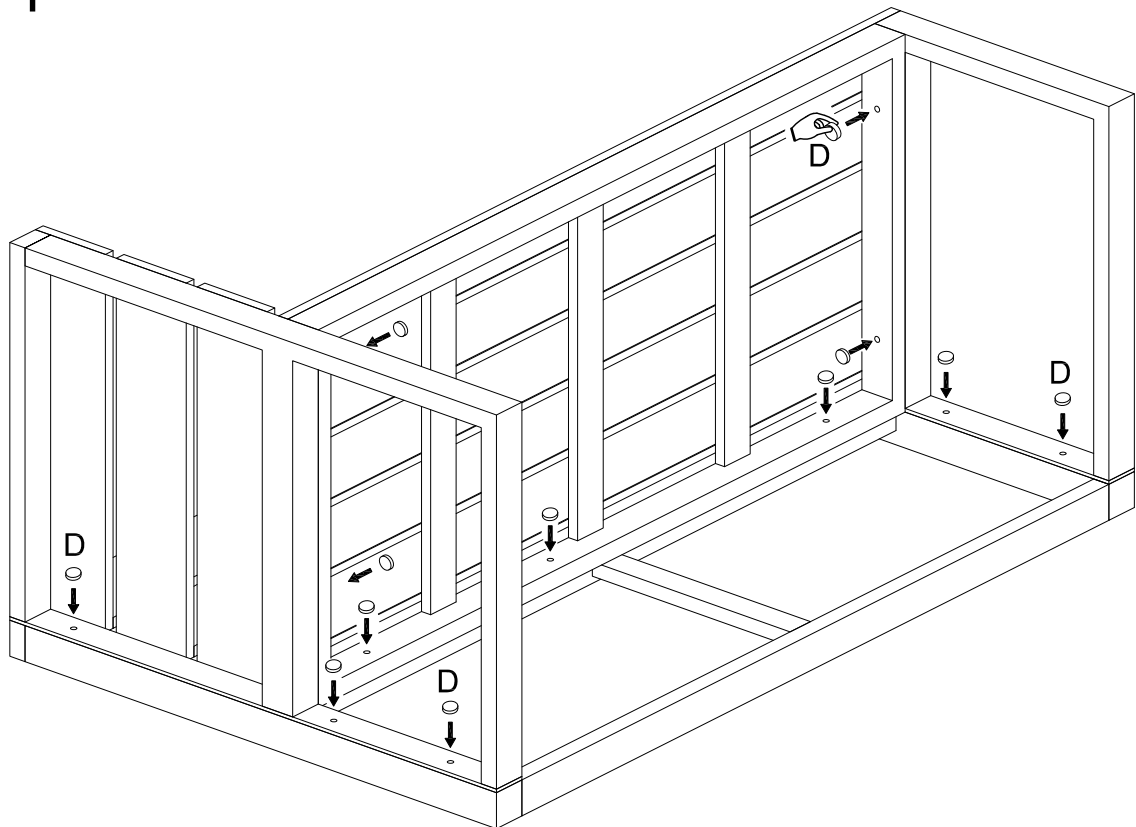
Attach right leg (3) to back frame (1) using short bolts (B) and washers (C) .Tighten short bolts (B) with wrench (E).Hands tighten all bolts only and not tighten completely.

## Step 6



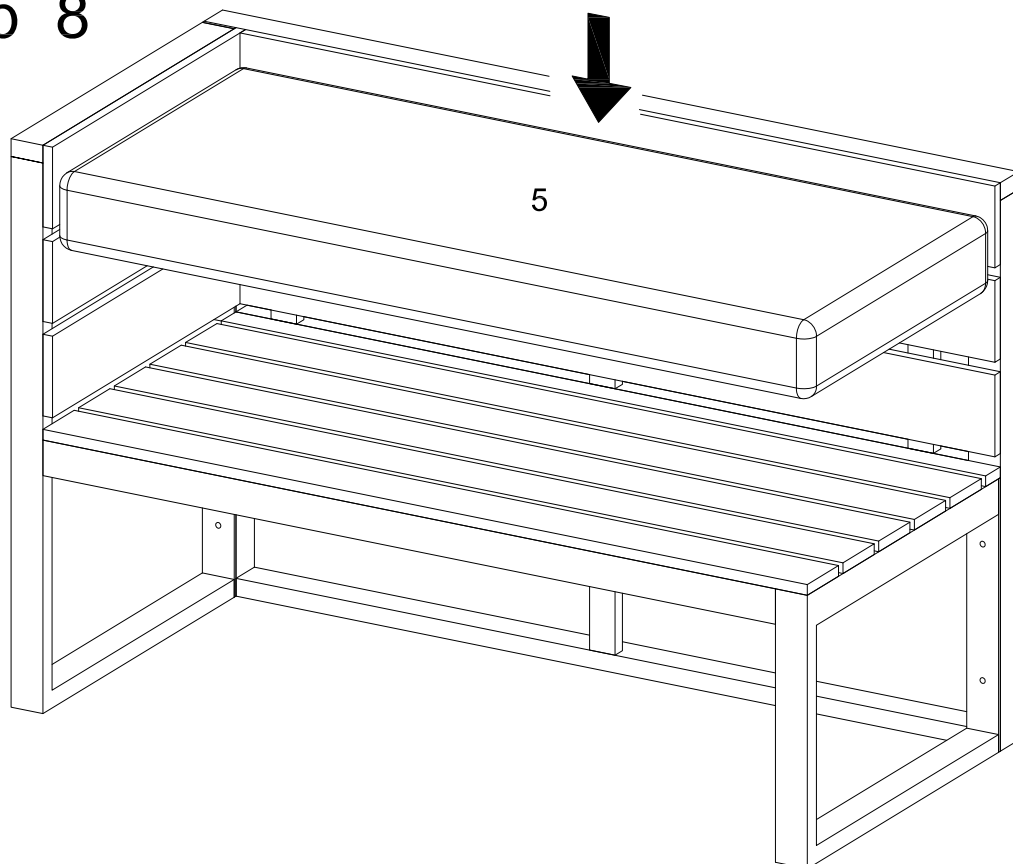
Attach seat frame (2) to right leg (3) using long bolts (A) and washers (C) .Tighten long bolts (A) with wrench (E).Hands tighten all bolts only and not tighten completely.

## Step 7



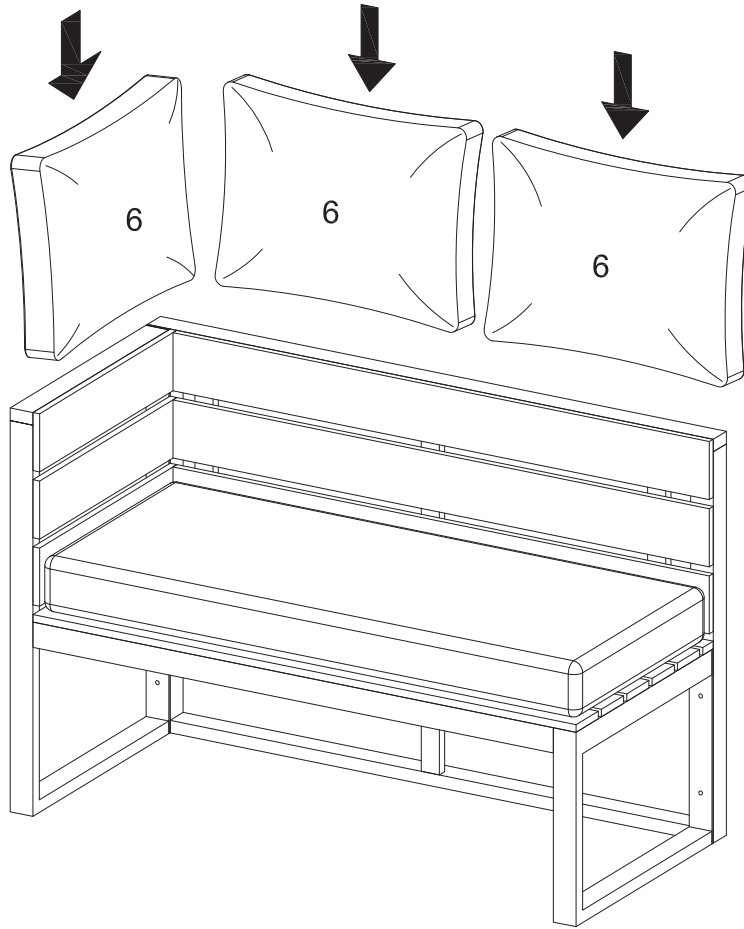
Tighten all bolts completely and cover them with bolt caps (D).

## Step 8



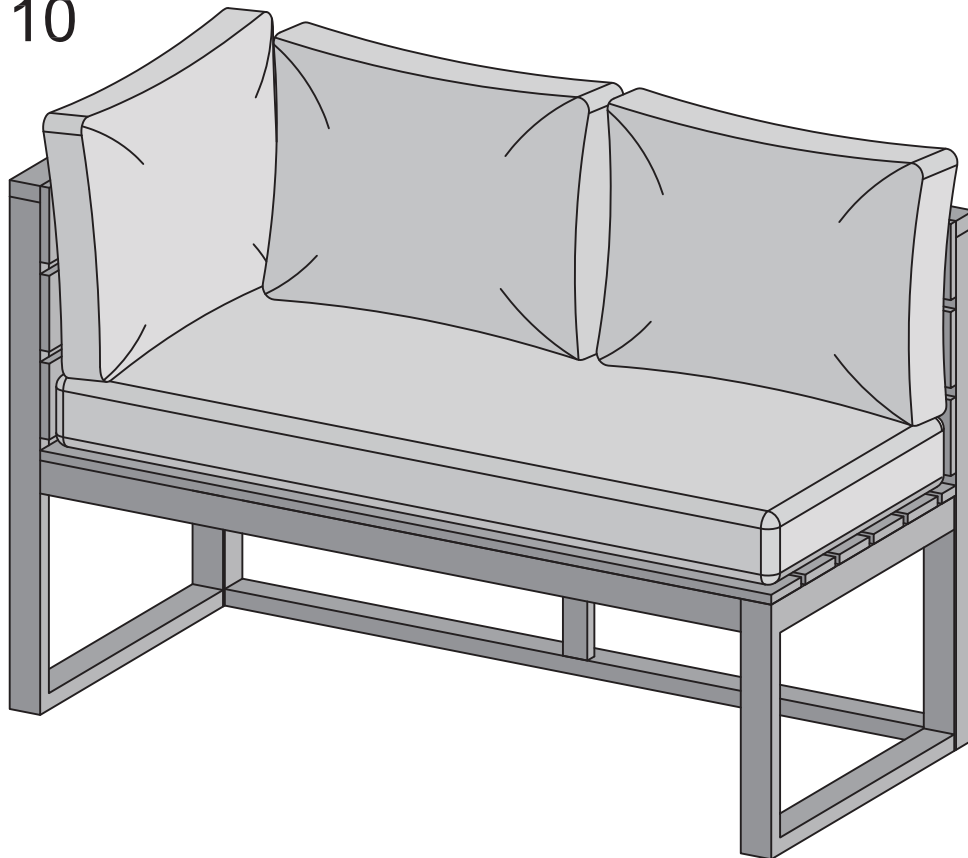
Put cushion (5) on the seat frame.

## Step 9



Put pillows (6) on the seat frame.

## Step 10



Final Assembly