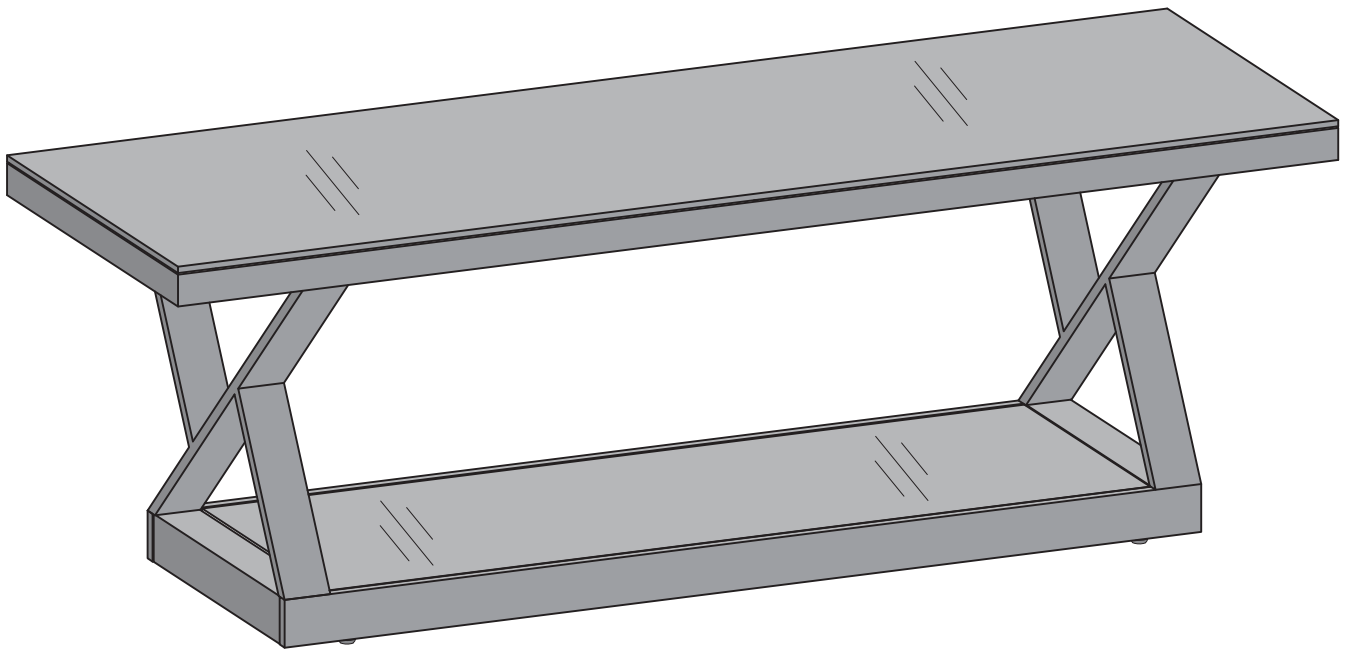




Walker  
Edison

furniture company

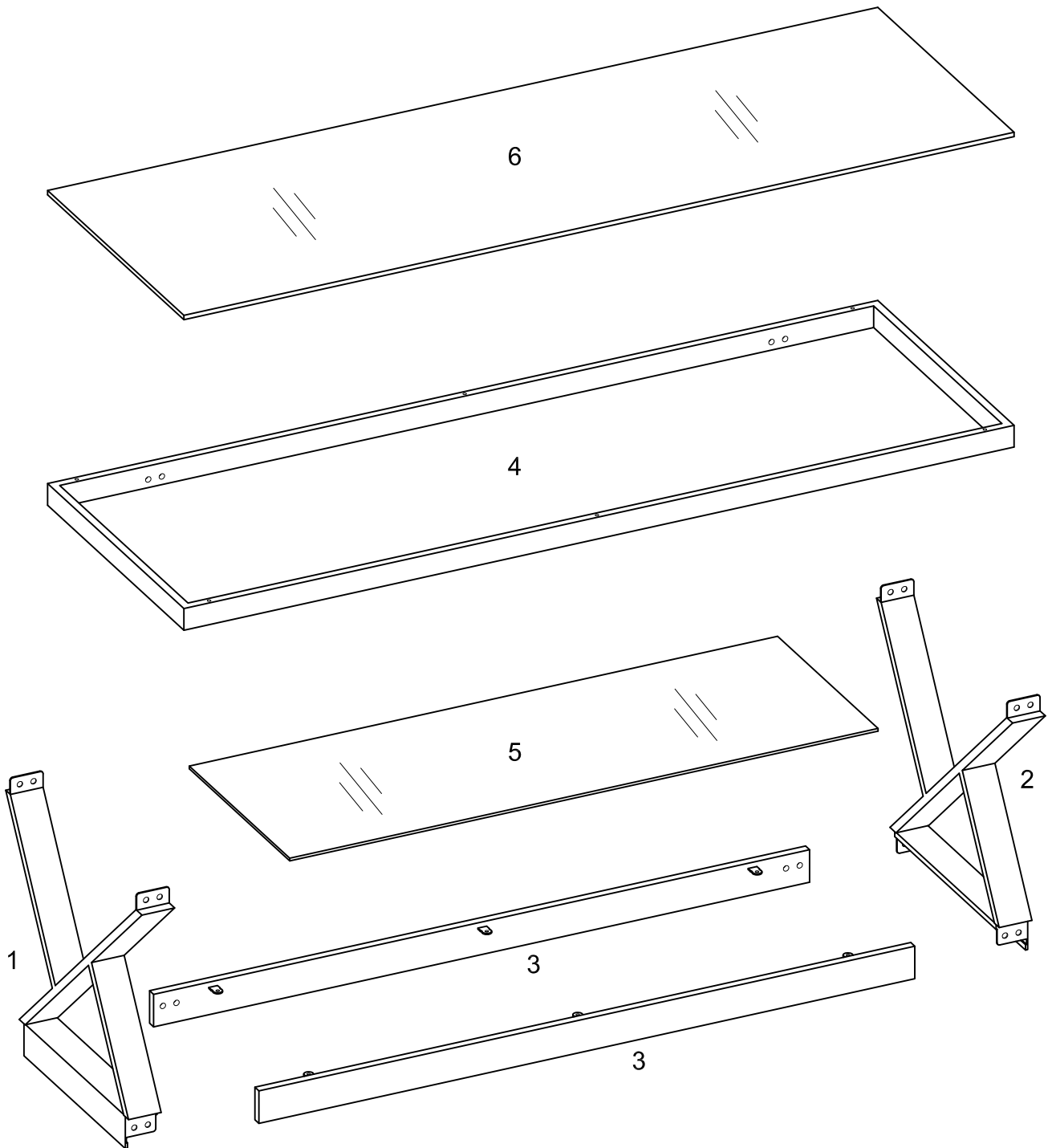
Item # :V60DXSBL  
Assembly Instructions






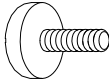
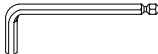
*For our most current instructions, to request missing, lost or broken parts, or for any other Customer Service issues, please visit our website at [www.walkeredison.com](http://www.walkeredison.com) or call us at 877-207-5906.*

Revised 04/2013

# Parts List

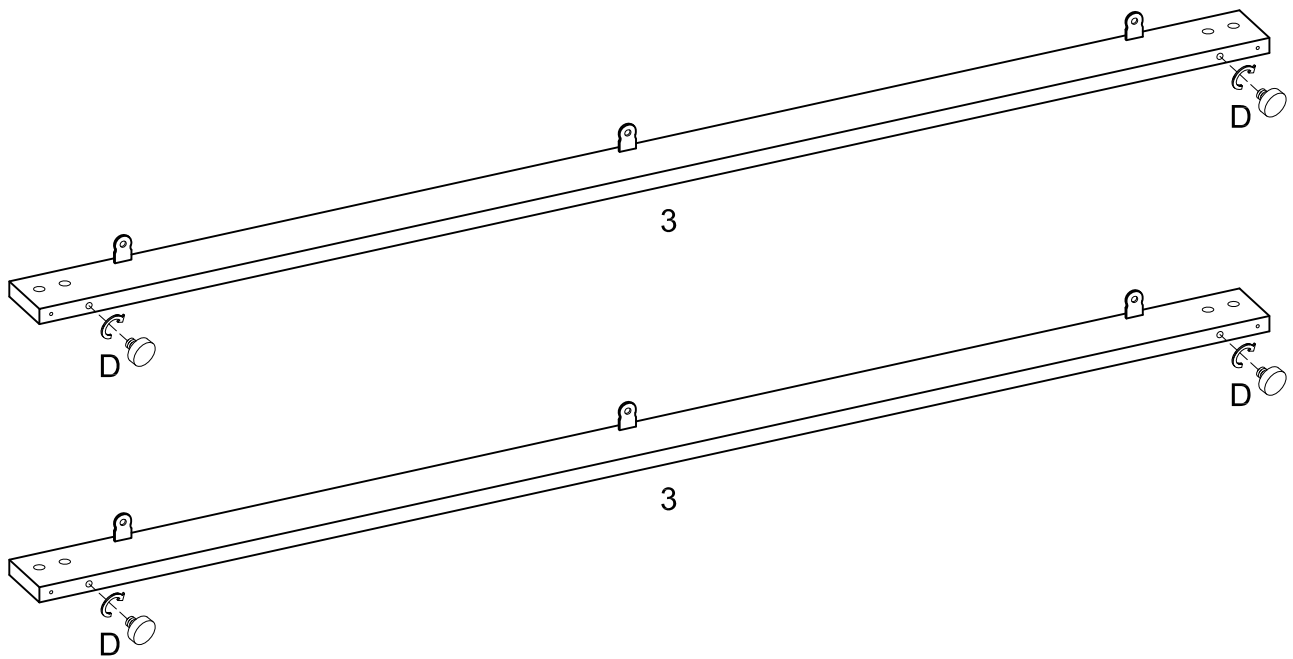


# Hardware List

|   |  |            |                    |        |
|---|--|------------|--------------------|--------|
| A |   | Ø1/4"*5/8" | Bolt               | 16 pcs |
| B |   | Ø16mm      | Washer             | 16 pcs |
| C |   |            | Rubber suction cup | 12 pc  |
| D |   |            | Desk feet          | 4 pcs  |
| E |  | M4(mm)     | Allen wrench       | 1 pc   |

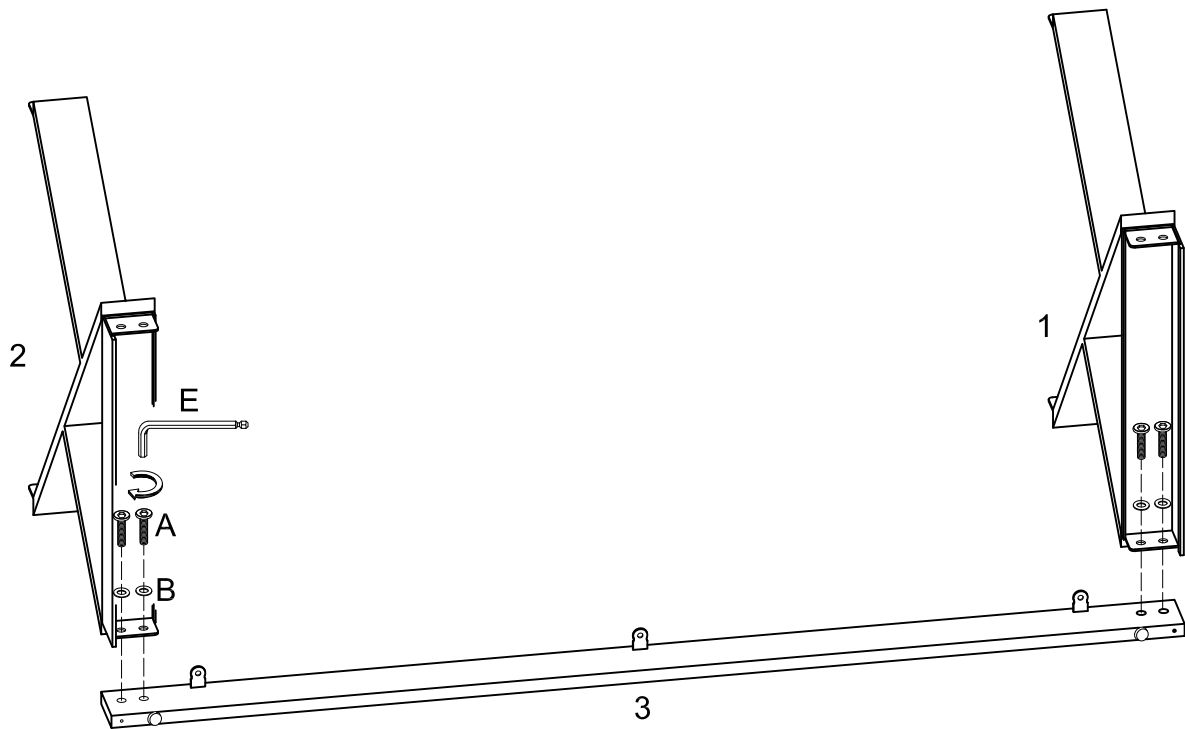
*The hardware quantities listed above are required for proper assembly.  
Some extra hardware may also have been included.*

# Step 1



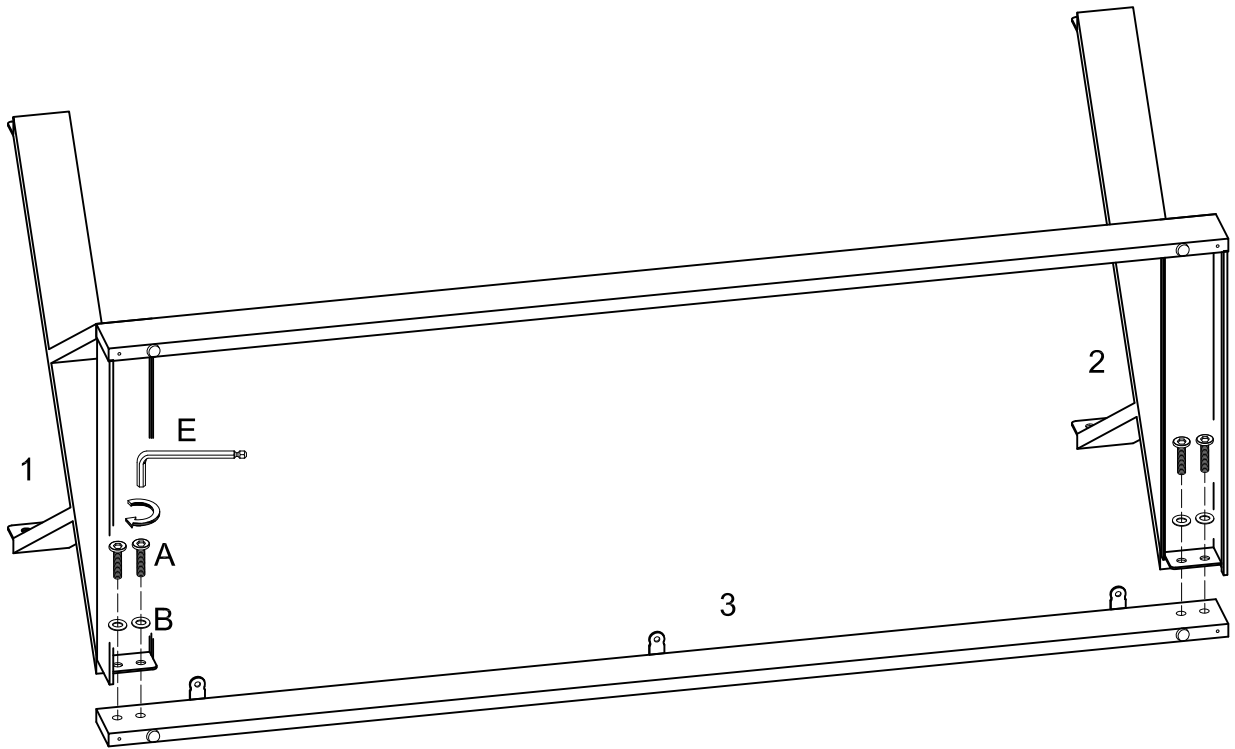
Screw feet (D) into crossbars (3) .

# Step 2



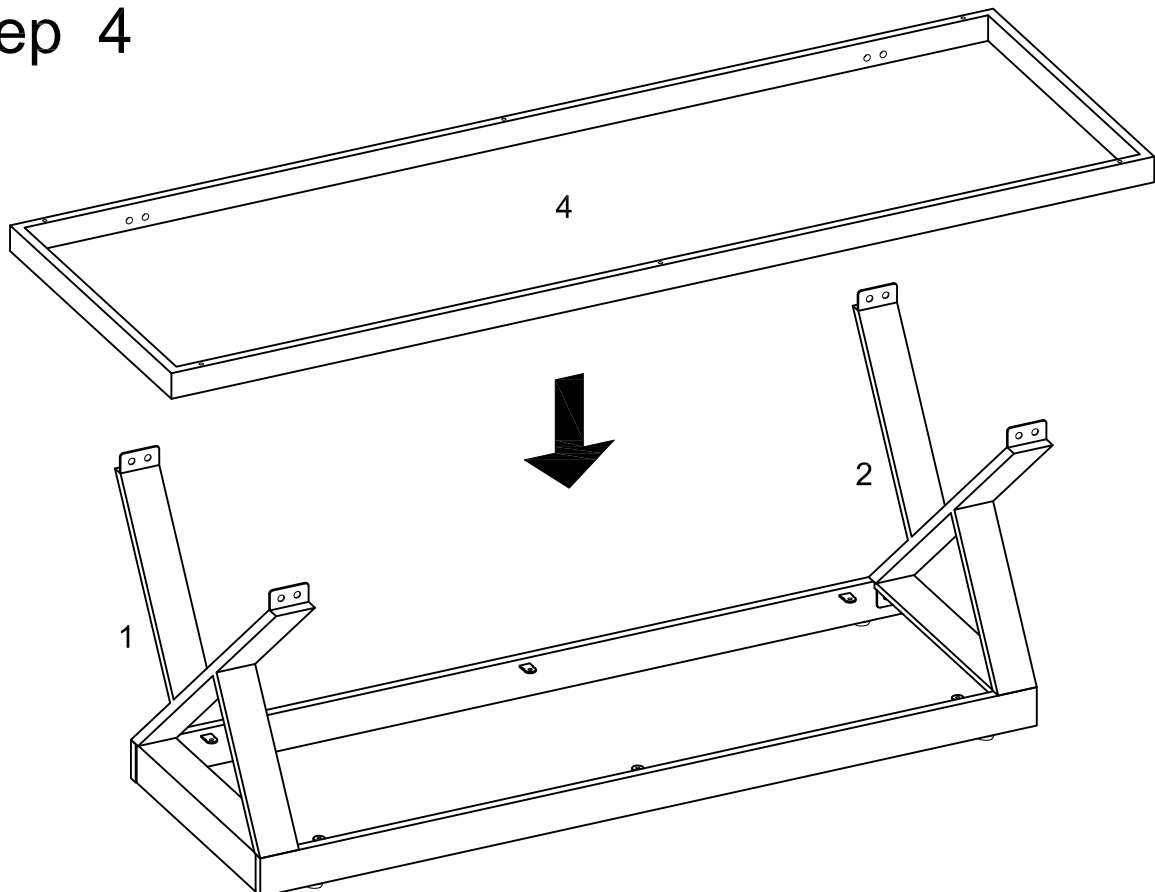
Attach crossbars (3) to legs (1,2) using bolts (B) and washers (A) . Tighten bolts (A) with wrench (E) .

## Step 3



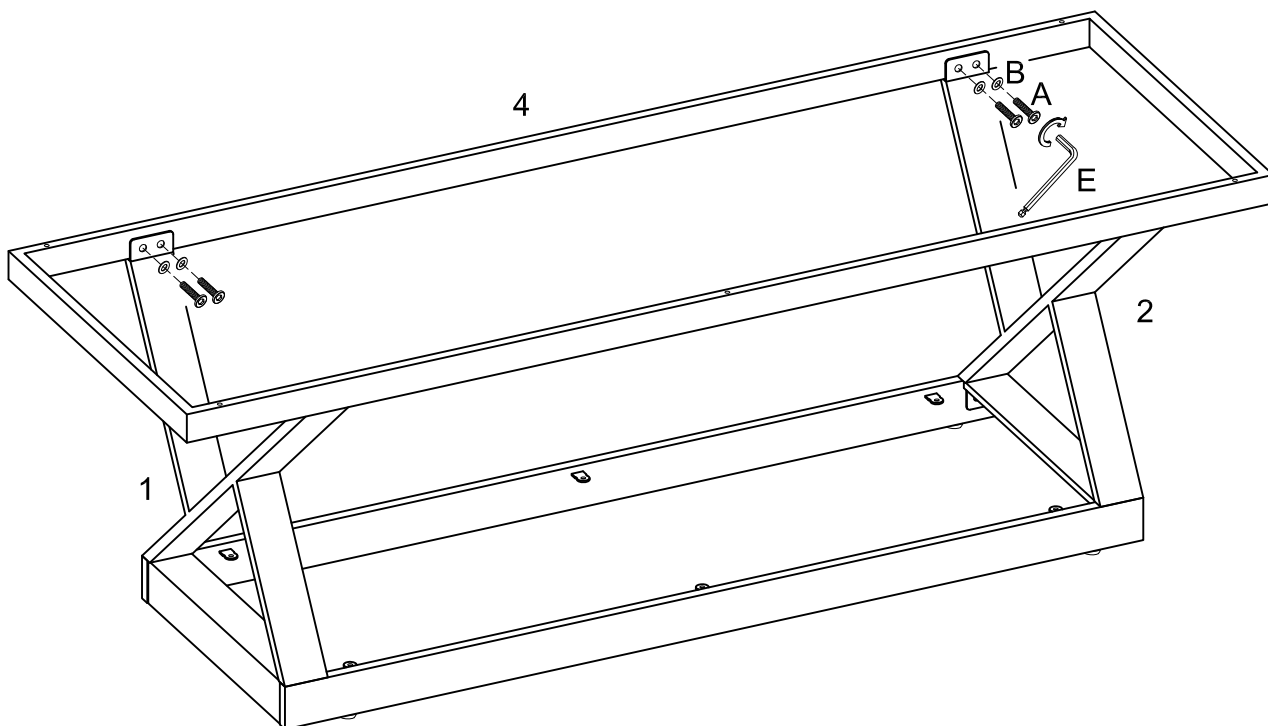
Attach crossbars (3) to legs (1,2) using bolts (B) and washers (A) . Tighten bolts (A) with wrench (E) .

## Step 4



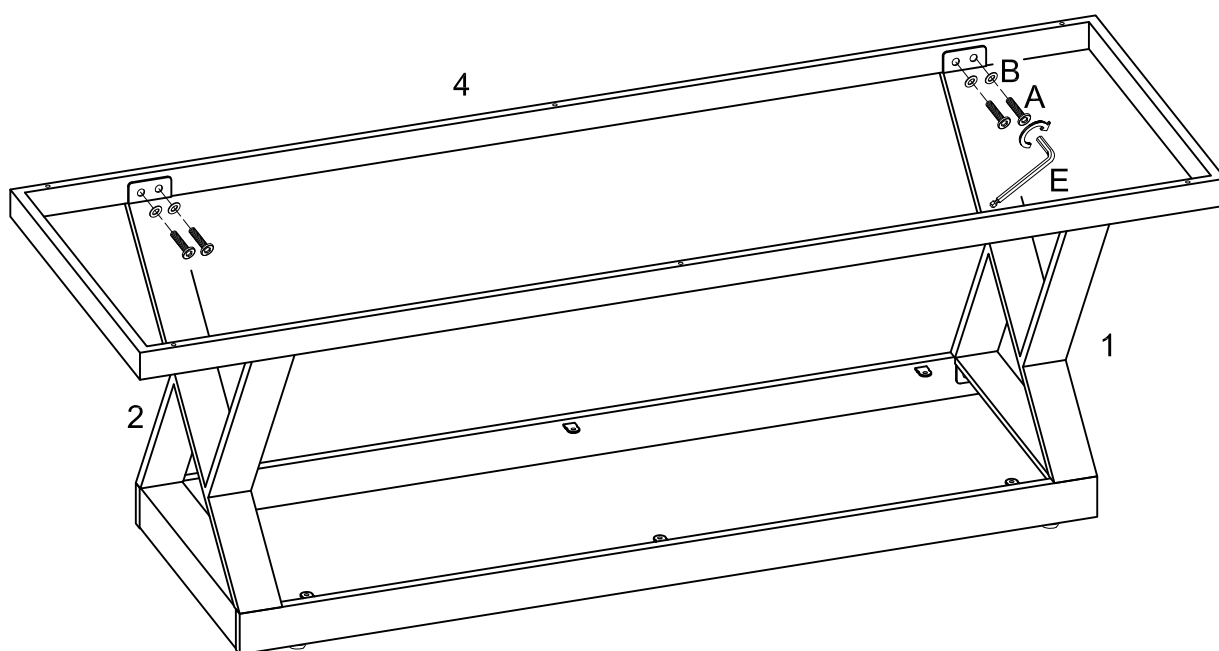
Support frame (4) to legs (1,2) .

## Step 5



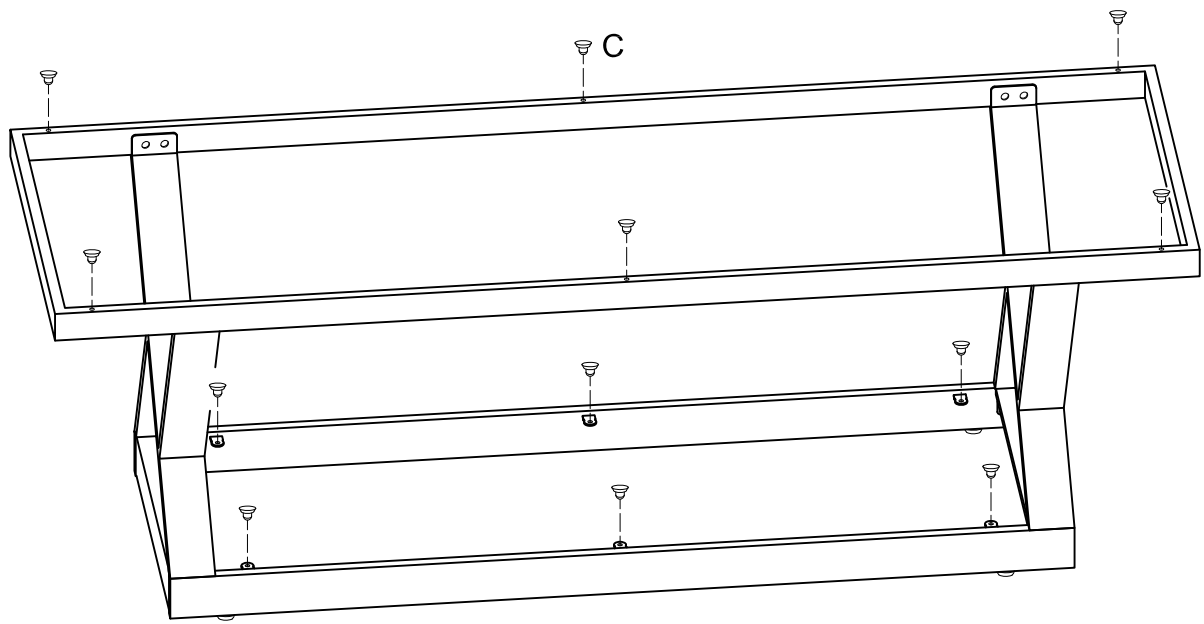
Support frame (4) to legs (1,2) using bolts (B) and washers (A) . Tighten bolts (A) with wrench (E) .

## Step 6



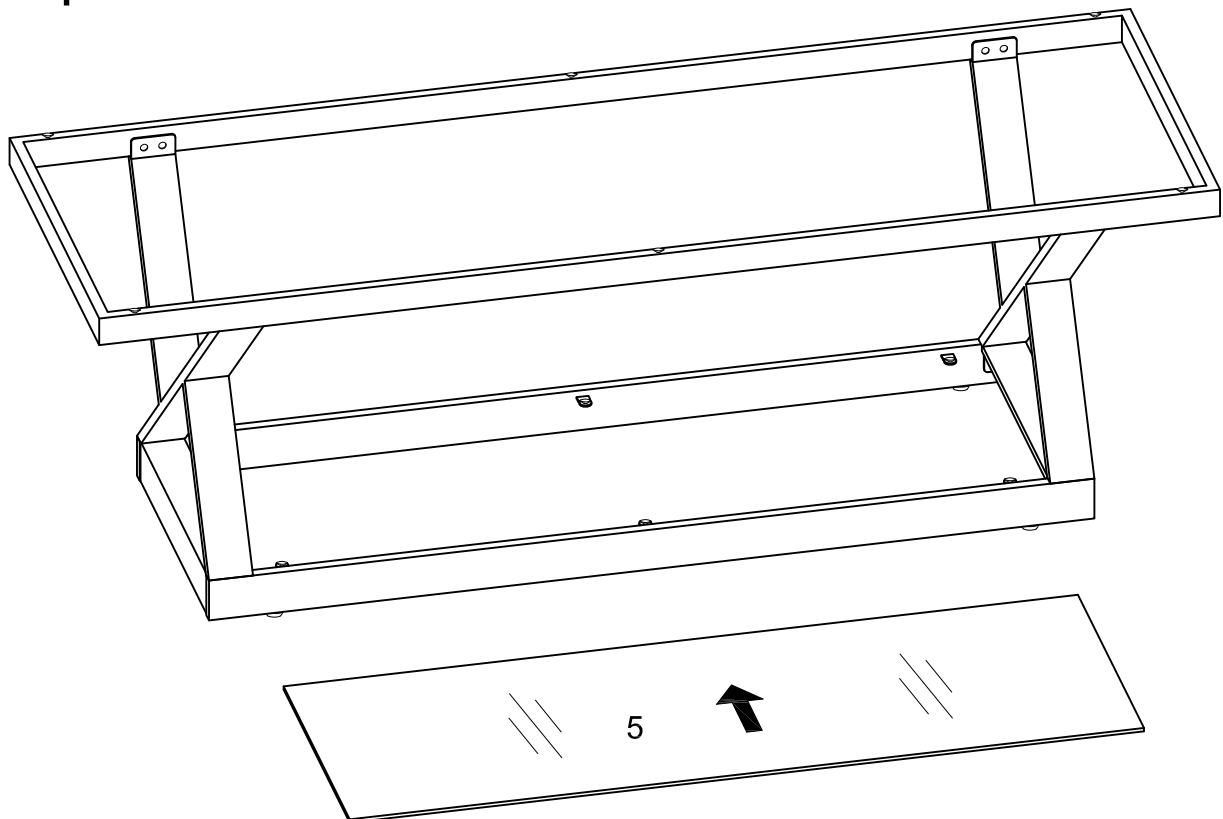
Support frame (4) to legs (1,2) using bolts (B) and washers (A) . Tighten bolts (A) with wrench (E) .

## Step 7



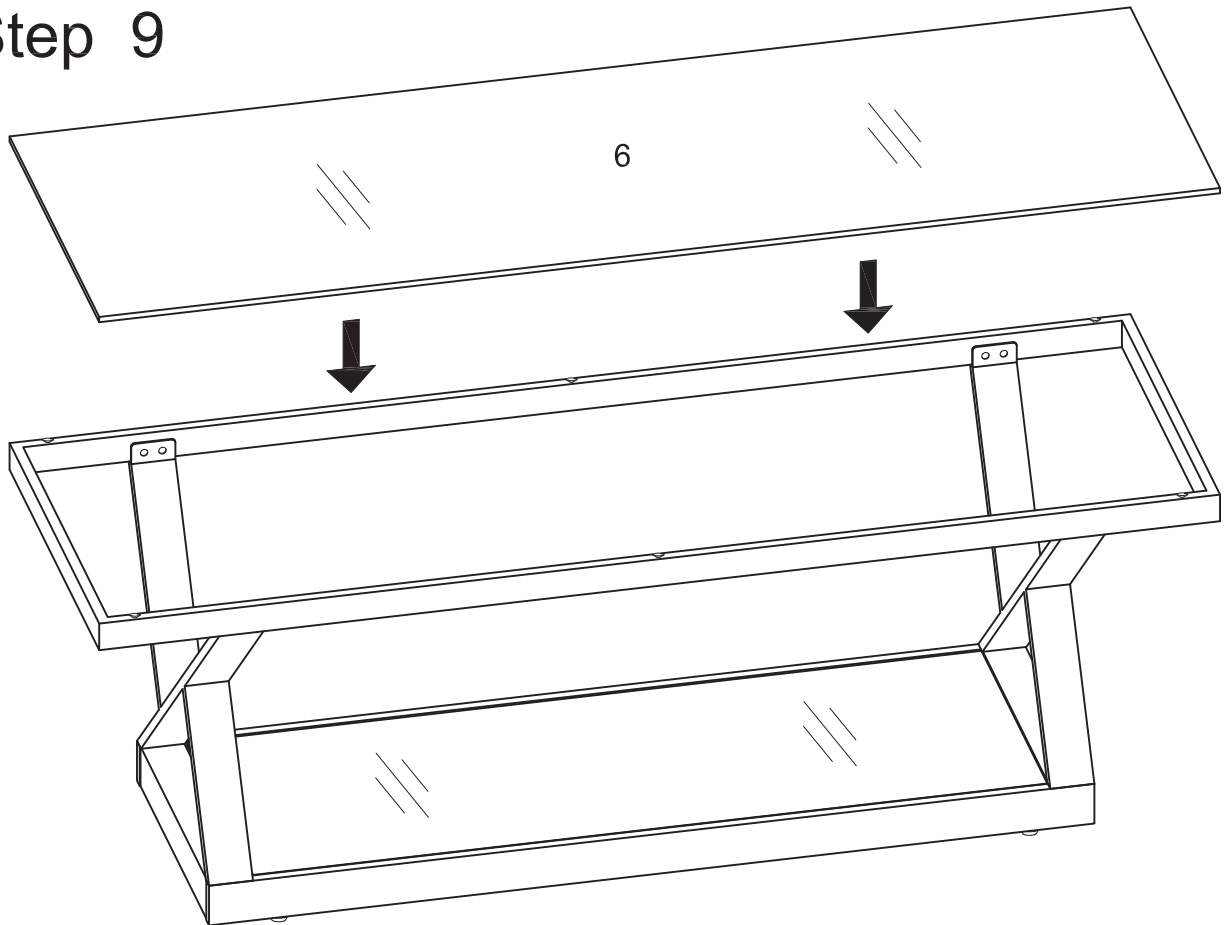
Insert rubber suction cups (C) into the desk frame as shown above.

## Step 8



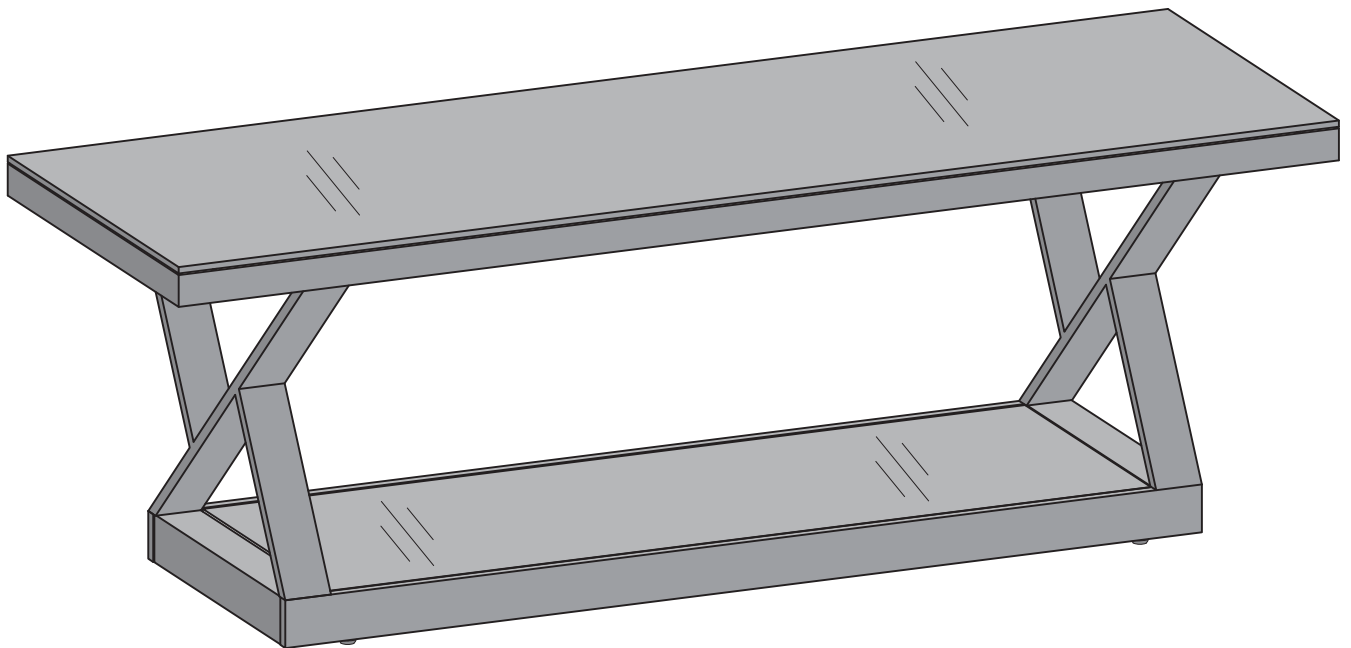
Place top glass (5) carefully on top of the frame.

## Step 9



Place top glass (6) carefully on top of the frame.

## Step 10



Final Assembly