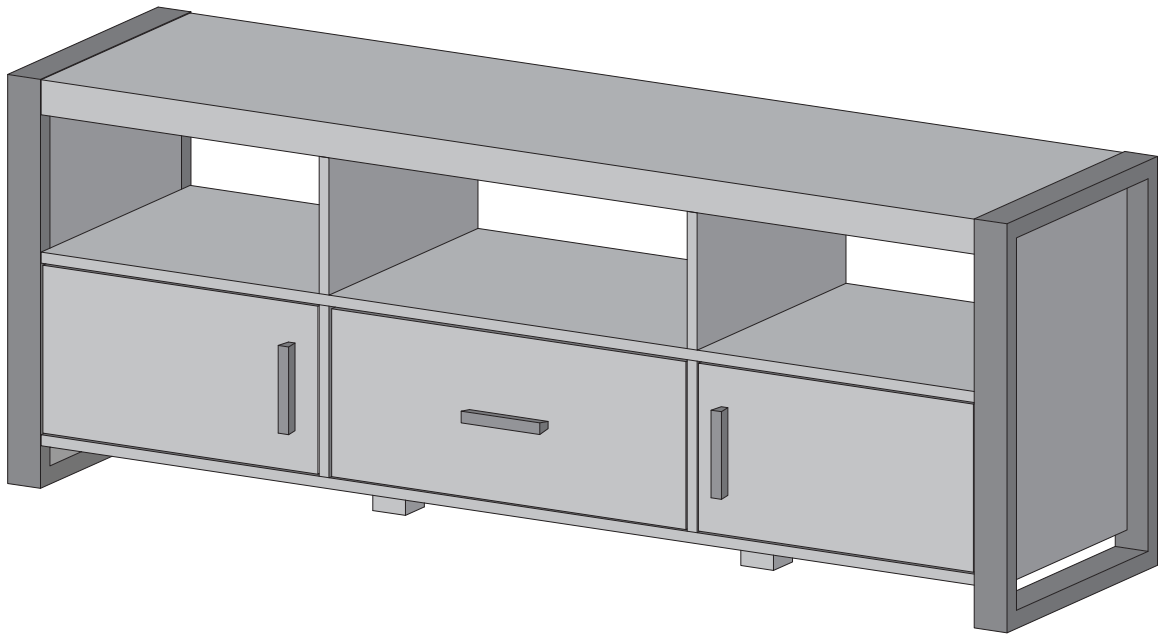


W Walker
E Edison
furniture company

Item # : W60CGS1CL
Assembly Instructions

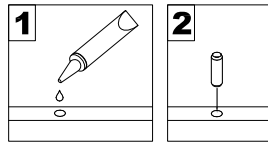


For our most current instructions, to request missing, lost or broken parts, or for any other Customer Service issues, please visit our website at www.walkerredison.com or call us at 877-207-5906.

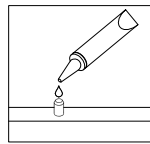
Revised 05/2014

General Assembly Guidelines

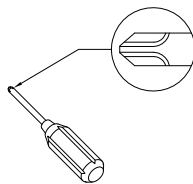
- I. Ensure that all parts and hardware are available before beginning assembly.
- II. Follow each step carefully to ensure the proper assembly of this product.
- III. Two people are recommended for ease in the assembly of this product.
- IV. The three main types of hardware used to assemble this product are : wood dowels , screws and bolts.
- V. The provided glue is to secure wood dowels in place . When first inserting dowels , locate the appropriate hole for the dowel , place a small amount of glue in the hole and insert the dowel . Wipe away excess glue immediately.



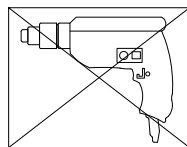
In future assembly steps when dowels are necessary to attach assembly parts together , place a small amount of glue on the end of the dowel before attaching parts together . Wipe away excess glue immediately.



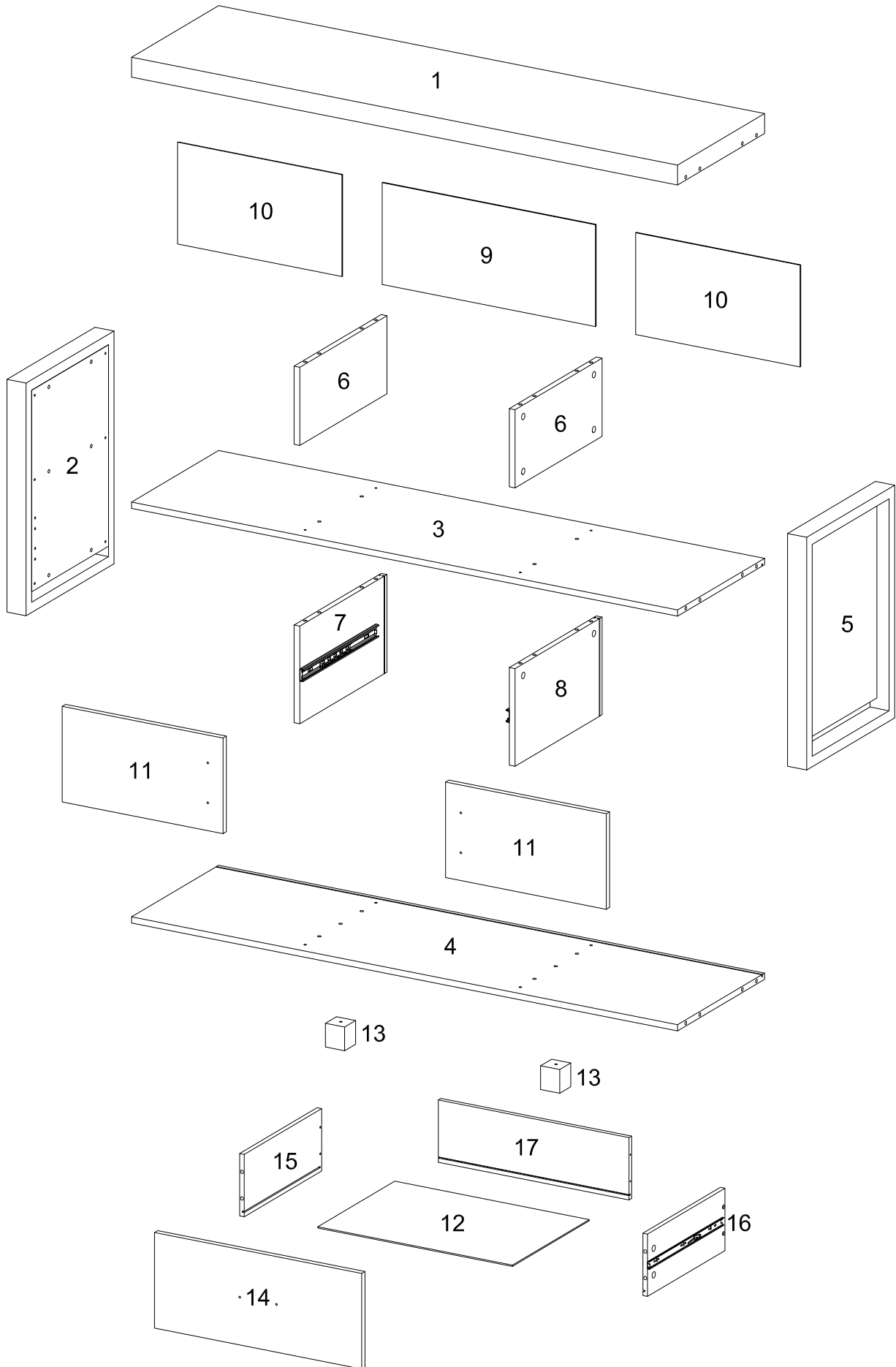
- VI. A Phillips head screwdriver is required for the assembly of this product .






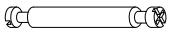





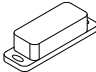

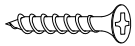
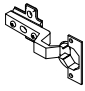
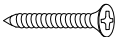

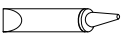

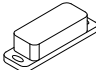
- VII. Power tools should not be used to assemble this product .

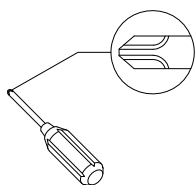


Parts List



Hardware List

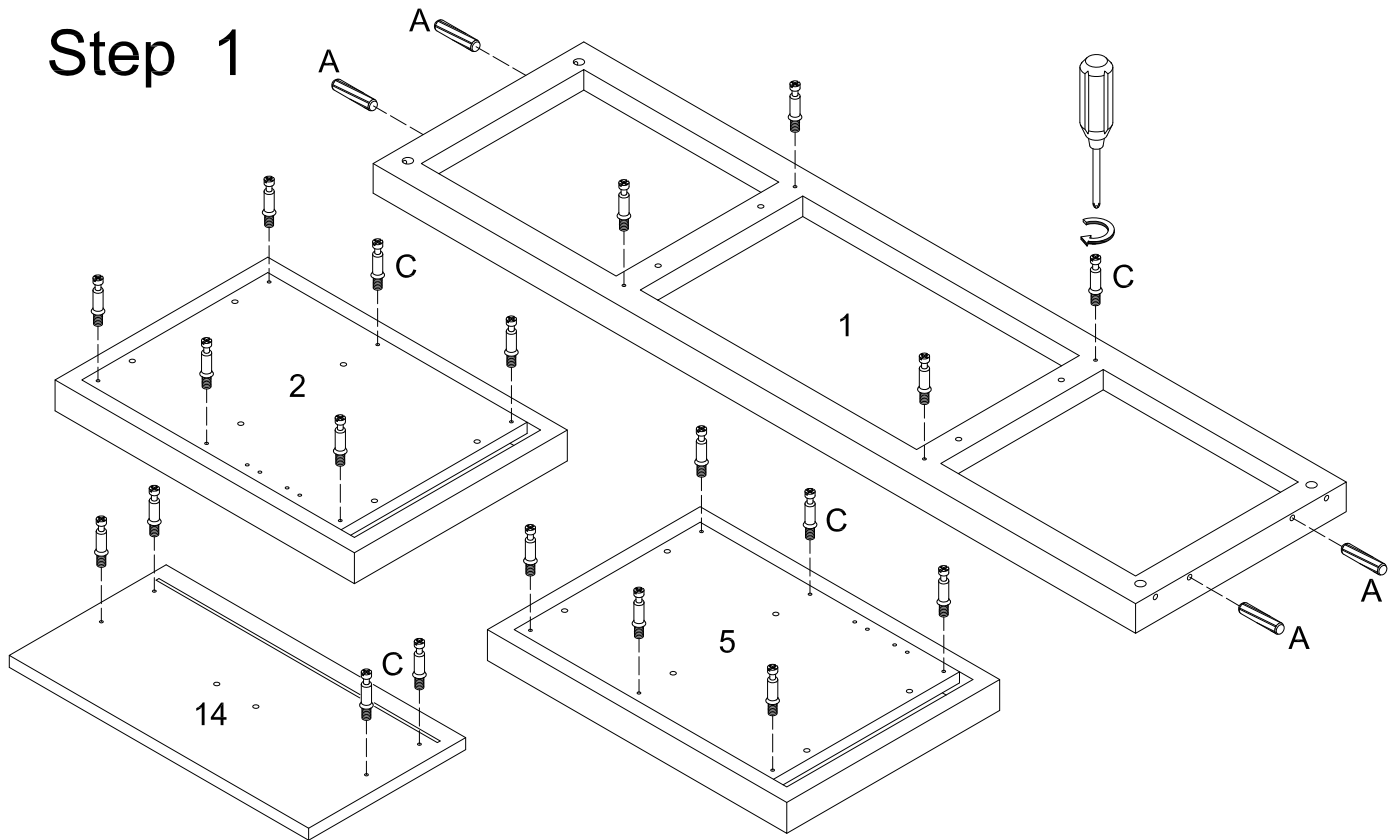
A		Ø8*30mm	Wooden dowel	20 pcs
B		Ø8*50mm	Wooden dowel	4 pcs
C		Ø6*35mm	Cam bolt	20 pcs
D		Ø6*66mm	Cam bolt	4 pcs
E		Ø15*11mm	Cam lock	24 pcs
F		Ø15*9mm	Cam lock	4 pcs
G		Ø6*50mm	Screw	6 pcs
H		120*25*20mm	Handle	3 pcs
J		Ø5/32"*22mm	Bolts	6 pcs
K		26*9.5*13mm	Left door stopper	1 pc
L		Ø3*12mm	Screw	4 pcs
M		Ø4*31mm	Screw	4 pcs
N			Hinge	4 pcs
P		Ø3.5*15mm	Screw	16 pcs
Q		M4mm	Wrench	1 pc
R			Glue tube	2 pcs
S			Sticker	28 pcs
T		26*9.5*13mm	Right door stopper	1 pc



Philips head screwdriver required for assembly
(not included)

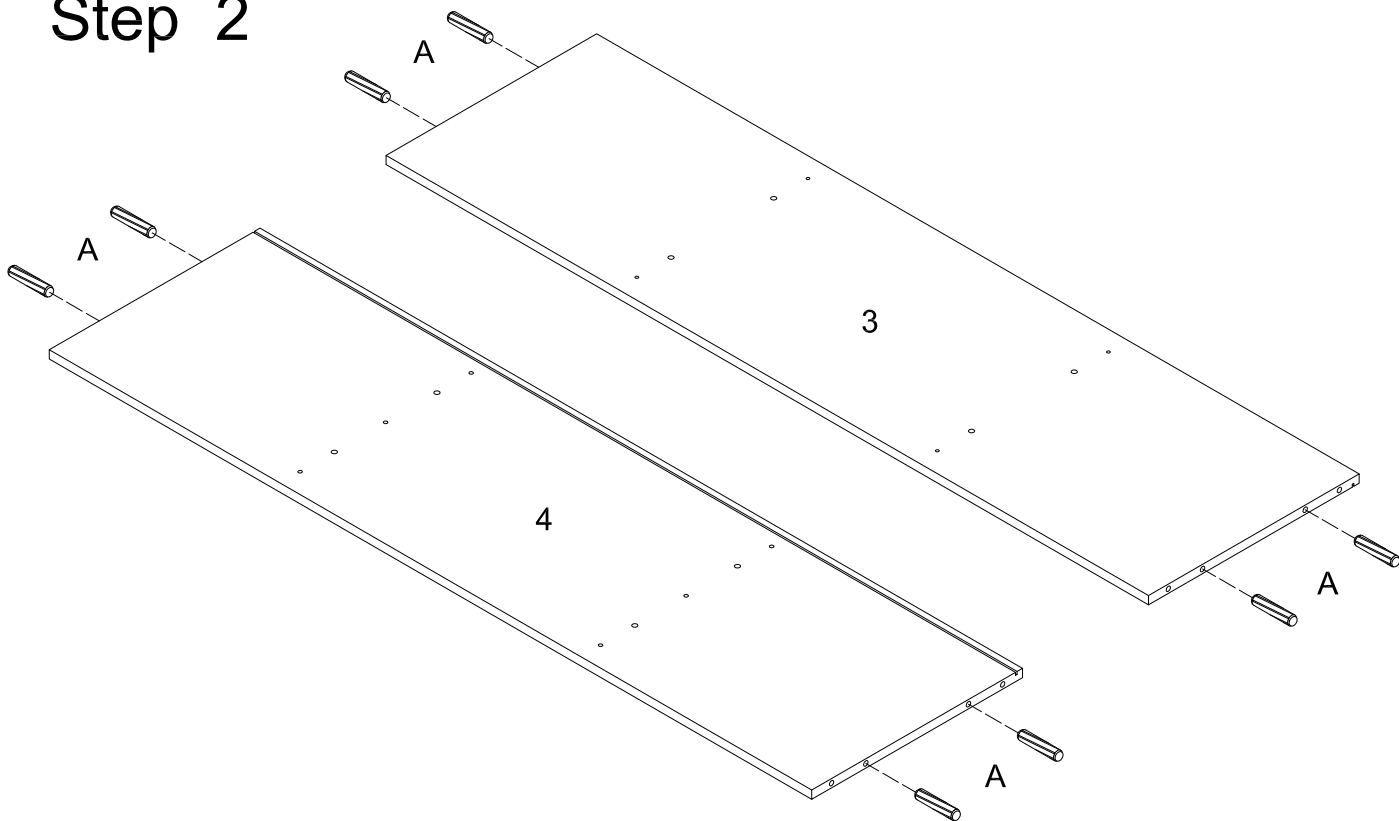
*The hardware quantities listed above are required for proper assembly.
Some extra hardware may also have been included.*

Step 1



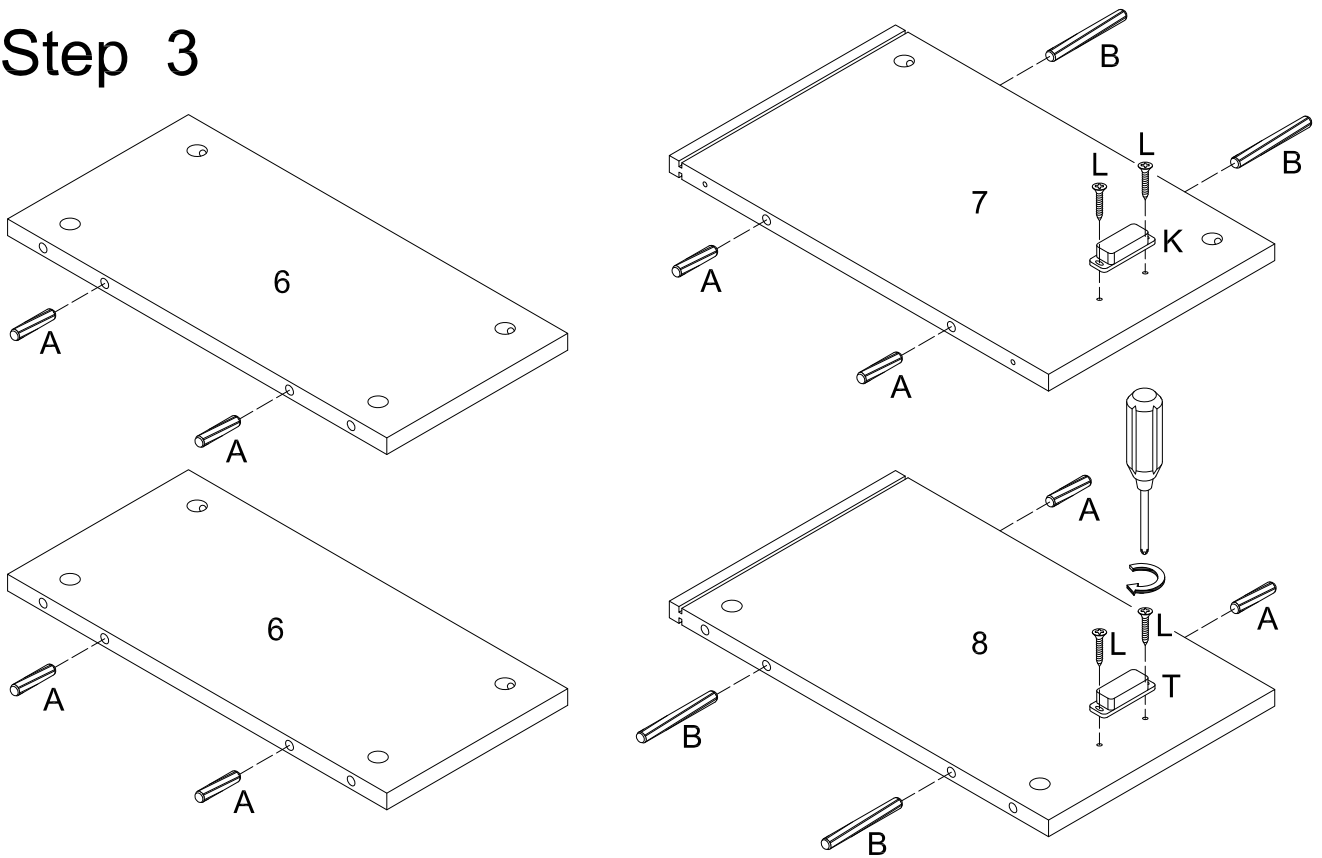
Insert the Cam Bolts (C) to the Top Panel (1), Metal Frame (2) (5) and the Front Drawer Panel (14)

Step 2



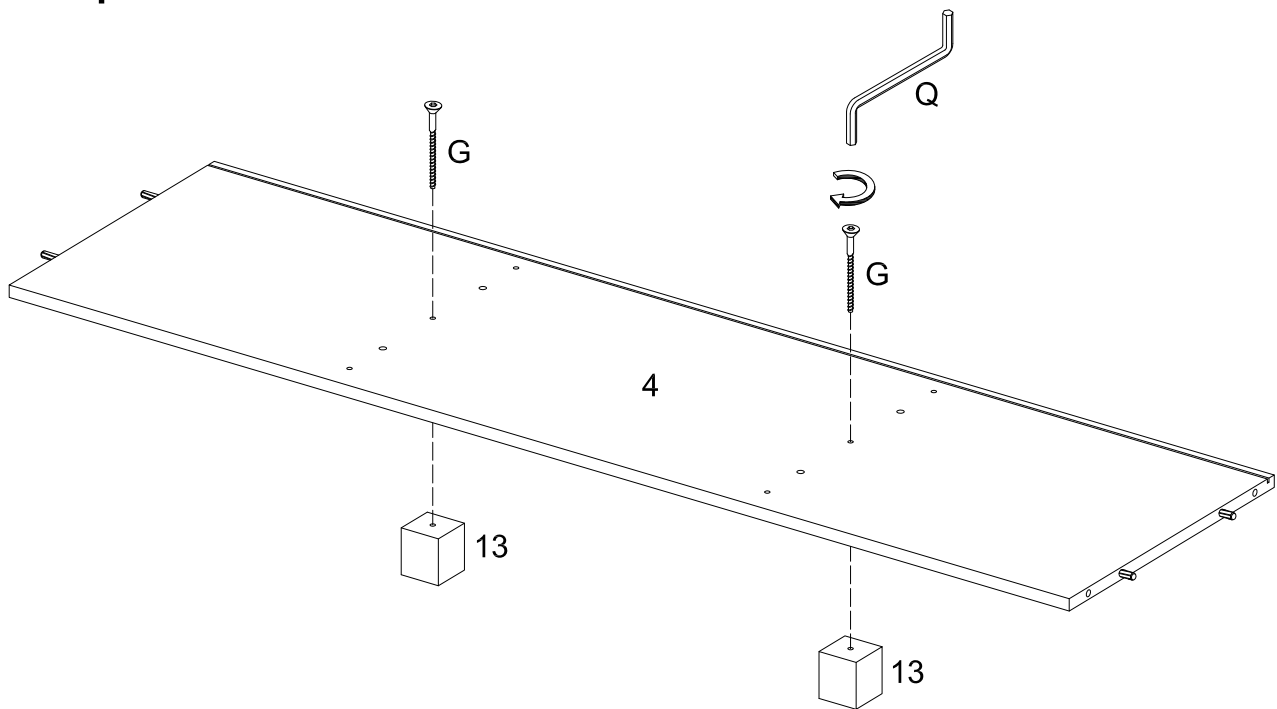
Insert the Wooden Dowel (A) to the Wooden Panel (3)(4)

Step 3



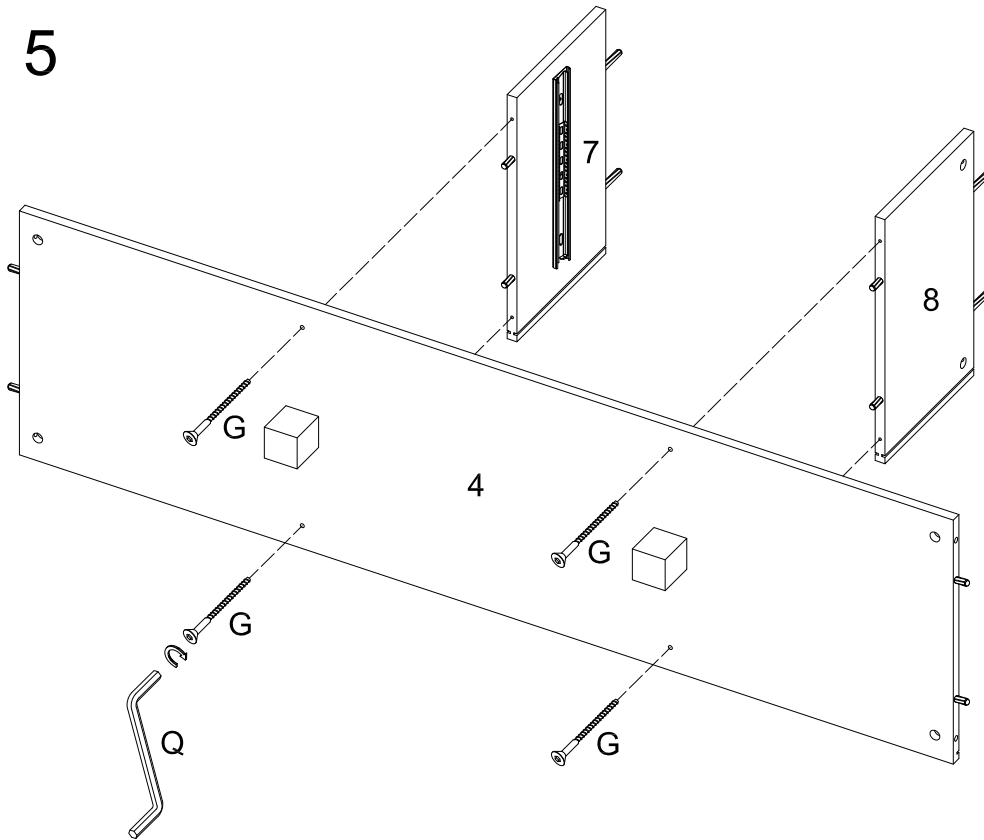
Insert the Wooden Dowel (A)(B) to the Side Panel (7)(8), insert the Wooden Dowel (A) to the Side Panel (6) attached the Left Door Stopper (K) to the Side Panel (7) and Right Door Stopper on the Side Panel (8) with Screw (L)

Step 4



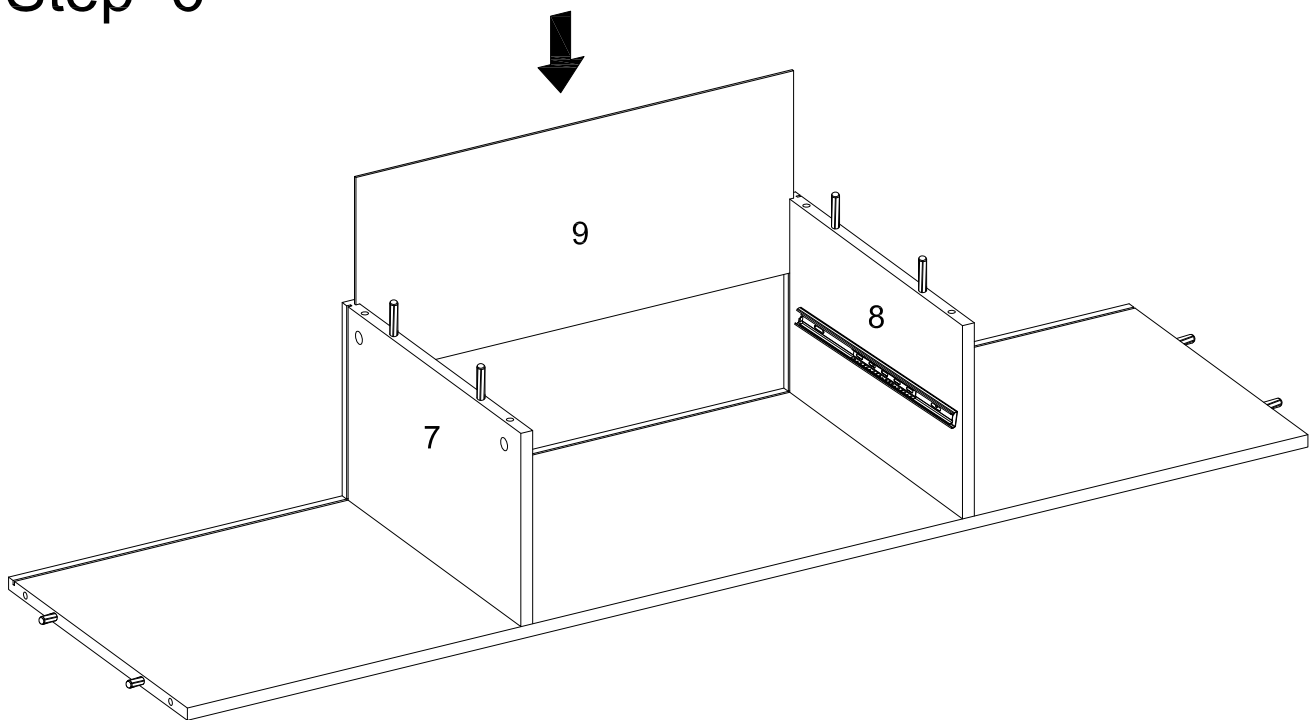
Assemble the Wooden Legs (13) to the Wooden Panel (4) by Screw (G) and Wrench (Q)

Step 5



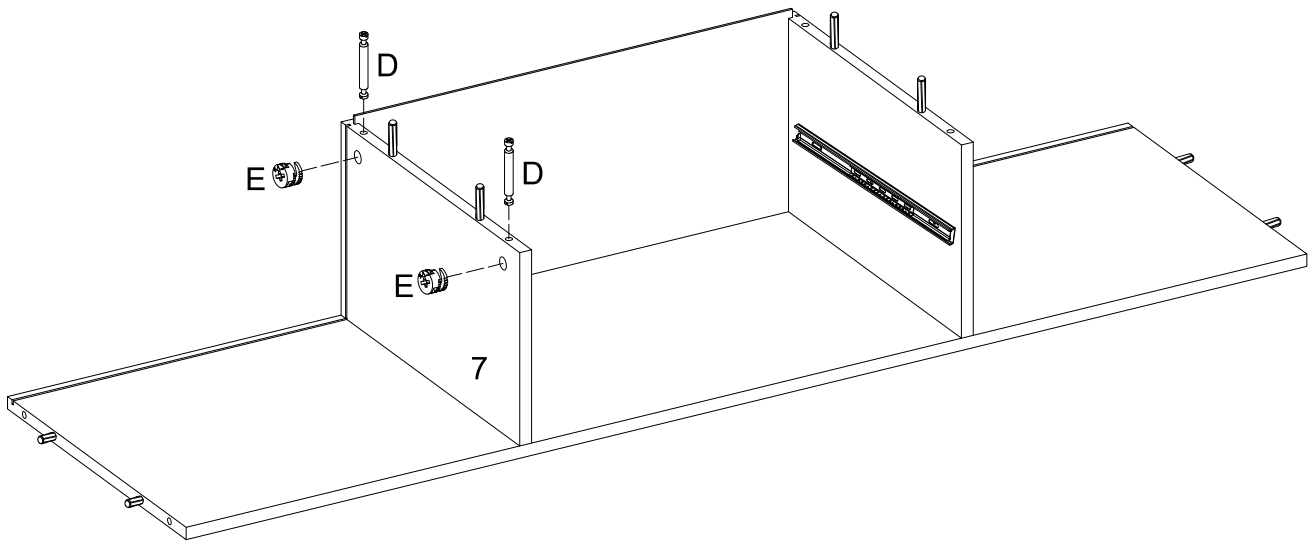
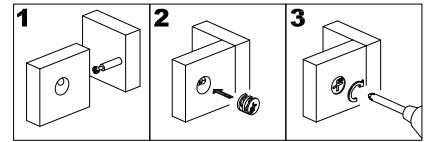
Attached the Side Panel (7)(8) to the Wooden Panel (4) with Screw (G) and Wrench (Q)

Step 6



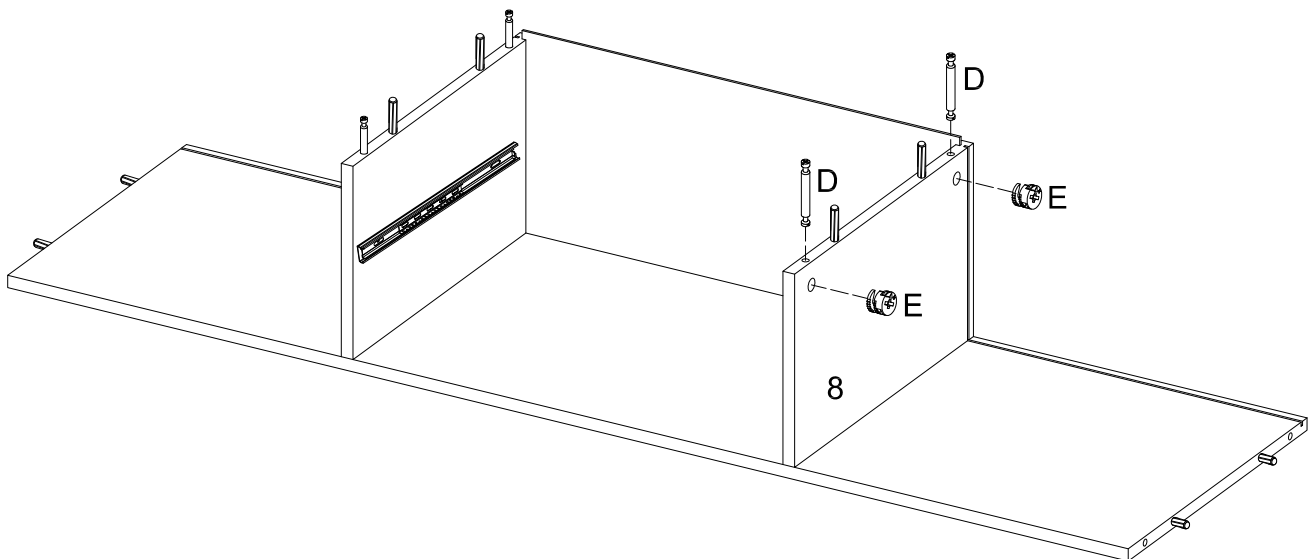
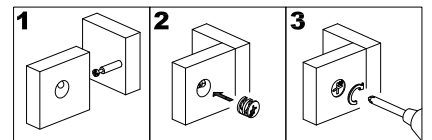
Slot in the Back Board (9) to the Slots of Side Panel (7)(8)

Step 7



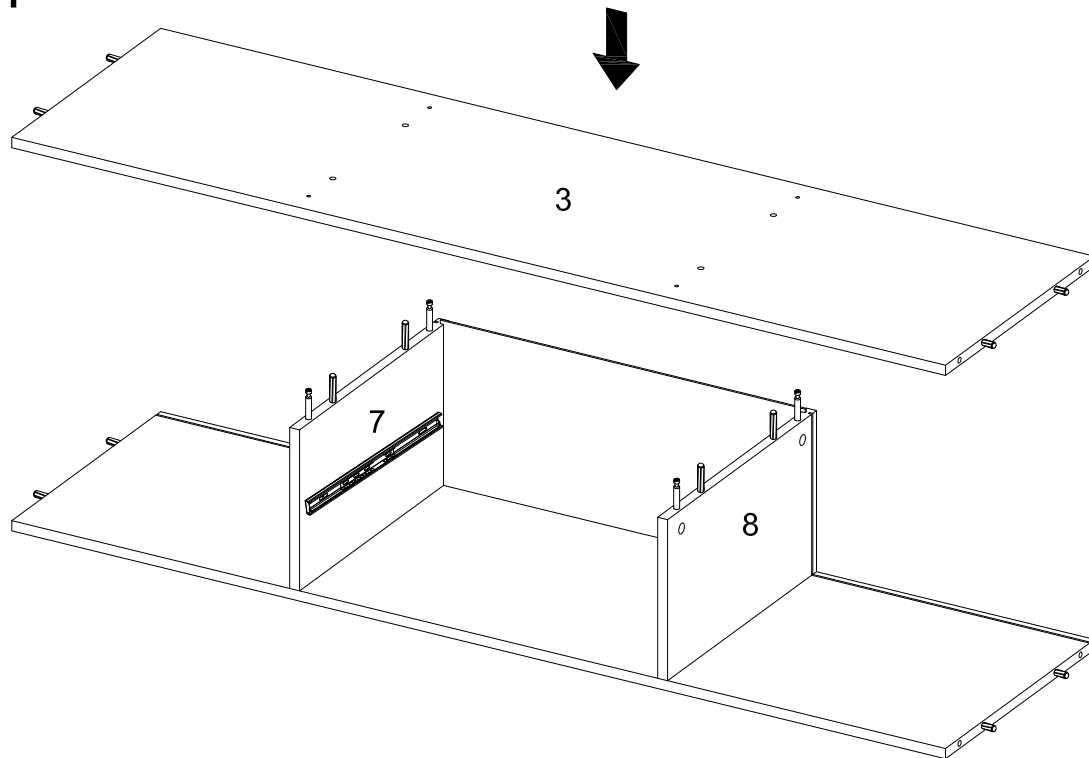
Insert the Cam Bolts (D) and the Cam Locks (E) to the Side Panel (7)

Step 8



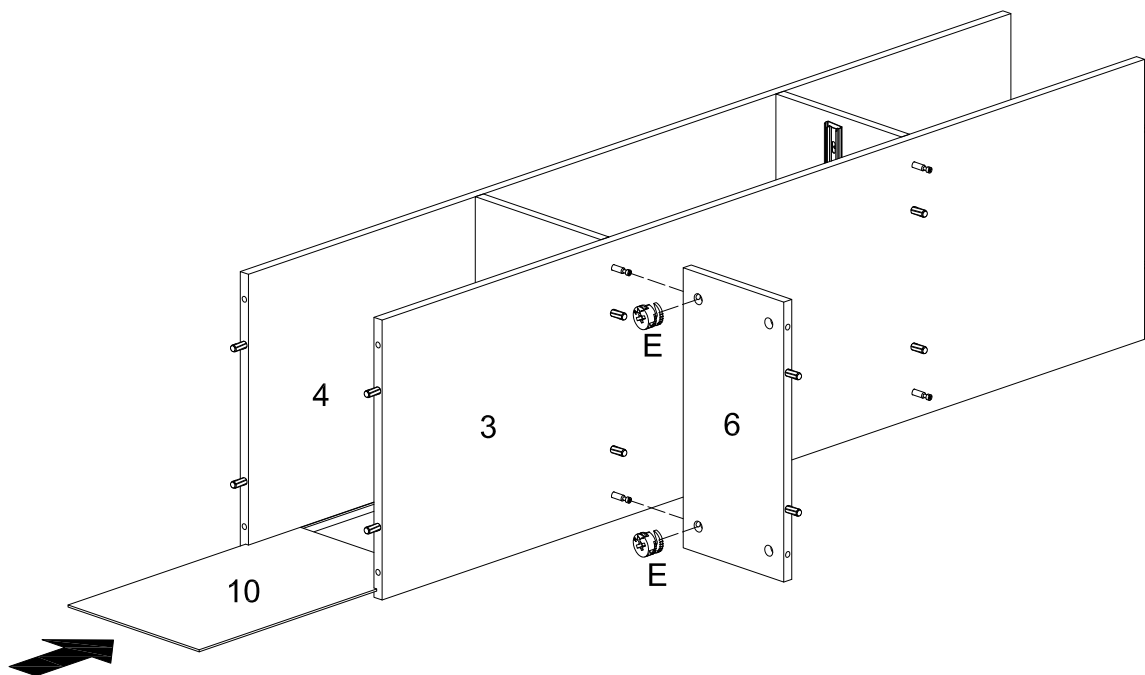
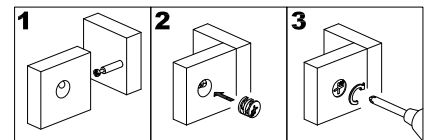
Insert the Cam Bolts (D), Cam Locks (E) to the Side Panel (8)

Step 9



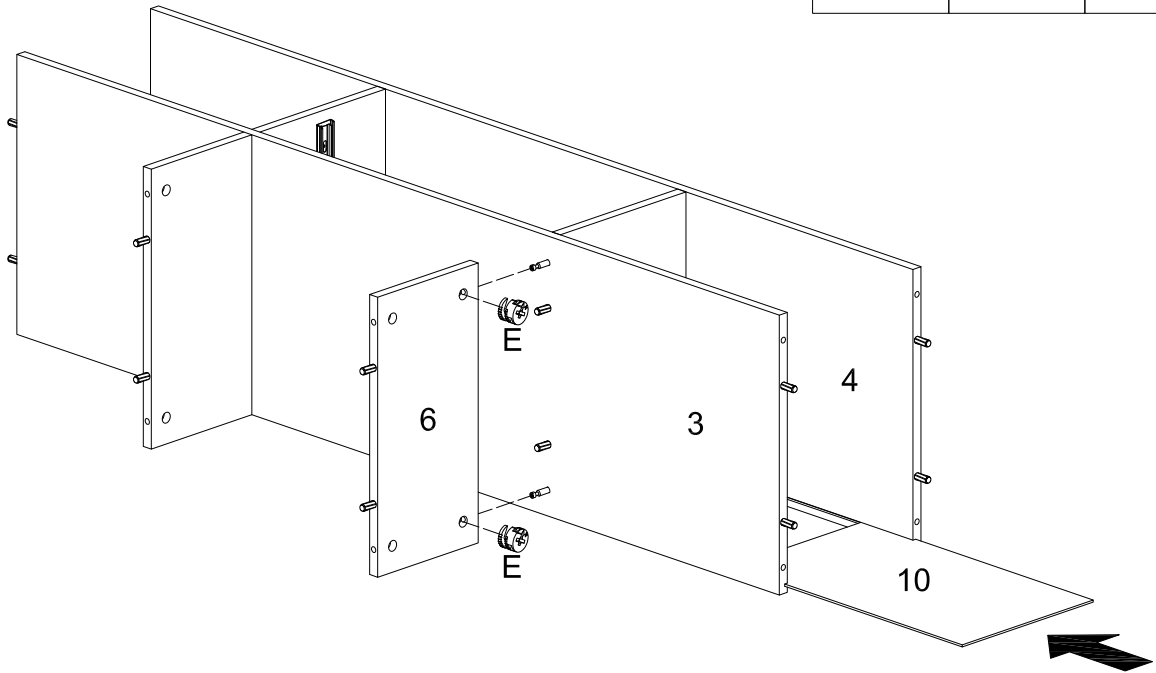
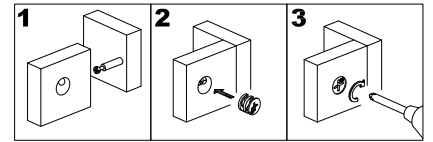
Place the Wooden Panel (3) on top of the Side Panel (7)(8)

Step 10



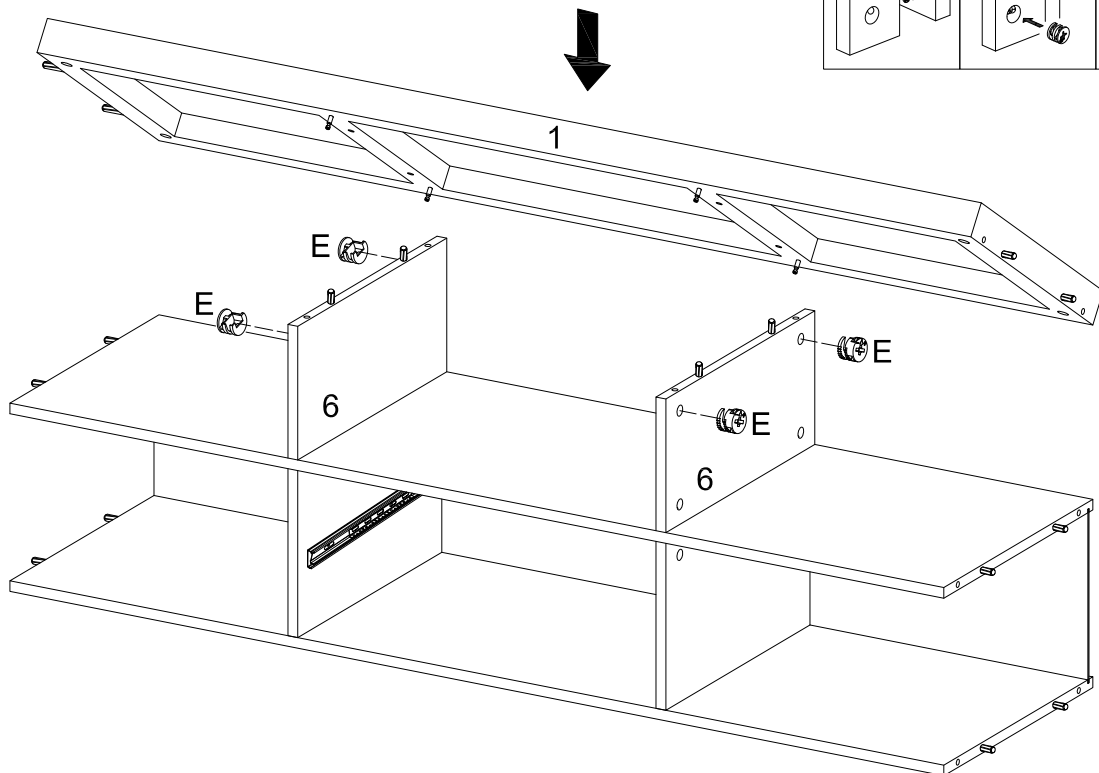
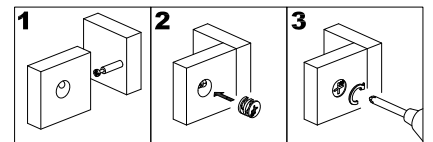
Slot in the the Back Panel (10) to the Wooden Panel (3)(4), attached the Side Panel (6) and secure by the Cam Locks (E)

Step 11



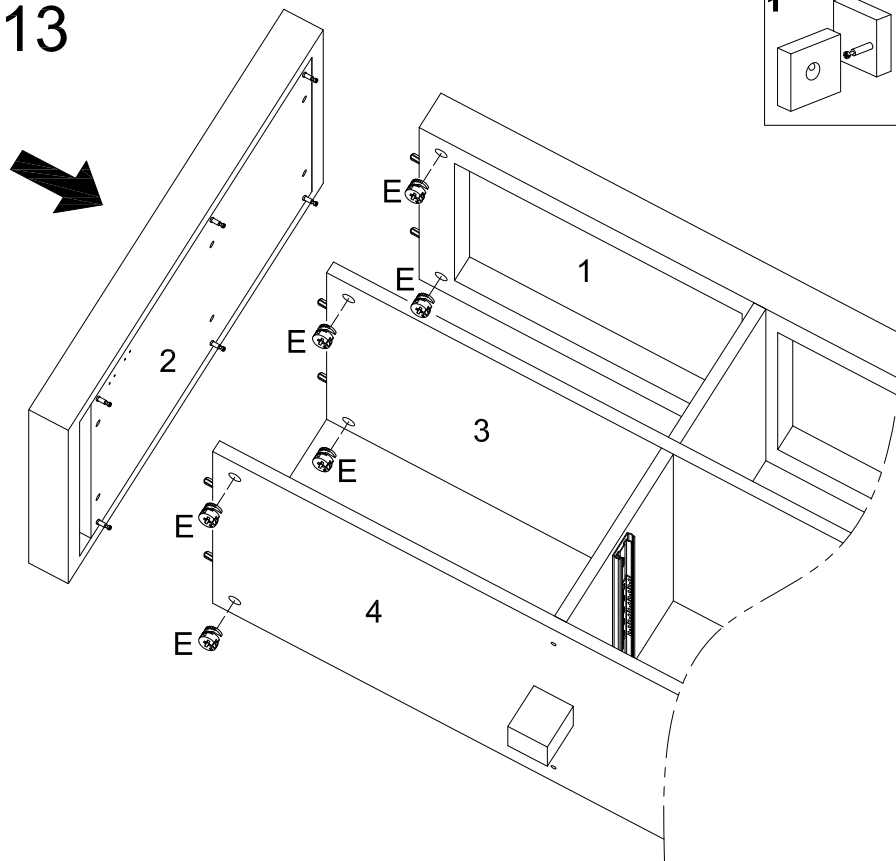
Repeat Step #10 for the other Side

Step 12



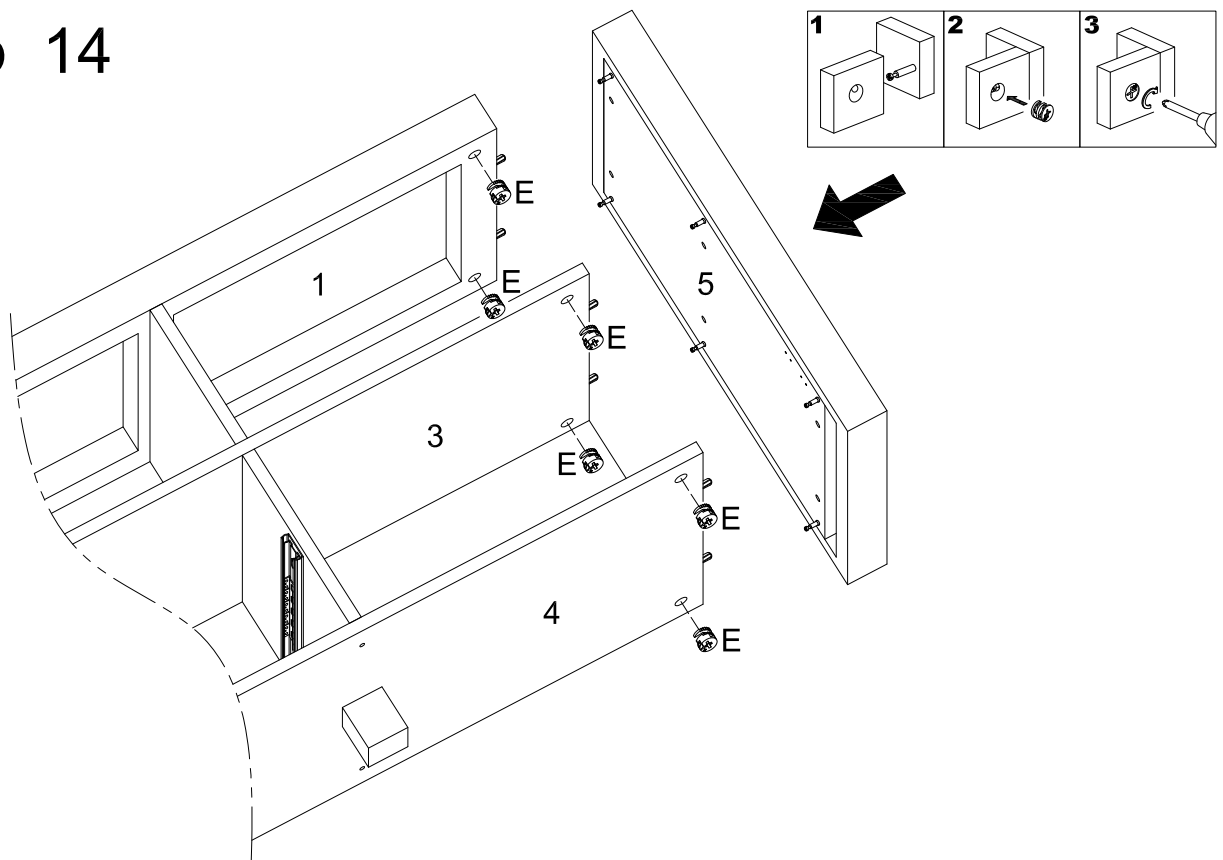
Place the Top Panel (1) to the Side Panel (6) and secure it by the Cam Locks (E)

Step 13



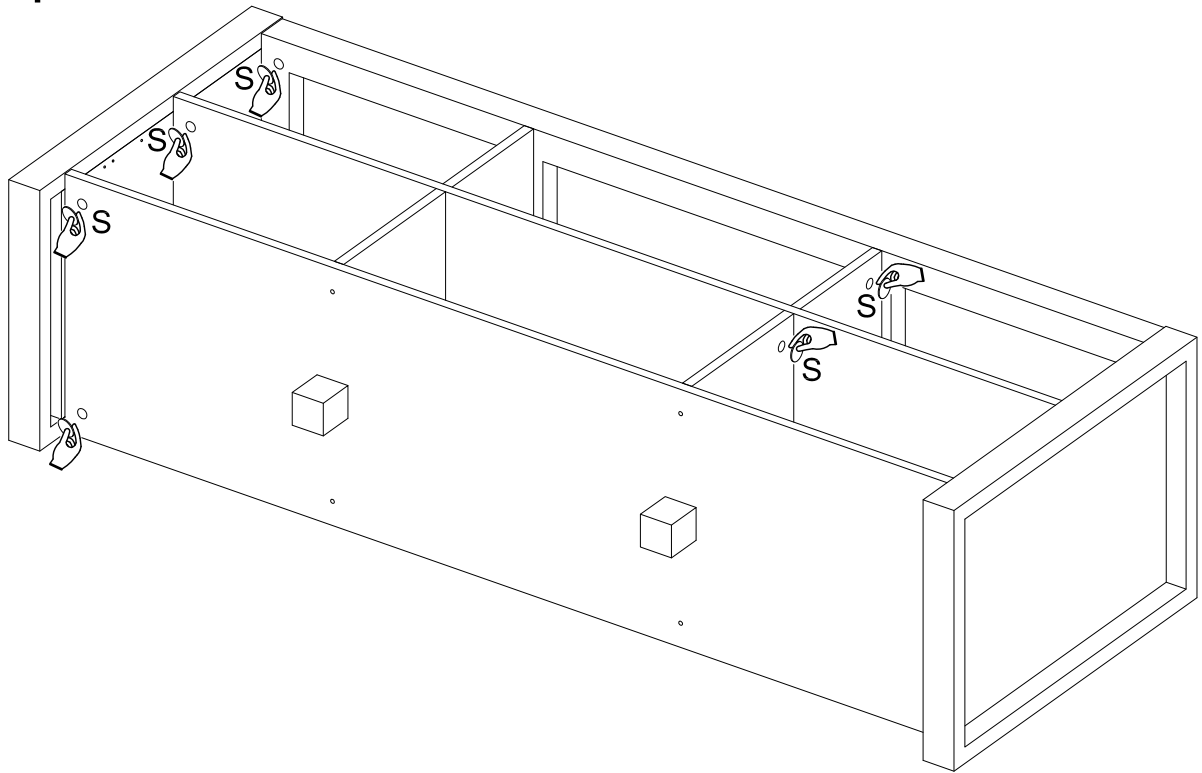
Attached the Metal Frame (2) to the Top Panel (1) and the Wooden Panel (3)(4) with Cam Locks (E)

Step 14



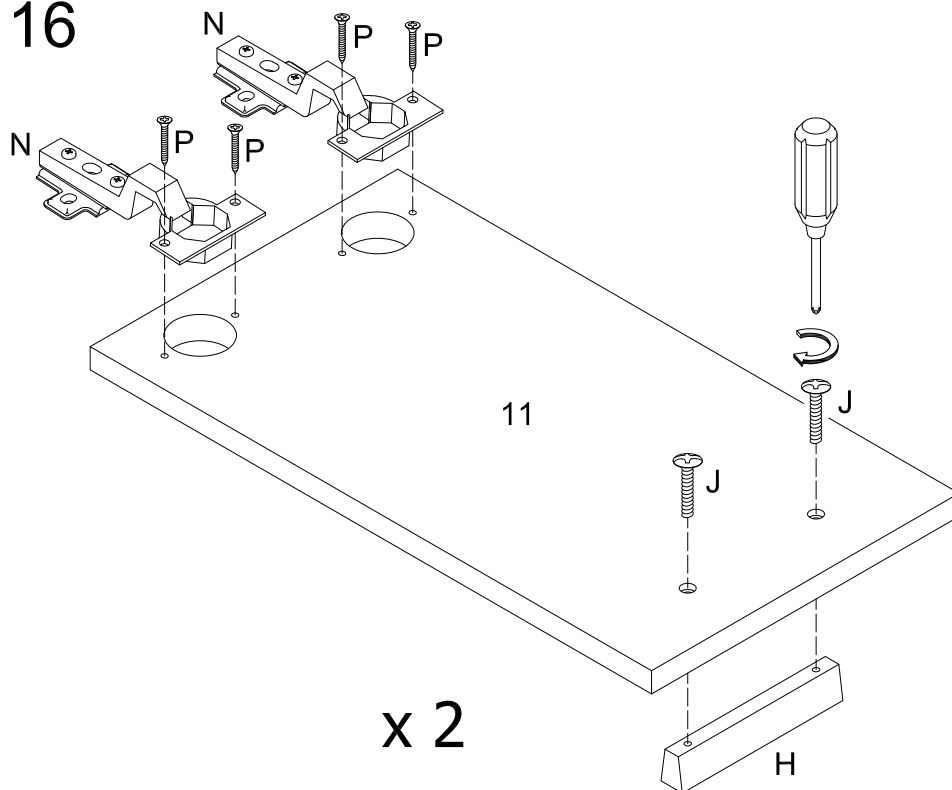
Repeat Step #13 for the Metal Frame (5) for the other side

Step 15



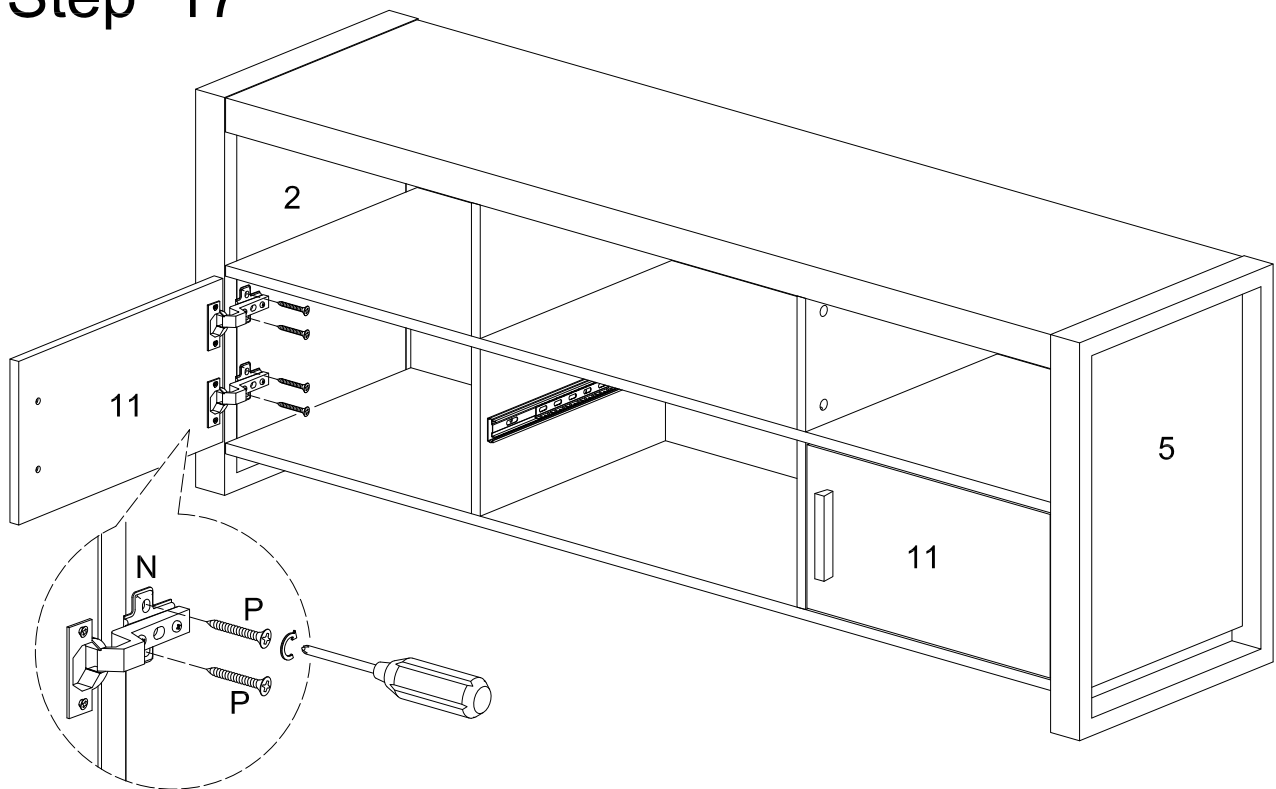
Use the Stickers (S) to cover all the Cam Locks

Step 16



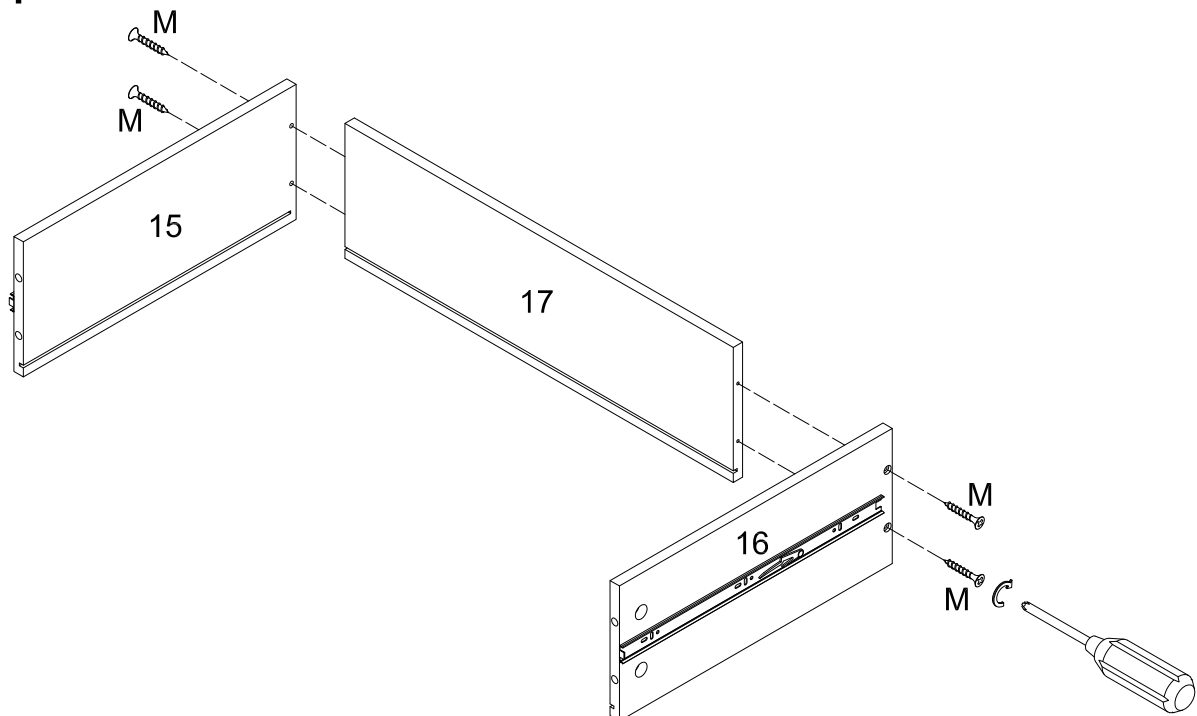
Attached the Door Handle (H) to the Door (11) by Screw (J), attached the Hinge (N) with Screw (P)

Step 17



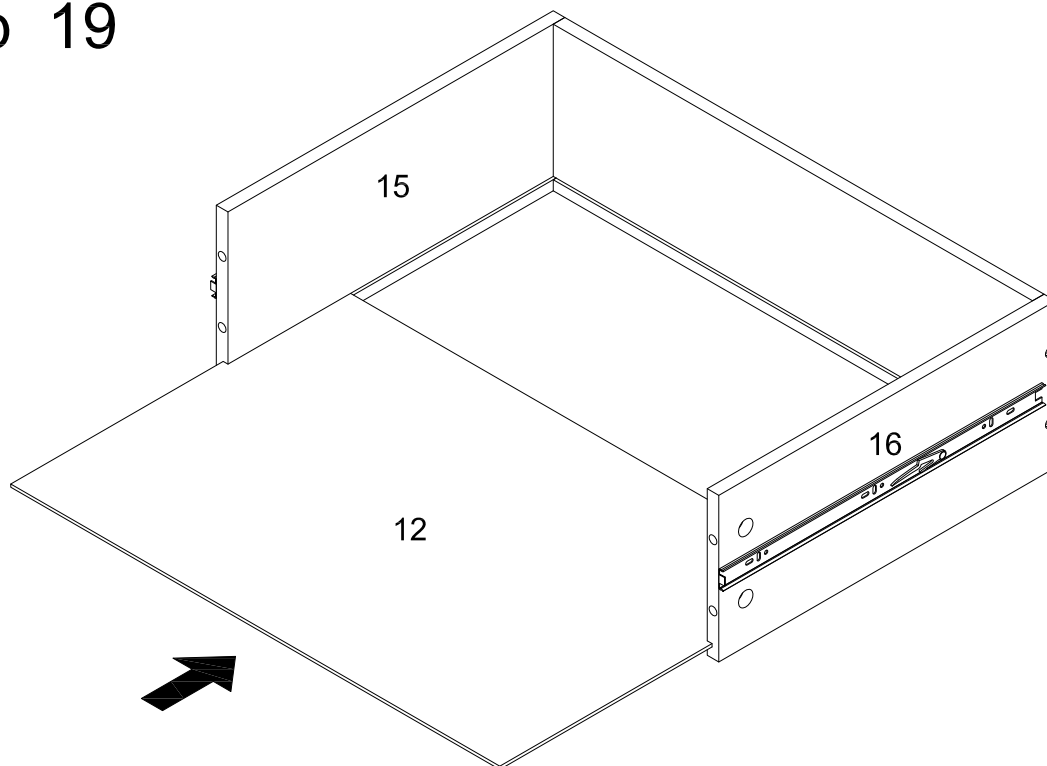
Assemble both Door (11) to the Metal Frame (2)(5) with Screw (P)

Step 18



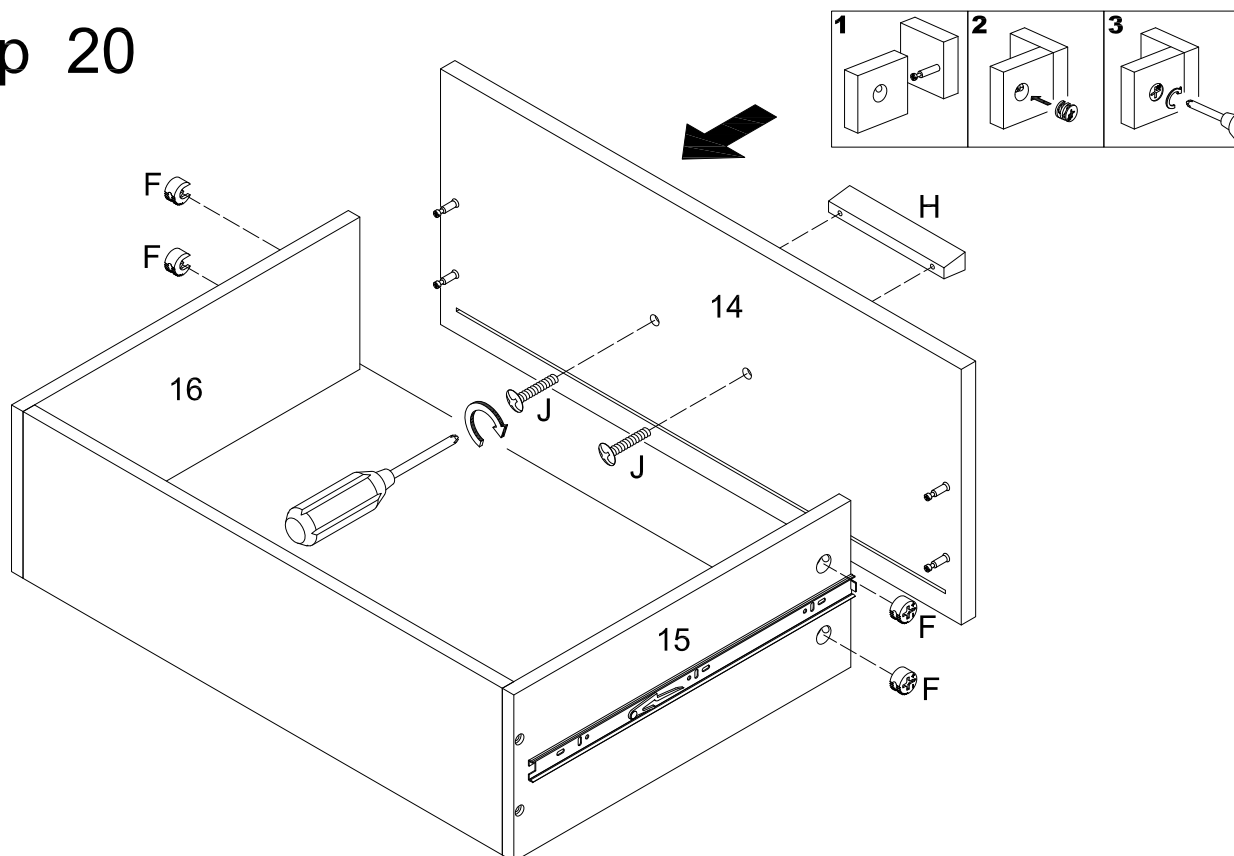
Assemble the Drawer Side Panel (15)(16) to the Drawer Back Panel (17) with Screw (M)

Step 19



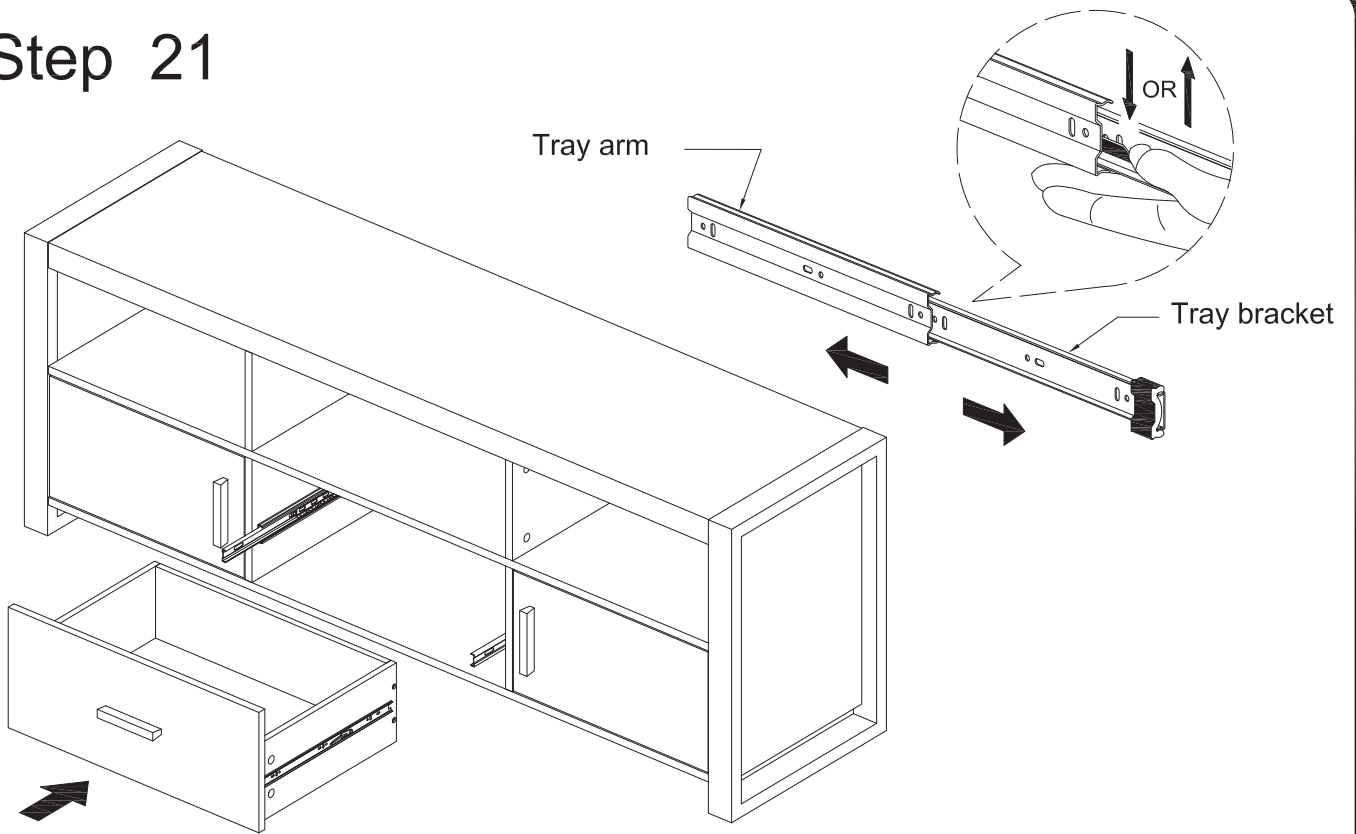
Slide in the Drawer Bottom Panel (12) to the Slot of Drawer Panel (15)(16)

Step 20



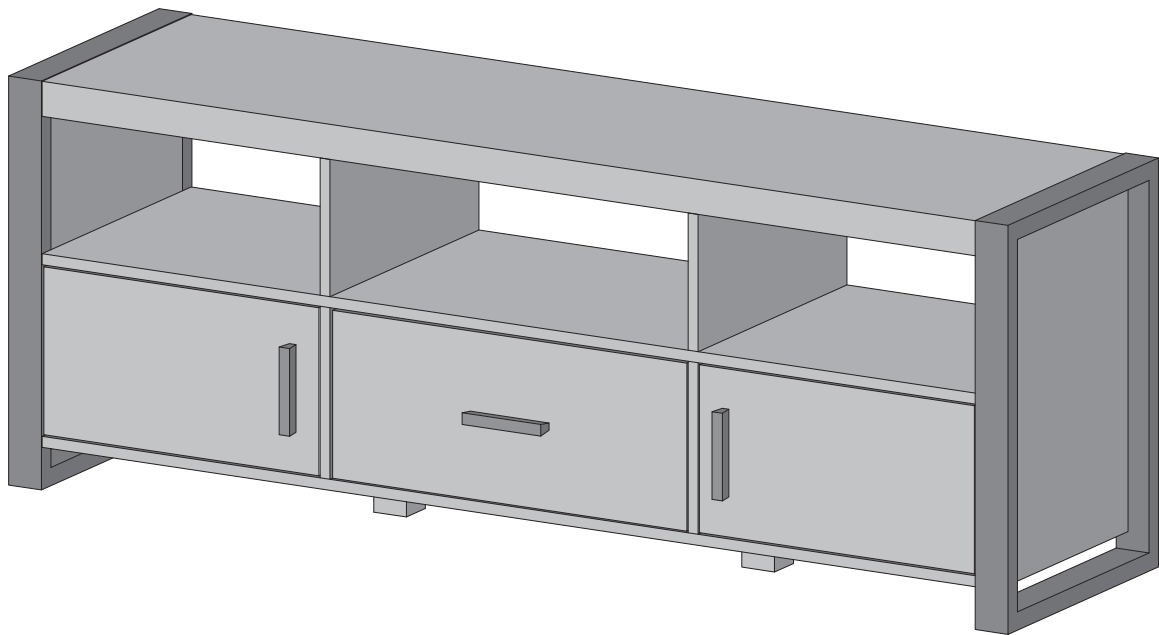
Attached the Door Handel (H) to the Front Drawer Panel (14) with Screw (J), assemble the Front Drawer Panel (14) to the Drawer Side Panel (15)(16) and secure it by the Cam Locks (F)

Step 21



Pull out the Drawers Rails and insert the Drawer as per diagram.

Step 22



Final Assembly