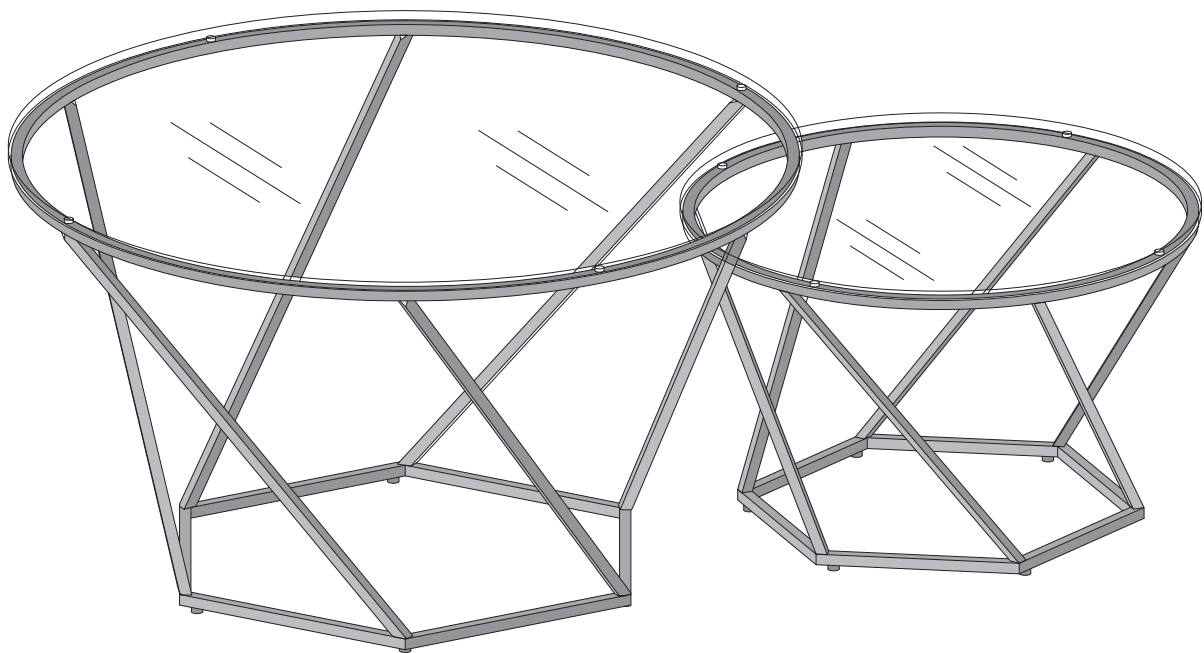


**W** Walker<sup>®</sup>  
Edison  
furniture company

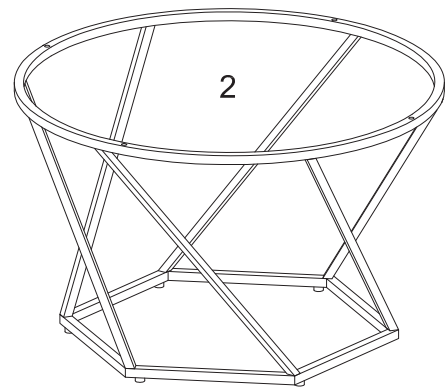
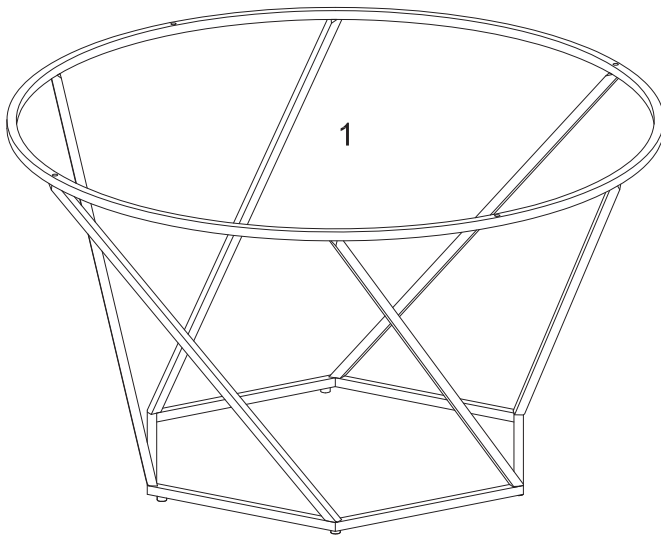
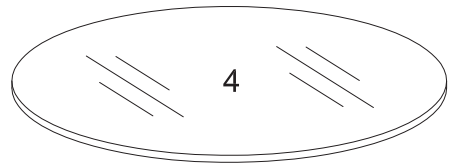
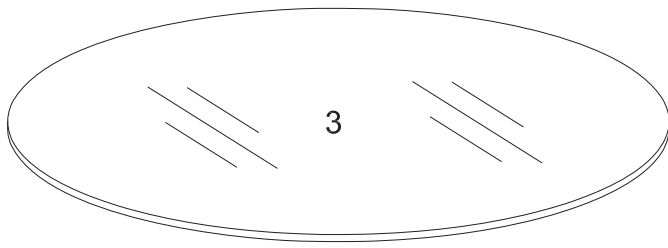
Item # : AF28CLRGG  
Assembly Instructions



*For the most current instructions, additional assembly tips, to report damage or request parts, please visit our website at [www.walker-edison.com](http://www.walker-edison.com).*

Revised 03/2017

# Parts List



# Hardware List

A

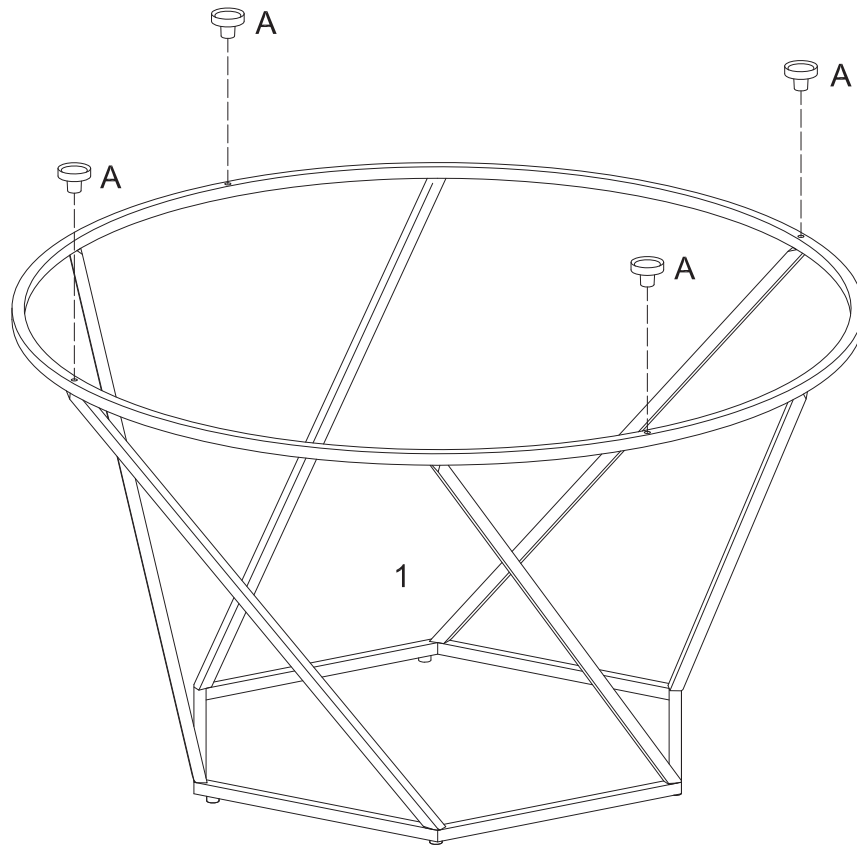


Rubber suction cups

8 pcs

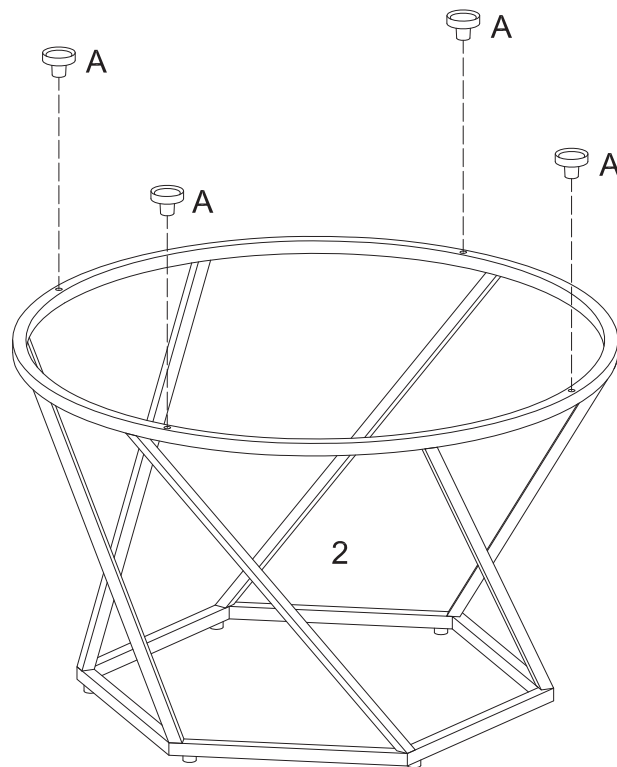
*The hardware quantities listed above are required for proper assembly.  
Some extra hardware may also have been included.*

# Step 1



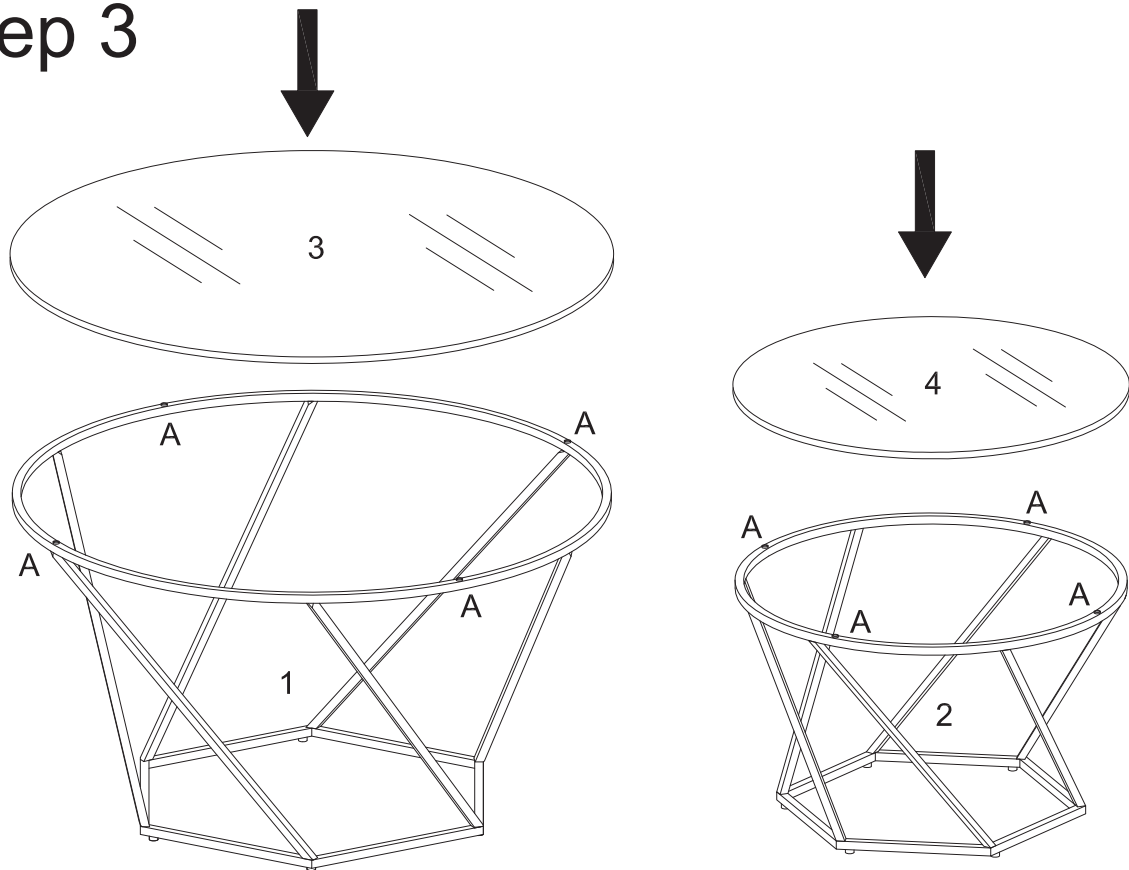
Insert the rubber suction cups (A) to the metal base (1).

# Step 2



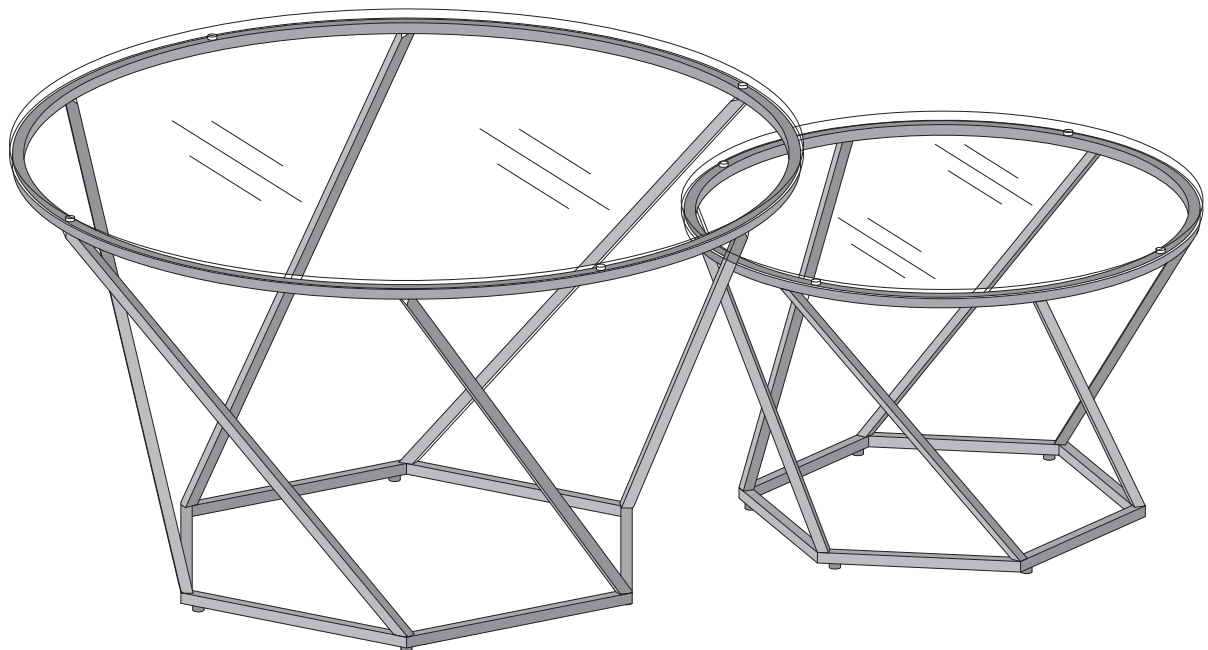
Insert the rubber suction cups (A) to the metal base (2).

## Step 3



Place the glass table top (3,4) on top of the metal base (1,2) carefully as per diagram.

## Step 4



Final Assembly