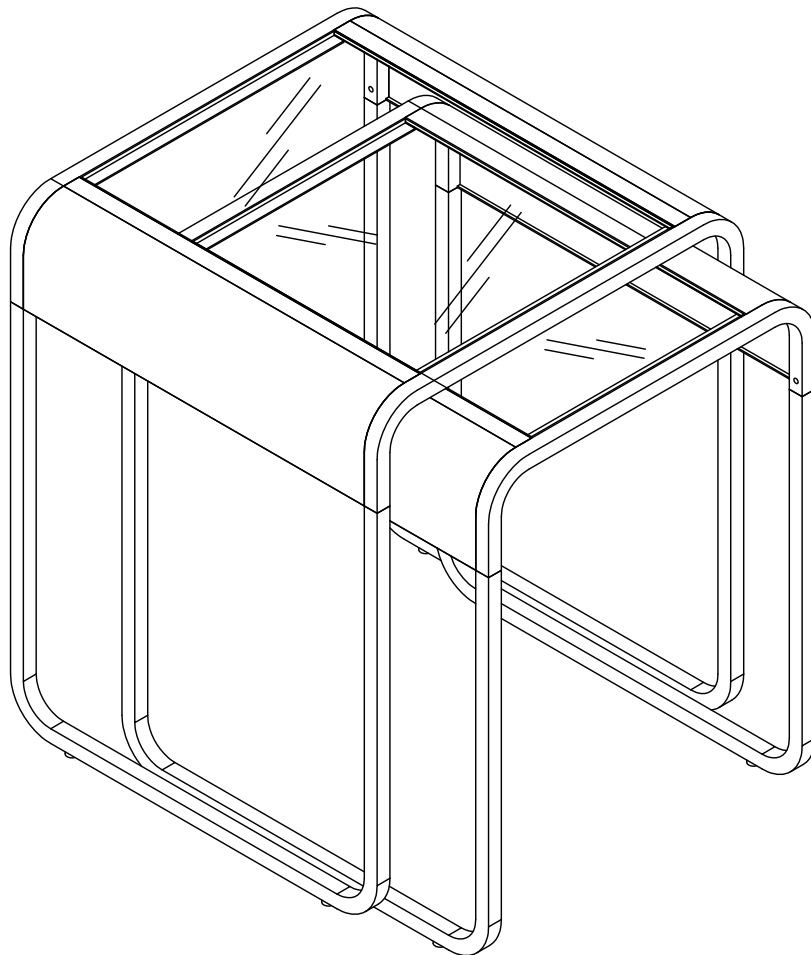


# Item # : AF18CURGST

## Assembly Instructions



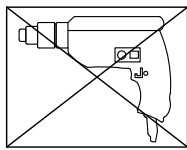
Walker Edison®

*Please visit our website for the most current instructions, assembly tips, report damage, or request parts. [www.walkerediton.com](http://www.walkerediton.com)*

Revised 22/10/2018

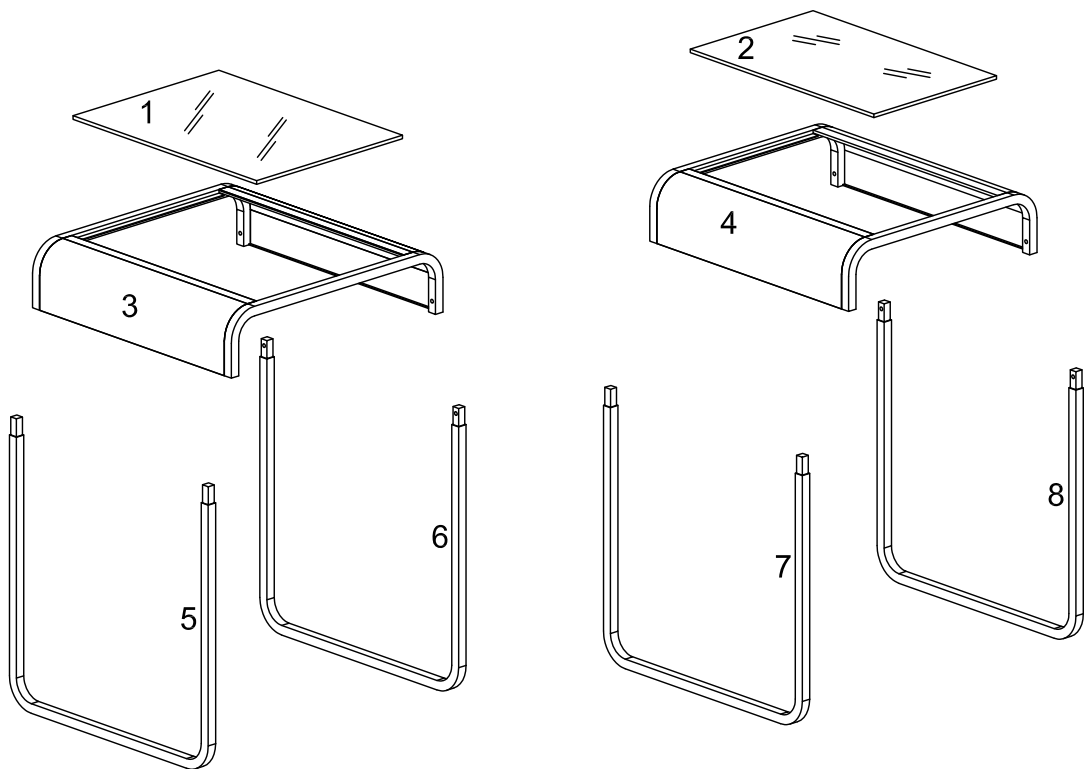
# General Assembly Guidelines

- I. Ensure that all parts and hardware are available before beginning assembly.
- II. Follow each step carefully to ensure the proper assembly of this product.
- III. Two people are recommended for ease in the assembly of this product.
- IV. The main type of hardware used to assemble this product are: bolts and screws.
- V. Power tools should not be used to assemble this product.

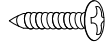
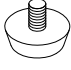



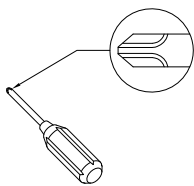
- VI. Drill may be needed for securing product to wall.

# Parts List



# Hardware List

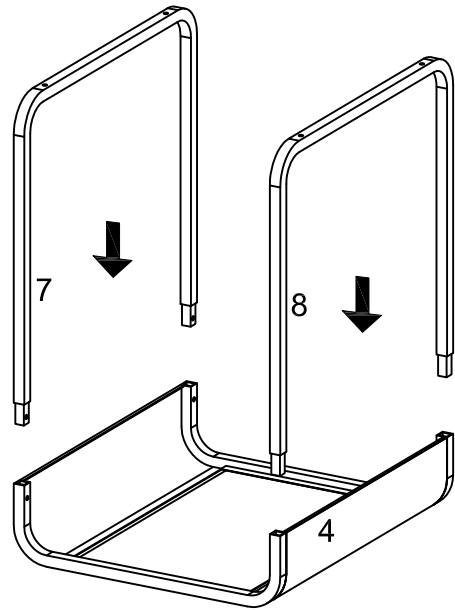
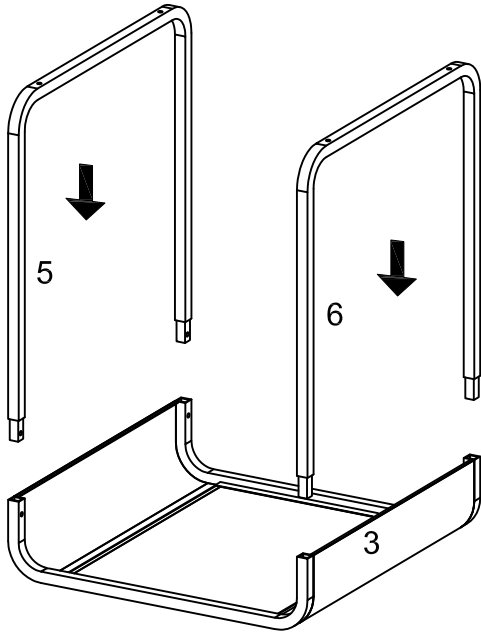
A		Ø4*12mm	Screw	8 pcs
B		Ø1/4"*12mm	Adjustable foot	8 pcs
C		30x10mm	Glass pads	8 pcs



Philips head screwdriver required for assembly  
(not included)

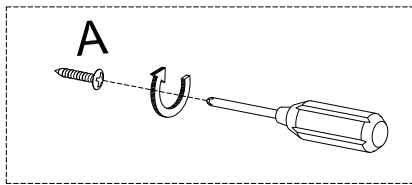
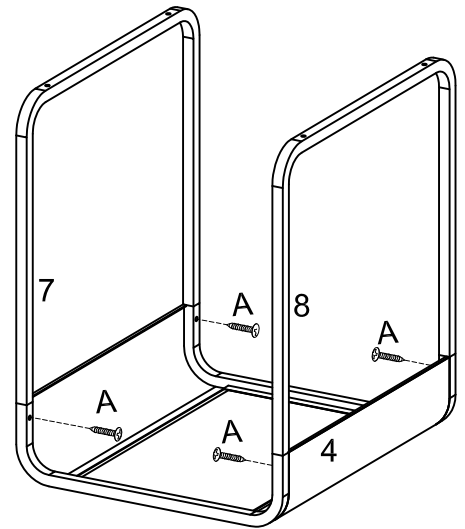
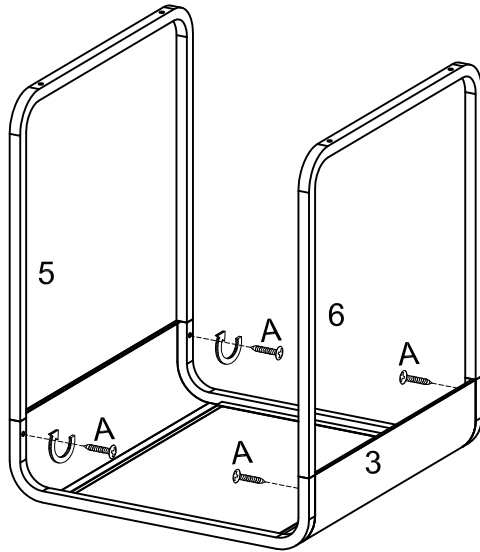
*The hardware quantities listed above are required for proper assembly.  
Some extra hardware may also have been included.*

# Step 1



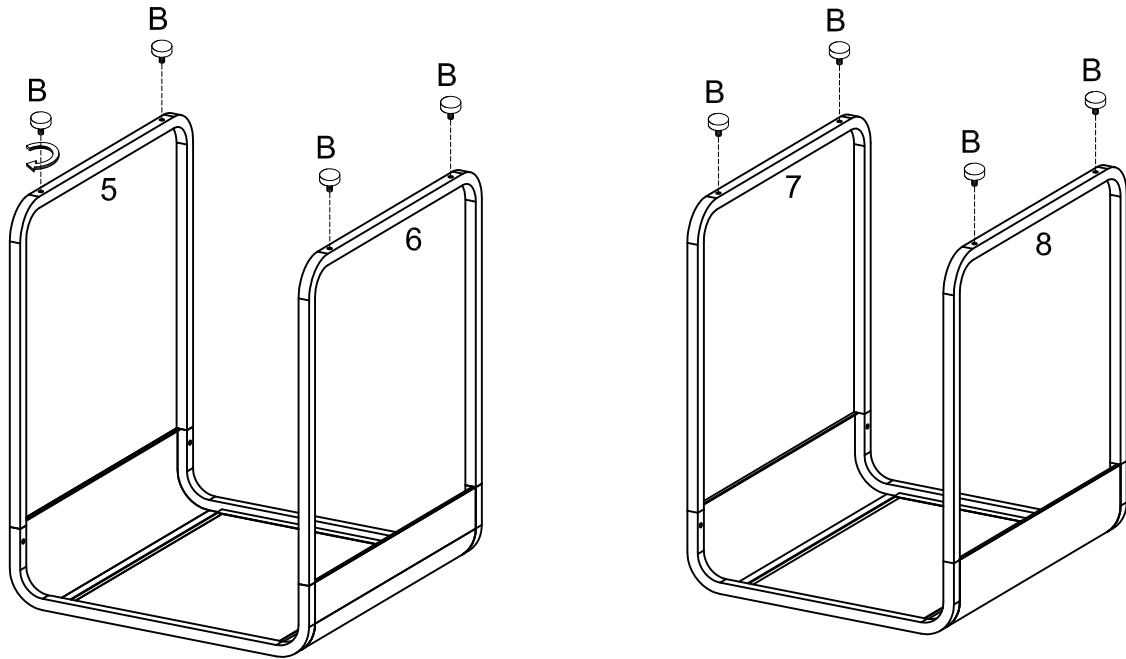
Attach part (5, 6) to part (3), part (7, 8) to part (4).

# Step 2



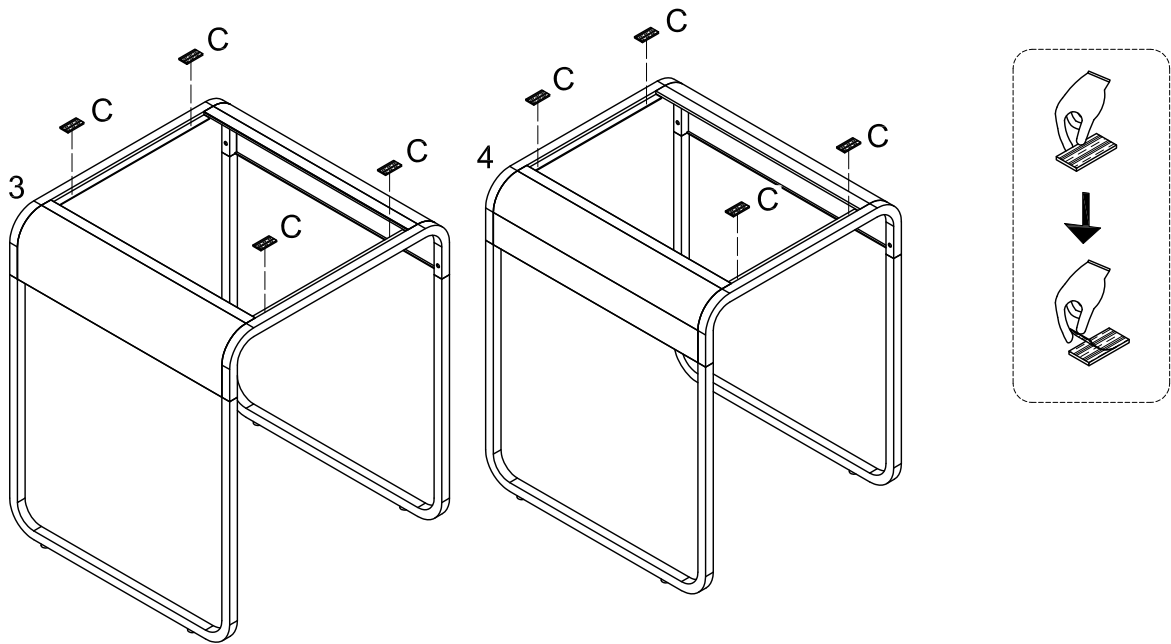
Secure part (5, 6) , (7, 8) to part (3), (4) using screw (A) with Philips head screwdriver.

# Step 3



Screw adjustable foot (B) onto part (5, 6, 7, 8) per diagram.

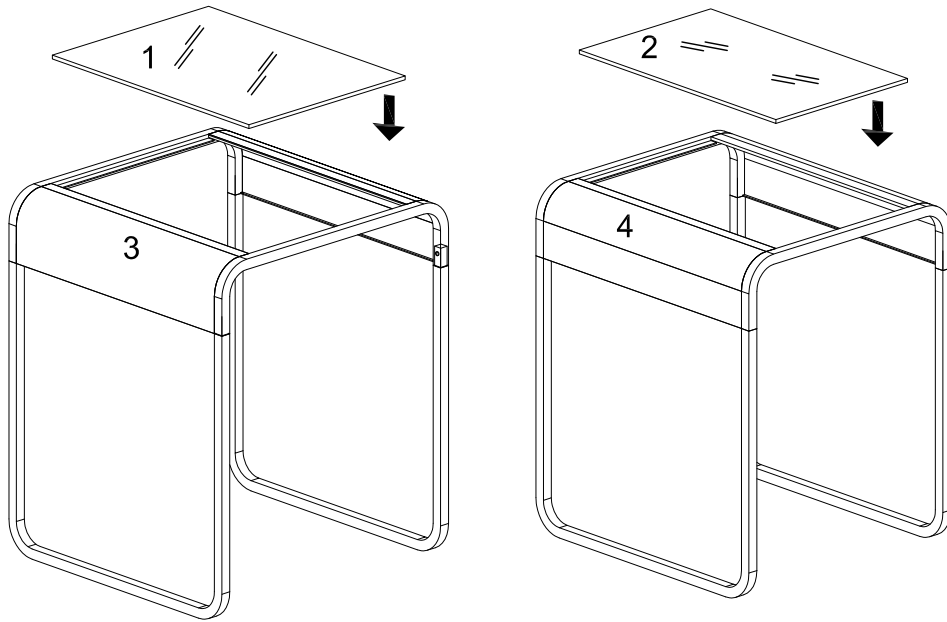
# Step 4



Remove cover tape on glass pads (C), then stick it as diagram.

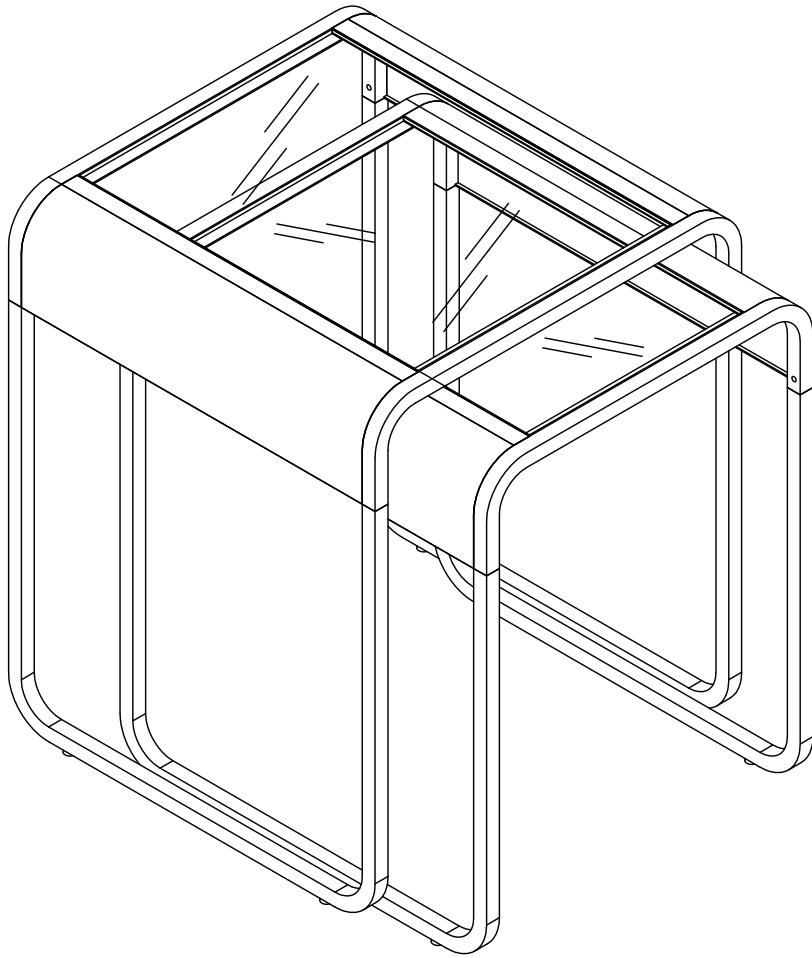


# Step 5



Place glass (1, 2) on part (3, 4) per diagram carefully.

# Step 6



## Final Assembly