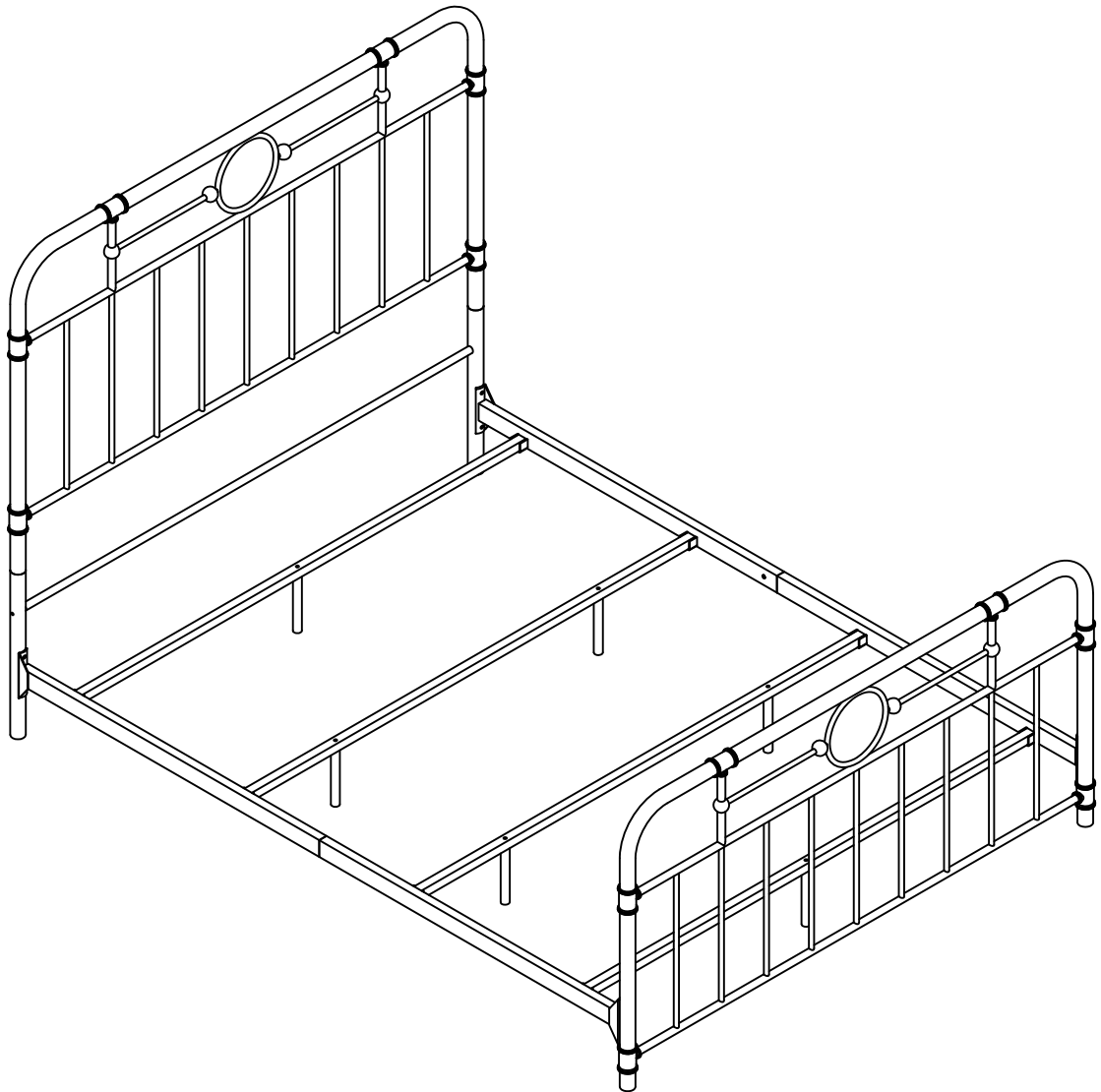


W Walker[®]
Edison
furniture company

Item # : BQMPBR
Assembly Instructions



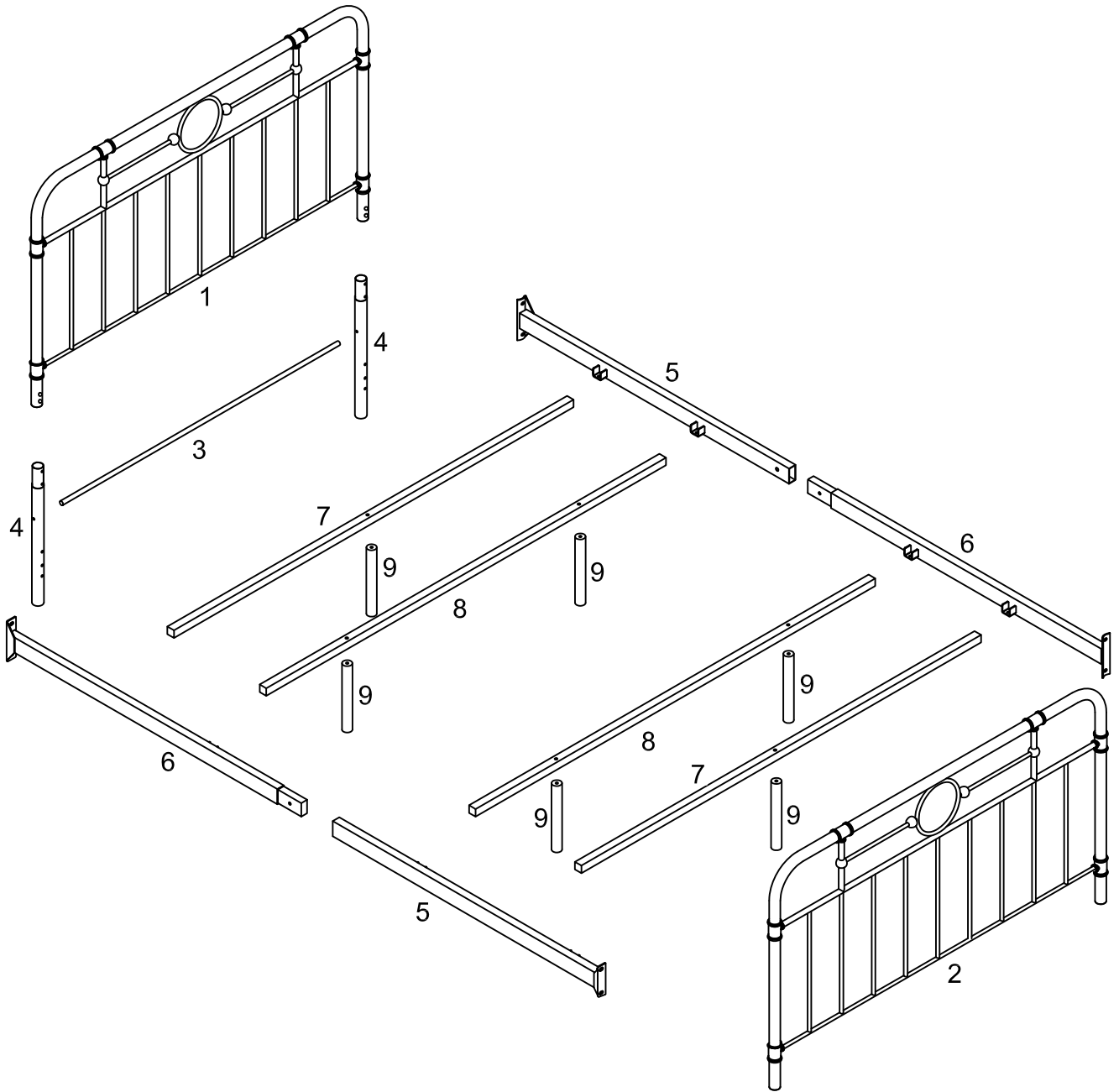
*To request missing, lost or broken parts , or for any other customer service issues,
please visit our website at www.walkeredison.com or call us at 877-207-5906.*

Revised 11/2016






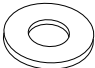

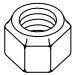

WARNINGS

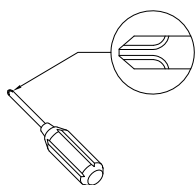
- Do not remove warning label from bed.
- Use only mattress which is 79"-80"long and 59"-60" wide.
- Do not allow horseplay or under the bed and prohibit jumping on the bed.
- Periodically check and ensure that all the components are in their proper position, free from damage, and that all connectors are tight.
- Do not use substitute parts, Contact the store for replacement part.
- Maximum total weight is exceed 600 lbs.
- **Keep these instructions for future reference.**

Parts List



Hardware List

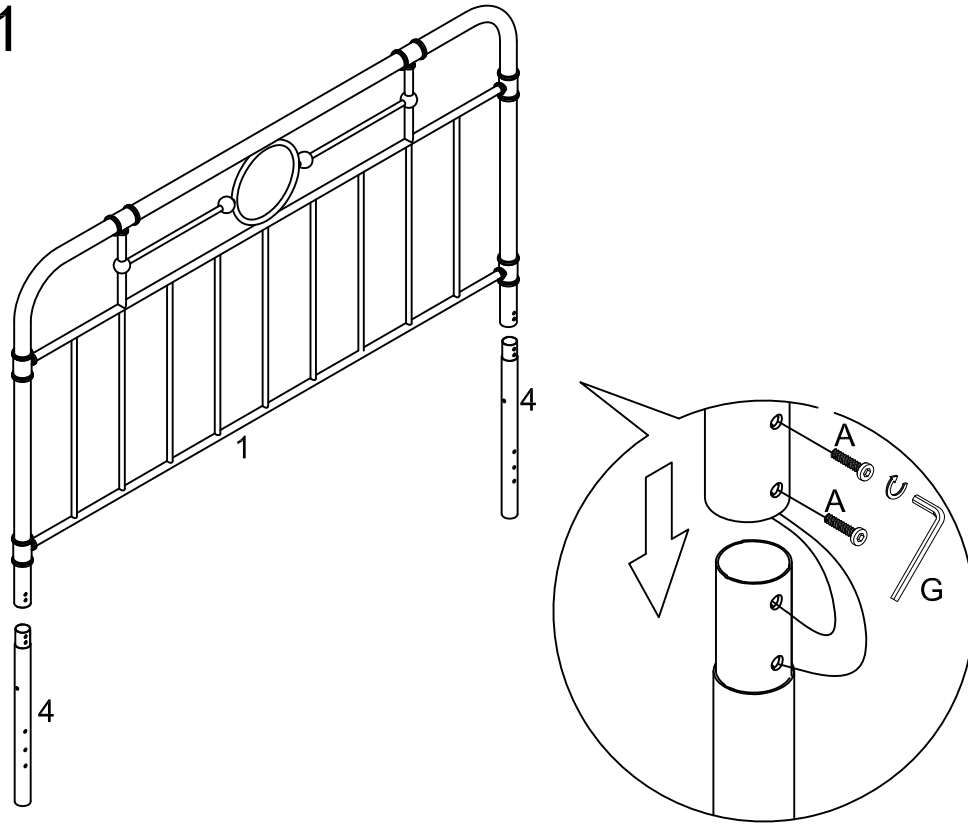
A		1/4"x1/2"	Bolt	4 pcs
B		1/4"x5/8"	Bolt	14 pcs
C		1/4"x3/4"	Bolt	4 pcs
D		1/4"x1-3/4"	Bolt	6 pcs
E		1/4"x2-1/4"	Bolt	6 pcs
F		16MM	Washer	28 pcs
G		4x4M	Wrench	1 pc
H		1/4"	Nut	4 pcs
J		11.3mm	Wrench	1 pc



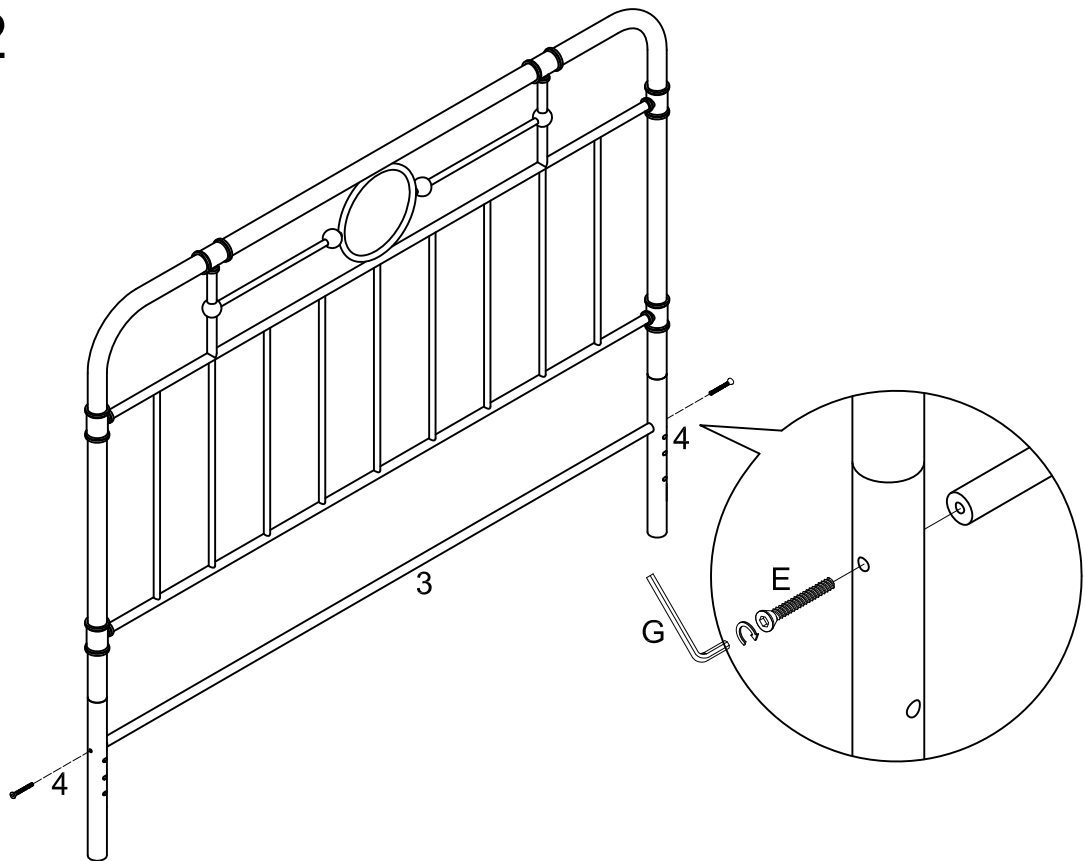
Philips head screwdriver required for assembly
(not included)

*The hardware quantities listed above are required for proper assembly.
Some extra hardware may also have been included.*

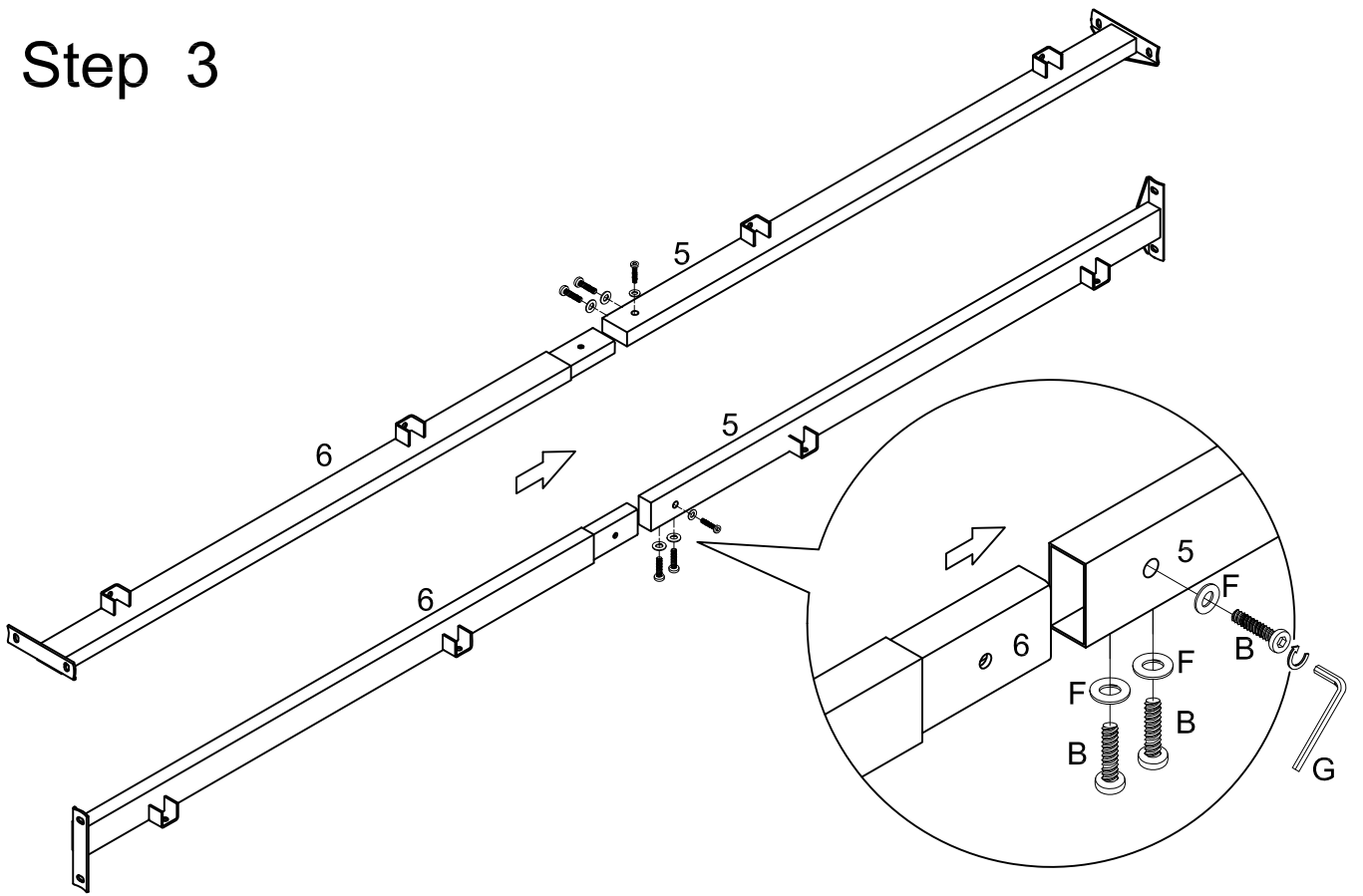
Step 1



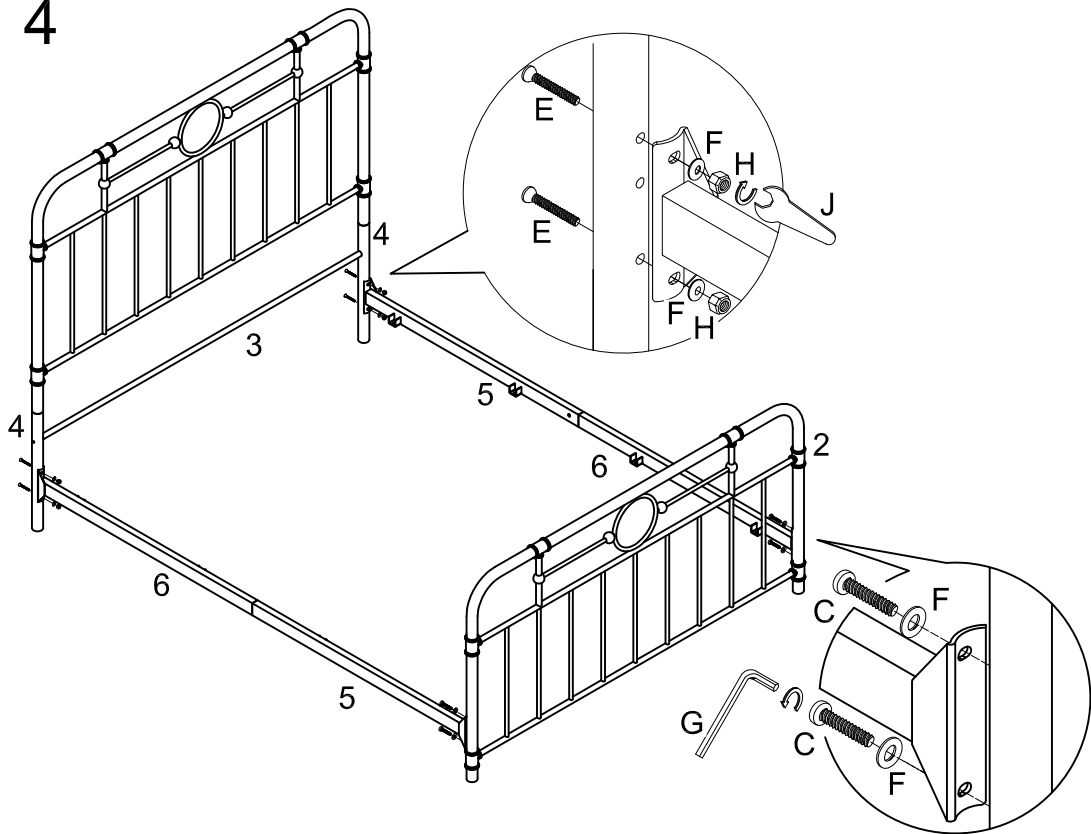
Step 2



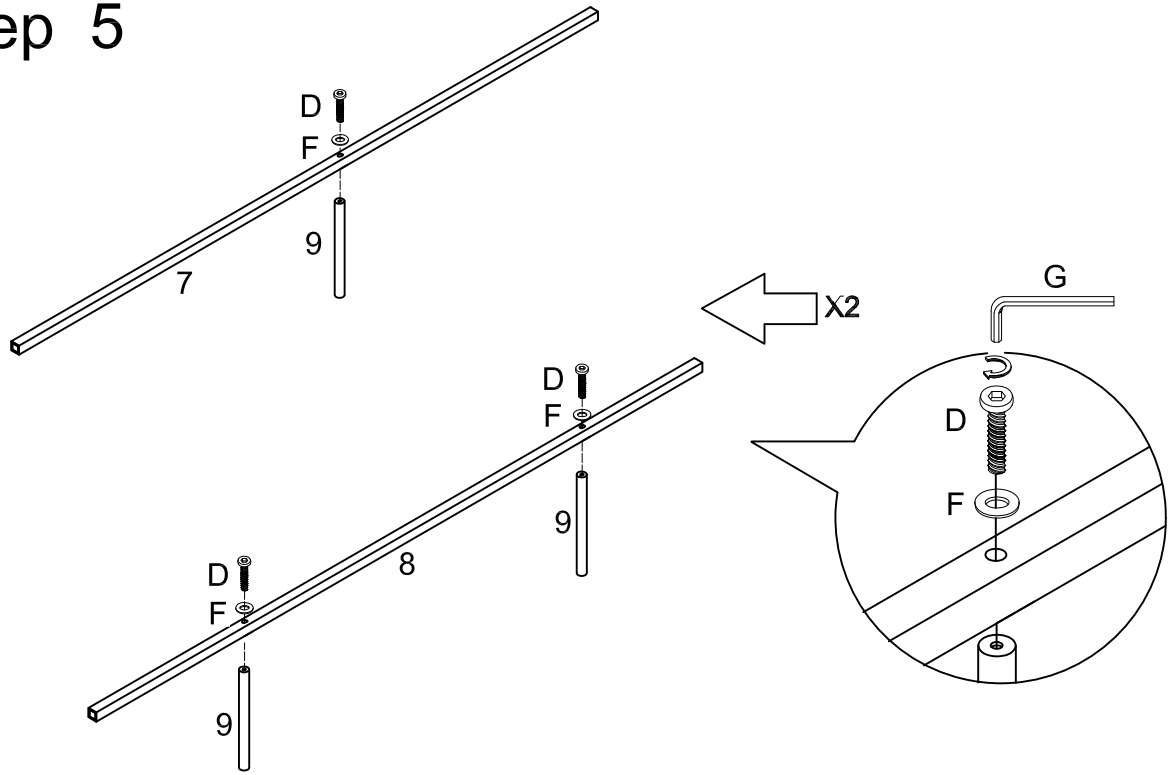
Step 3



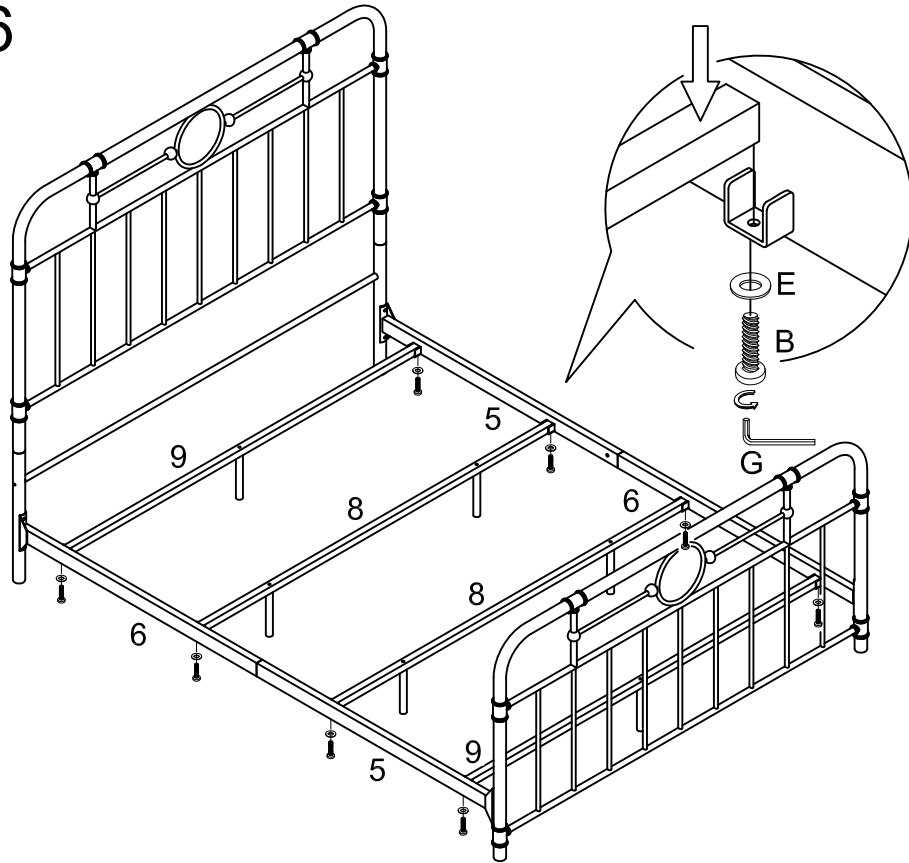
Step 4



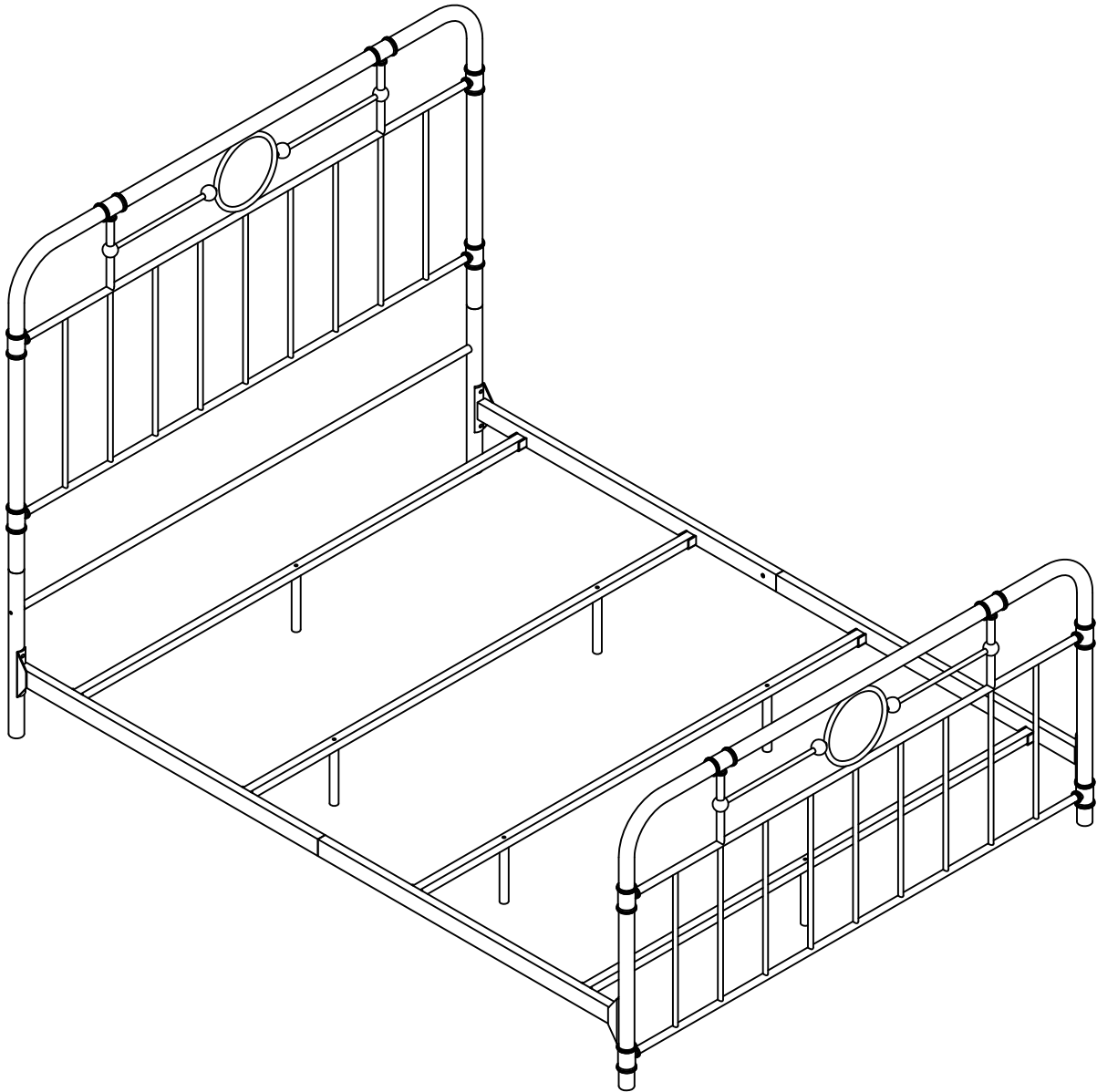
Step 5



Step 6



Step 7



Final Assembly