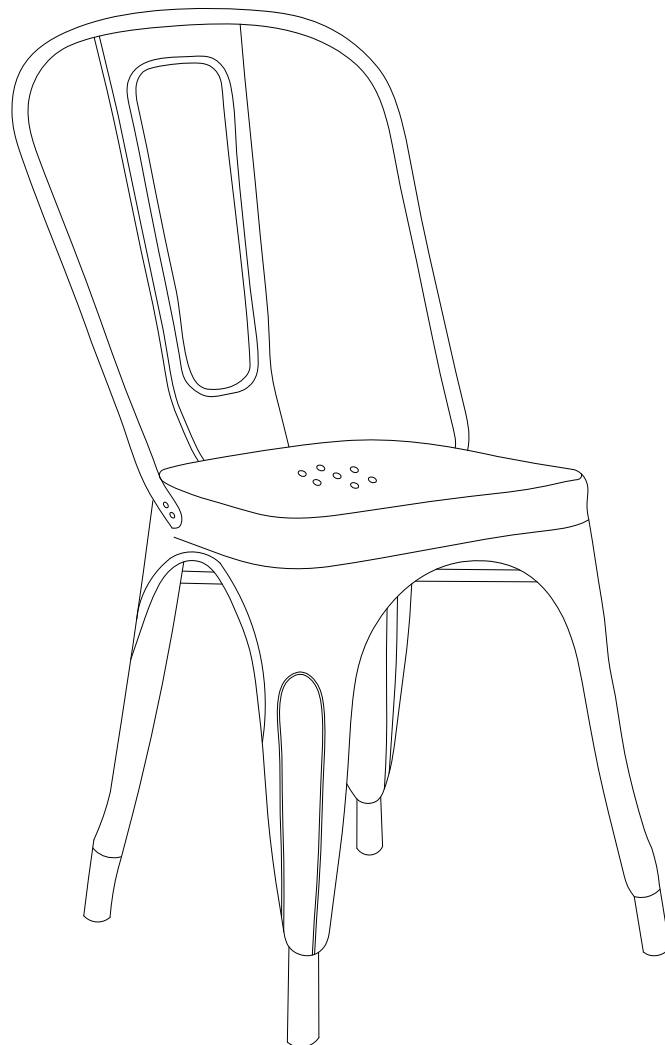


W Walker[®]
Edison
furniture company

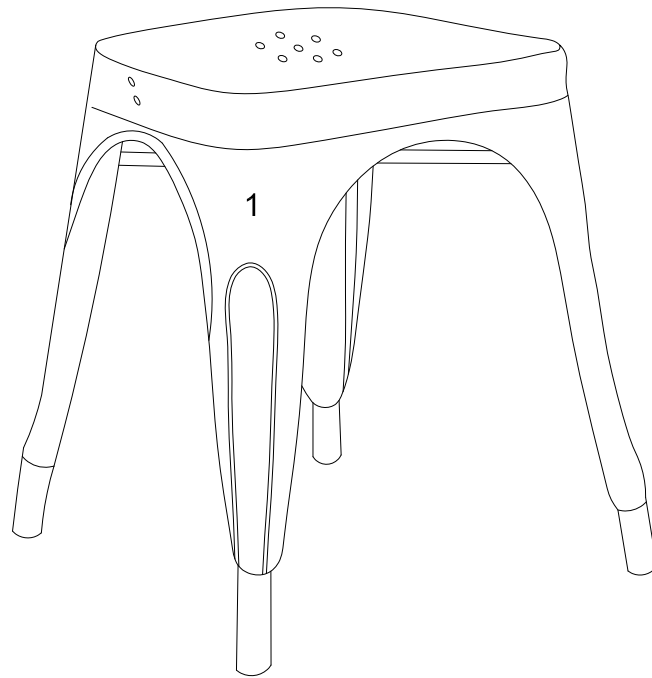
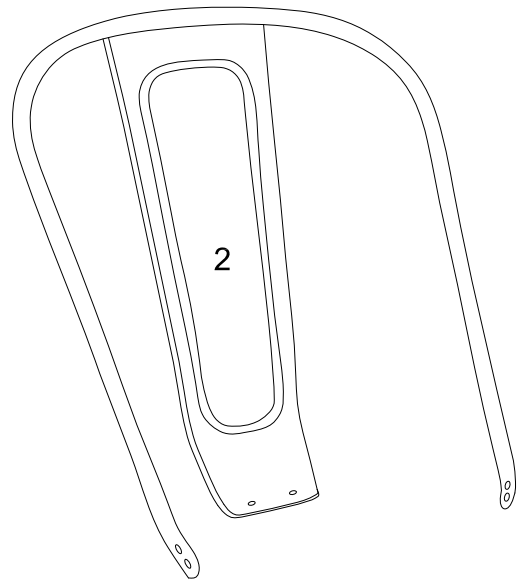
Item # :CH33MC
Assembly Instructions



Please visit our website for the most current instructions, assembly tips, report damage, or request parts. www.walkeredison.com

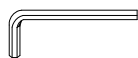
Revised 03/2017

Parts List



Hardware List

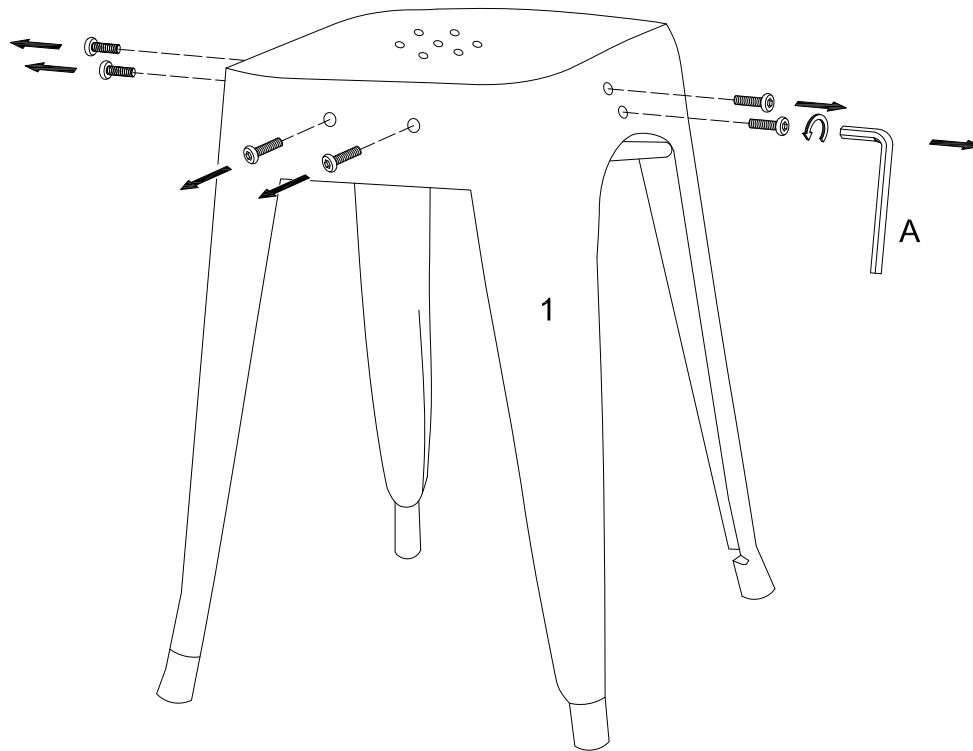
A



Wrench

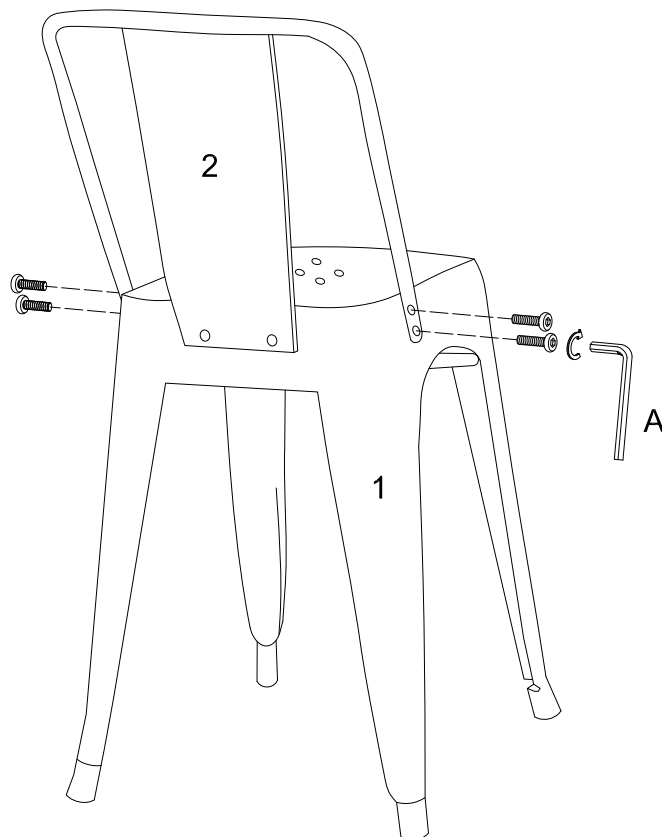
1 pc

Step 1



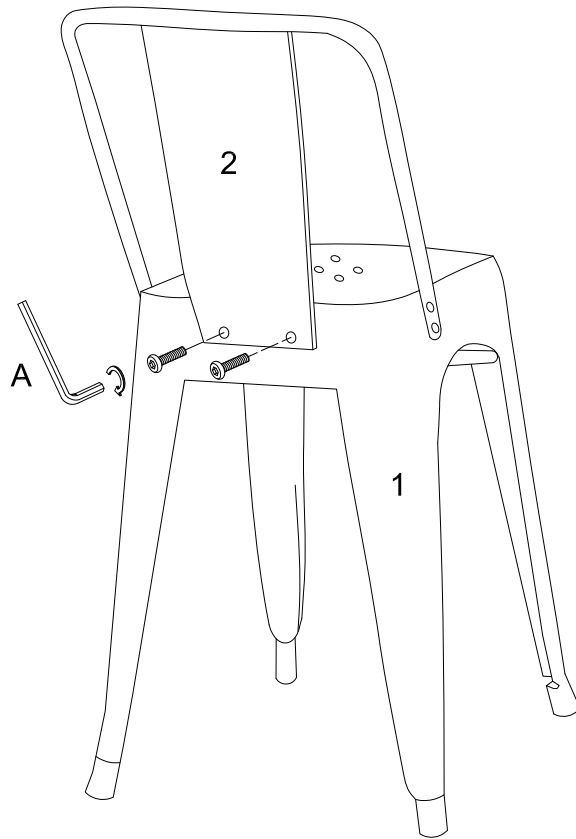
Remove the bolts from the chair seat (1) using wrench (A) as shown in the diagram.

Step 2



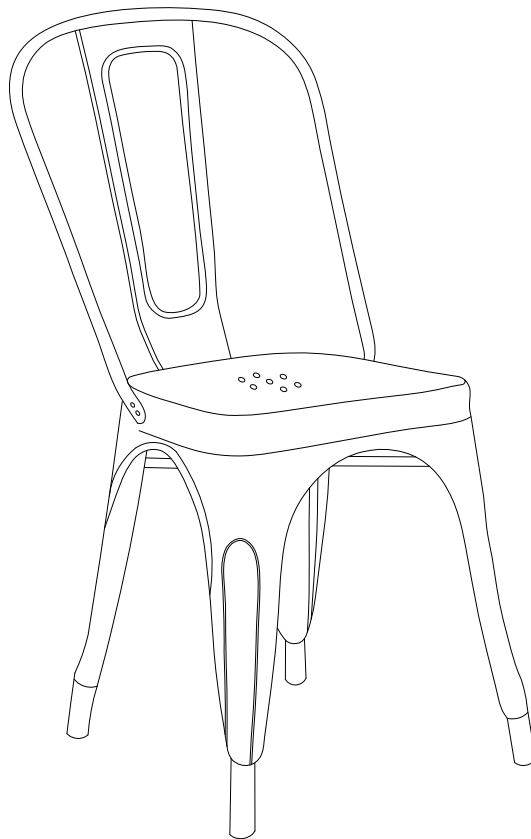
Secure the back panel (2) to the chair seat (1) using bolts and wrench (A) as shown in the diagram. Secure bolts but not tighten completely until step #3.

Step 3



Secure the back panel (2) to the chair seat (1) using bolts and wrench (A) as shown in the diagram. Tighten all bolt at this time.

Step 4



Final Assembly