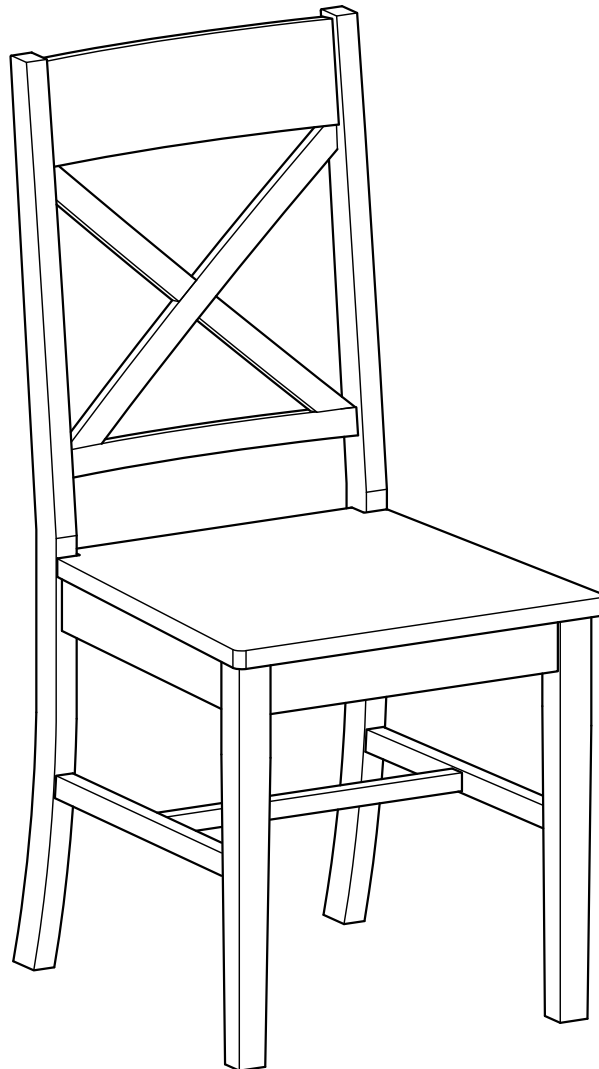


W Walker[®]
Edison
furniture company

Item # : CHW2
Assembly Instructions

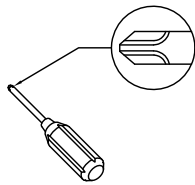


Please visit our website for the most current instructions, assembly tips, report damage, or request parts. www.walkeredison.com

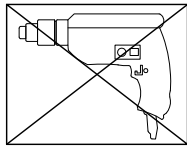
Revised 06/2017

General Assembly Guidelines

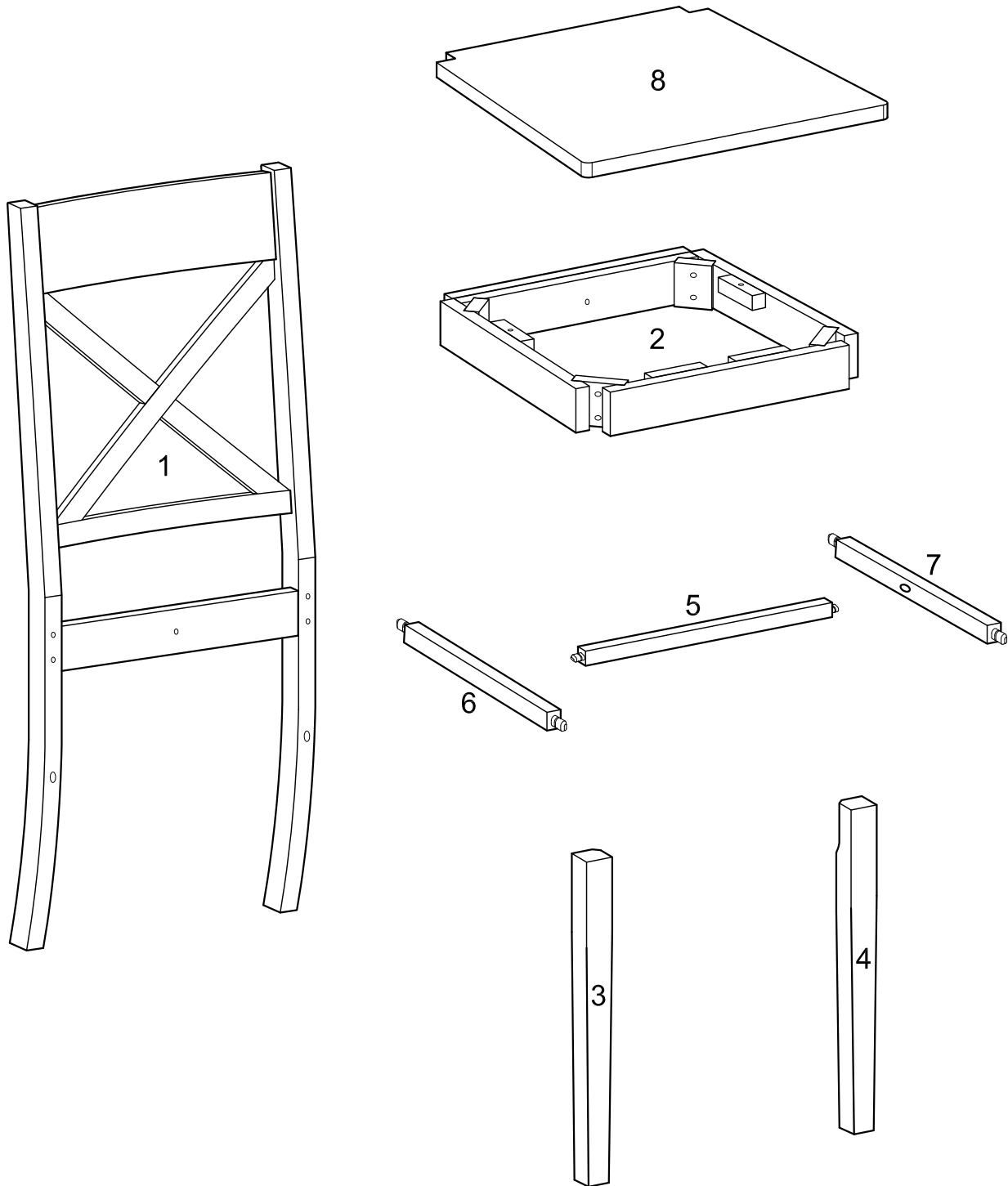
- I. Ensure that all parts and hardware are available before beginning assembly.
- II. Follow each step carefully to ensure the proper assembly of this product.
- III. Two people are recommended for ease in the assembly of this product.
- IV. The three main types of hardware used to assemble this product are : wood dowels , screws and bolts.
- V. A Phillips head screwdriver is required for the assembly of this product .







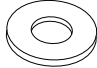
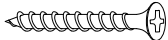


- VI. Power tools should not be used to assemble this product .

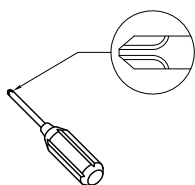


Parts List



Hardware List

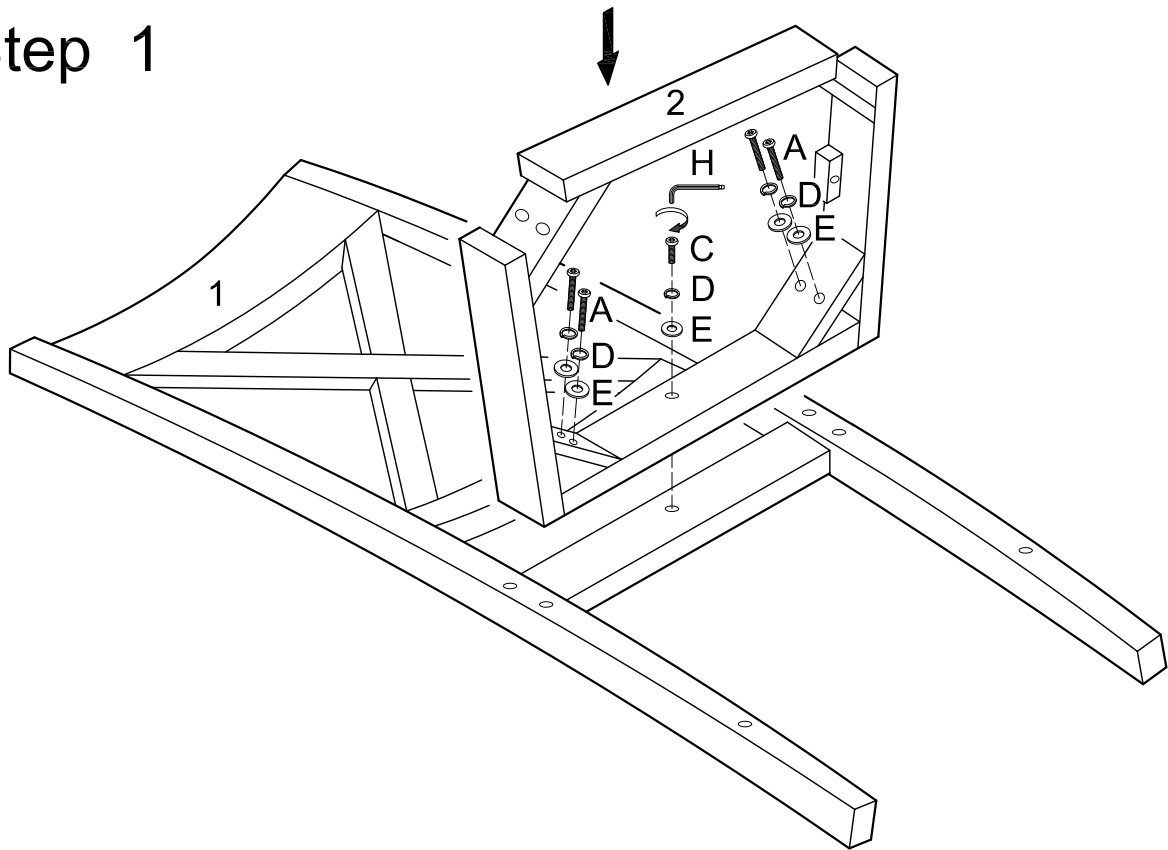
A		M6*80(mm)	bolt	4 pcs
B		M6*60(mm)	bolt	4 pcs
C		M6*35(mm)	bolt	1 pc
D		Ø1/4"	Spring washer	9 pcs
E		Ø1/4"	Washer	9 pcs
F		Ø4*38(mm)	screw	4 pcs
G		Ø4*32(mm)	screw	6 pcs
H		M4(mm)	Wrench	1 pc



Philips head screwdriver required for assembly
(not included)

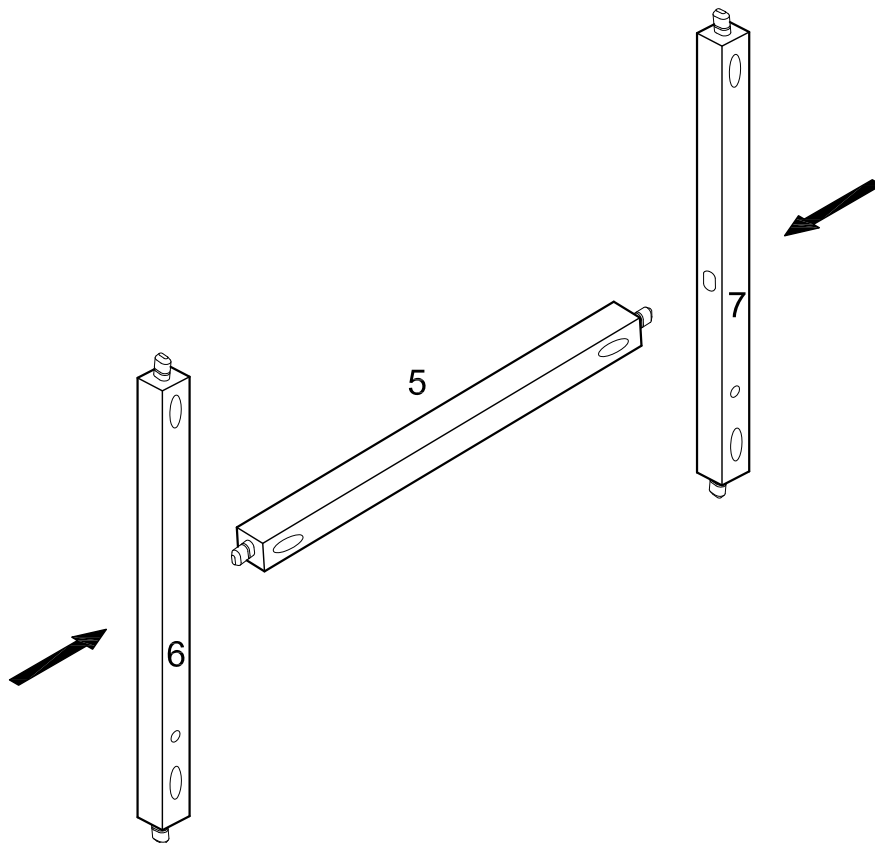
*The hardware quantities listed above are required for proper assembly.
Some extra hardware may also have been included.*

Step 1



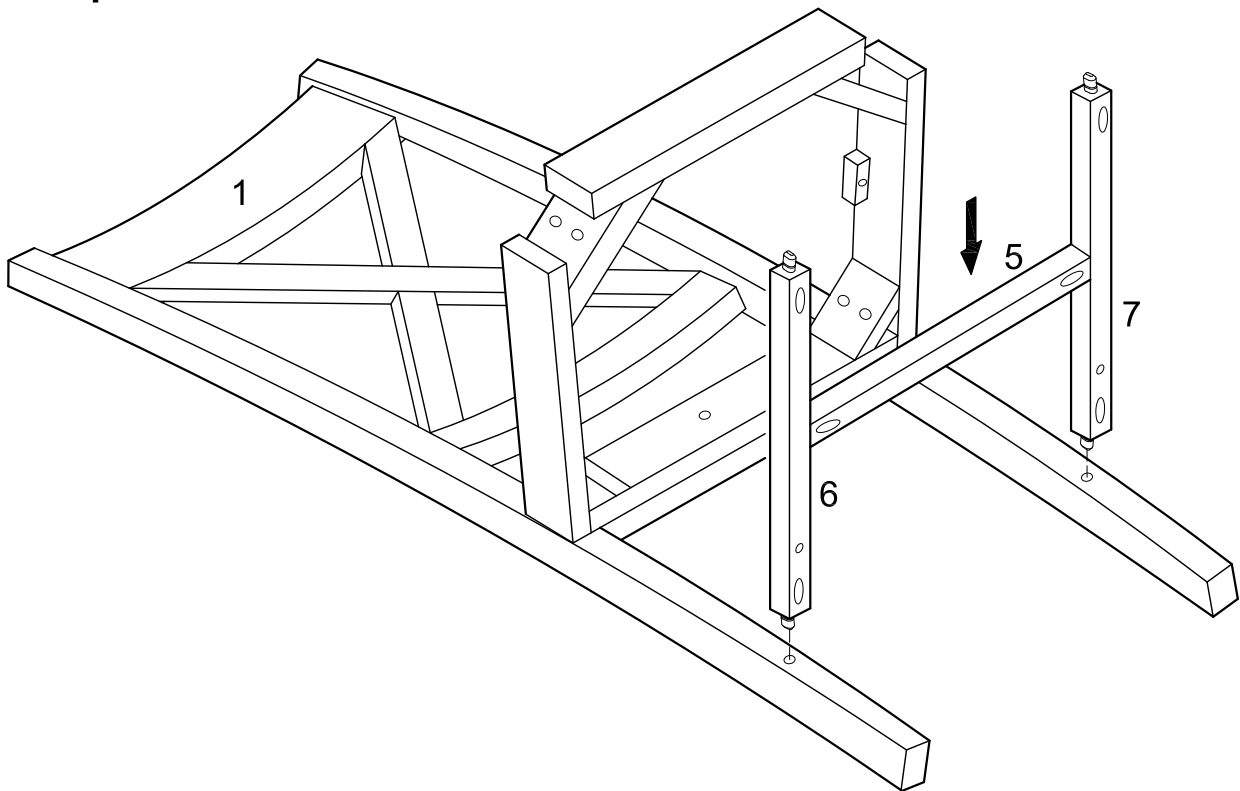
Attach seat frame (2) to chair back (1) using bolt (C), spring washer (D) and washer (E) at the center point and bolts (A), spring washers (D) and washers (E) in the corners. Tighten all bolts (A,C) with wrench (H).

Step 2



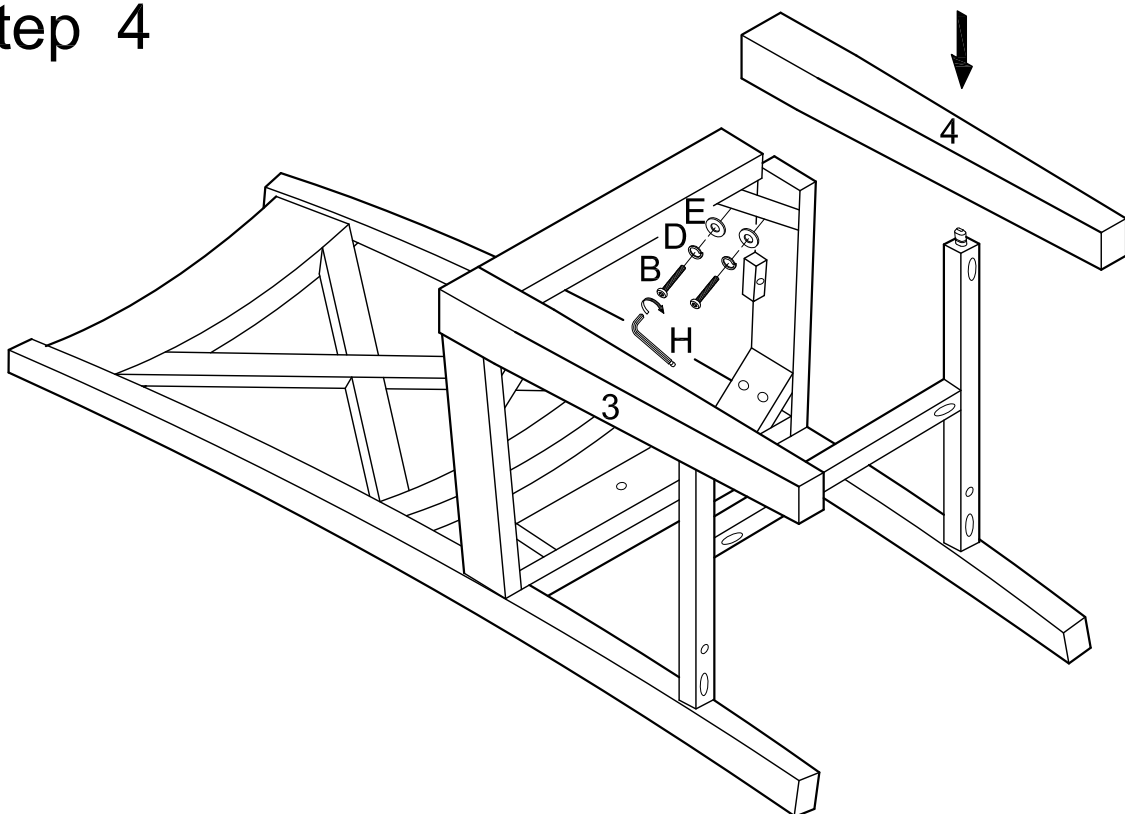
Attach crossbars (6,7) to crossbar (5) using dowels as guides.

Step 3



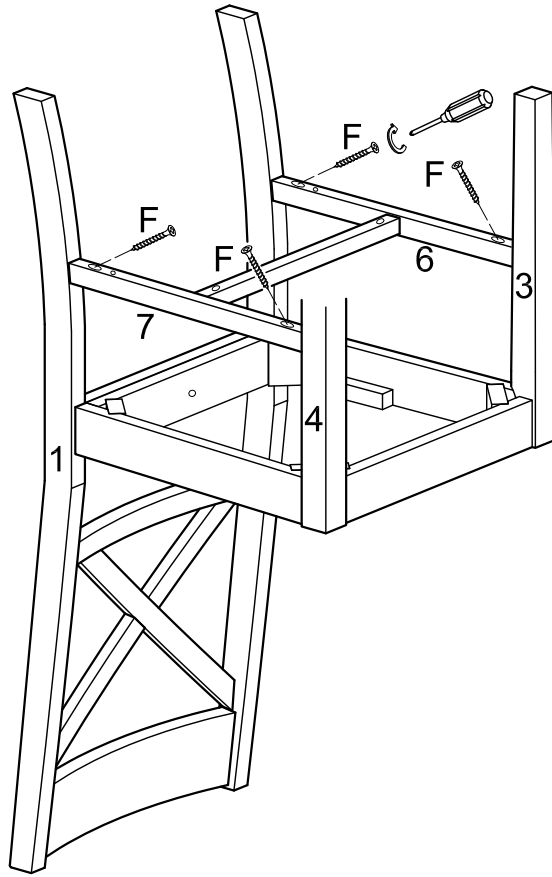
Attach crossbars (6,7) with crossbar (5) to chair back (1) using dowels as guides.

Step 4



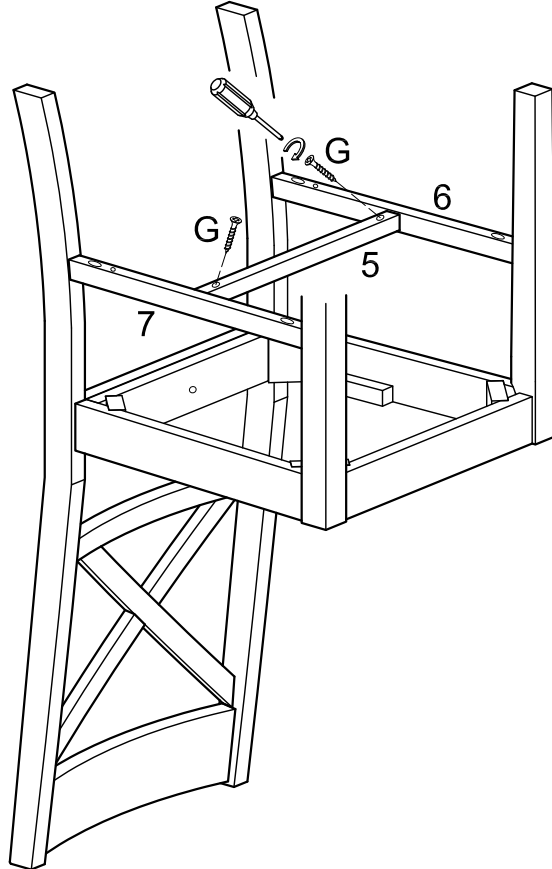
Attach legs (3,4) to the chair assembly using bolts (B), spring washers (D) and washers (E). Tighten all bolts (B) with wrench (H).

Step 5



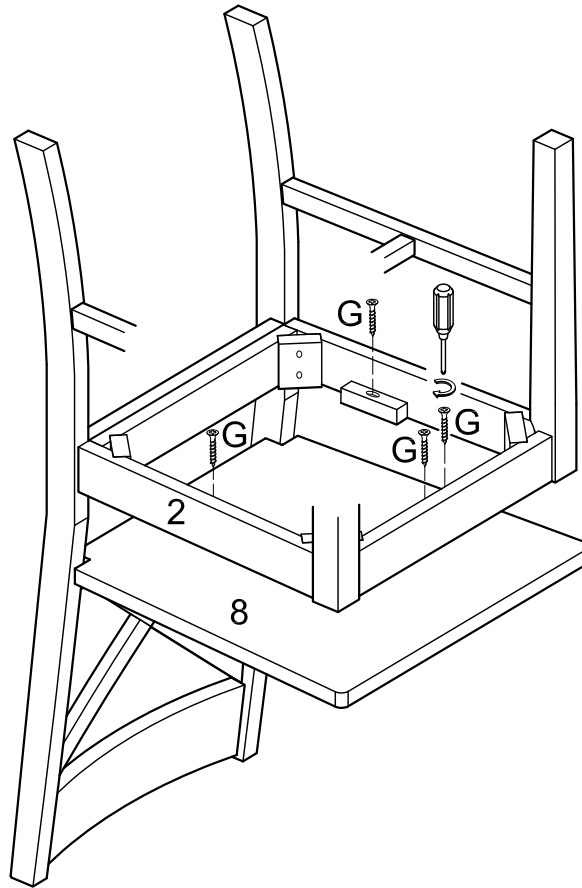
Secure crossbars (6,7) to chair legs (3,4) and chair back (1) using screws (F). Tighten screws (F) with a screwdriver.

Step 6



Secure crossbar (5) to crossbars (6,7) using screws (G). Tighten screws (G) with a screwdriver.

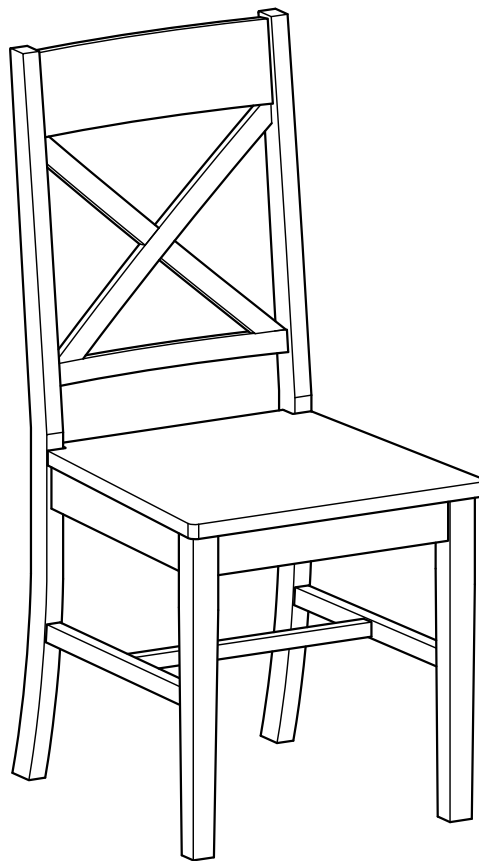
Step 7



Attach seat (8) to seat frame (2) using screws (G). Tighten screws (G) with a screwdriver.

Note: Seat (8) is not pre-drilled for screws (G) for added strength. Holes on seat bottom are not used for assembly.

Step 8



Final Assembly