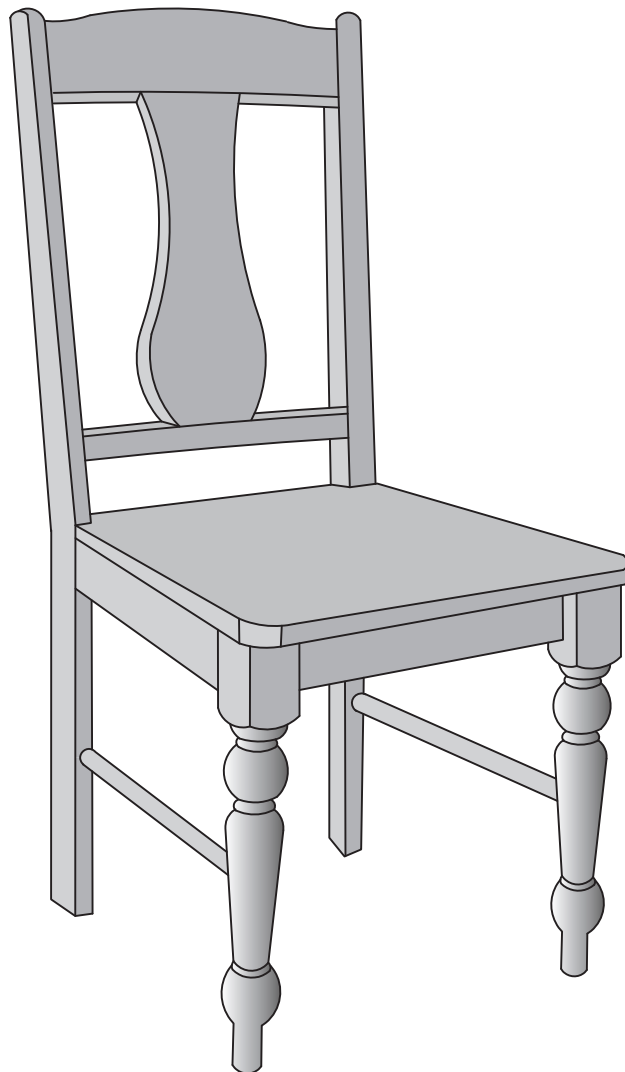


W Walker[®]
Edison
furniture company

Item # : CHW2TL
Assembly Instructions



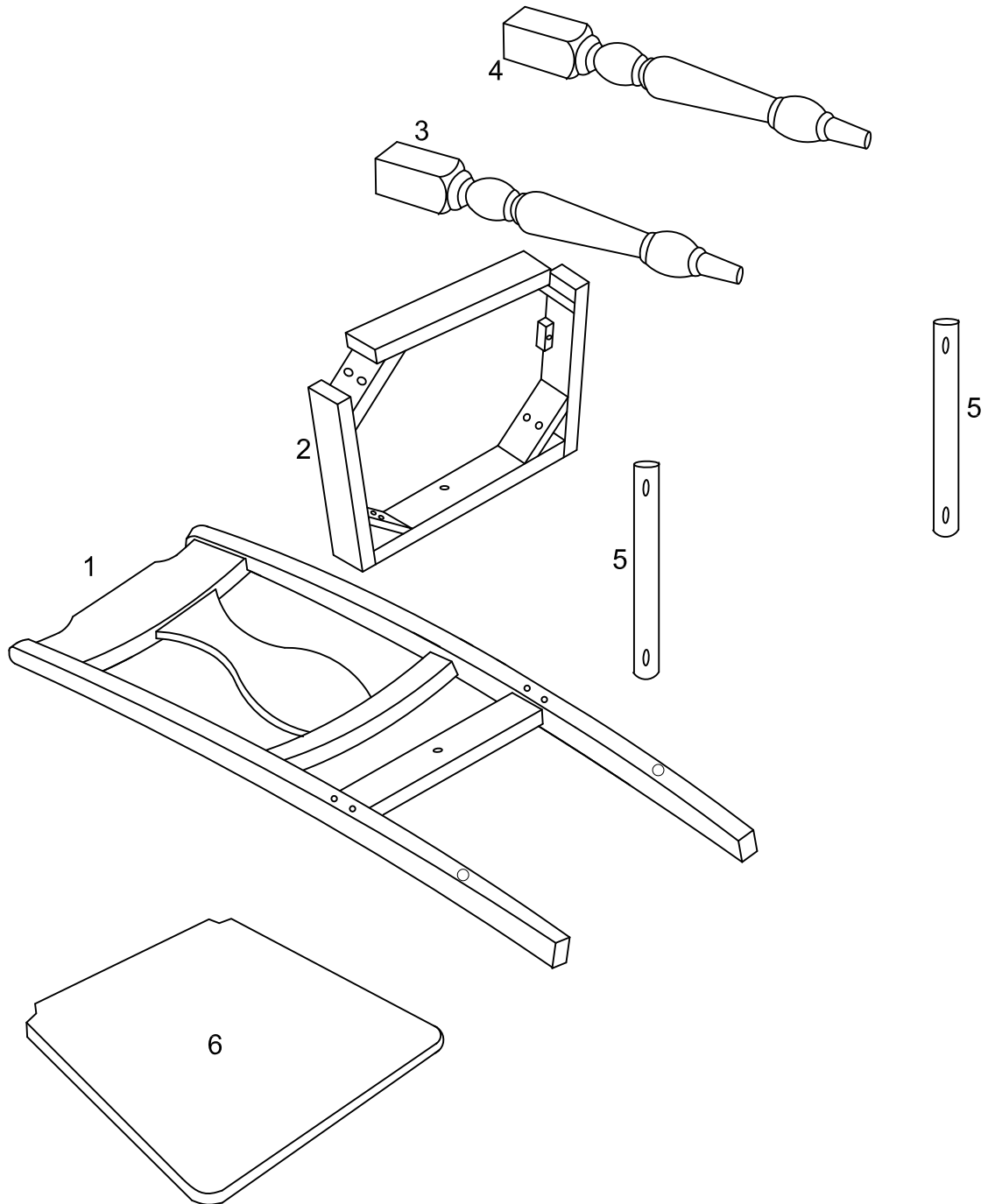
*To request missing, lost or broken parts , or for any other customer service issues,
please visit our website at www.walkeredison.com or call us at 877-207-5906.*

Revised 10/2016



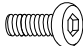


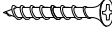
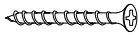

General Assembly Guidelines

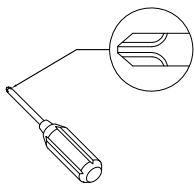
- I. Ensure that all parts and hardware are available before beginning assembly.
- II. Follow each step carefully to ensure the proper assembly of this product.
- III. Two people are recommended for ease in the assembly of this product.
- IV. The three main types of hardware used to assemble this product are : spring washers , washers , screws and bolts.

Parts List



Hardware List

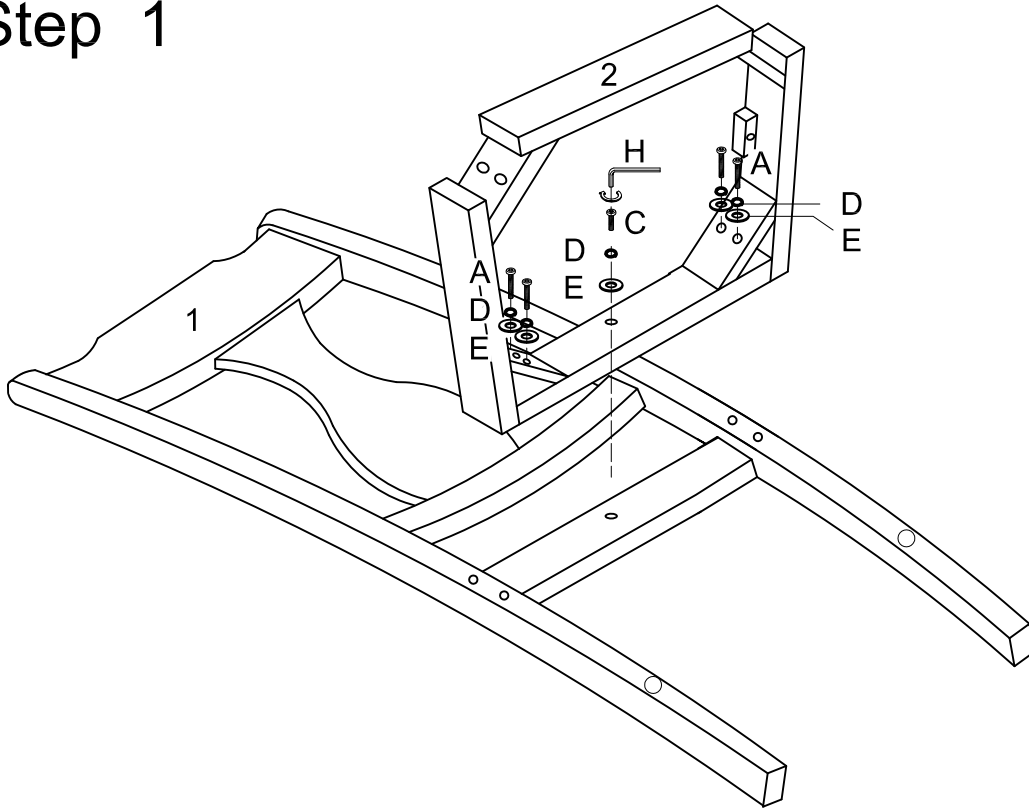
A		M6*80	Bolt	4 pcs
B		M8*60	Bolt	4 pcs
C		M6*35	Bolt	1 pc
D		Ø1 / 4 "	Spring washer	9 pcs
E		Ø1 / 4 "	Washer	9 pcs
F		M4*32	Screw	4 pcs
G		M4*38	Screw	4 pcs
H		M6*30	Wrench	1 pc



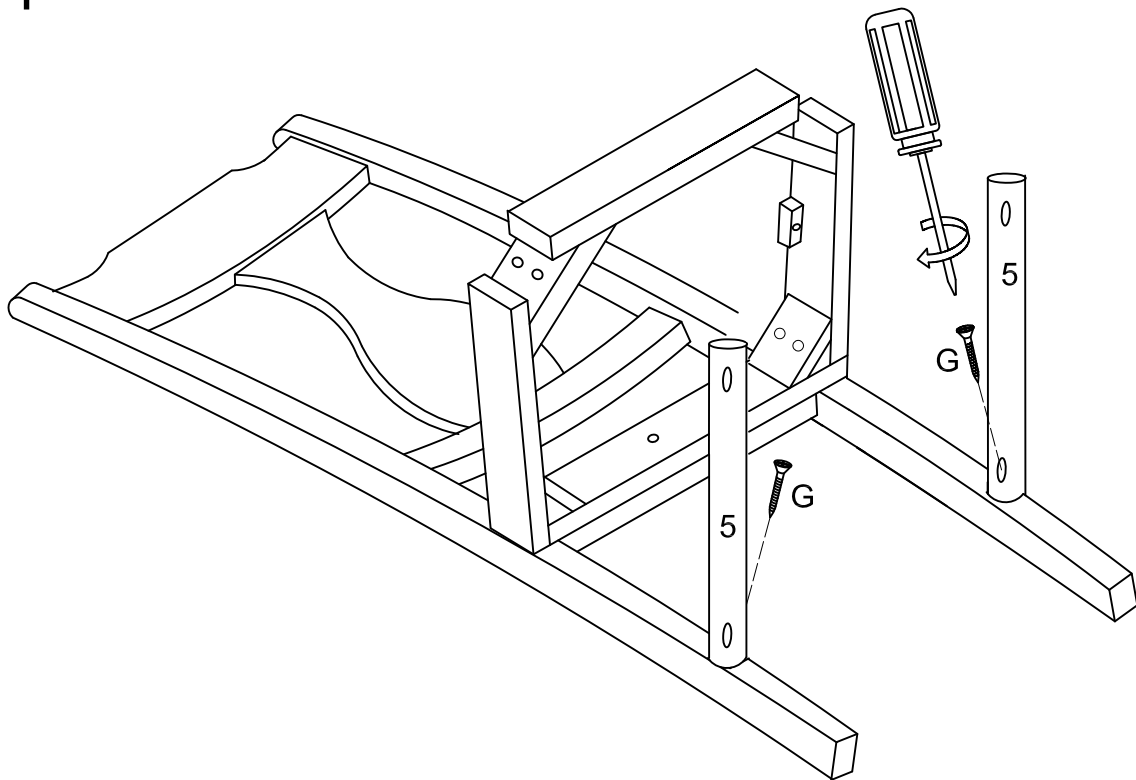
Philips head screwdriver required for assembly
(not included)

*The hardware quantities listed above are required for proper assembly.
Some extra hardware may also have been included.*

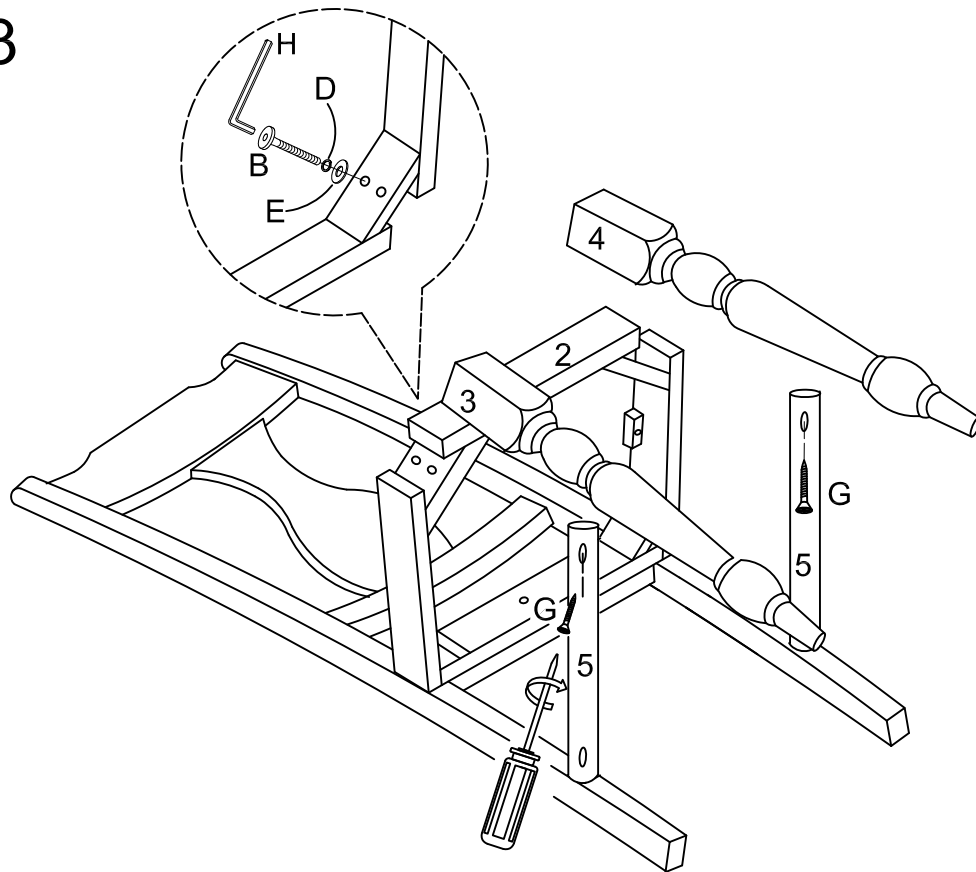
Step 1



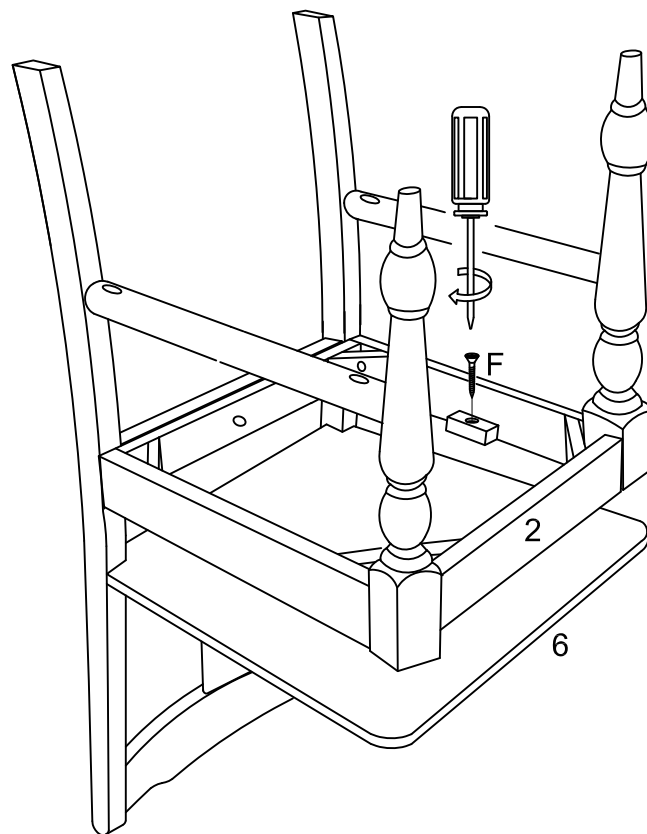
Step 2



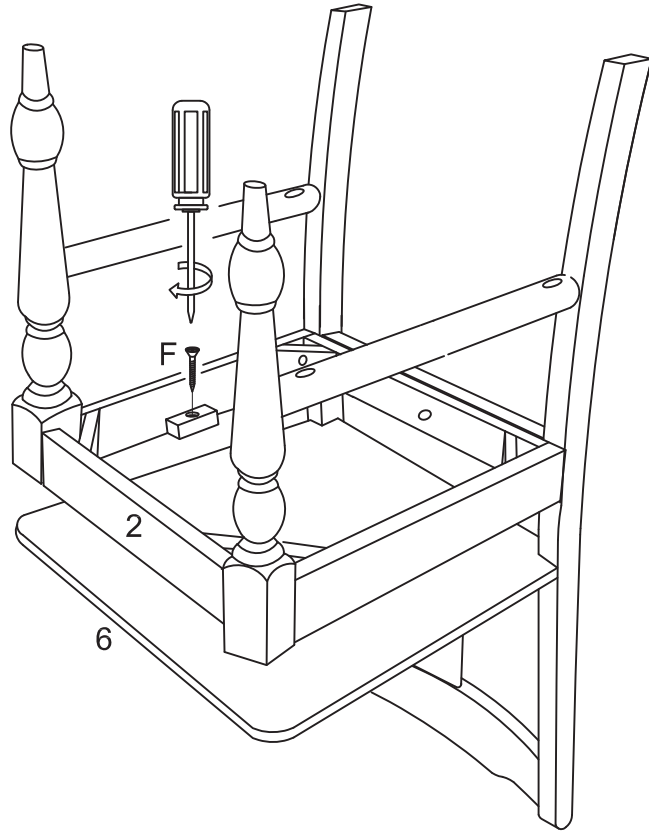
Step 3



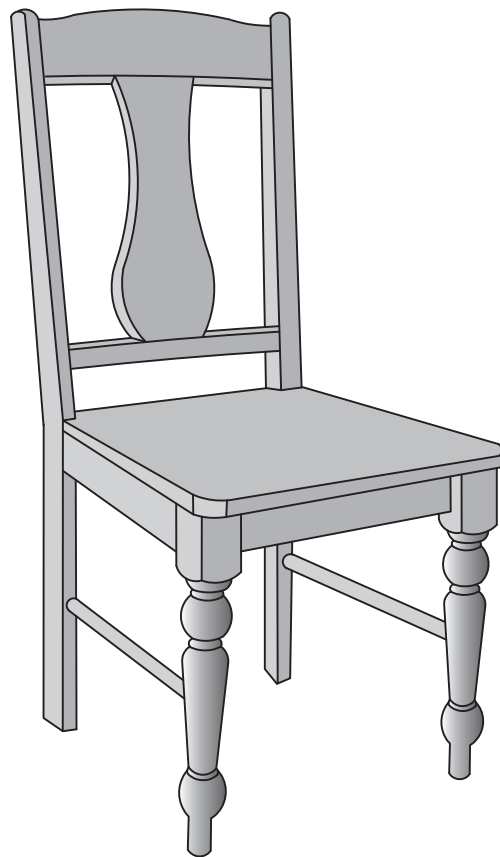
Step 4



Step 5



Step 6



Final Assembly