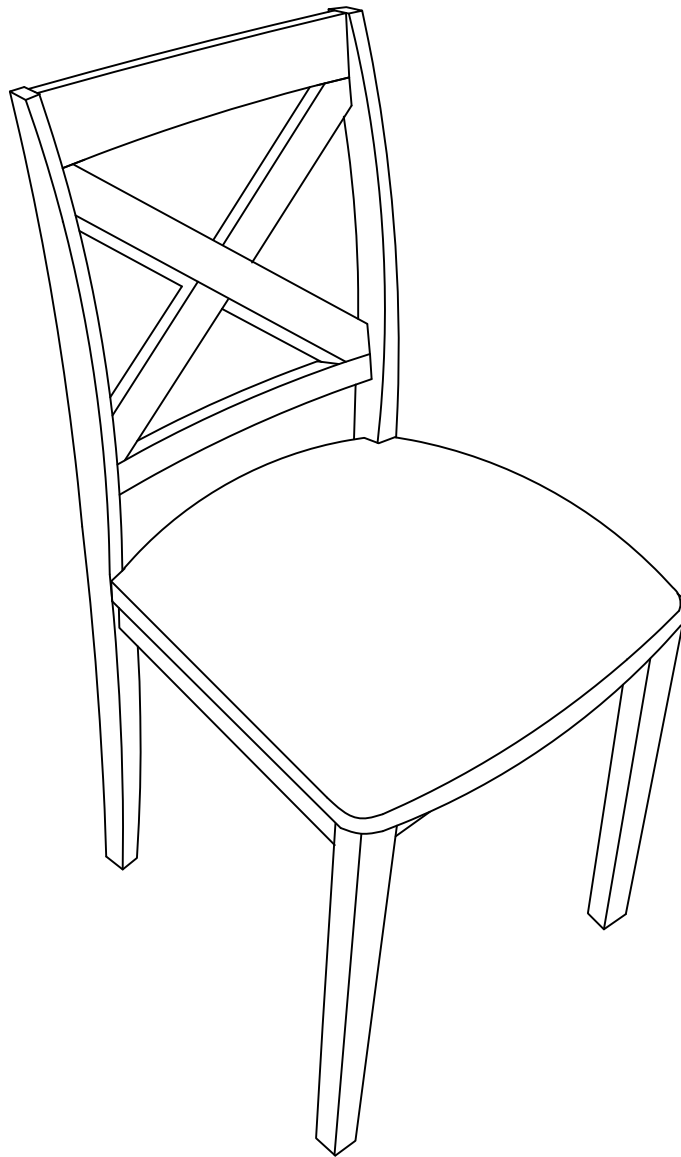


W Walker[®]
Edison
furniture company

Item # : CHW2TR
Assembly Instructions

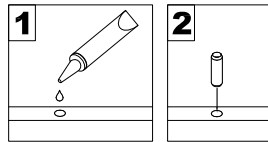


*To request missing, lost or broken parts , or for any other customer service issues,
please visit our website at www.walkeredison.com or call us at 877-207-5906.*

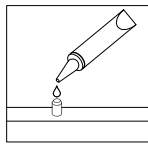
Revised 10/2016

General Assembly Guidelines

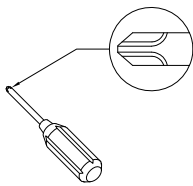
- I. Ensure that all parts and hardware are available before beginning assembly.
- II. Follow each step carefully to ensure the proper assembly of this product.
- III. Two people are recommended for ease in the assembly of this product.
- IV. The three main types of hardware used to assemble this product are : wood dowels , screws and bolts.
- V. The provided glue is to secure wood dowels in place . When first inserting dowels , locate the appropriate hole for the dowel , place a small amount of glue in the hole and insert the dowel . Wipe away excess glue immediately.



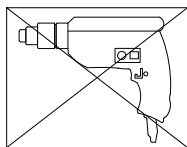
In future assembly steps when dowels are necessary to attach assembly parts together , place a small amount of glue on the end of the dowel before attaching parts together . Wipe away excess glue immediately.



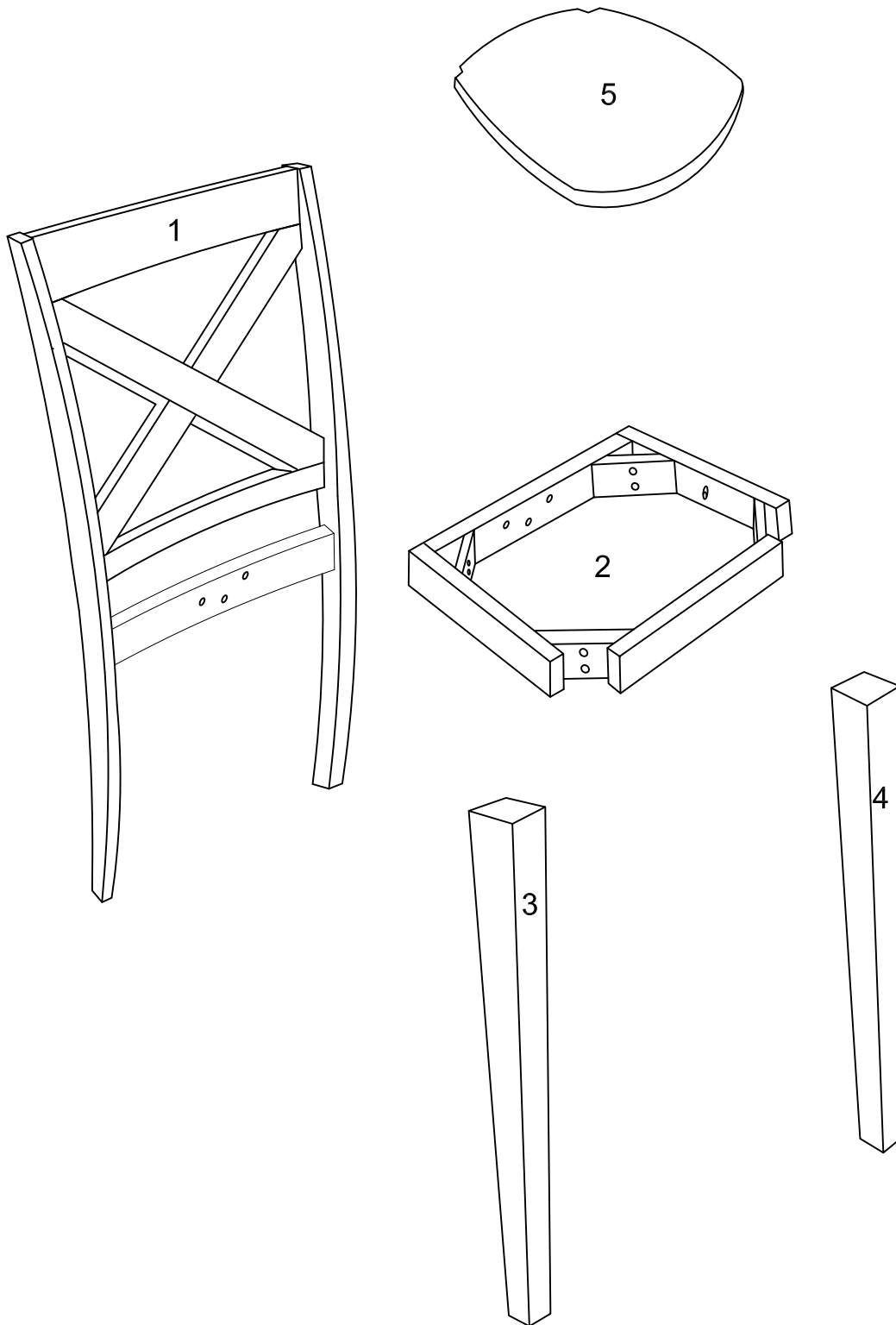
- VI. A Phillips head screwdriver is required for the assembly of this product .








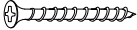

- VII. Power tools should not be used to assemble this product .



Parts List

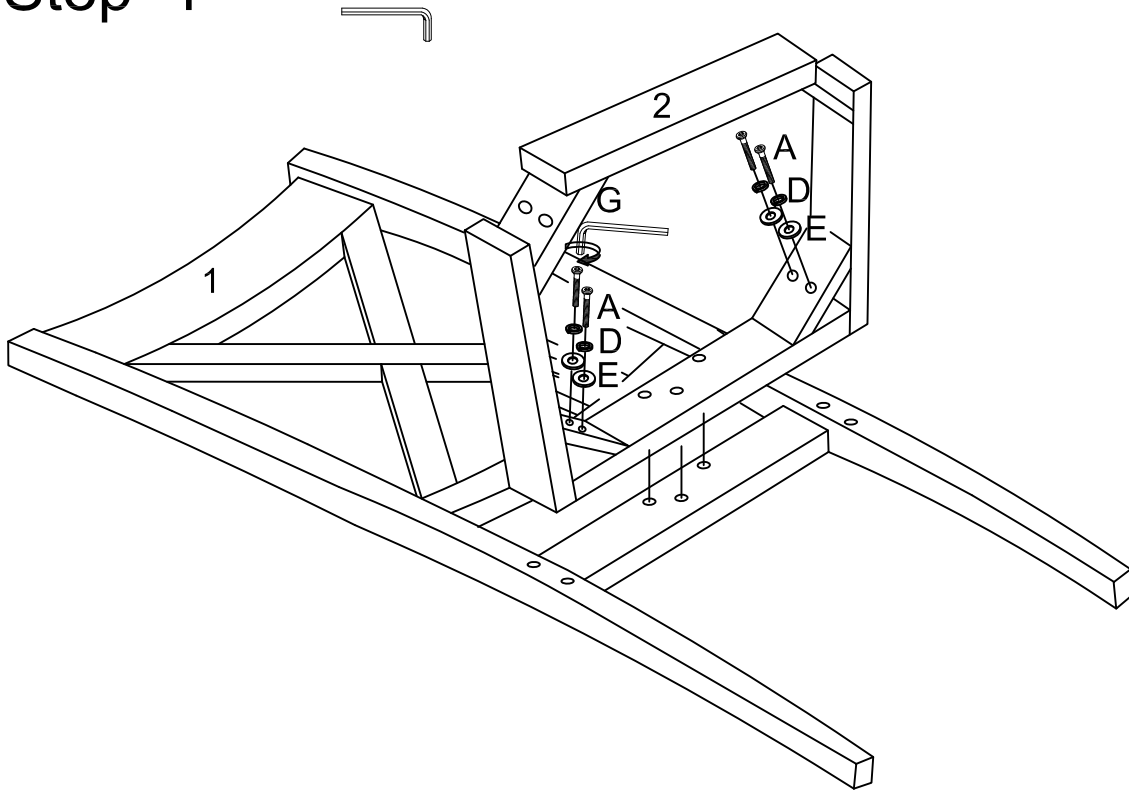


Hardware List

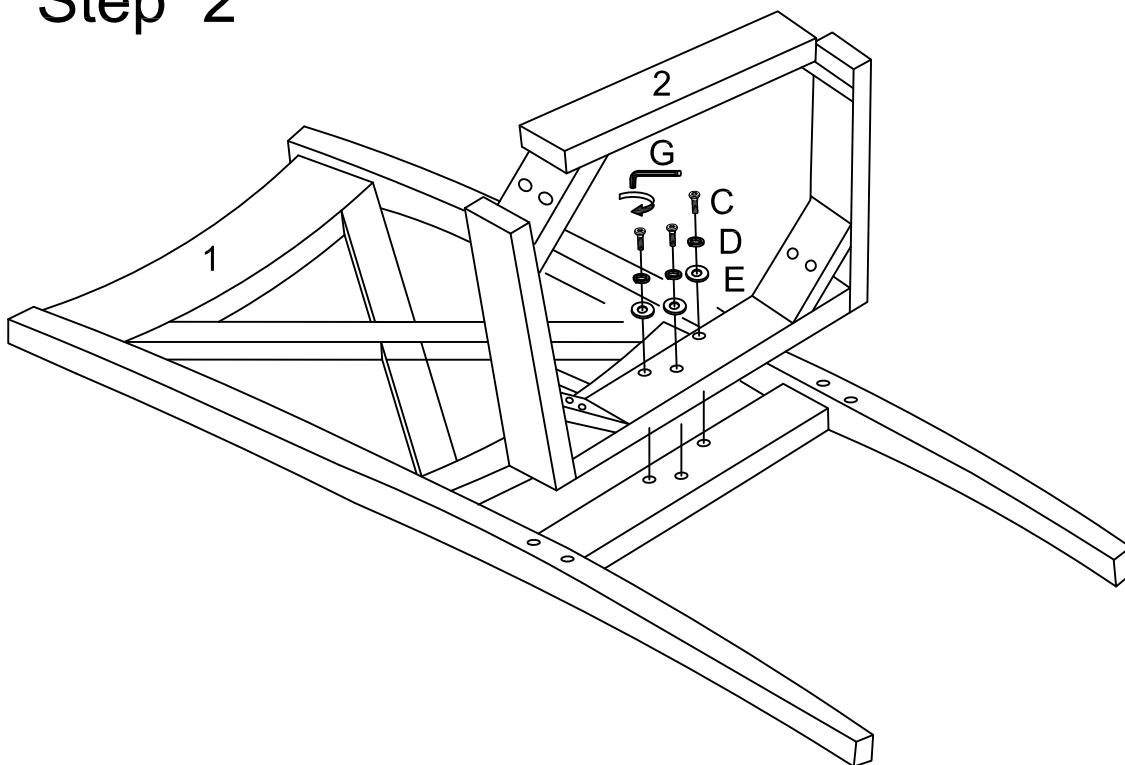
A		M6*80	Bolt	4 pcs
B		M6*60	Bolt	4 pcs
C		M6*35	Bolt	3 pcs
D		1/4"	Washer	11 pcs
E		1/4"	Spring washer	11 pcs
F		M4*38	Screw	6 pcs
G		M4	Wrench	1 pcs

*The hardware quantities listed above are required for proper assembly.
Some extra hardware may also have been included.*

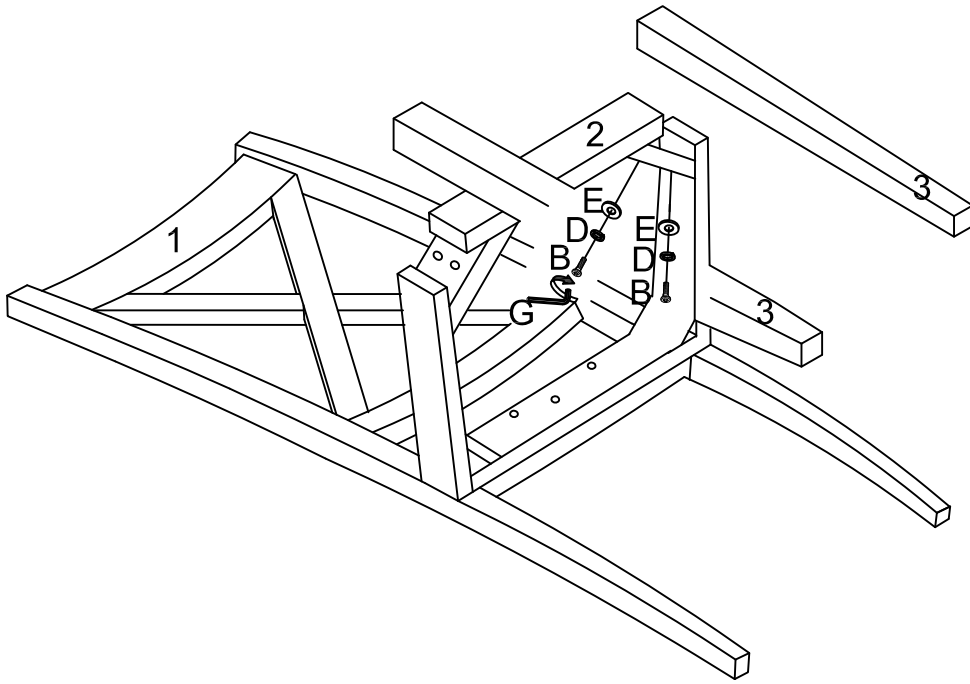
Step 1



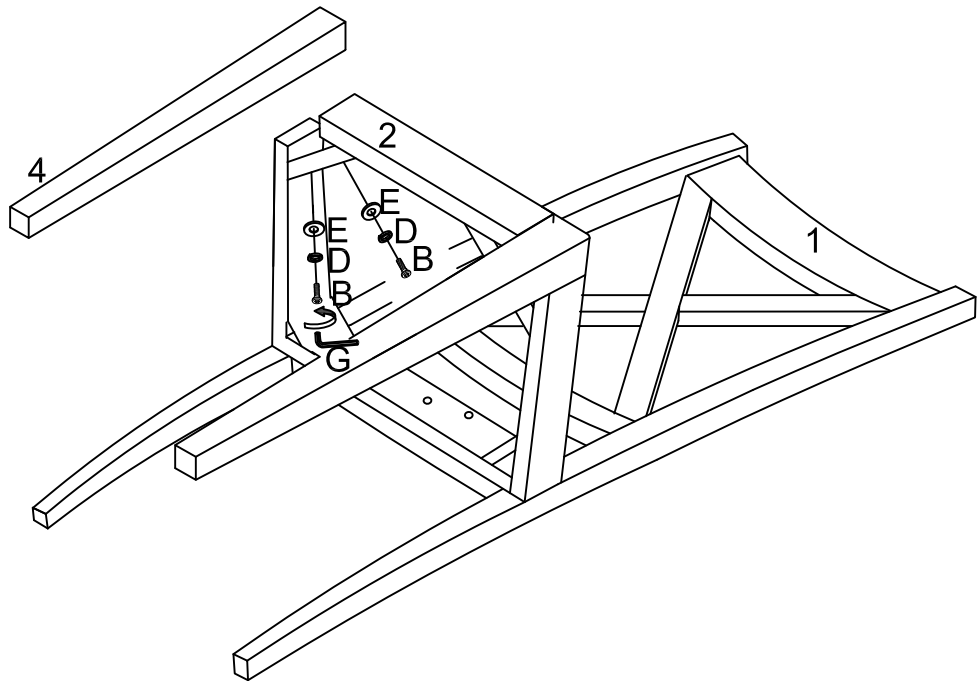
Step 2



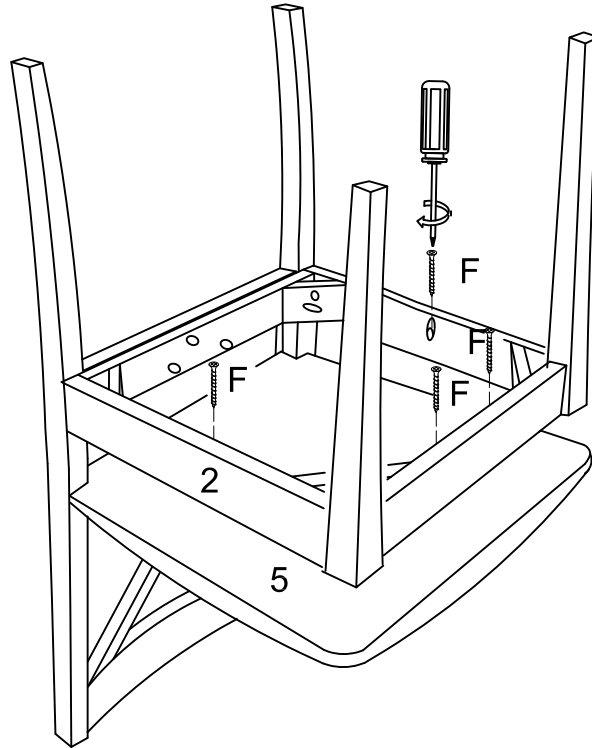
Step 3



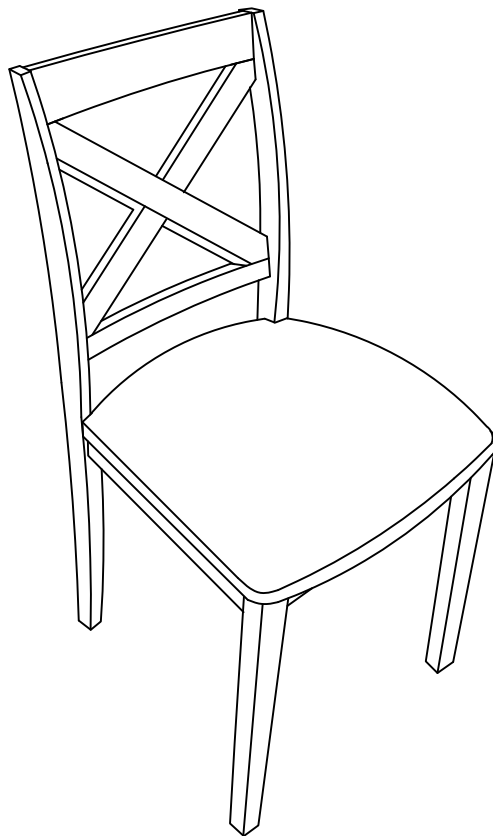
Step 4



Step 5



Step 6



Final Assembly