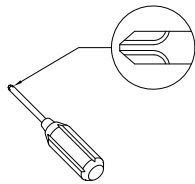


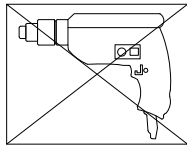


# General Assembly Guidelines

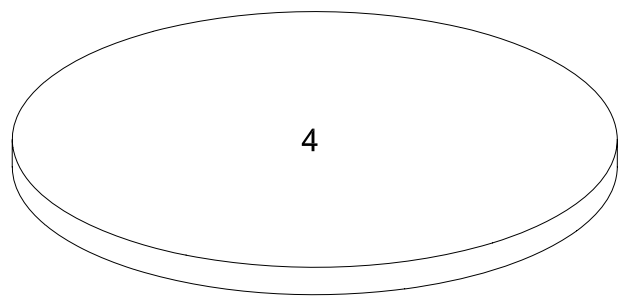
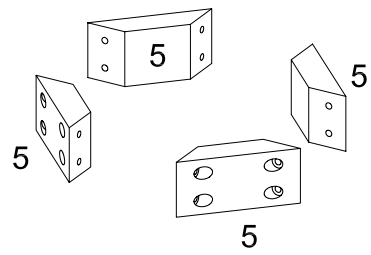
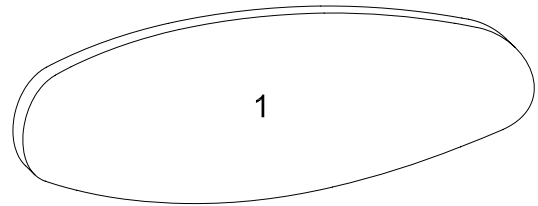
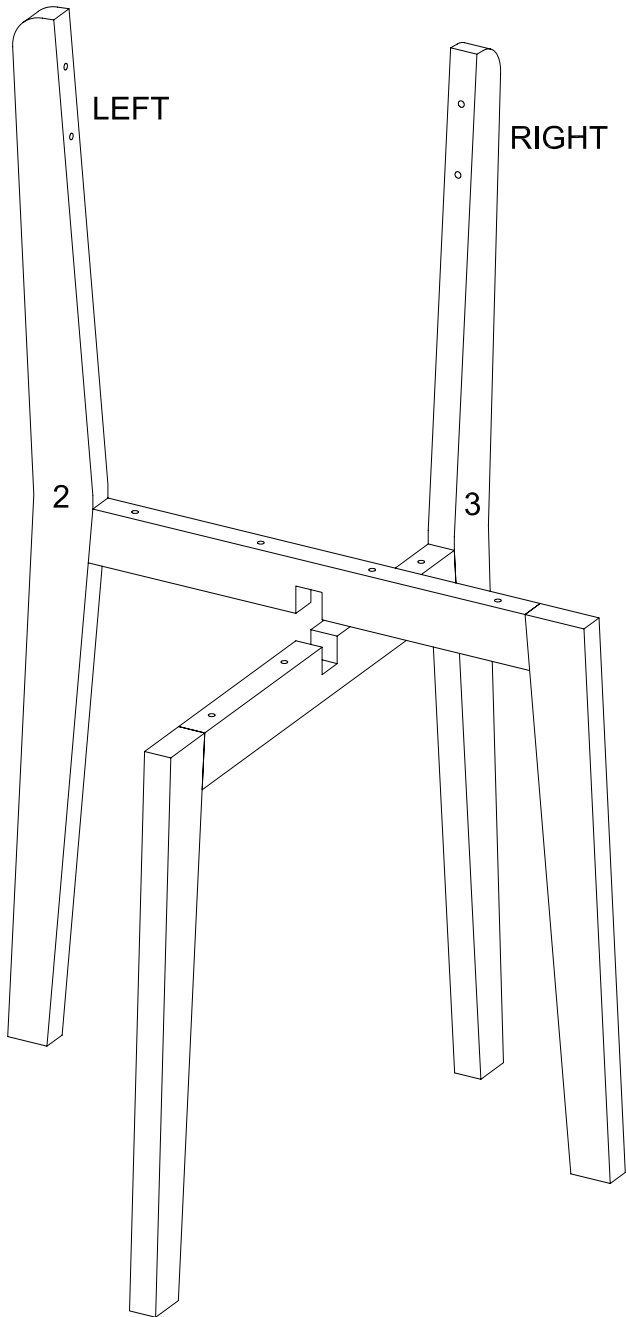
- I. Ensure that all parts and hardware are available before beginning assembly.
- II. Follow each step carefully to ensure the proper assembly of this product.
- III. Two people are recommended for ease in the assembly of this product.
- IV. The three main types of hardware used to assemble this product are : wood buttons , screws and bolts.
- V. A Phillips head screwdriver is required for the assembly of this product .




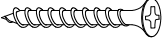

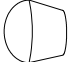
- VI. Power tools should not be used to assemble this product .

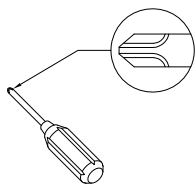


# Parts List



# Hardware List

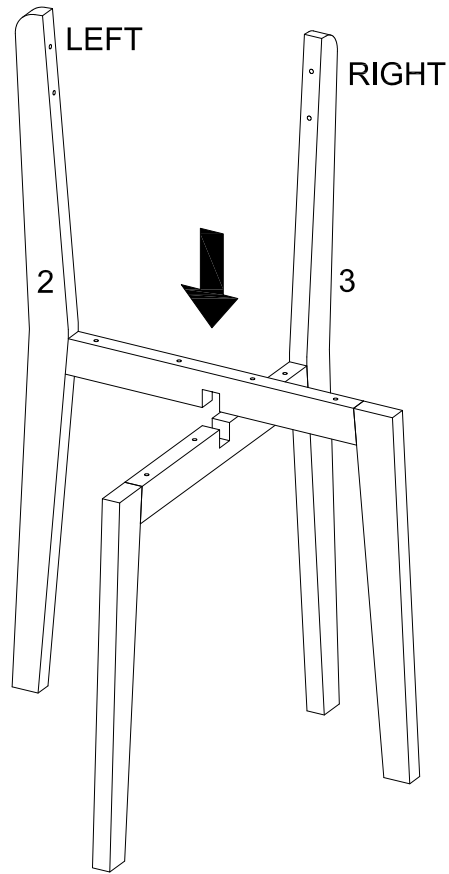
A		M6*25	Bolt	4 pcs
B		M4*32	Screw	24 pcs
C		M4	Wrench	1 pc
D		Ø14.5	Wood button	4 pcs



Philips head screwdriver required for assembly  
(not included)

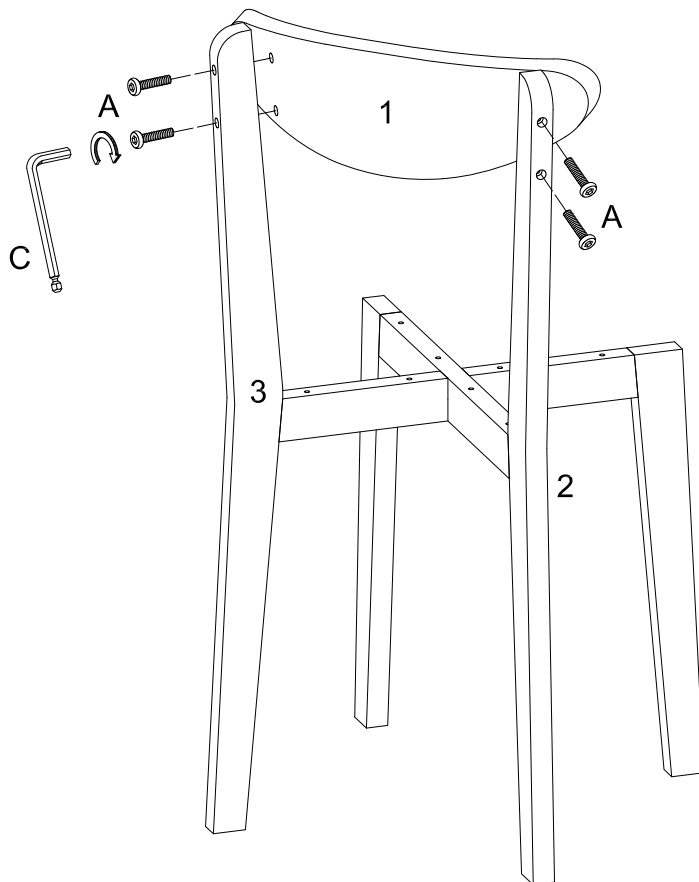
*The hardware quantities listed above are required for proper assembly.  
Some extra hardware may also have been included.*

# Step 1



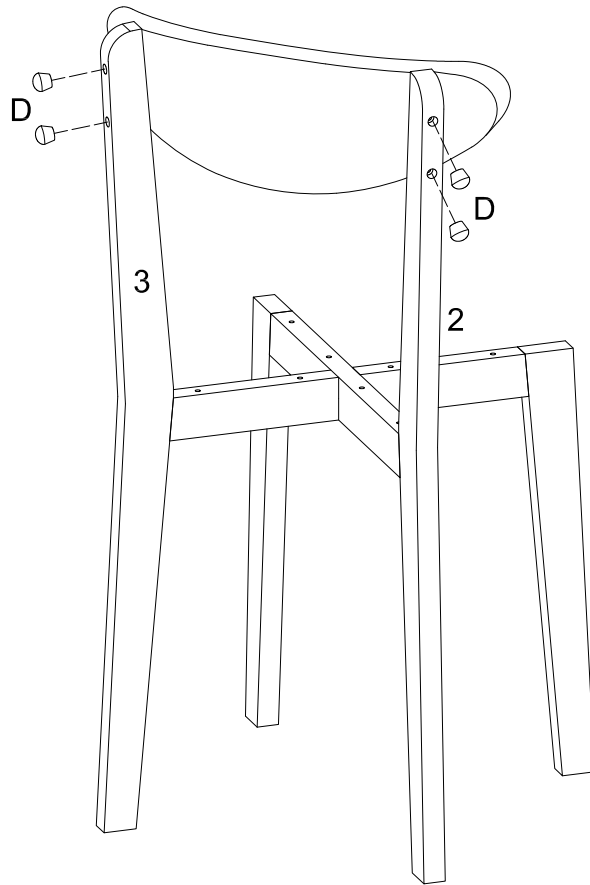
Assemble the legs (2) and (3) as shown.

# Step 2



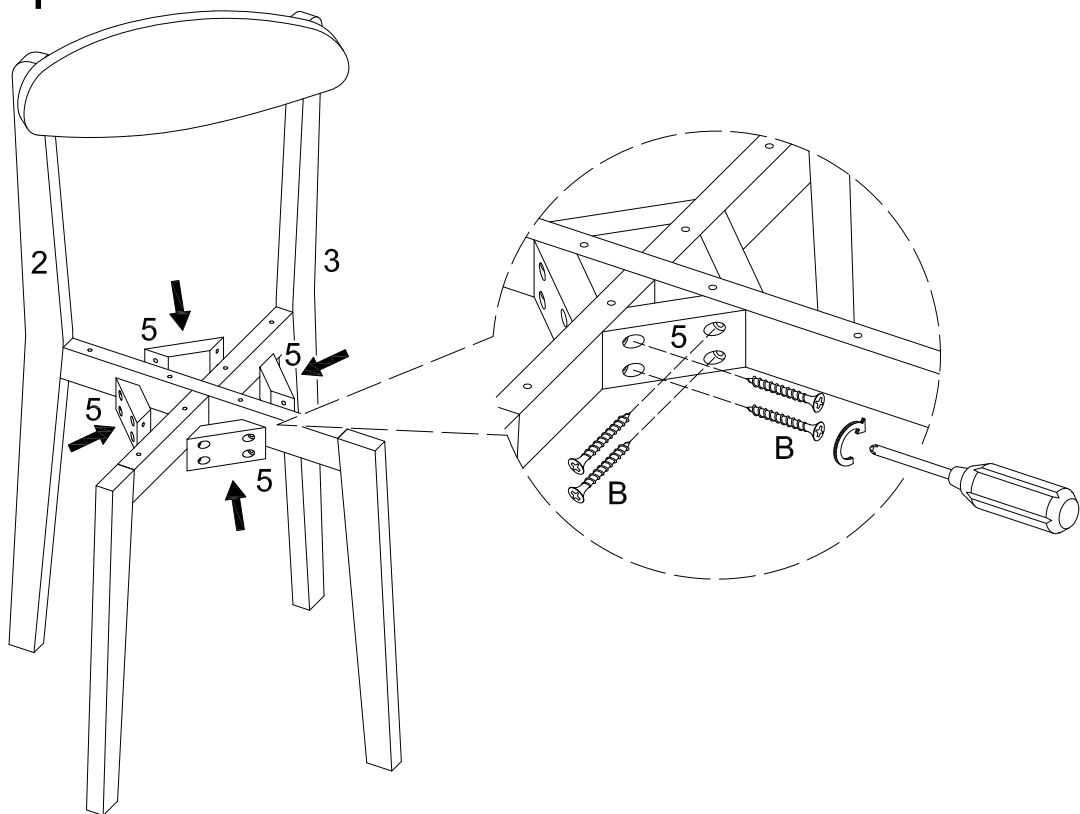
Attach the back rest (1) to the legs (2)(3) and secure it with bolt (A) and wrench (C).

# Step 3



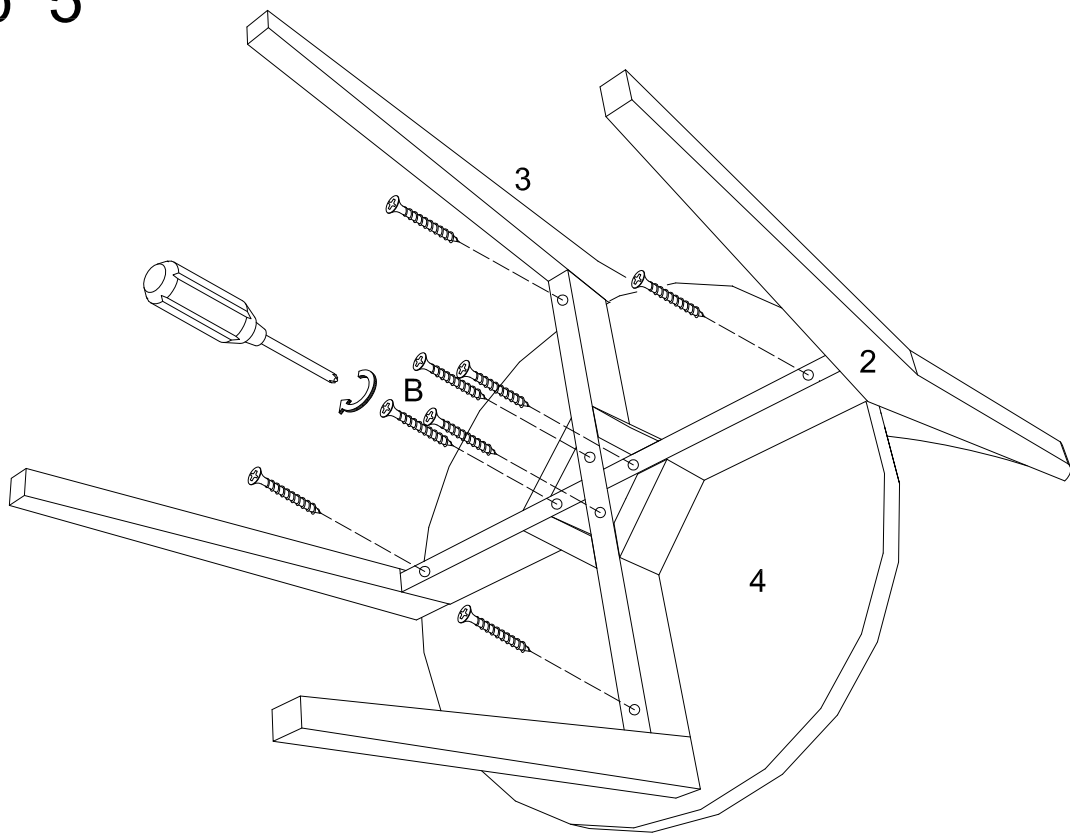
Use the wood cover (D) to cover the bolts.

# Step 4



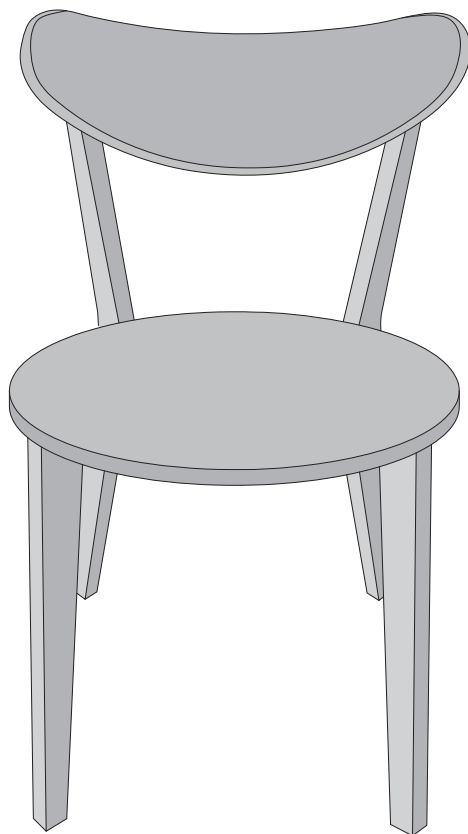
Use screw (B) to secure the wooden joint (5) as shown.

## Step 5



Use the bolt (B) to secure the seating panel (4) and legs (2)(3) as shown.

## Step 6



### Final Assembly