

W Walker[®]
Edison
furniture company

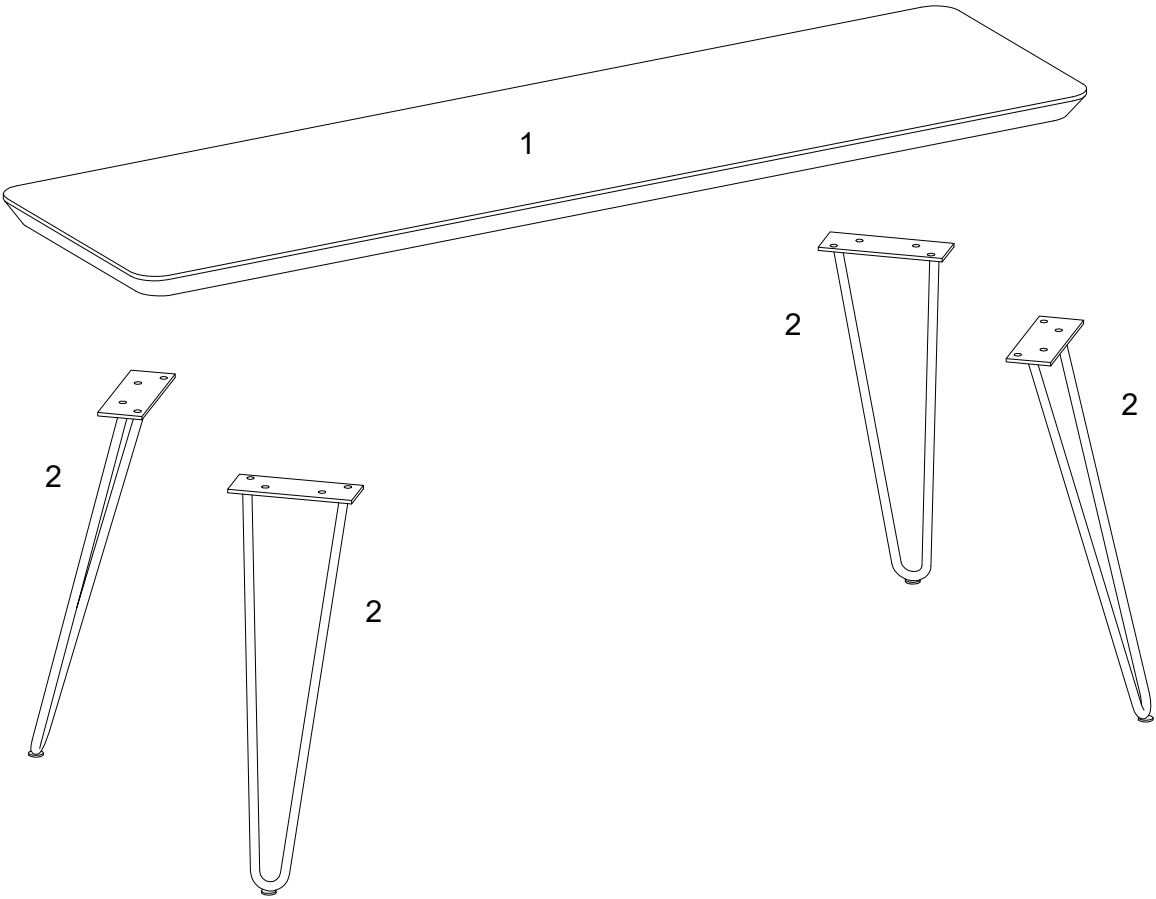
Item # : DB56HPDWT
Assembly Instructions




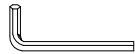
Please visit our website for the most current instructions, assembly tips, report damage, or request parts. www.walker-edison.com

Revised 06/2017

Parts List

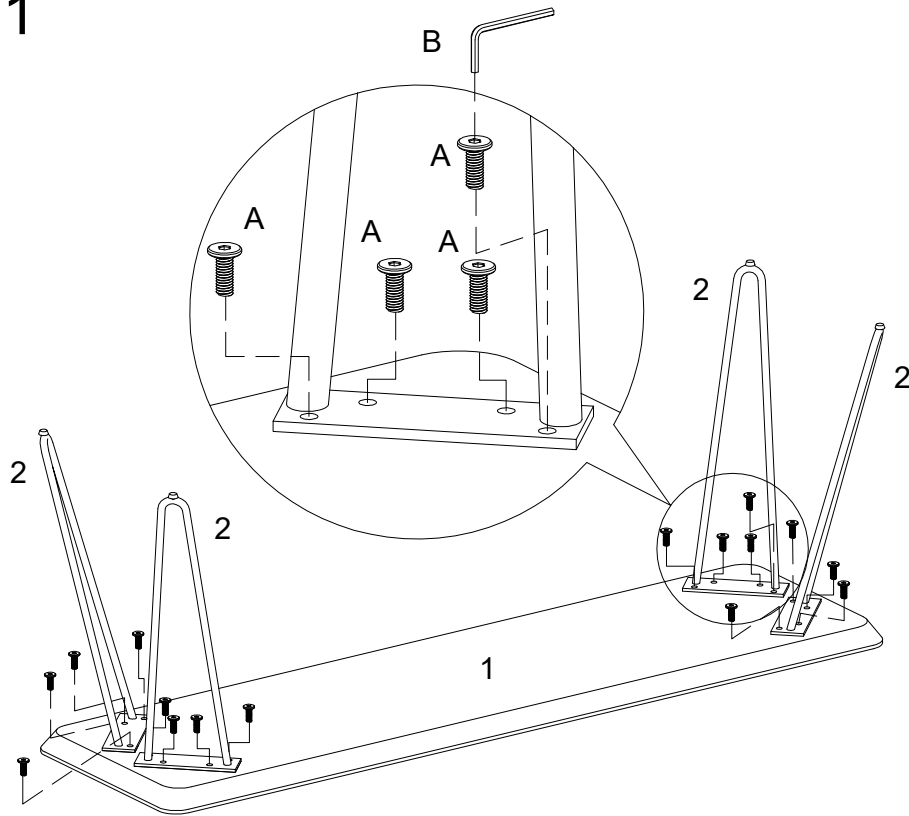


Hardware List

A		Ø6x20mm	Bolt	16 pcs
B		M 4	Wrench	1 pcs

*The hardware quantities listed above are required for proper assembly.
Some extra hardware may also have been included.*

Step 1



Use wrench (B), bolt (A) to secure the metal leg (2) to the table top (1).

Step 2



Final Assembly