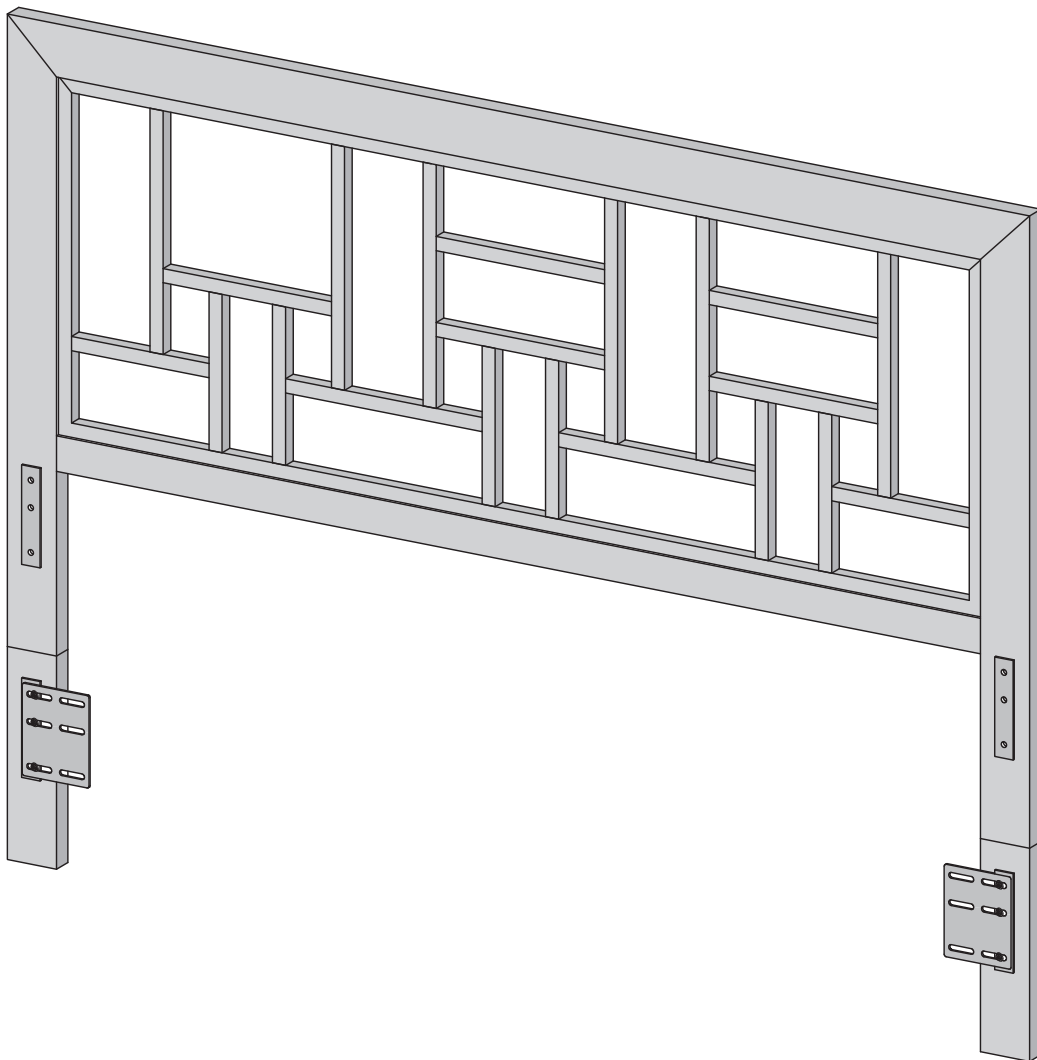


W Walker[®]
Edison
furniture company

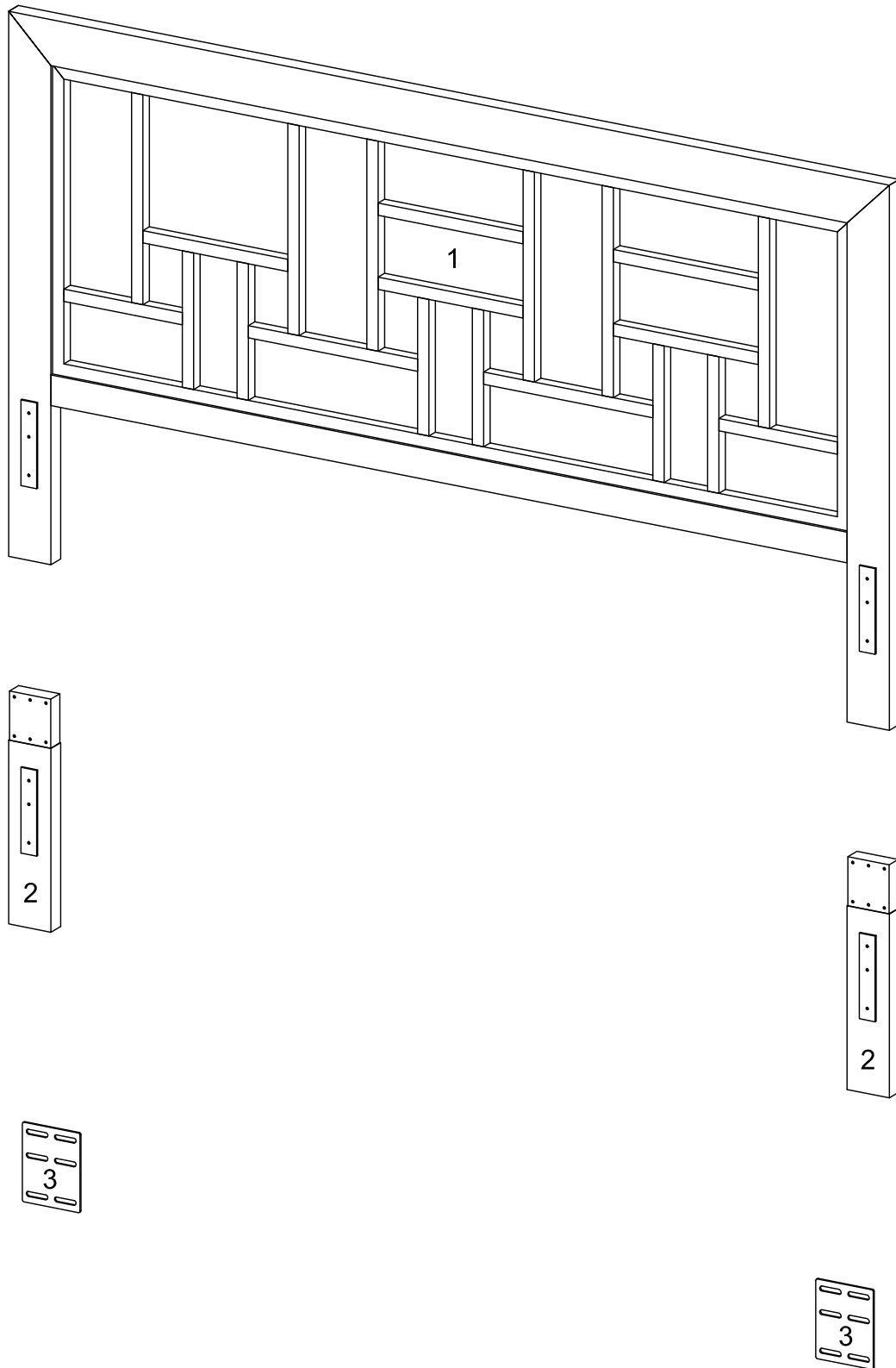
Item # : HBQSM
Assembly Instructions










*To request missing, lost or broken parts , or for any other customer service issues,
please visit our website at www.walkeredison.com or call us at 877-207-5906.*

Revised 11/2016

Parts List



Hardware List

A		Ø1/4"*7/8"	Bolt	8 pcs
B		Ø16*Ø7*1	Washer	12 pcs
C		Ø25*Ø7*4	Washer	8 pcs
D		M4*4*60L	Wrench	1 pc
E		M11.3	Wrench	1 pc
F		Ø1/4"*8	Nut	4 pcs
G			Feet	2 pcs

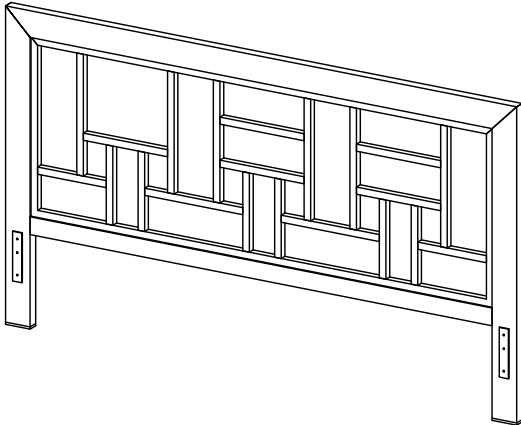
*The hardware quantities listed above are required for proper assembly.
Some extra hardware may also have been included.*

FOUR ASSEMBLY OPTIONS

Option A

(60" Low bed)

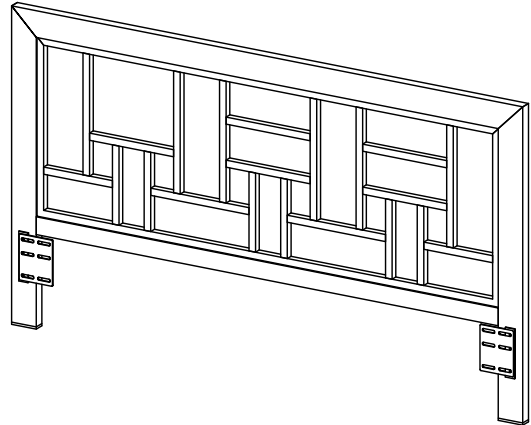
To build this option follow steps 1,
then follow step 2A-3A .



Option B

(54" Low bed)

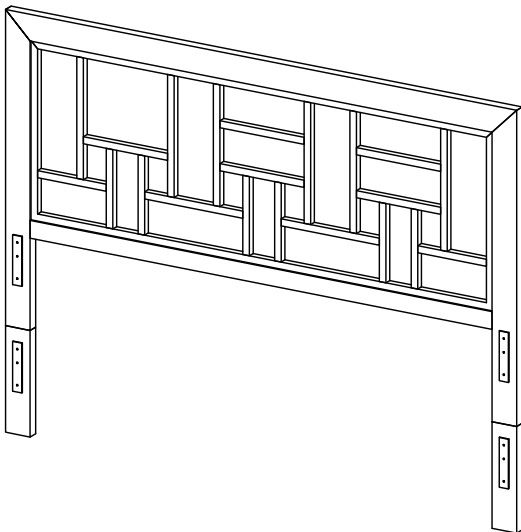
To build this option follow steps 1,
then follow step 2B-4B .



Option C

(60" Tall bed)

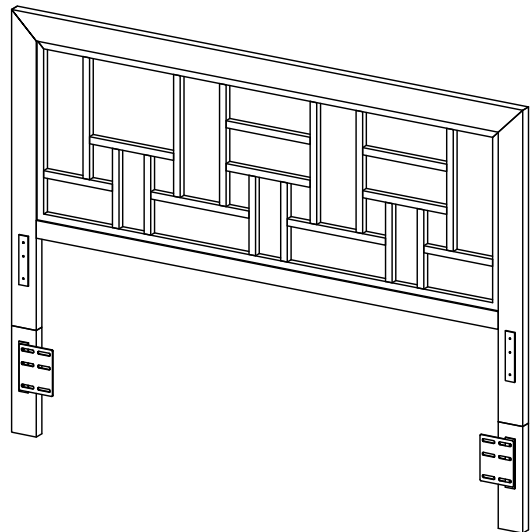
To build this option follow steps 5,
then follow step 6C-7C .



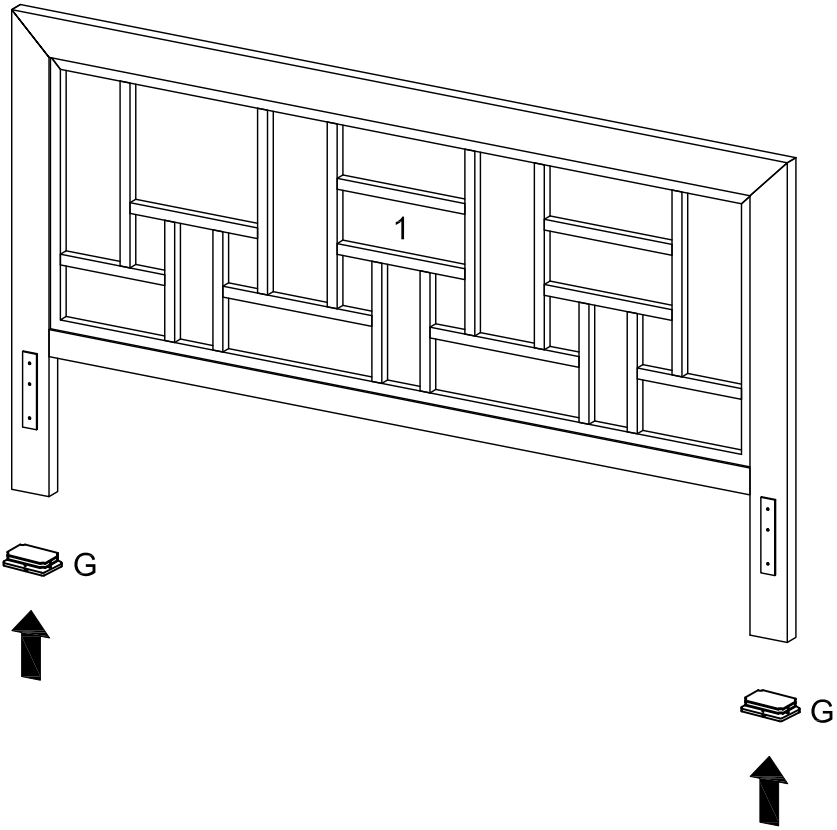
Option D

(54" Tall bed)

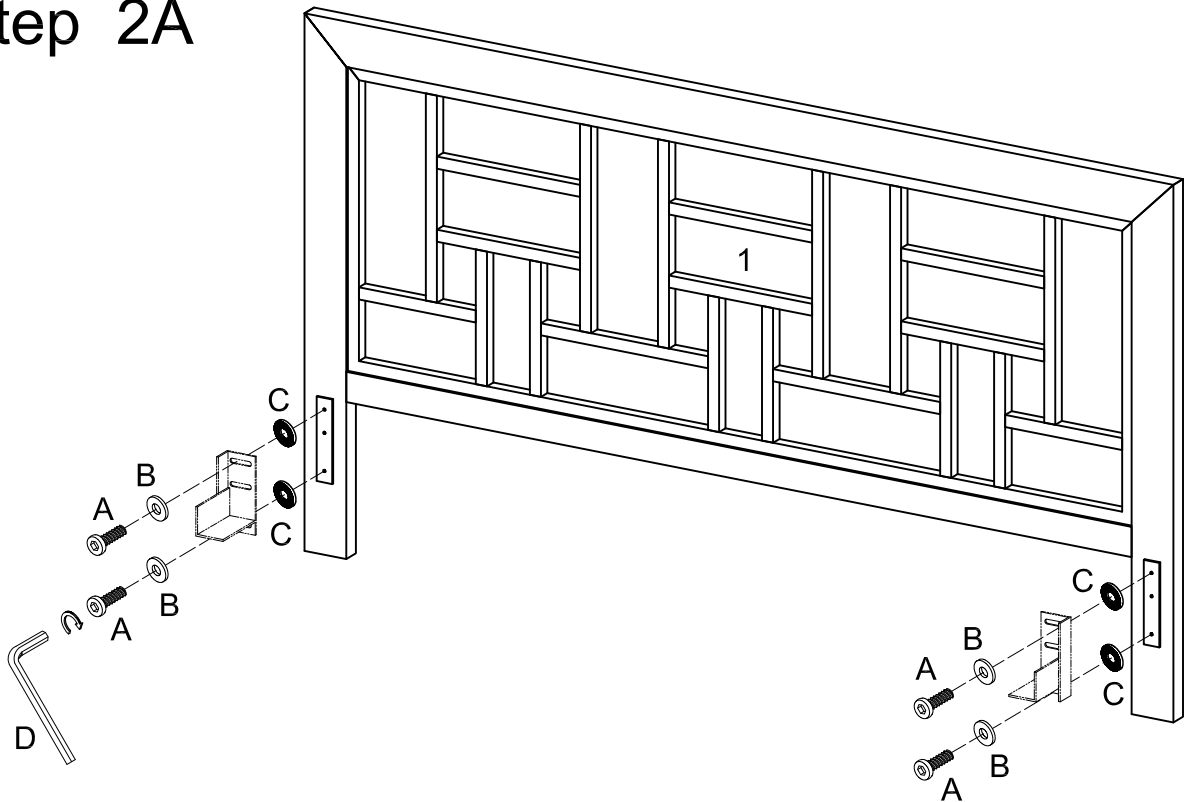
To build this option follow steps 5,
then follow step 6D-8D .



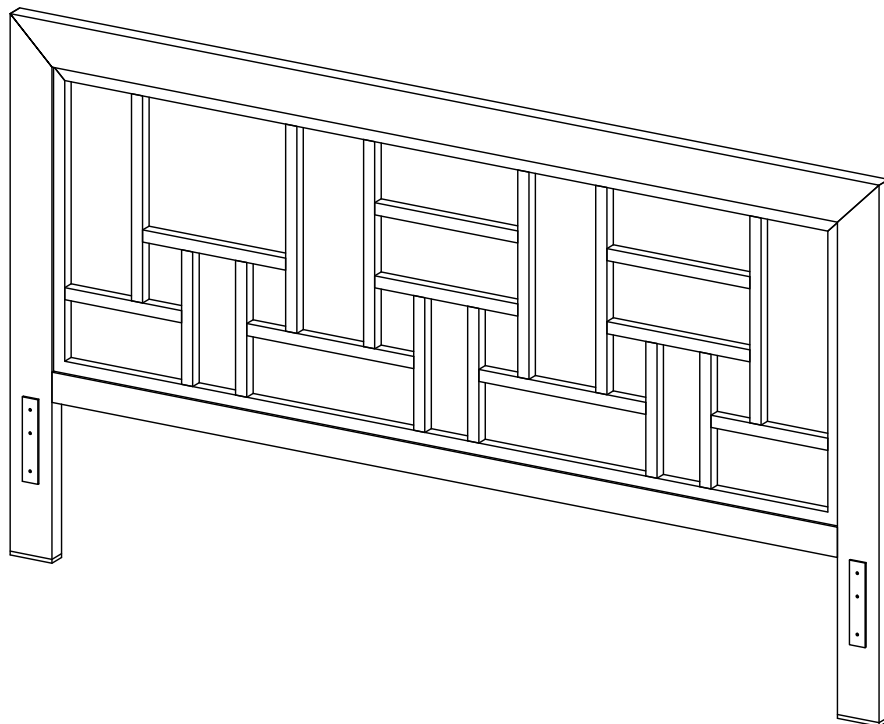
Step 1



Step 2A

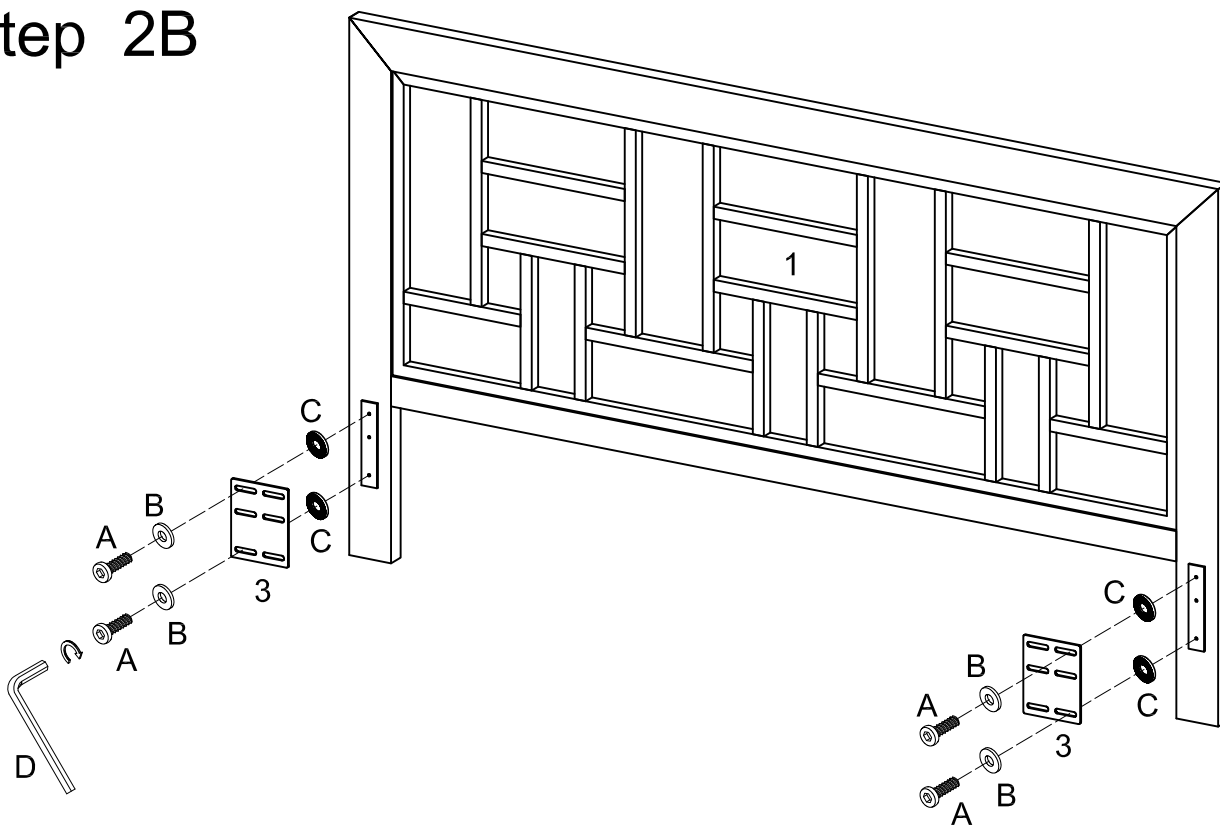


Step 3A

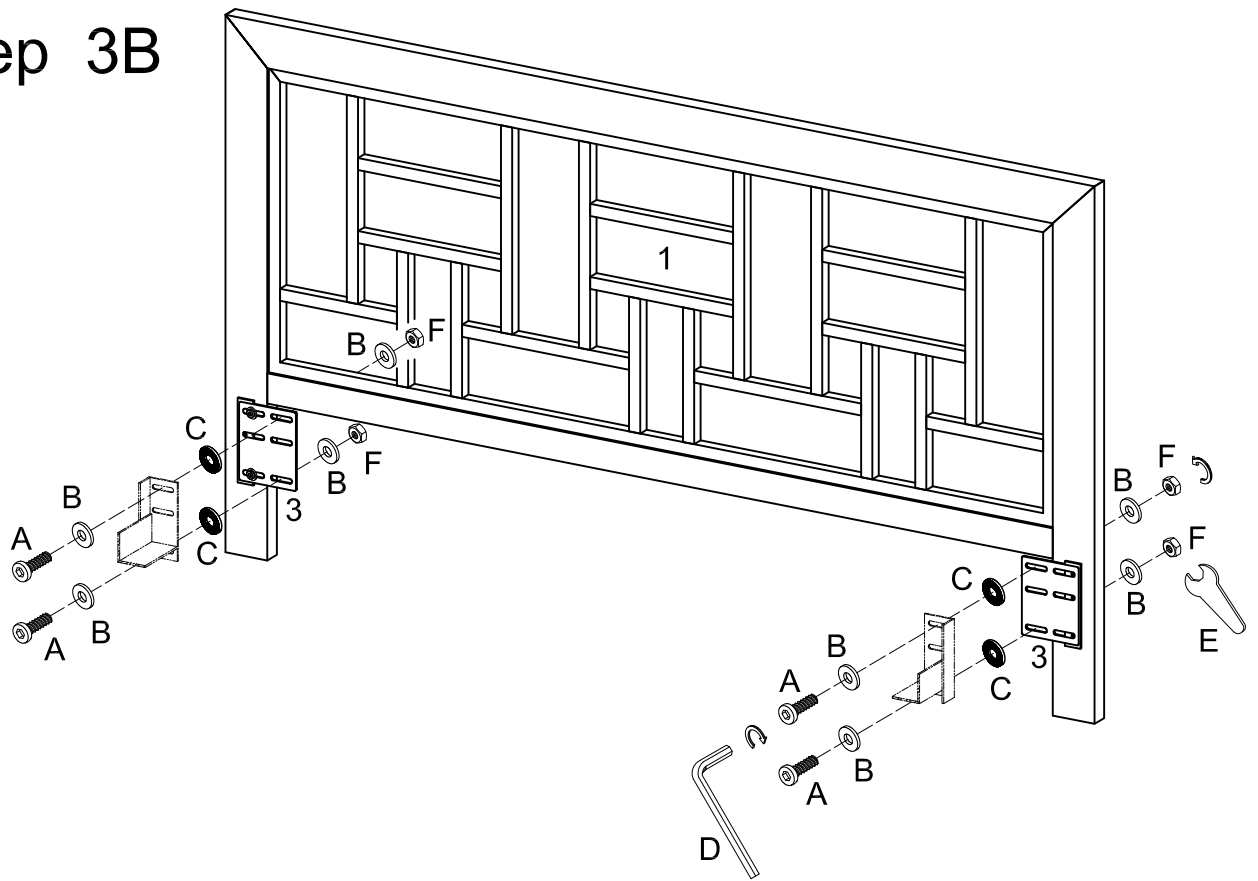


OPTION A Final

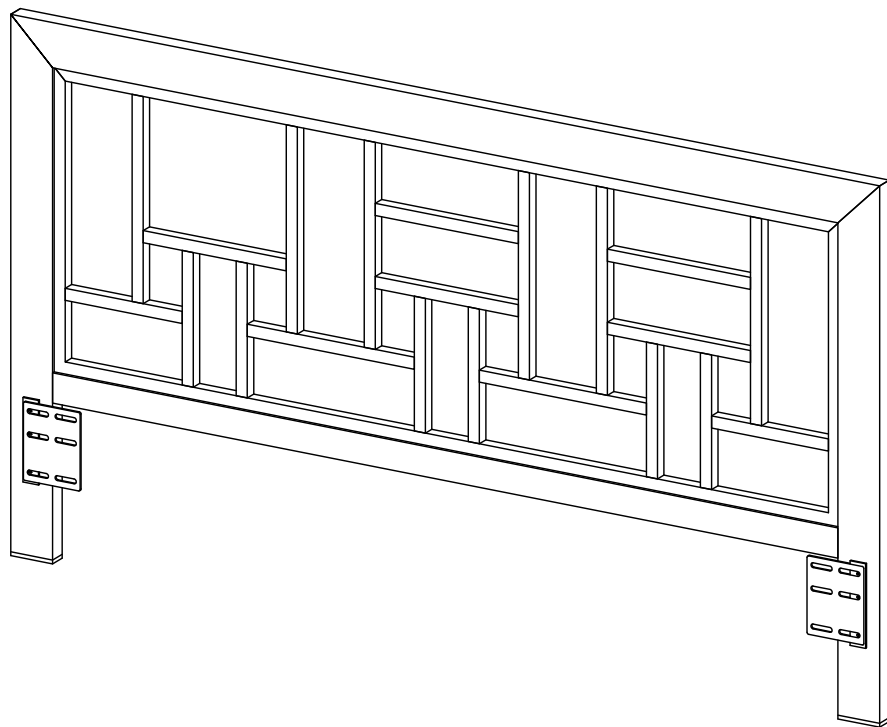
Step 2B



Step 3B

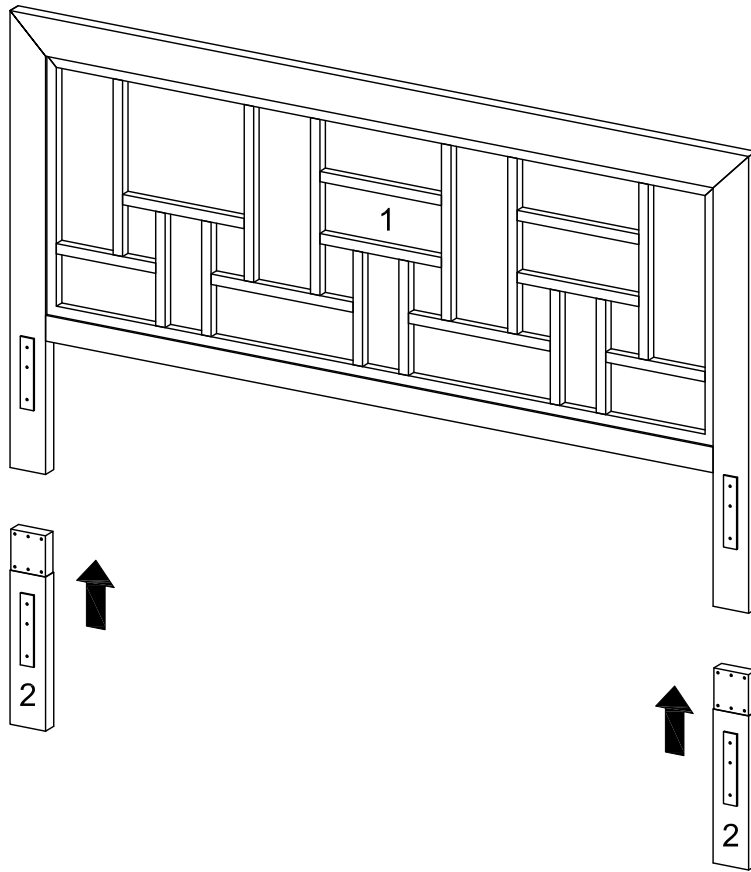


Step 4B

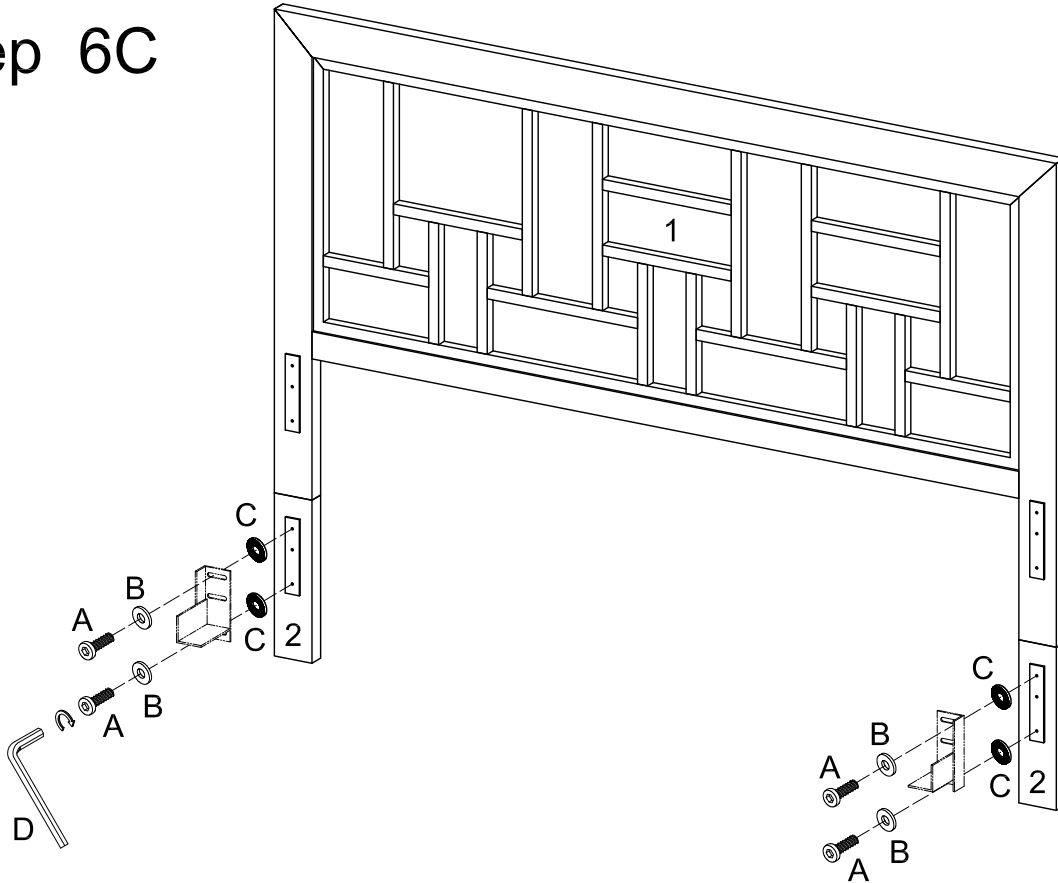


OPTION B Final

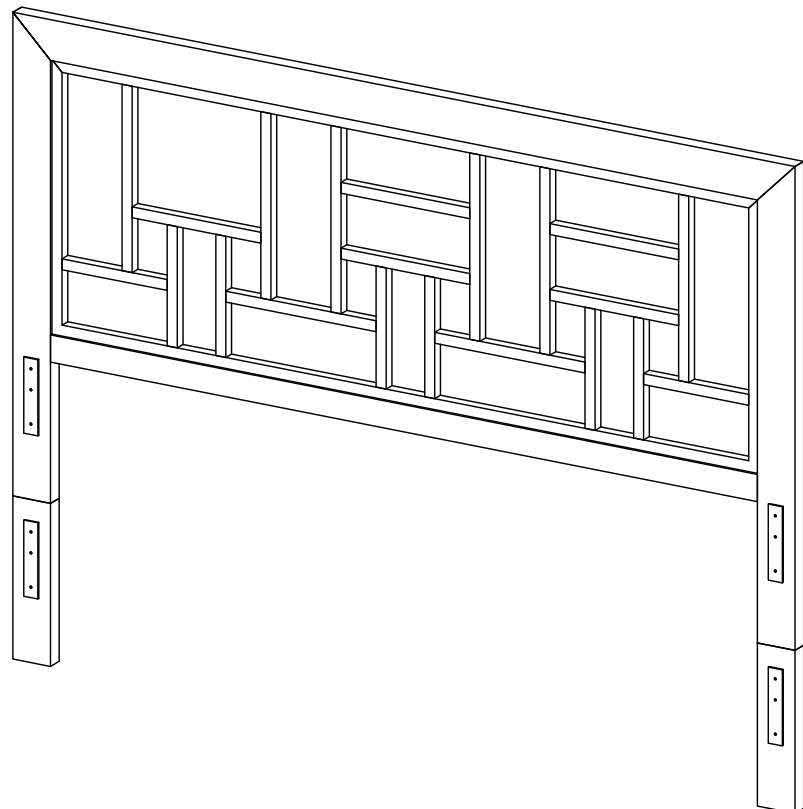
Step 5



Step 6C

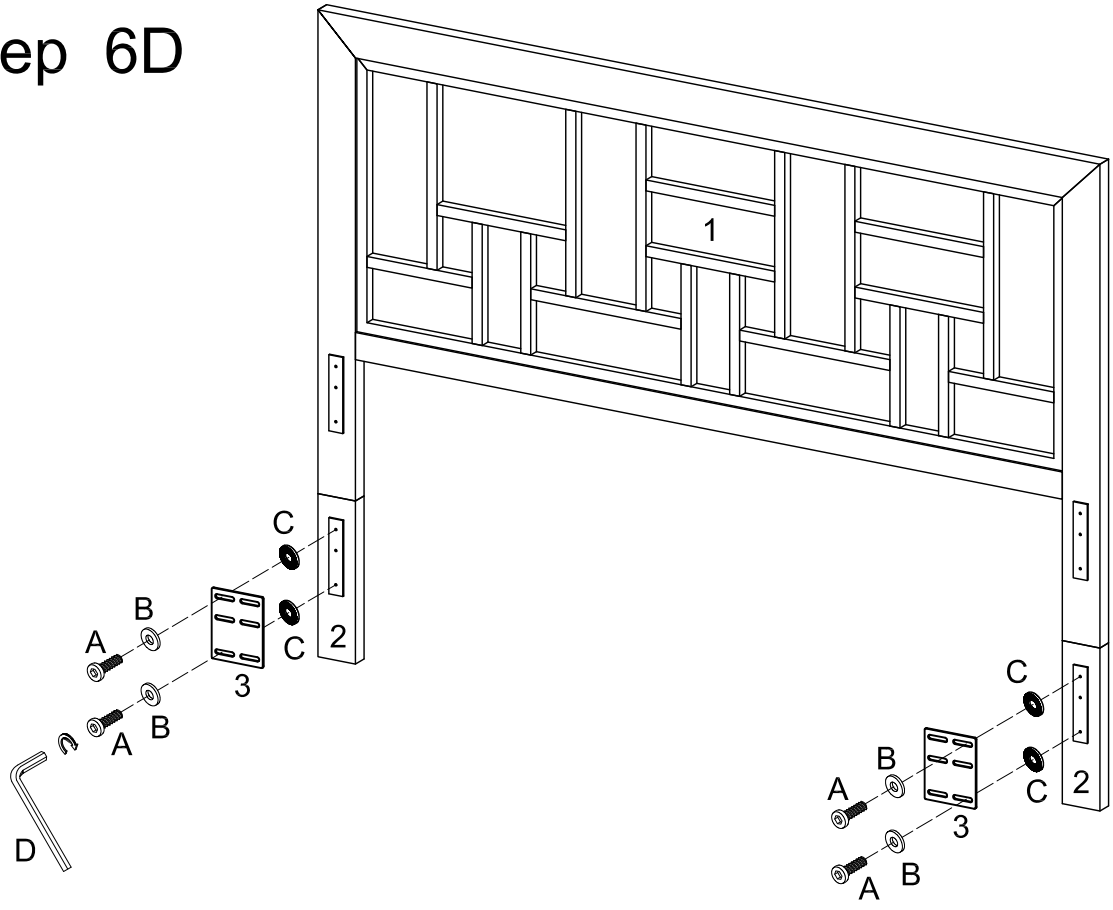


Step 7C

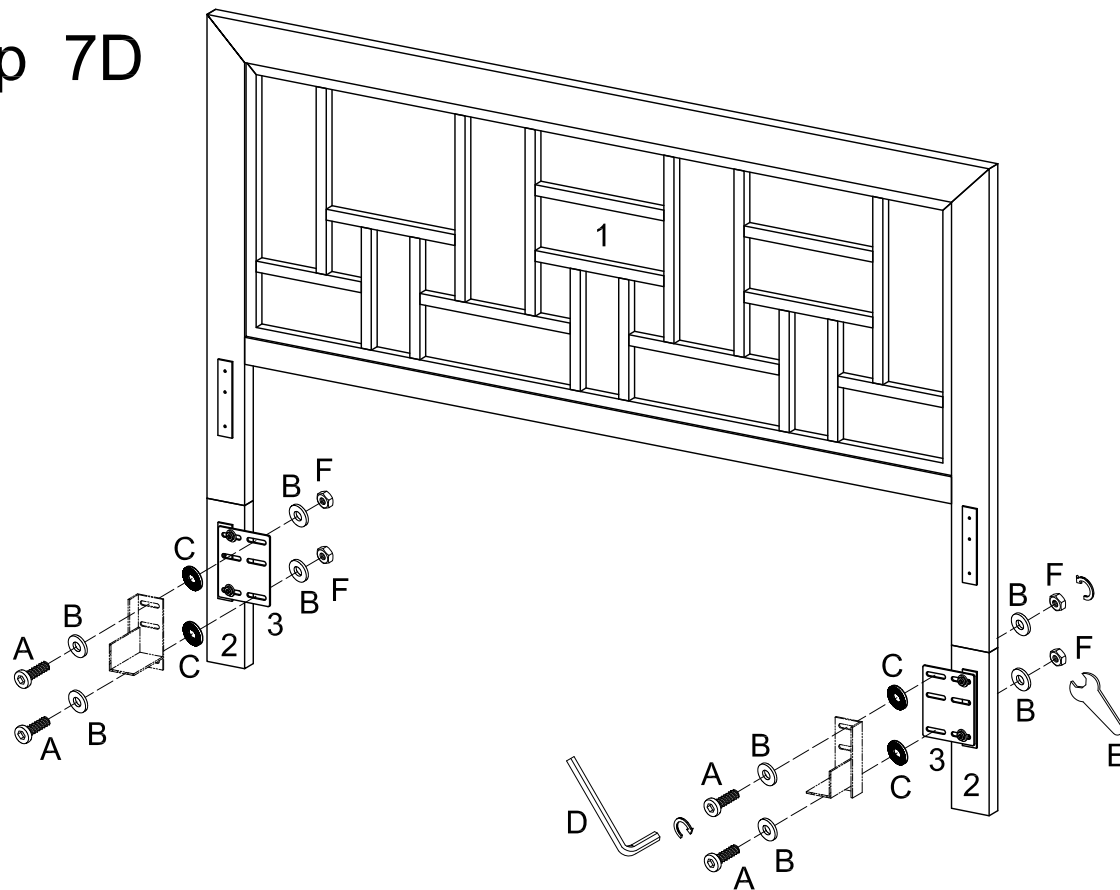


OPTION C Final

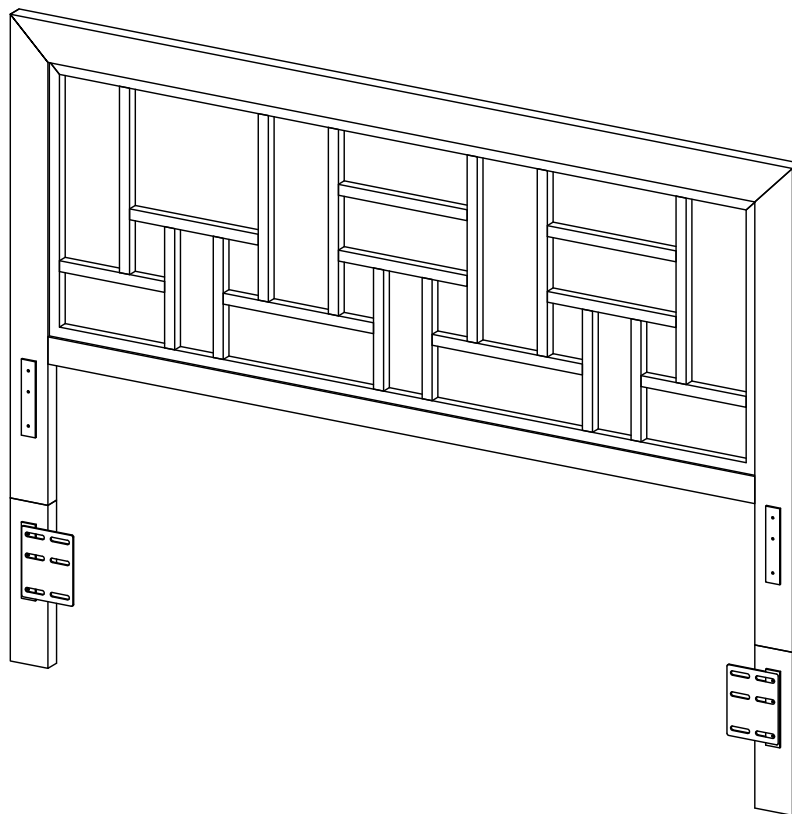
Step 6D



Step 7D



Step 8D



OPTION D Final