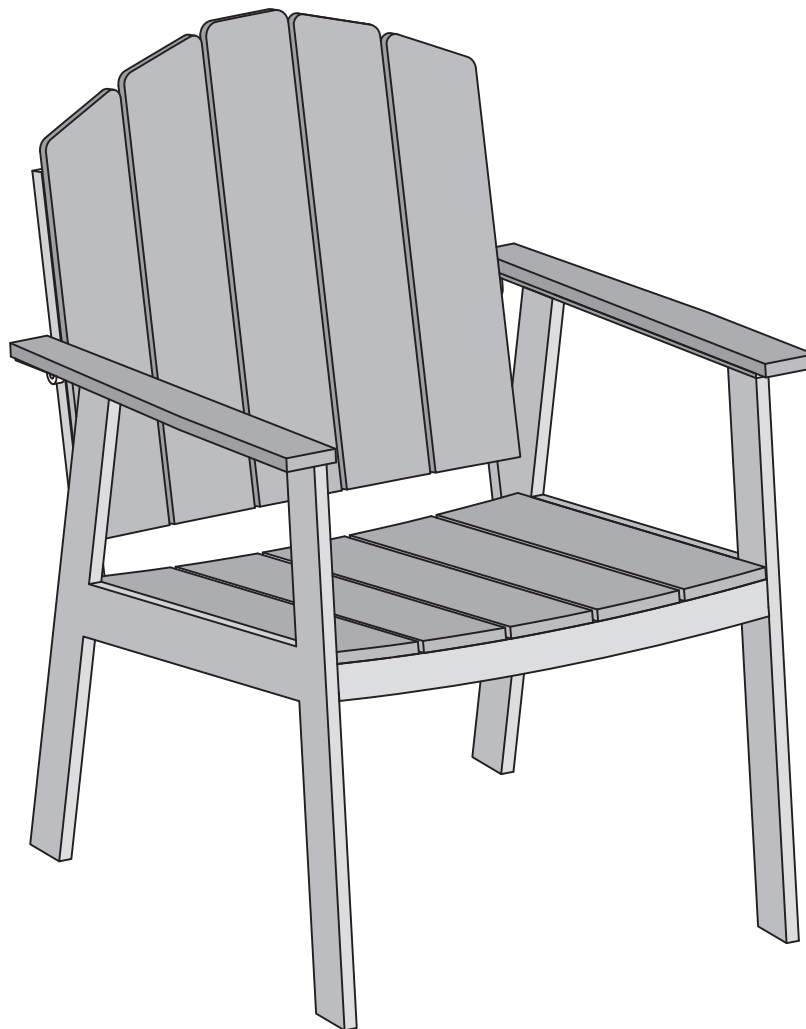


W Walker[®]
E Edison
furniture company

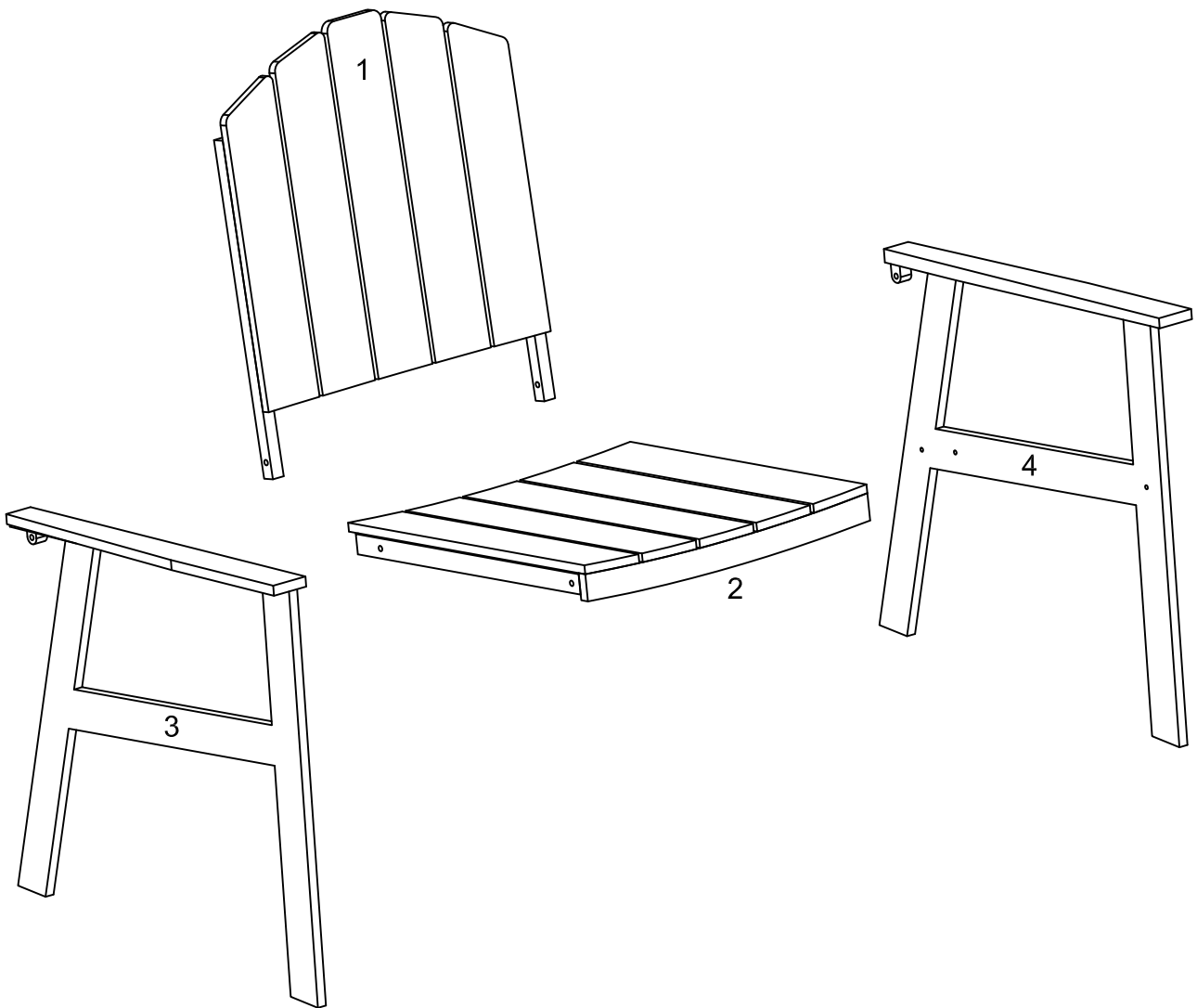
Item # : OCST2CH
Assembly Instructions



*To request missing, lost or broken parts , or for any other customer service issues,
please visit our website at www.walkeredison.com or call us at 877-207-5906.*

Revised 01/2017

Parts List

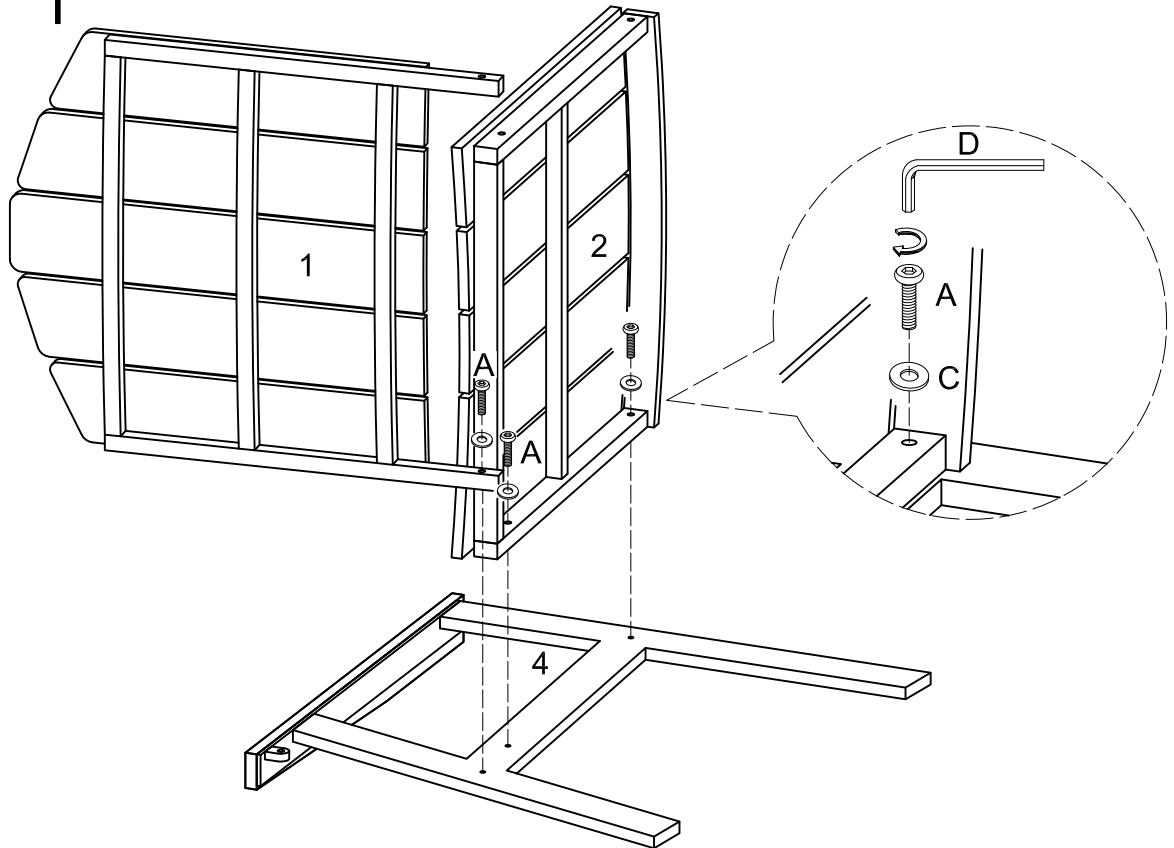


Hardware List

A		M6*30mm	Bolt	12 pcs
B		M6*35mm	Bolt	4 pcs
C			Washer	12 pcs
D		M4	Wrench	1 pc

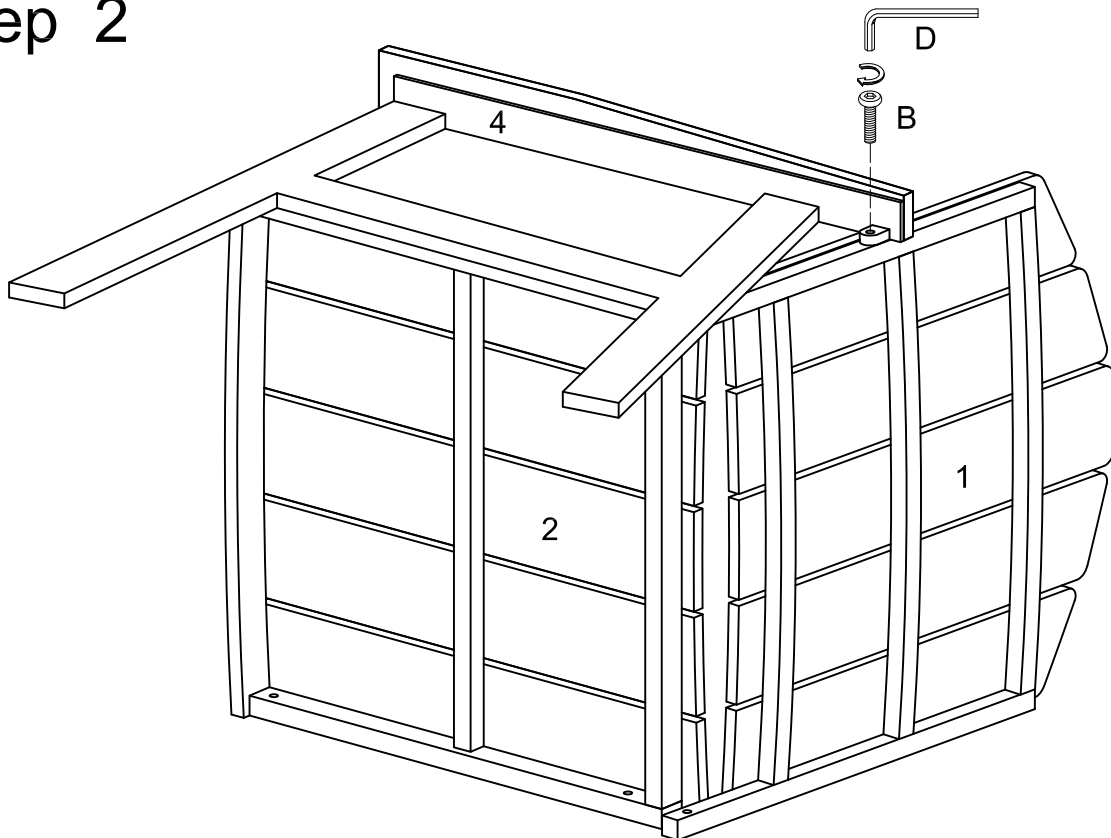
*The hardware quantities listed above are required for proper assembly.
Some extra hardware may also have been included.*

Step 1



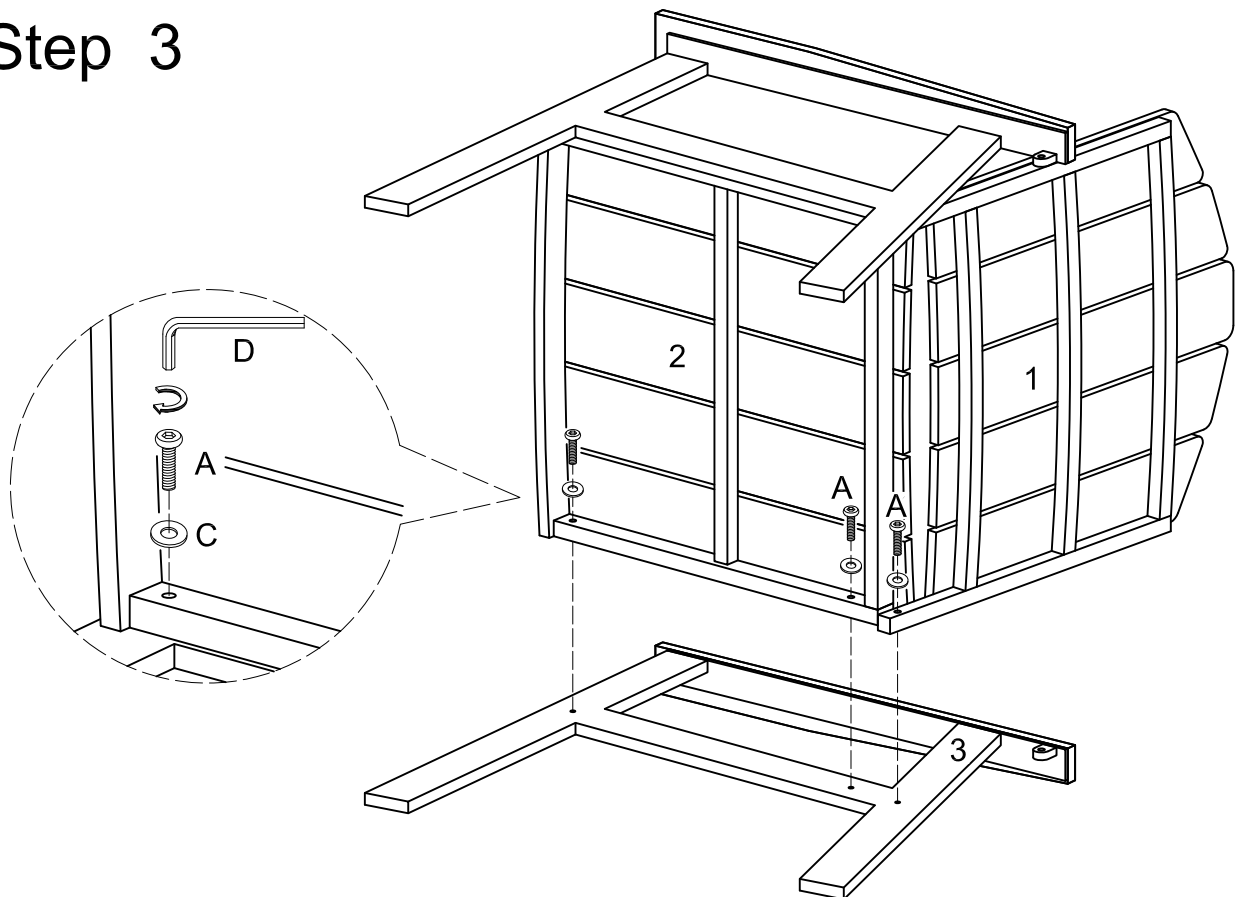
Use wrench (D), bolt (A), and washer (C) to secure the back frame (1) and seating frame (2) to the side frame (4).

Step 2



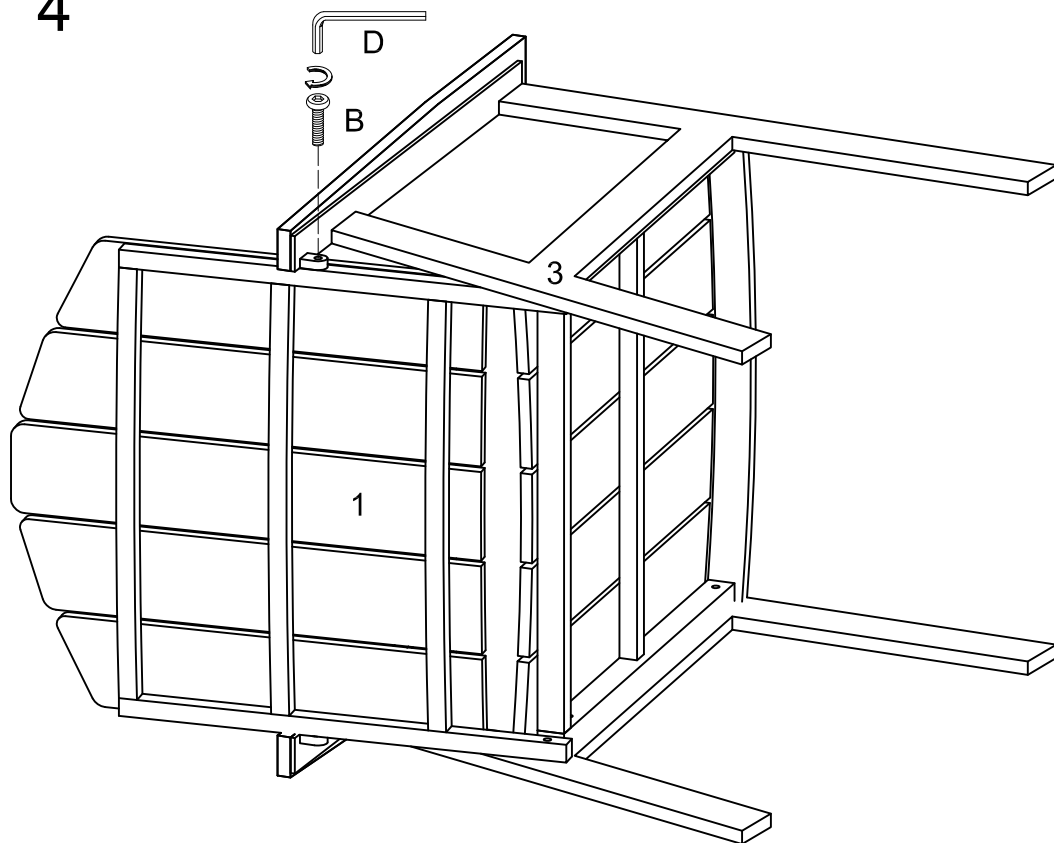
Use wrench (D) and bolt (B) to secure the side frame (4) to the back frame (1).

Step 3



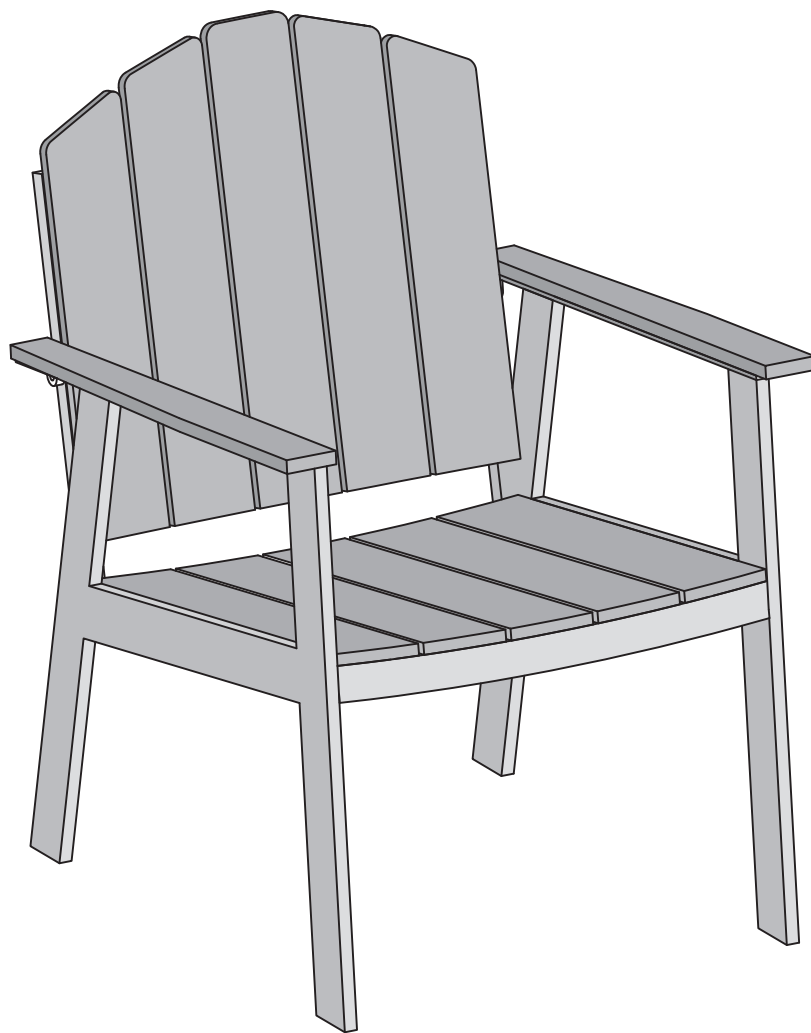
Use wrench (D), bolt (A), and washer (C) to secure the back frame (1) and seating frame (2) to the side frame (3).

Step 4



Use wrench (D) and bolt (B) to secure the side frame (3) to the back frame (1).

Step 5



Final Assembly