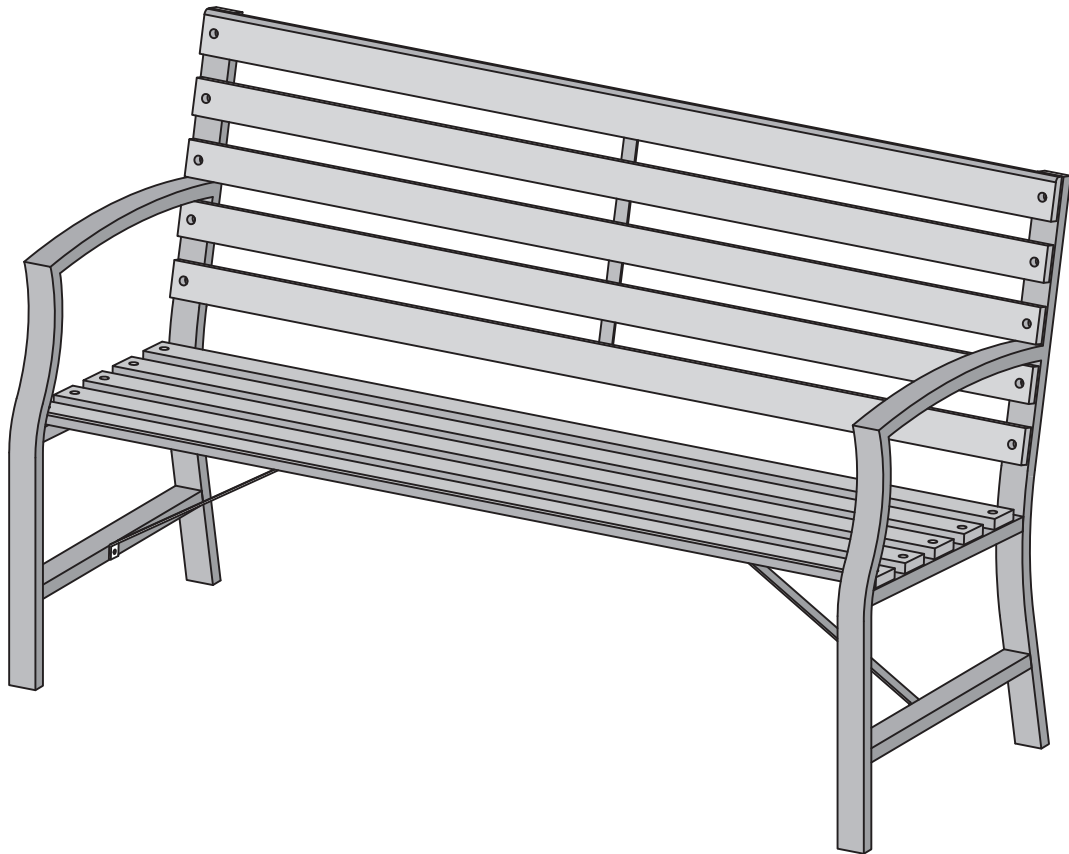


**WE** Walker<sup>®</sup>  
Edison  
furniture company

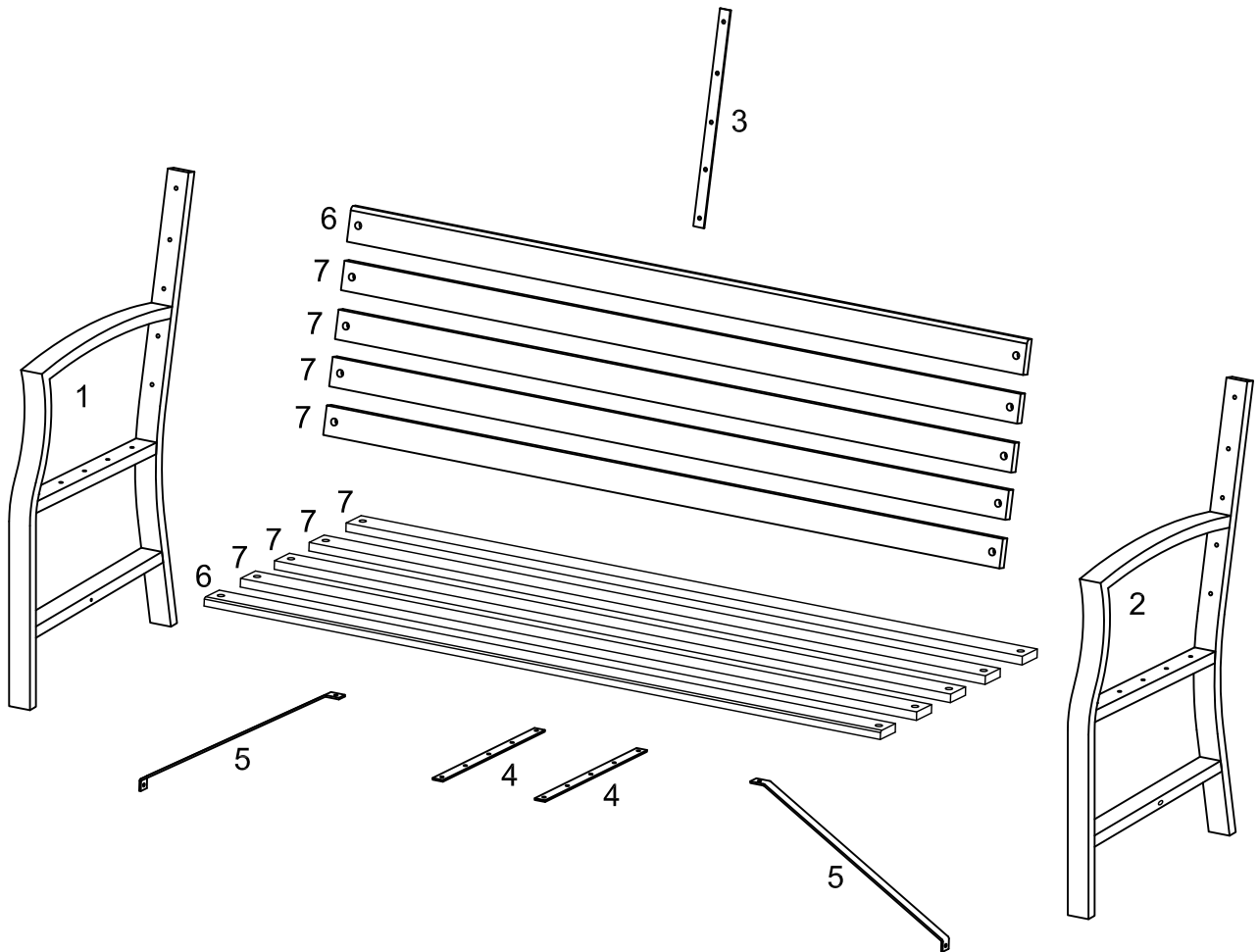
Item # : OPB48SL  
Assembly Instructions



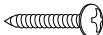






*To request missing, lost or broken parts , or for any other customer service issues,  
please visit our website at [www.walkeredison.com](http://www.walkeredison.com) or call us at 877-207-5906.*

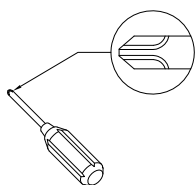
Revised 01/2017

# Parts List



# Hardware List

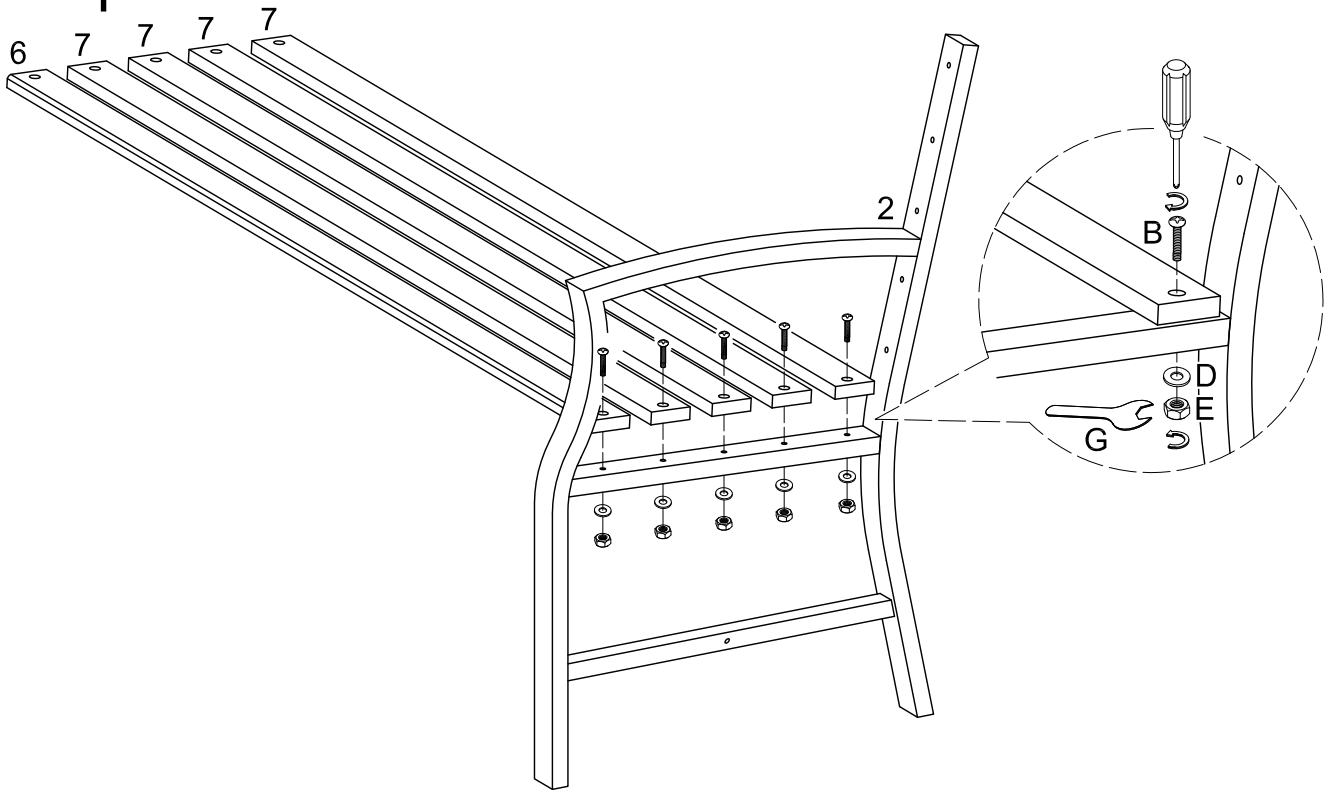
A		M4*16mm	Screw	17 pcs
B		M6*43mm	Bolt	20 pcs
C		M6*31mm	Bolt	2 pcs
D			Washer	22 pcs
E			Nut	22 pcs
F			Nut cap	22 pcs
G			Wrench	1 pc



Philips head screwdriver required for assembly  
(not included)

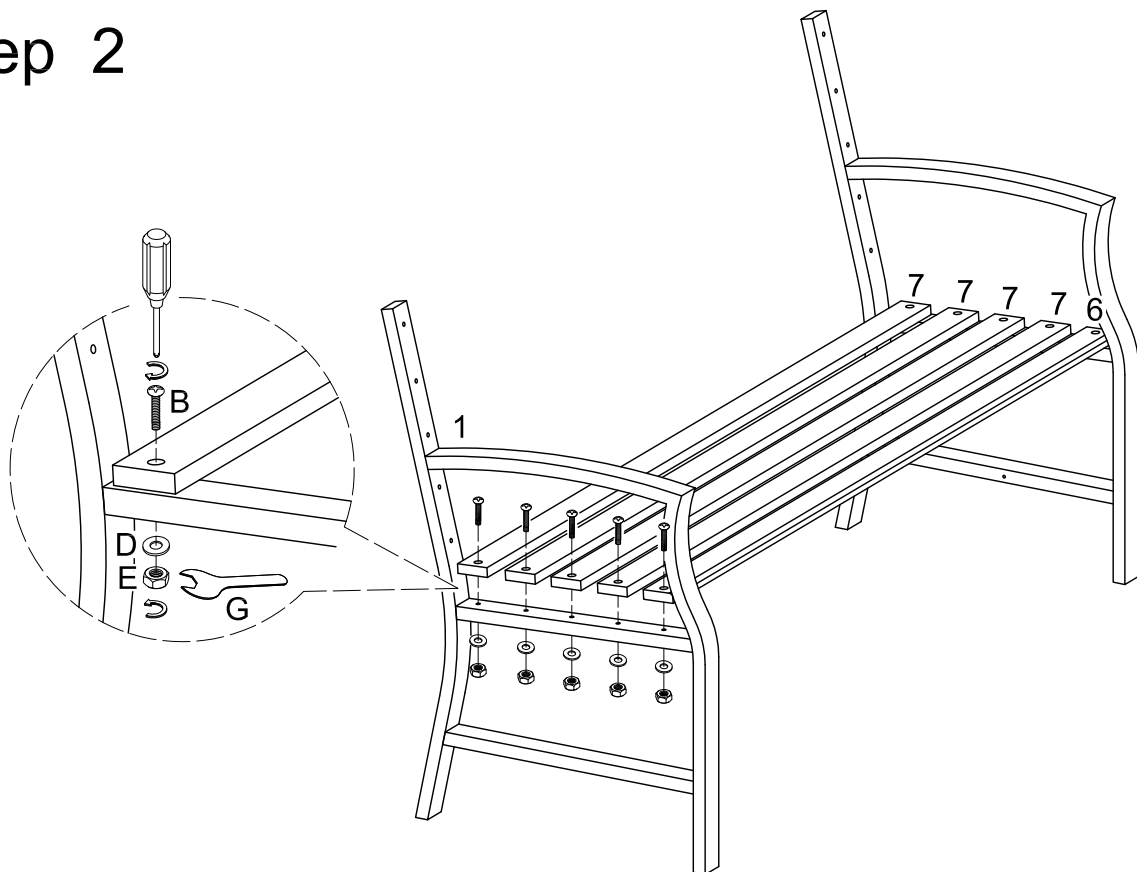
*The hardware quantities listed above are required for proper assembly.  
Some extra hardware may also have been included.*

# Step 1



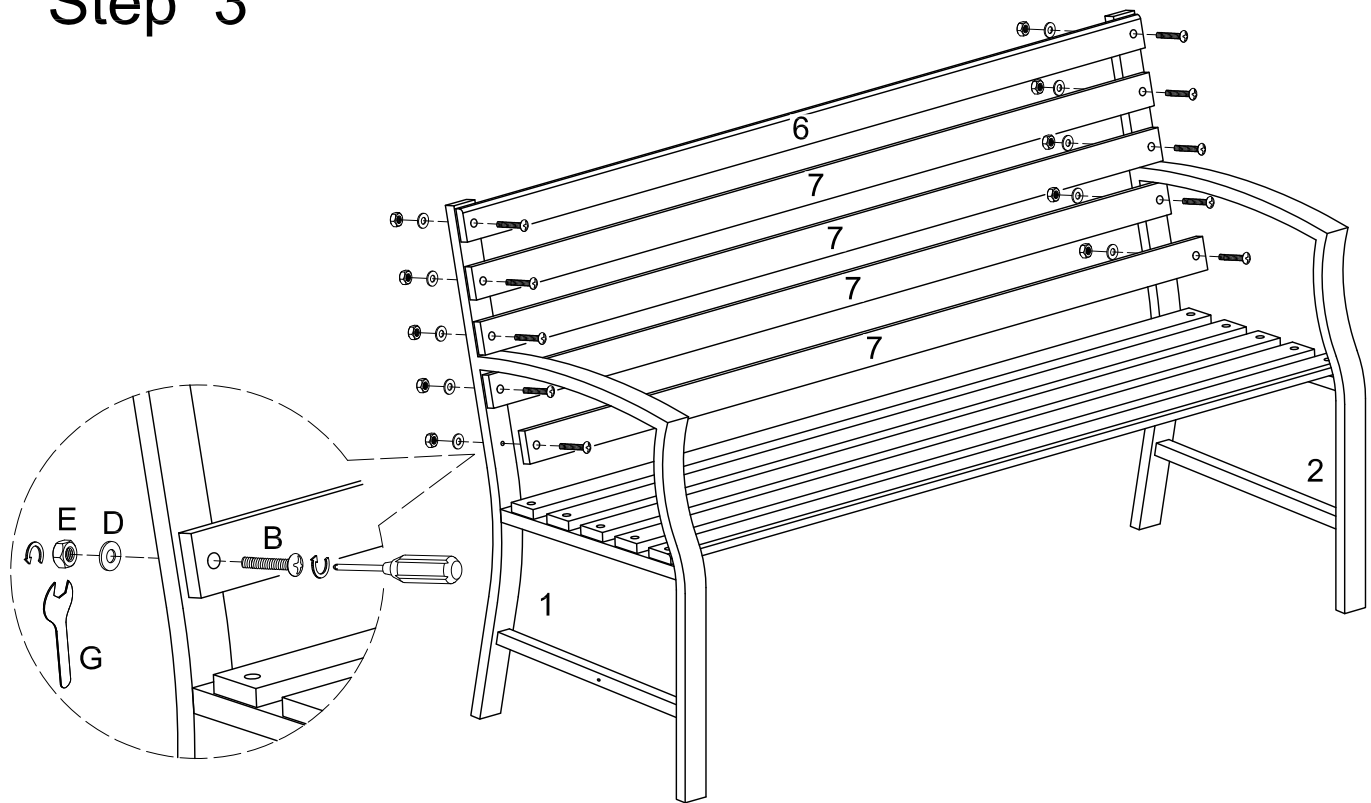
Secure bolt (B) to the seating bar (6,7) to the side frame (2), but not tighten completely until Step 3, use wrench (G), nut (E), and washer (D) to secure it.

# Step 2



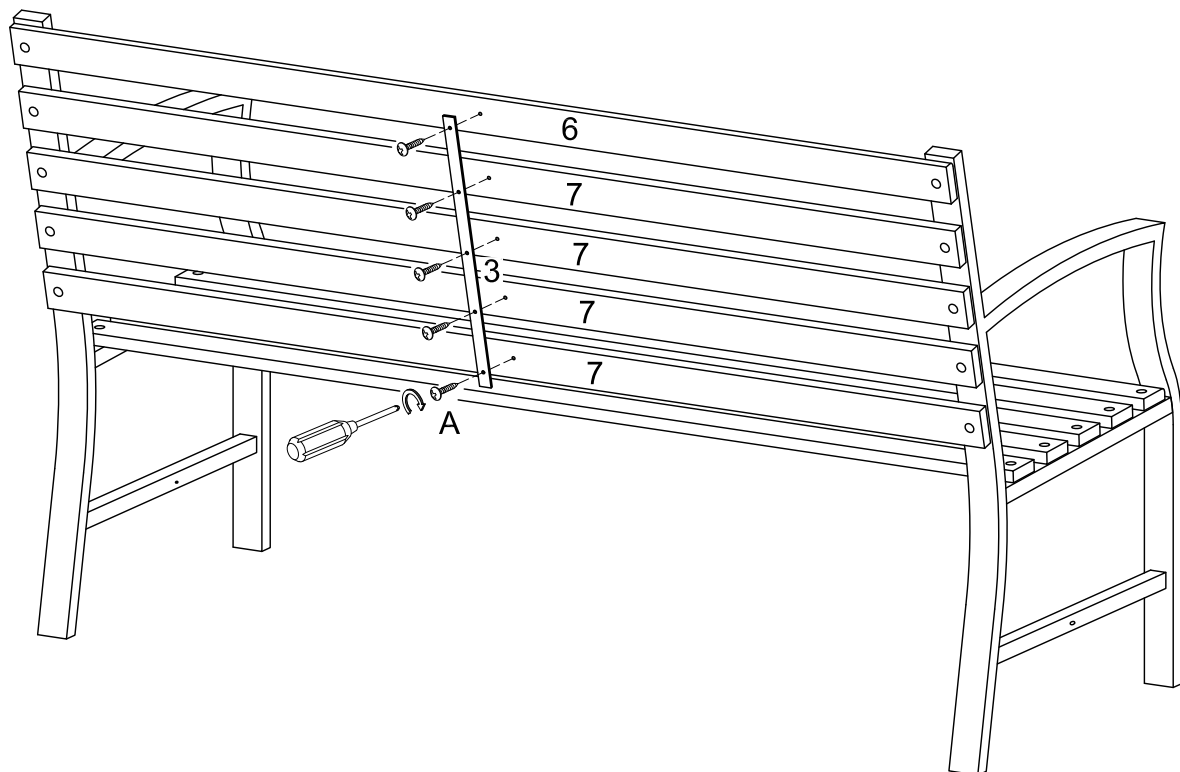
Secure bolt (B) to the seating bar (6,7) to the side frame (1), but not tighten completely until Step 3, use wrench (G), nut (E), and washer (D) to secure it.

## Step 3



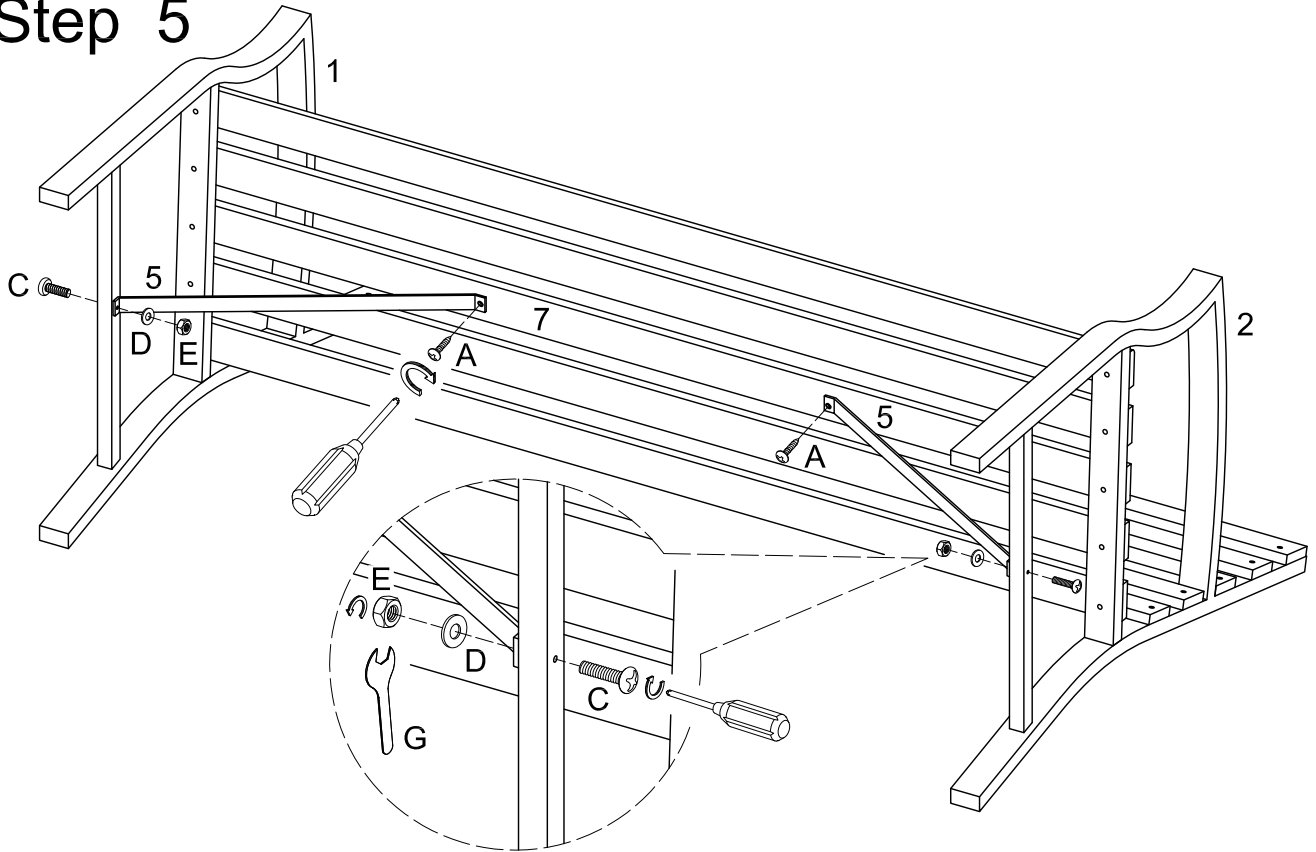
Use wrench (G), nut (E), washer (D) and bolt (B) to secure the backing bar (6,7) to the side frame (1,2). Tighten completely all bolt (B) in seating bar and backing bar (6,7).

## Step 4



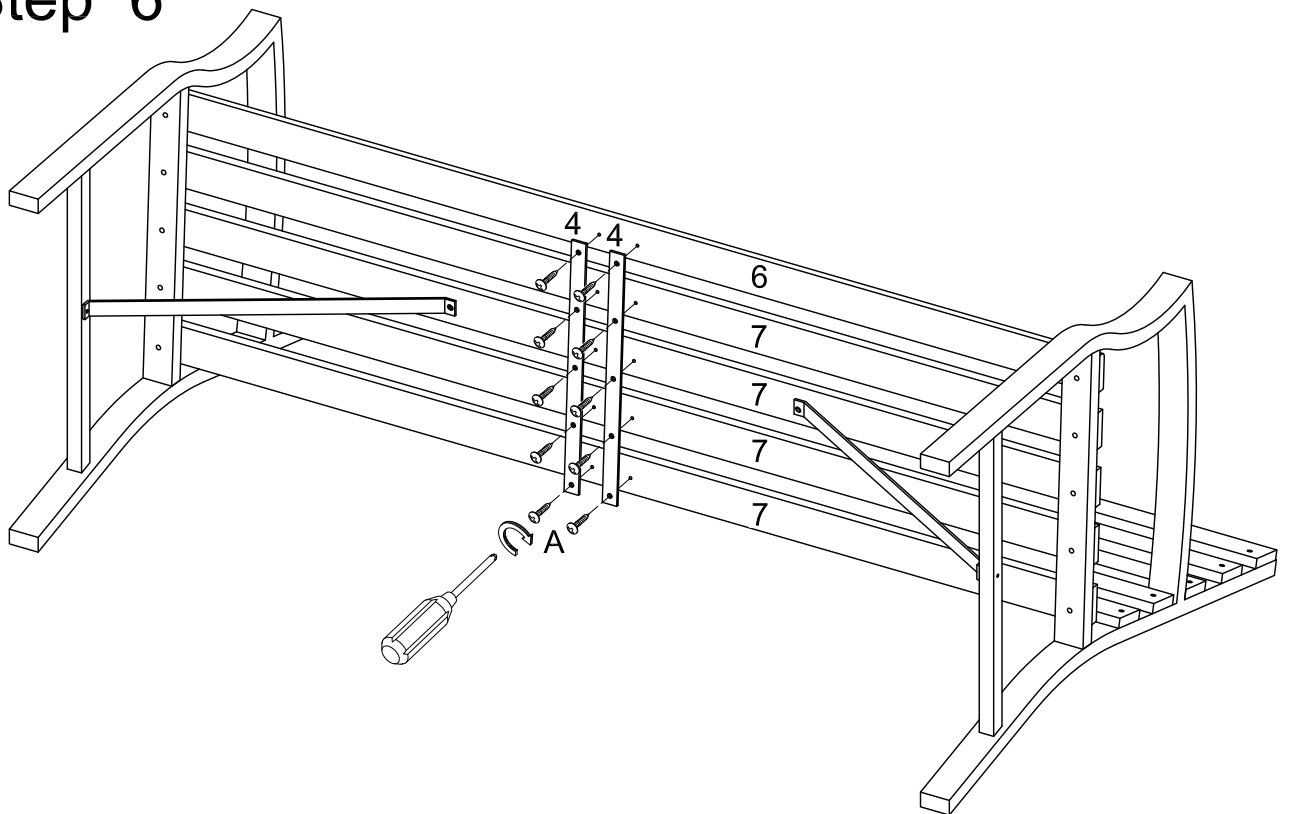
Secure screw (A) to the backing cross bar (3) to the backing bar (6,7).

## Step 5



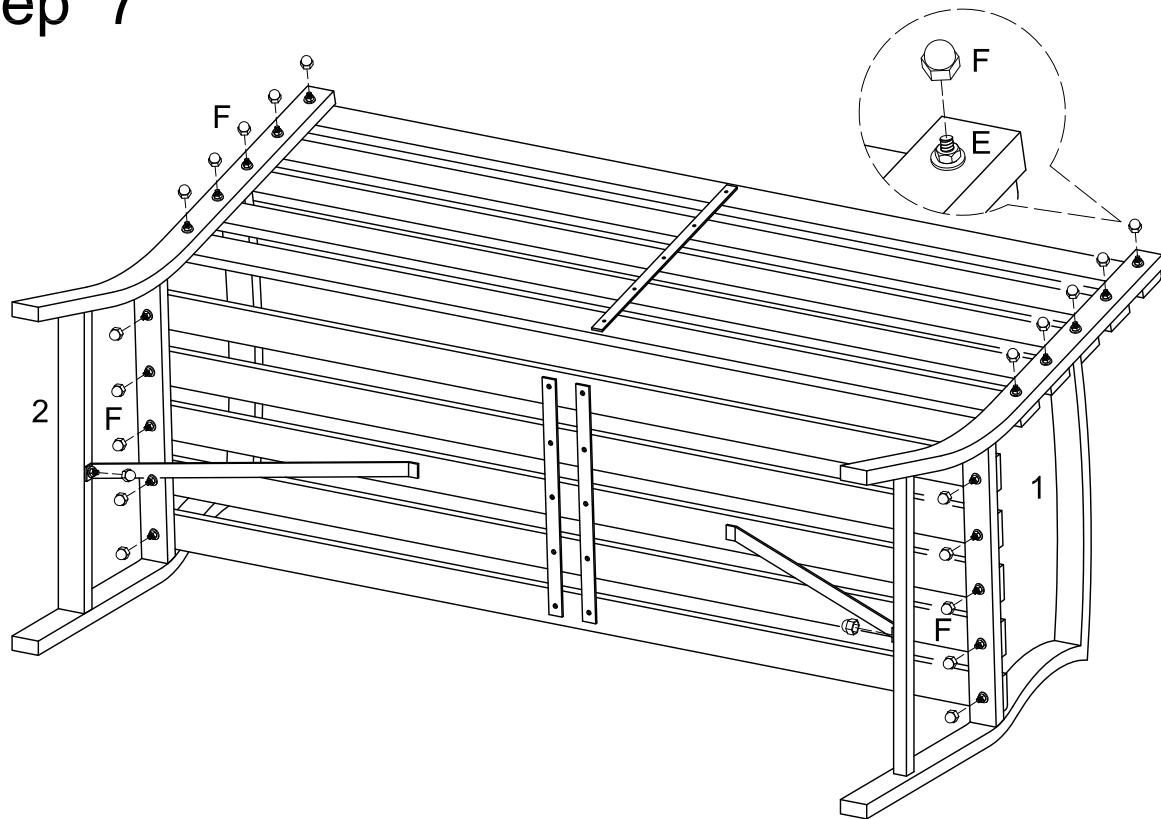
Secure screw (A) to the support bar (5) to the seating frame (7), and use wrench (G), nut (E), and washer (D), and bolt (C) to secure the support bar (5) to the side frame (1,2).

## Step 6



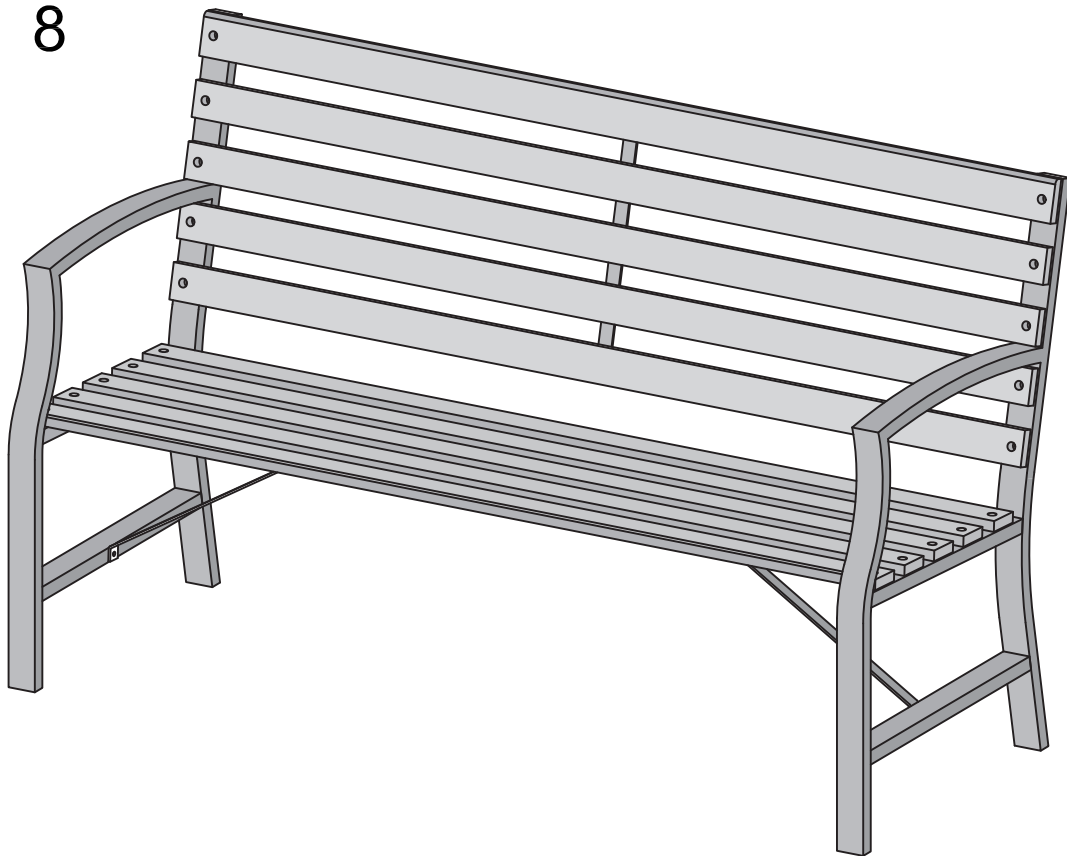
Secure screw (A) to the seating cross bars (4) to the seating bar (6,7).

## Step 7



Secure nut cap (F) to cover on the nut (E).

## Step 8



### Final Assembly