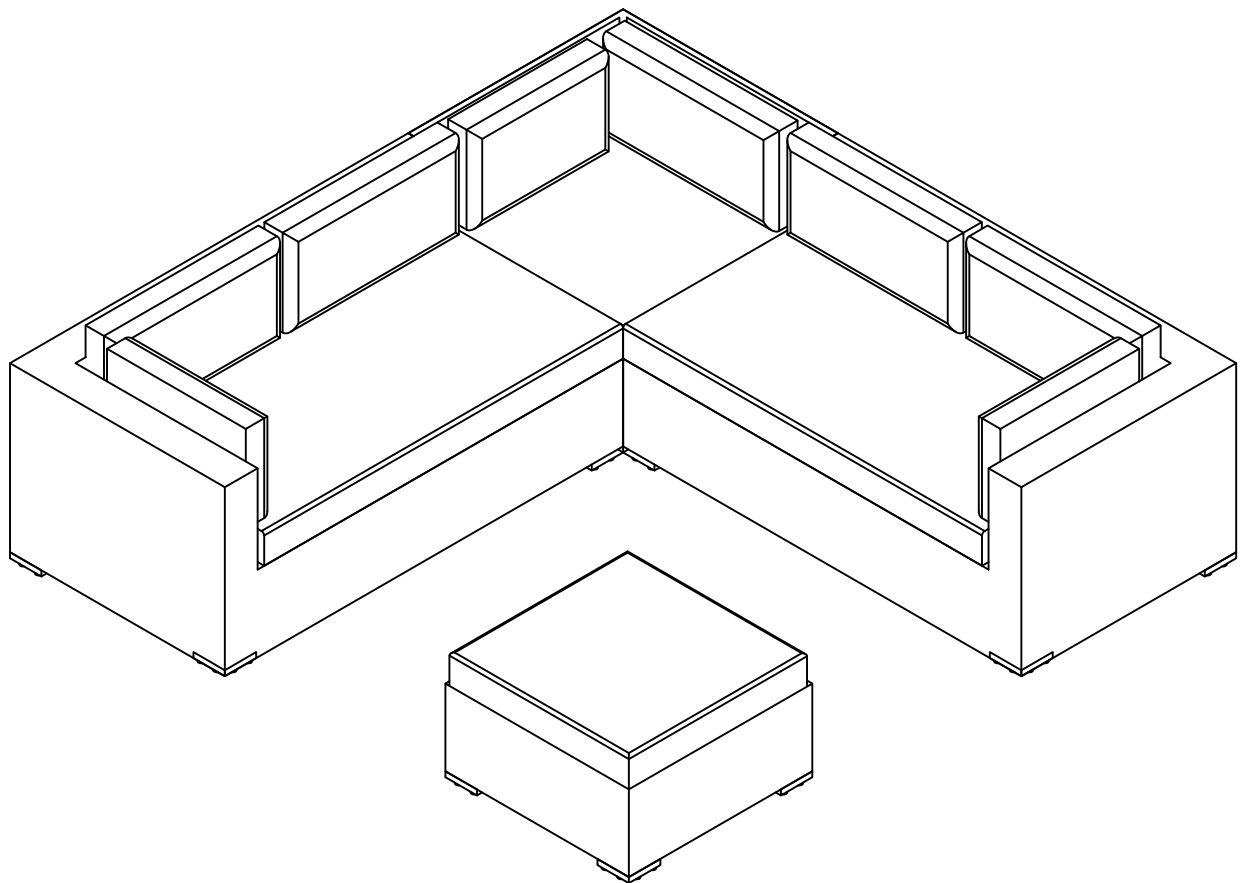


W Walker[®]
E Edison
furniture company

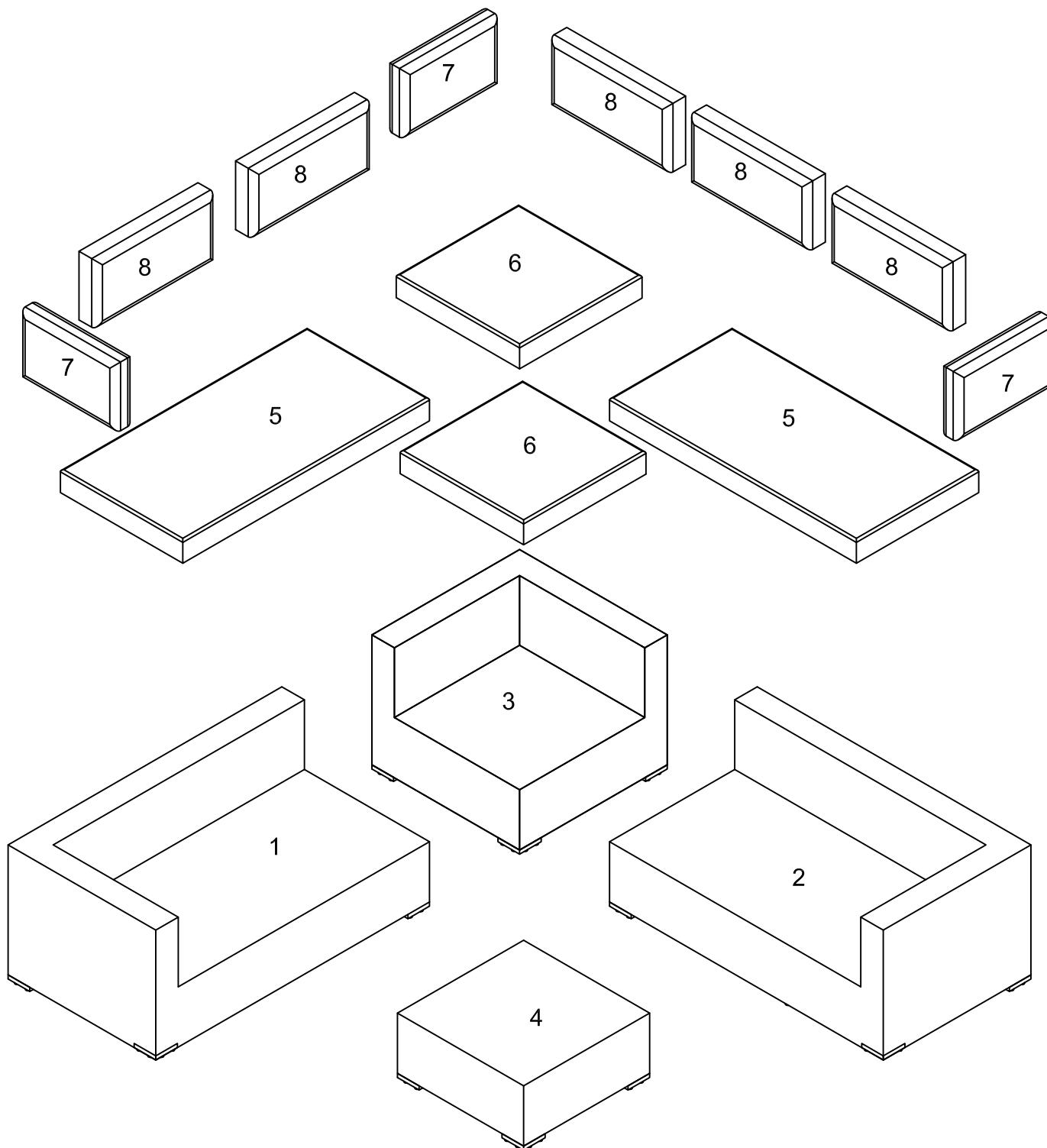
Item # : OR4LVSGY,OR4OCGY
Assembly Instructions



*To request missing, lost or broken parts , or for any other customer service issues,
please visit our website at www.walkeredison.com or call us at 877-207-5906.*

Revised 02/2017

Parts List



Hardware List

A

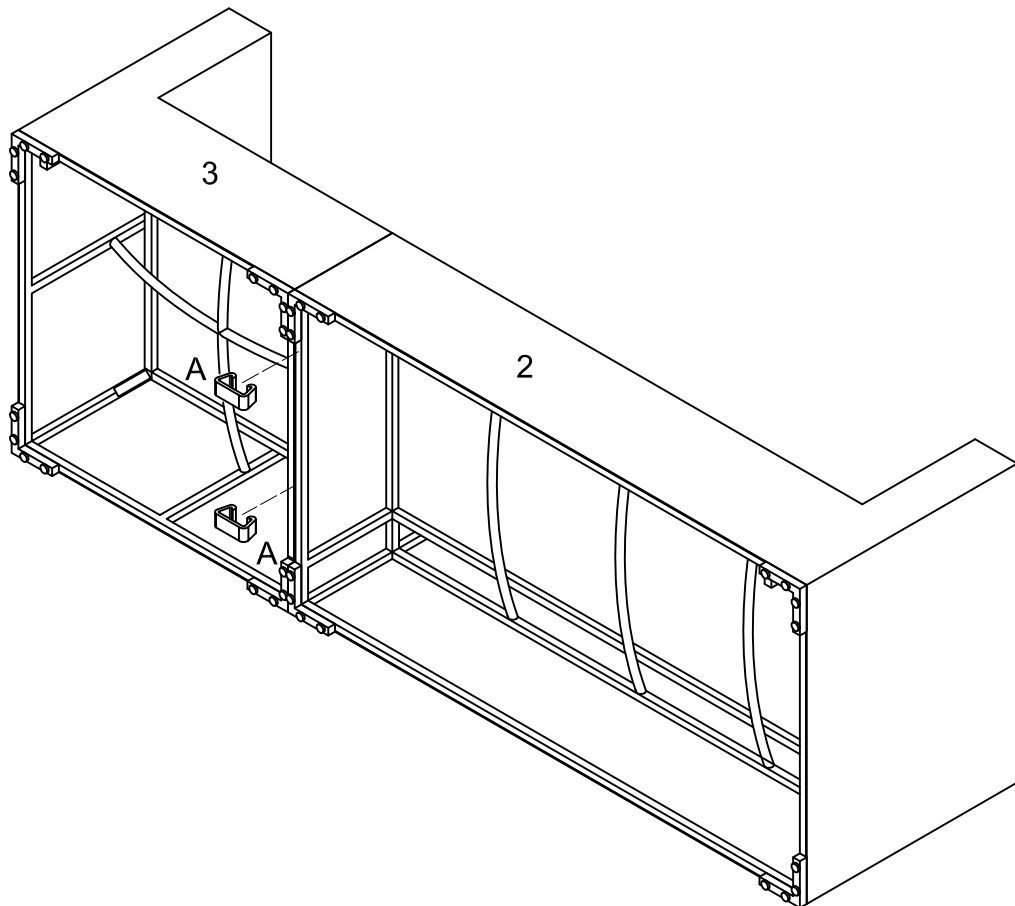


U shape buckle

4 pcs

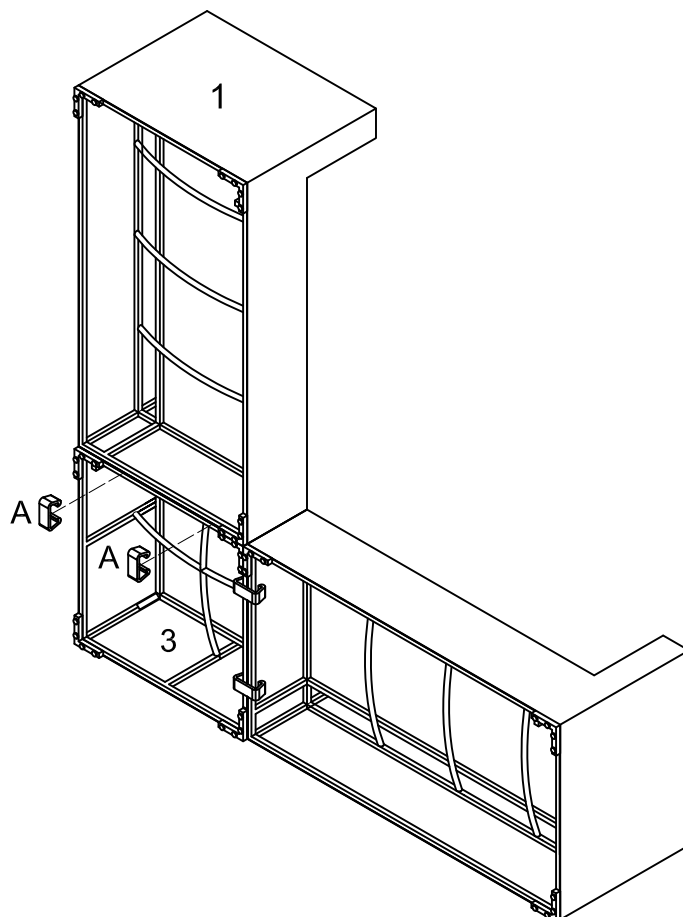
*The hardware quantities listed above are required for proper assembly.
Some extra hardware may also have been included.*

Step 1



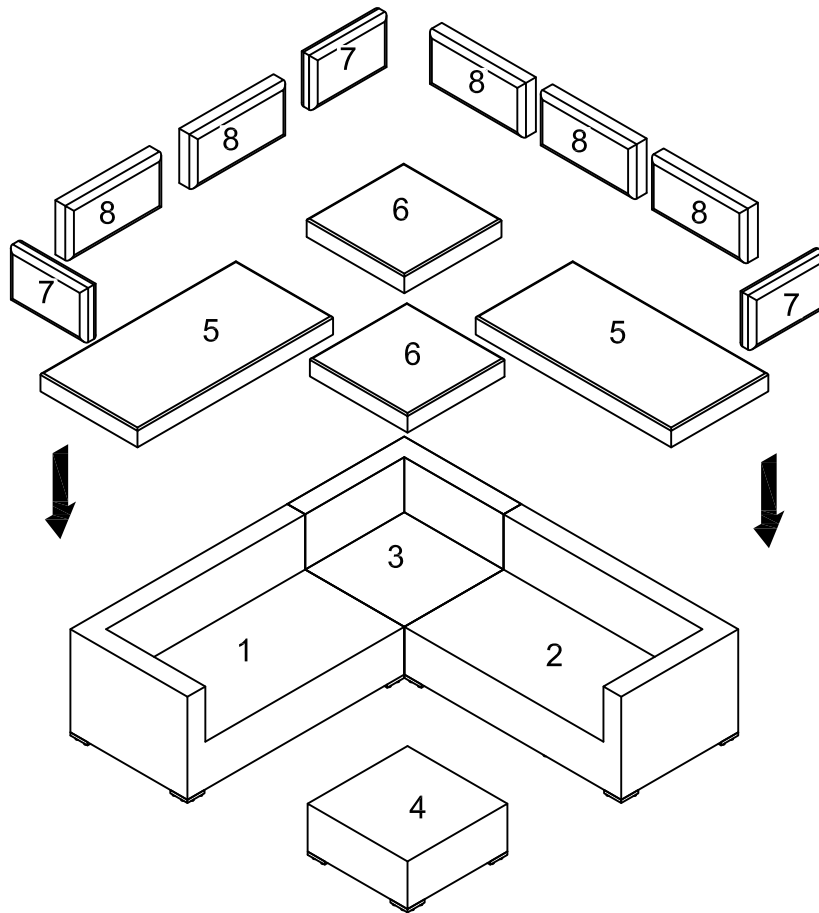
Place the U shape buckle (A) to connect with the sofa (2,3).

Step 2



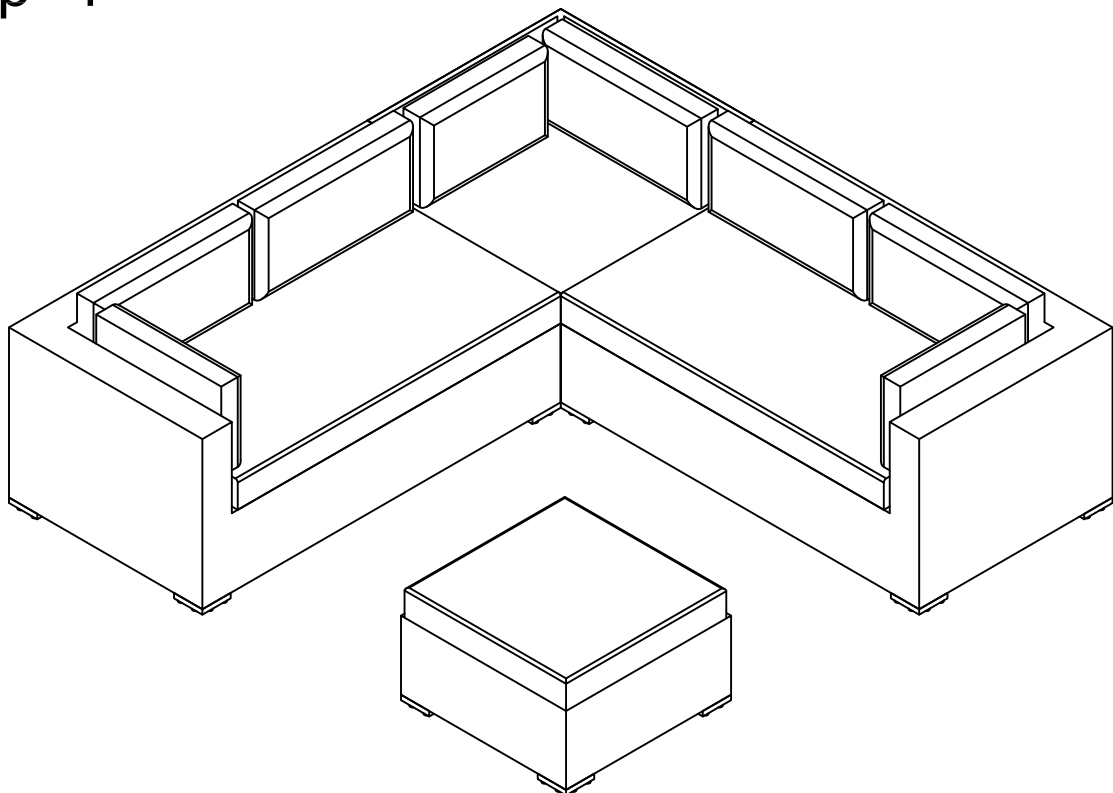
Place the U shape buckle (A) to connect with the sofa (1,3).

Step 3



Place the cushion (5,6,7,8) on top of the sofa (1,2,3) and ottoman (4) as per diagram.

Step 4



Final Assembly