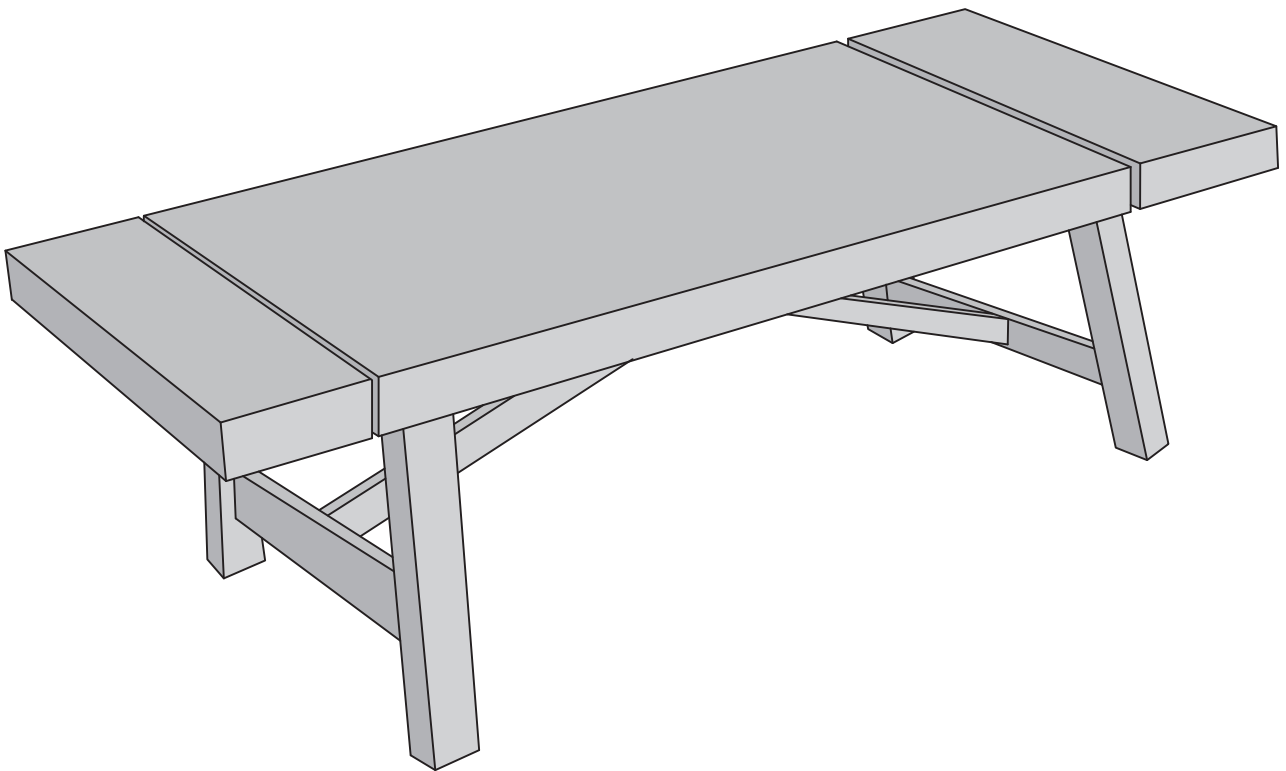


W Walker[®]
E Edison
furniture company

Item # : TW60TR
Assembly Instructions

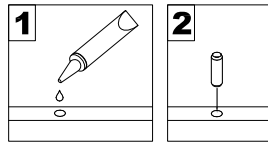


Please visit our website for the most current instructions, assembly tips, report damage, or request parts. www.walkeredison.com

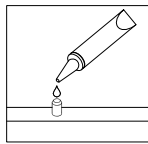
Revised 08/2017

General Assembly Guidelines

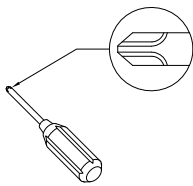
- I. Ensure that all parts and hardware are available before beginning assembly.
- II. Follow each step carefully to ensure the proper assembly of this product.
- III. Two people are recommended for ease in the assembly of this product.
- IV. The three main types of hardware used to assemble this product are : wood dowels , screws and bolts.
- V. The provided glue is to secure wood dowels in place . When first inserting dowels , locate the appropriate hole for the dowel , place a small amount of glue in the hole and insert the dowel . Wipe away excess glue immediately.



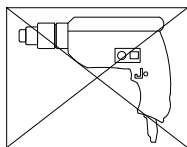
In future assembly steps when dowels are necessary to attach assembly parts together , place a small amount of glue on the end of the dowel before attaching parts together . Wipe away excess glue immediately.



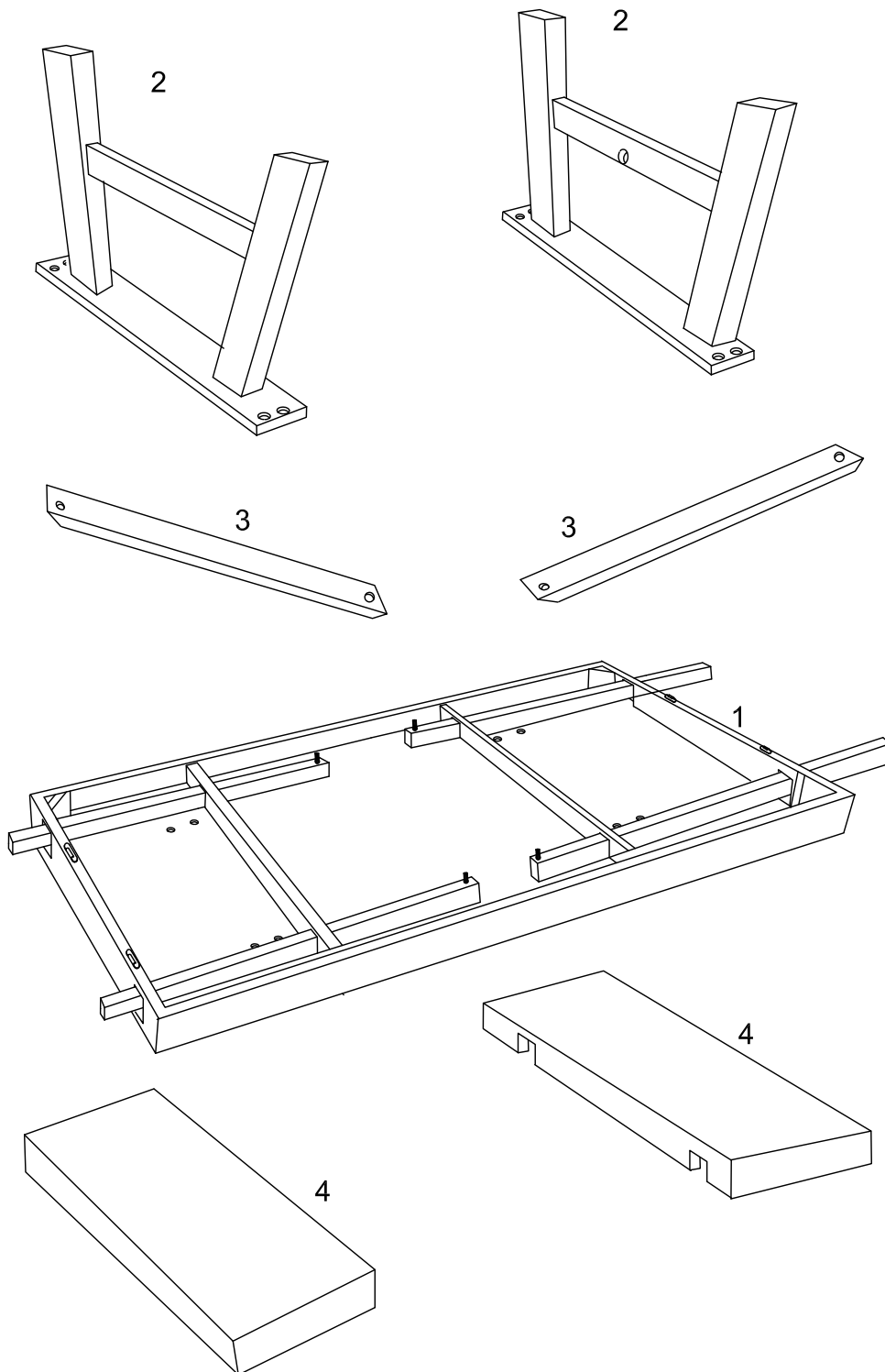
- VI. A Phillips head screwdriver is required for the assembly of this product .




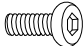



- VII. Power tools should not be used to assemble this product .

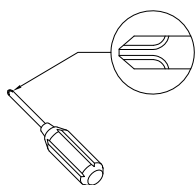


Parts List



Hardware List

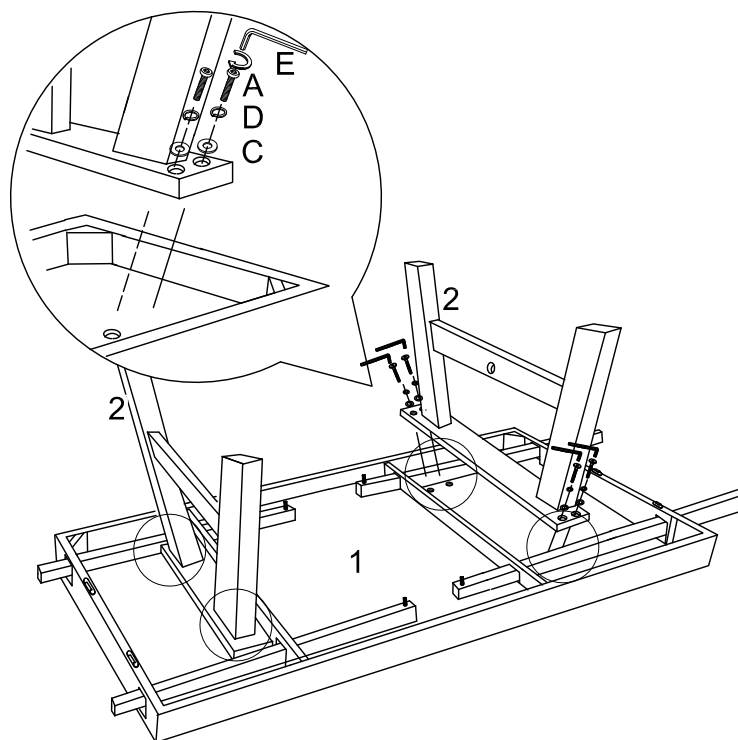
A		M6*40	Bolt	8 pcs
B		M6*25	Bolt	4 pcs
C		1 / 4 "	Washer	8 pcs
D		1 / 4 "	Spring washer	8 pcs
E		M4	Wrench	1 pcs



Philips head screwdriver required for assembly
(not included)

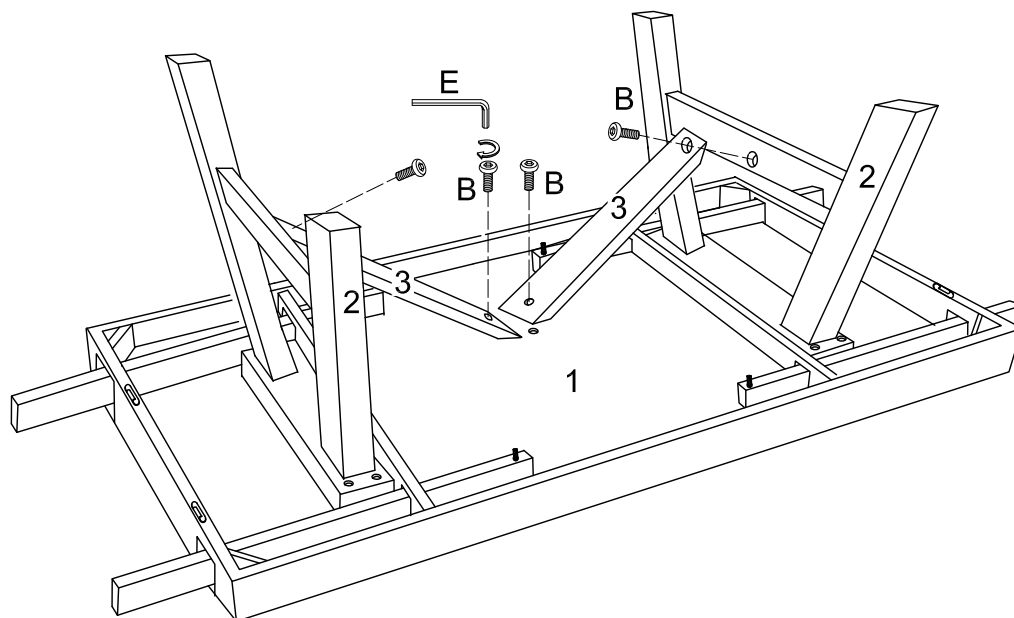
*The hardware quantities listed above are required for proper assembly.
Some extra hardware may also have been included.*

Step 1



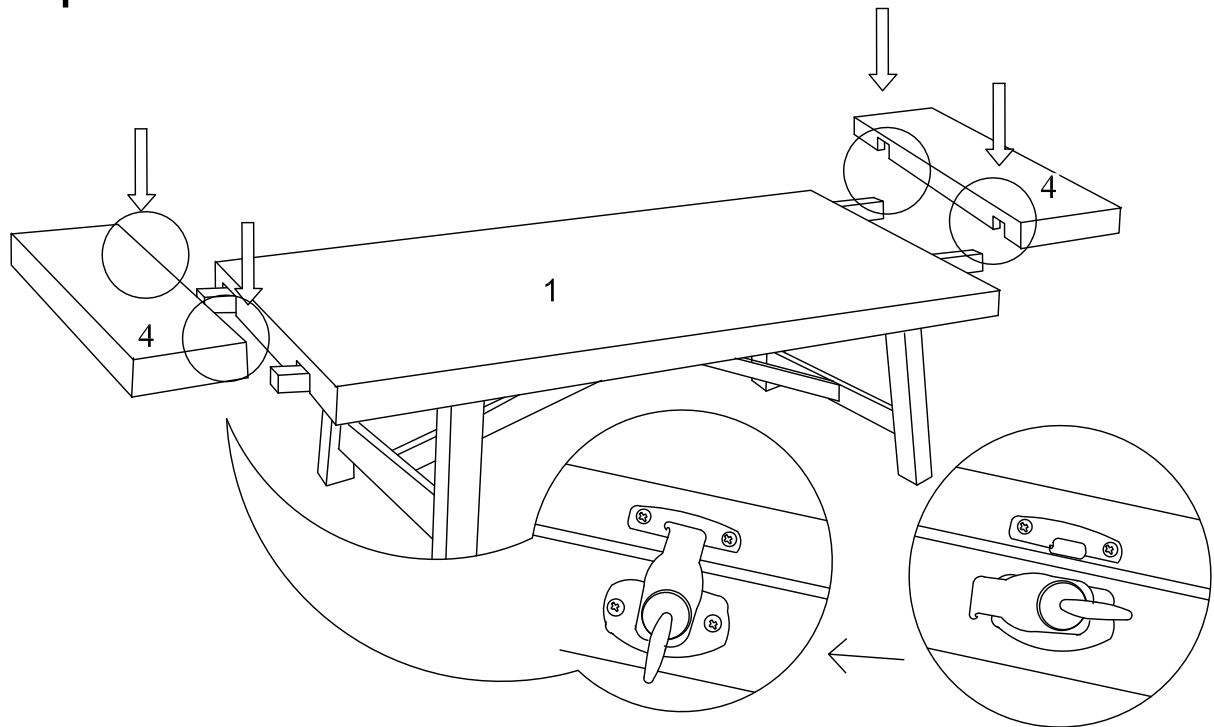
Attach legs (2) to table top(1) using bolts (A), washers (D) spring washers (C). Tighten using wrench (E)

Step 2



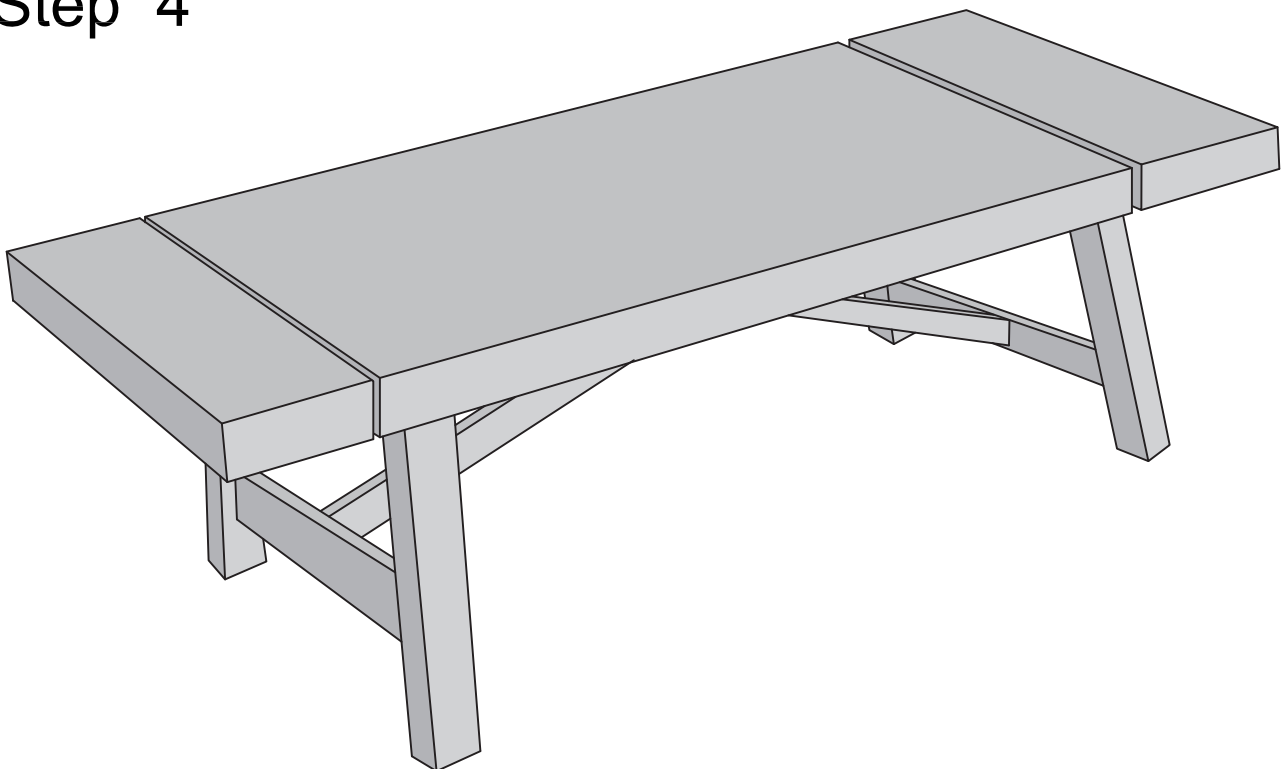
Secure support beams (3) to table assembly using bolts (B) as shown in the diagram. Tighten bolts using wrench (E).

Step 3



Extend leaf supports and carefully put leaves (4) into place as shown in the diagram. Secure leaves to the table with the metal latches.

Step 4



Final Assembly