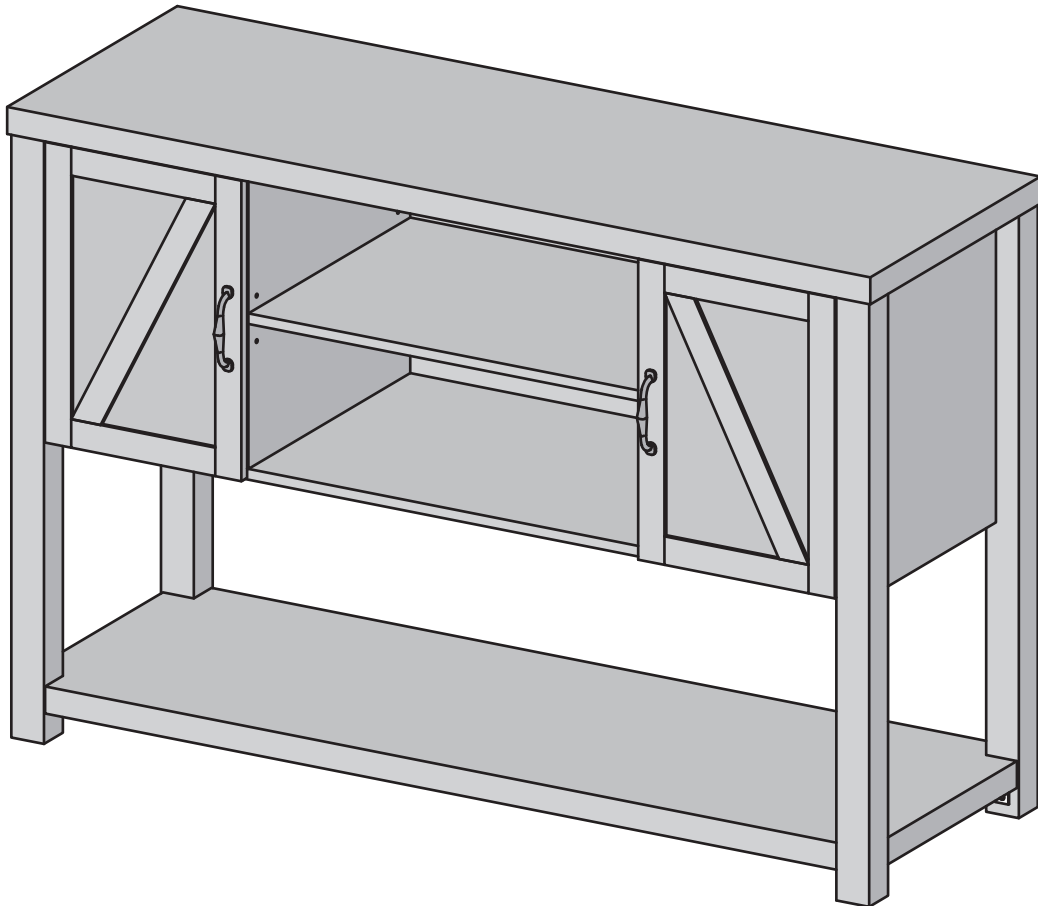




Walker
Edison

furniture company

Item # : W52BD4C
Assembly Instructions

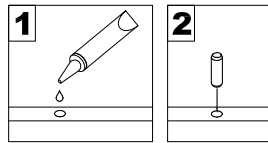


*To request missing, lost or broken parts , or for any other customer service issues,
please visit our website at www.walkeredison.com or call us at 877-207-5906.*

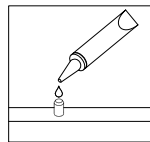
Revised 10/2016

General Assembly Guidelines

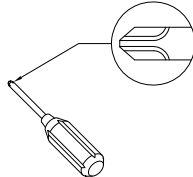
- I. Ensure that all parts and hardware are available before beginning assembly.
- II. Follow each step carefully to ensure the proper assembly of this product.
- III. Two people are recommended for ease in the assembly of this product.
- IV. The three main types of hardware used to assemble this product are : wood dowels , screws and bolts.
- V. The provided glue is to secure wood dowels in place . When first inserting dowels , locate the appropriate hole for the dowel , place a small amount of glue in the hole and insert the dowel . Wipe away excess glue immediately.



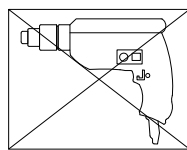
In future assembly steps when dowels are necessary to attach assembly parts together , place a small amount of glue on the end of the dowel before attaching parts together . Wipe away excess glue immediately.



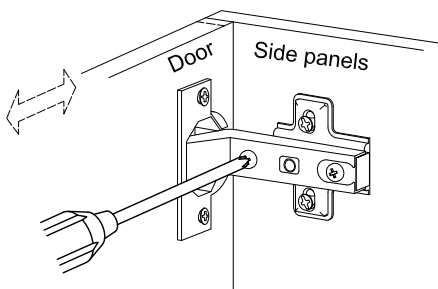
- VI. A Phillips head screwdriver is required for the assembly of this product .



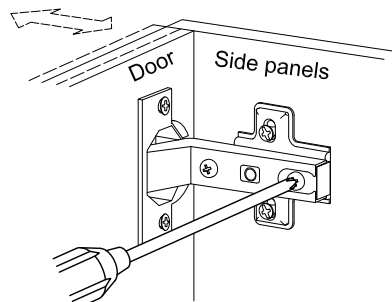
- VII. Power tools should not be used to assemble this product .



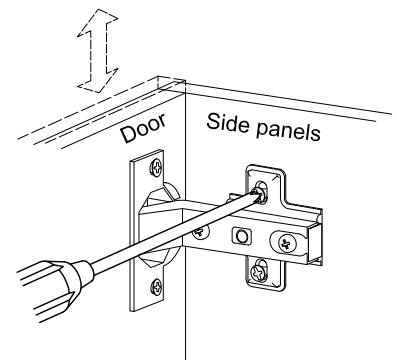
- VIII. Concealed hinges are three-way adjustable.



Horizontal
by screw adjustment

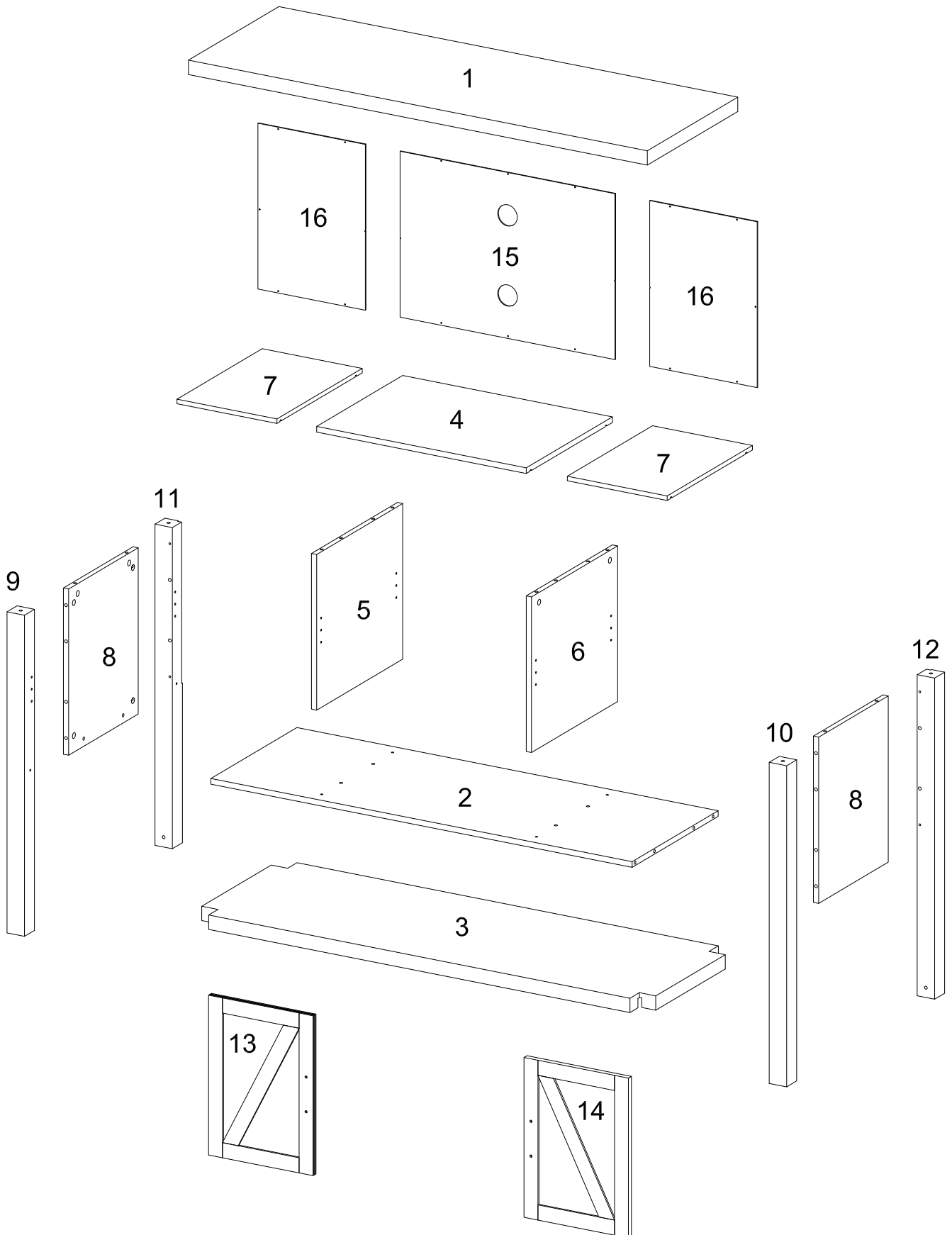


In-and-Out
by loosening the hinge-arm
mounting screw or via cam
adjustment





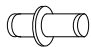
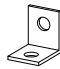
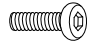


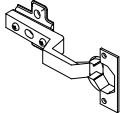




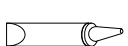


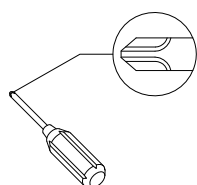
Vertical
Via slots in the mounting
plate or via cam adjustment

Parts List



Hardware List

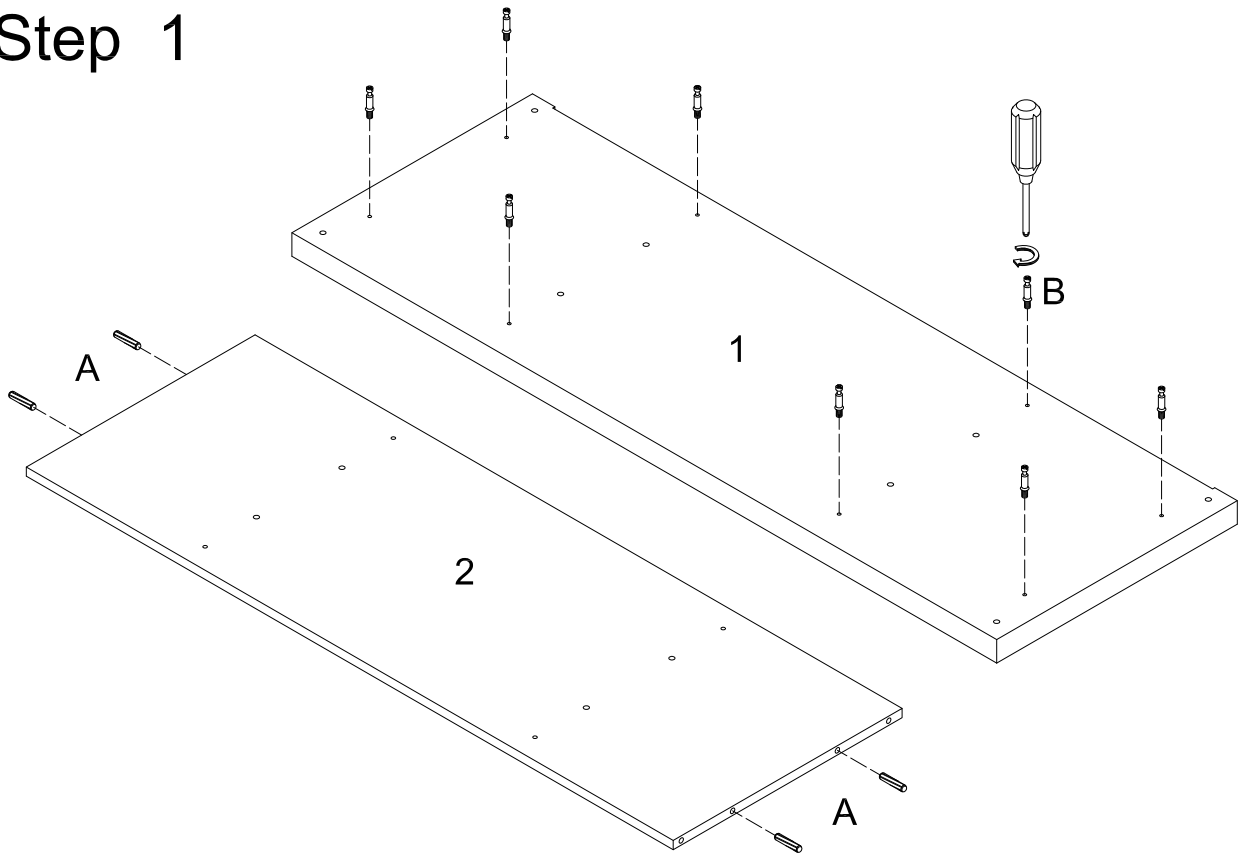
| | | | | |
|---|---|----------|-------------------|--------|
| A |  | Ø8x30mm | Wooden dowel | 24 pcs |
| B |  | Ø6x35mm | Cam bolt | 20 pcs |
| C |  | Ø15x12mm | Cam lock | 20 pcs |
| D |  | Ø3x12mm | Screw | 18 pcs |
| E |  | | Shelf support pin | 12 pcs |
| F |  | | Iron angle | 4 pcs |
| G |  | | Bolt | 8 pcs |
| H |  | | Handle | 2 pcs |
| J |  | | Bolt | 4 pcs |
| K |  | | Hinge | 4 pcs |
| L |  | Ø3x14mm | Screw | 16 pcs |
| M |  | | Sticker | 20 pcs |
| N |  | Ø6x50mm | Screw | 4 pcs |
| P |  | Ø4mm | Wrench | 1 pc |
| Q |  | | Glue tube | 1 pc |



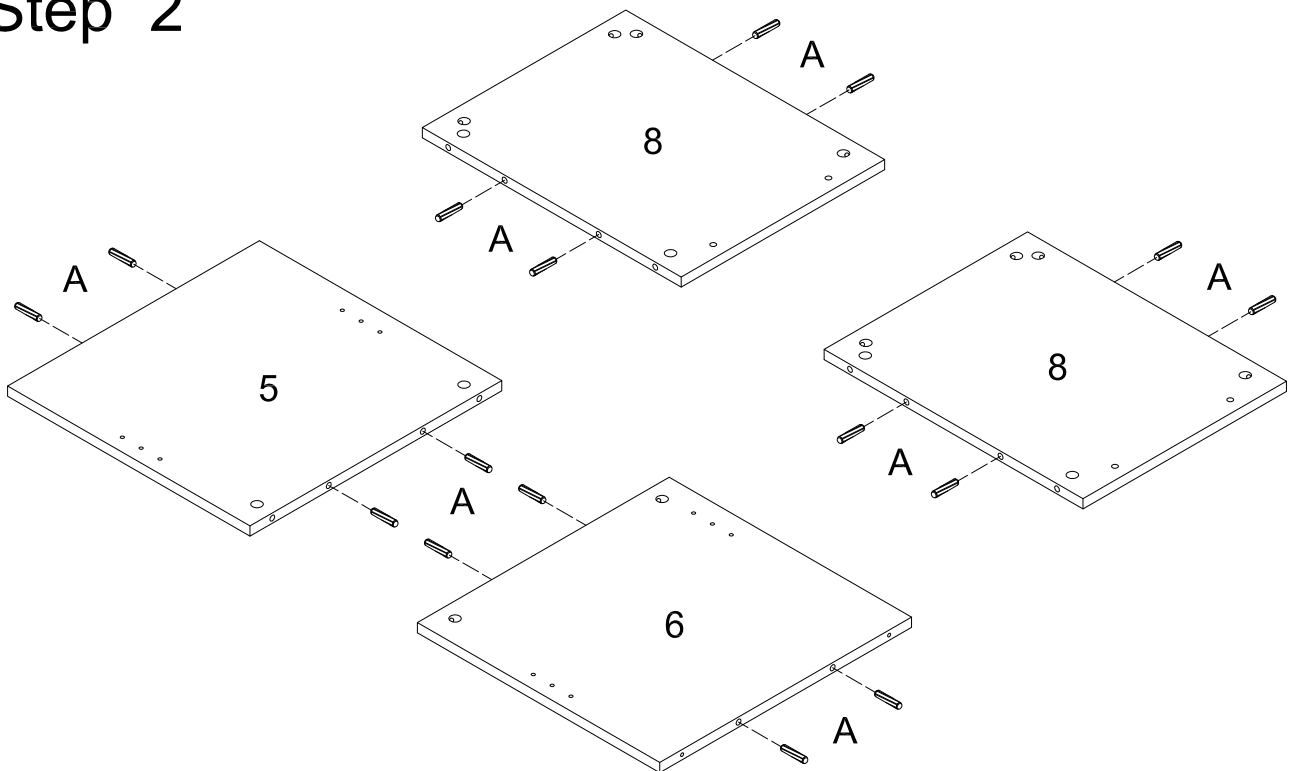
Philips head screwdriver required for assembly
(not included)

*The hardware quantities listed above are required for proper assembly.
Some extra hardware may also have been included.*

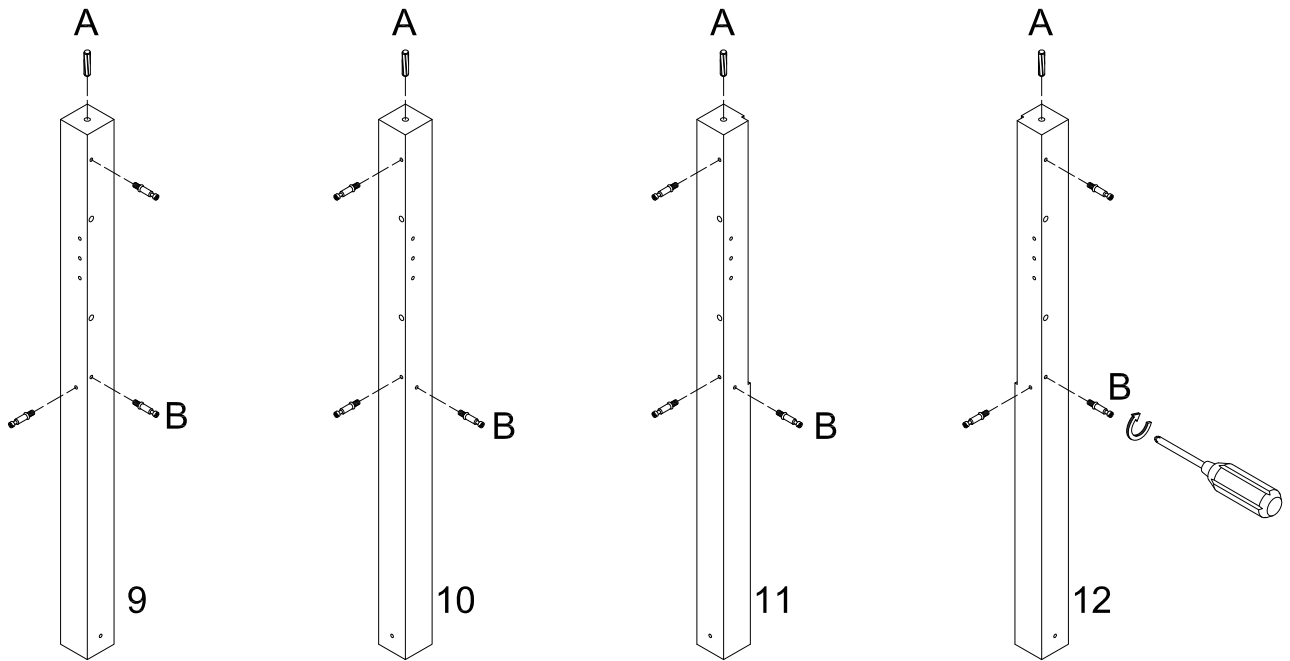
Step 1



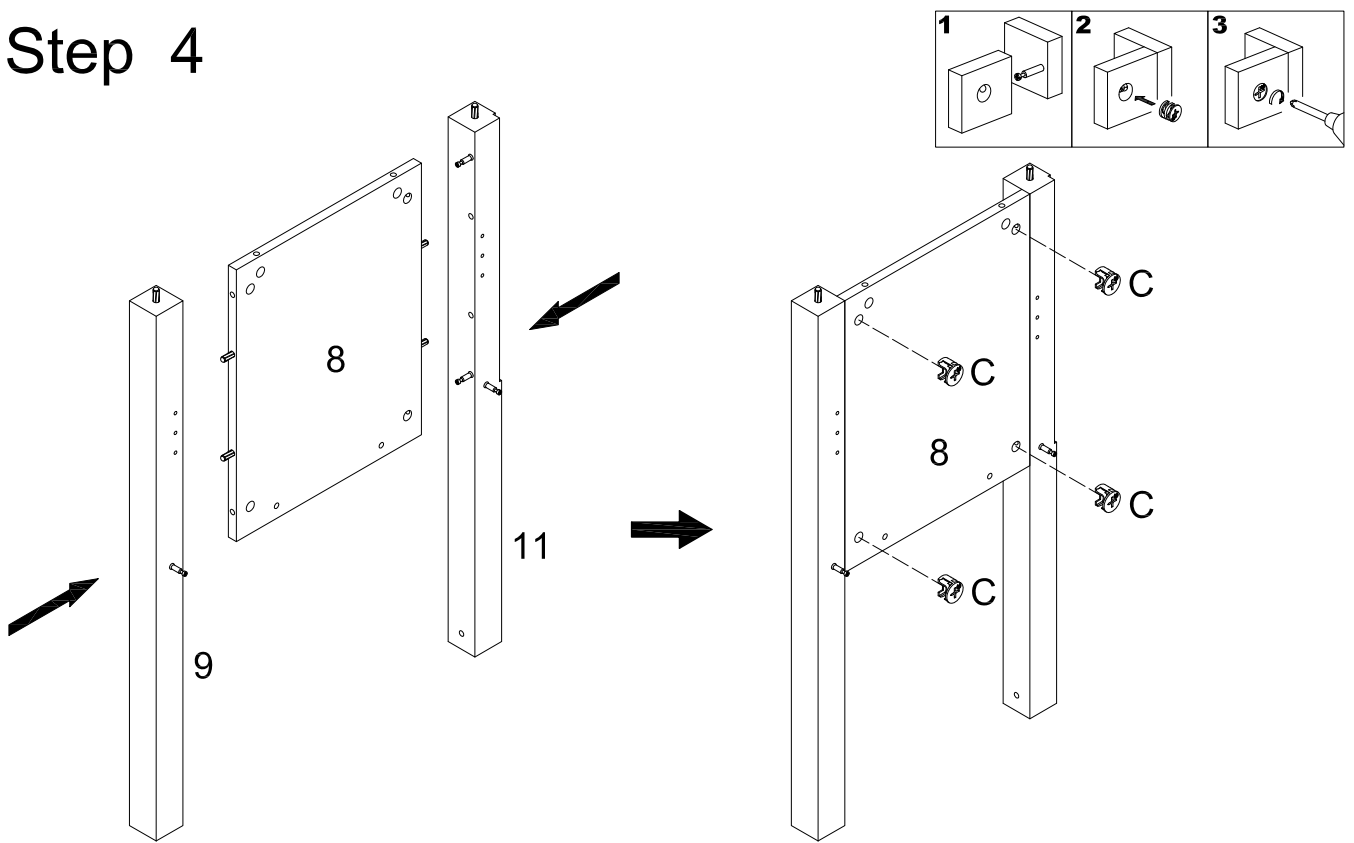
Step 2



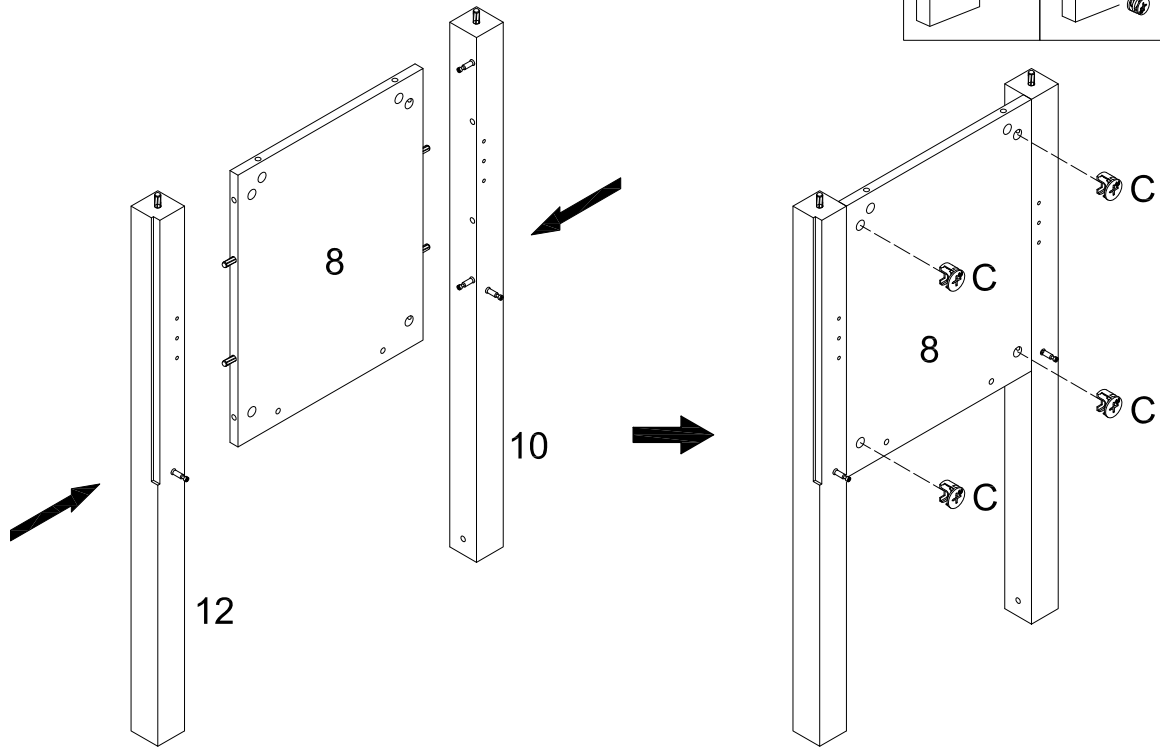
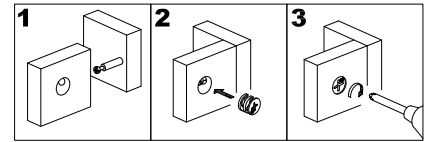
Step 3



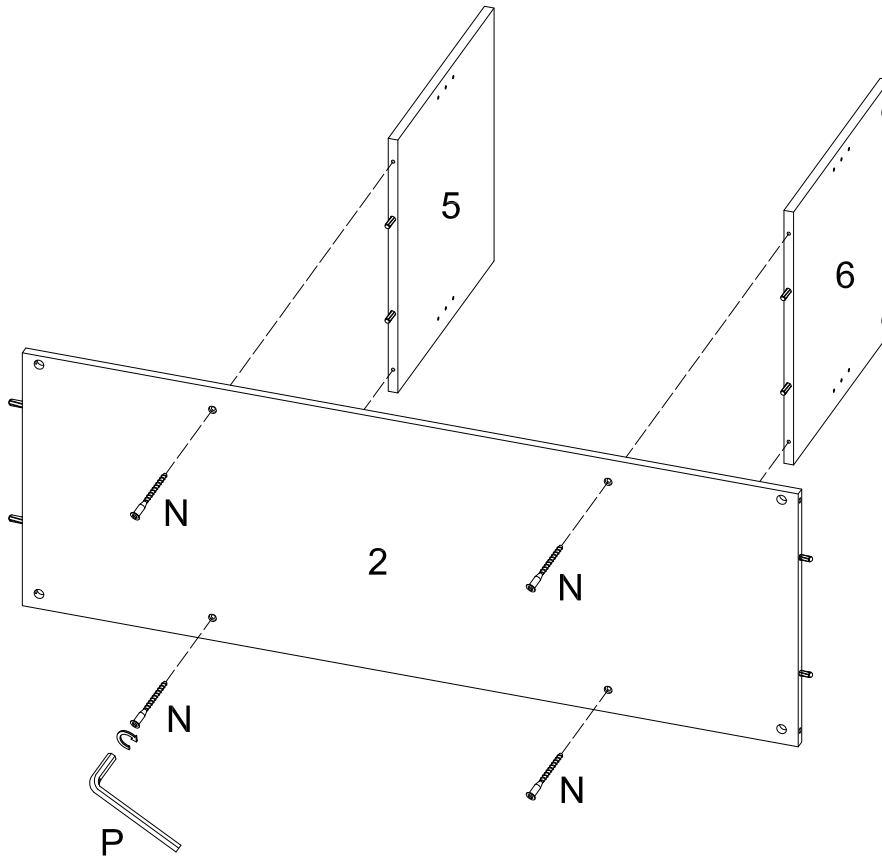
Step 4



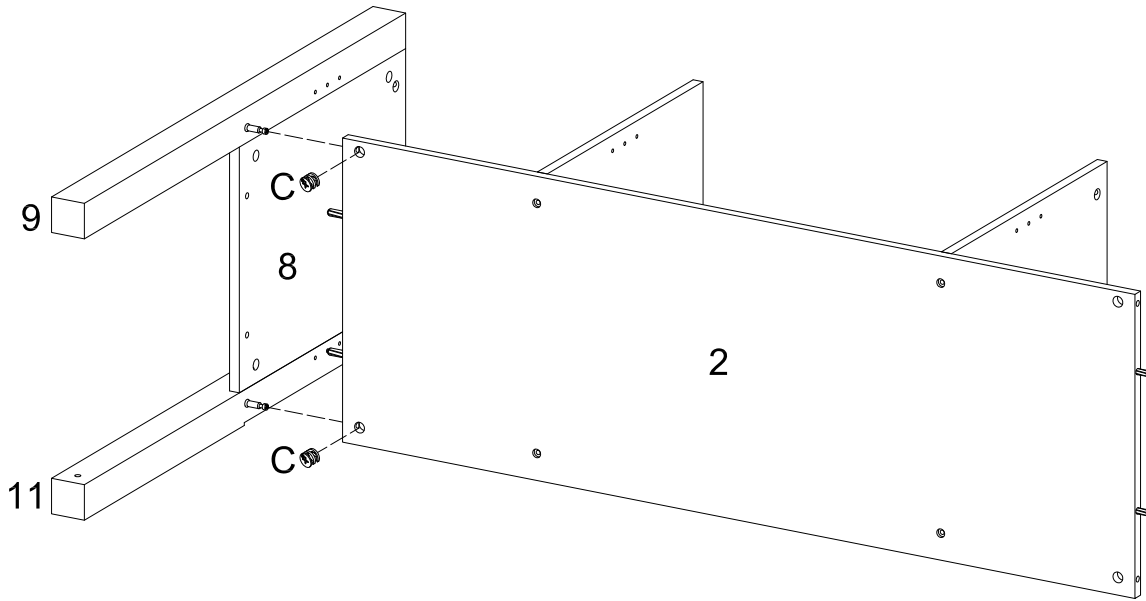
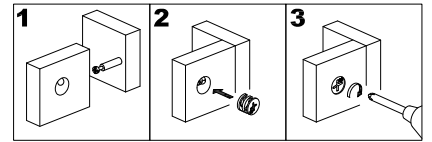
Step 5



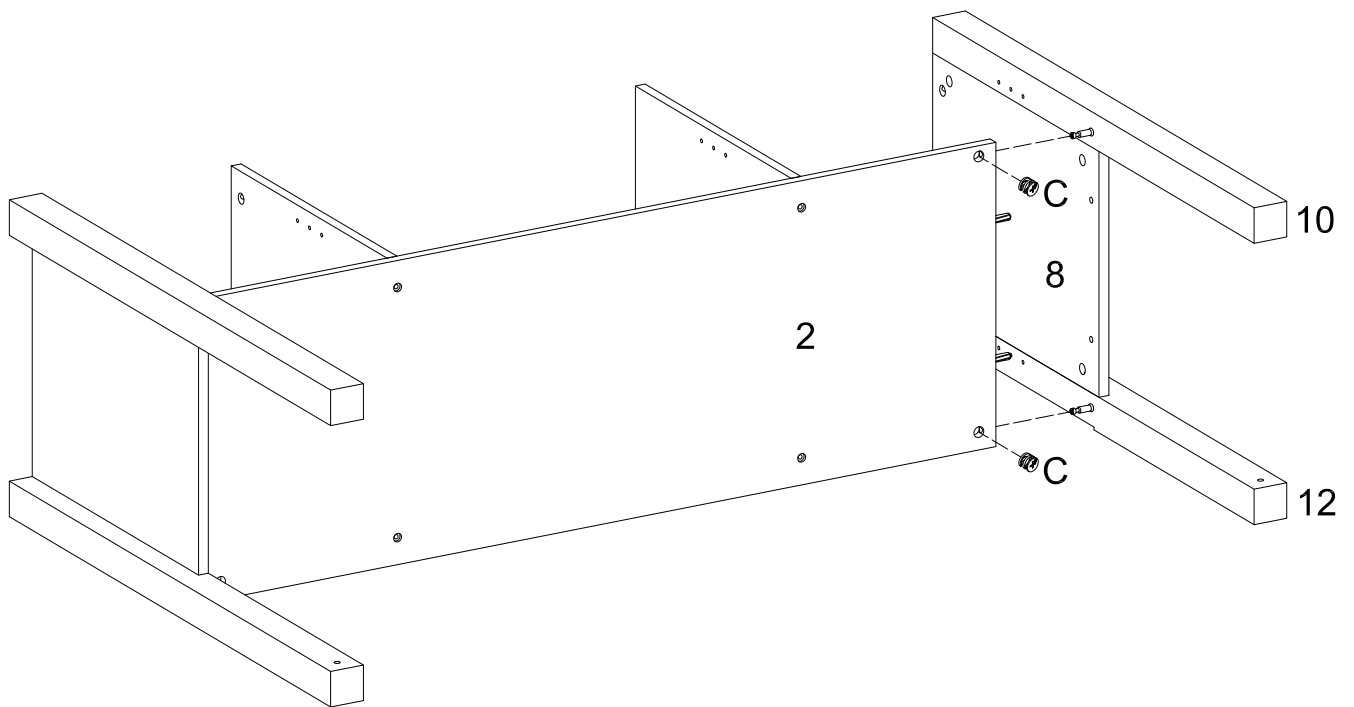
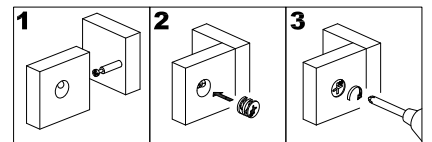
Step 6



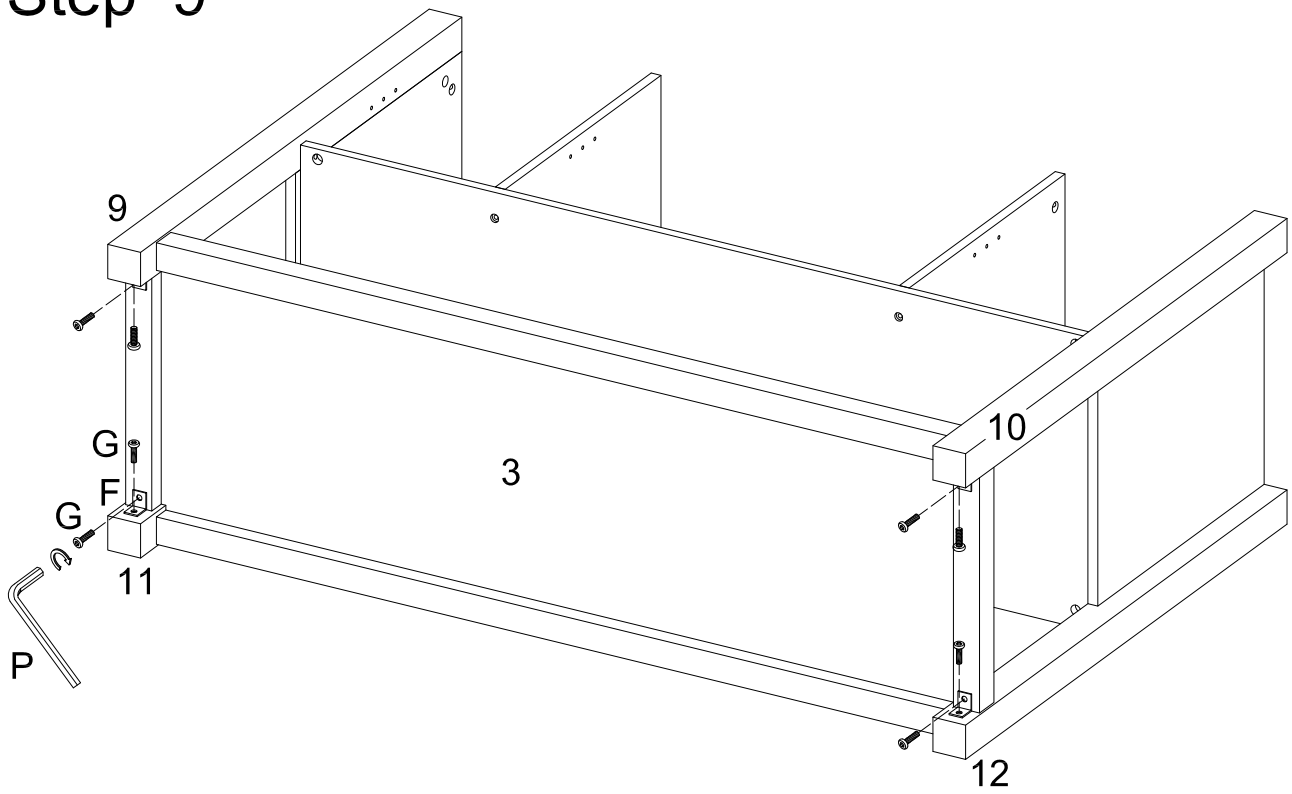
Step 7



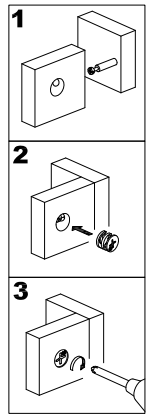
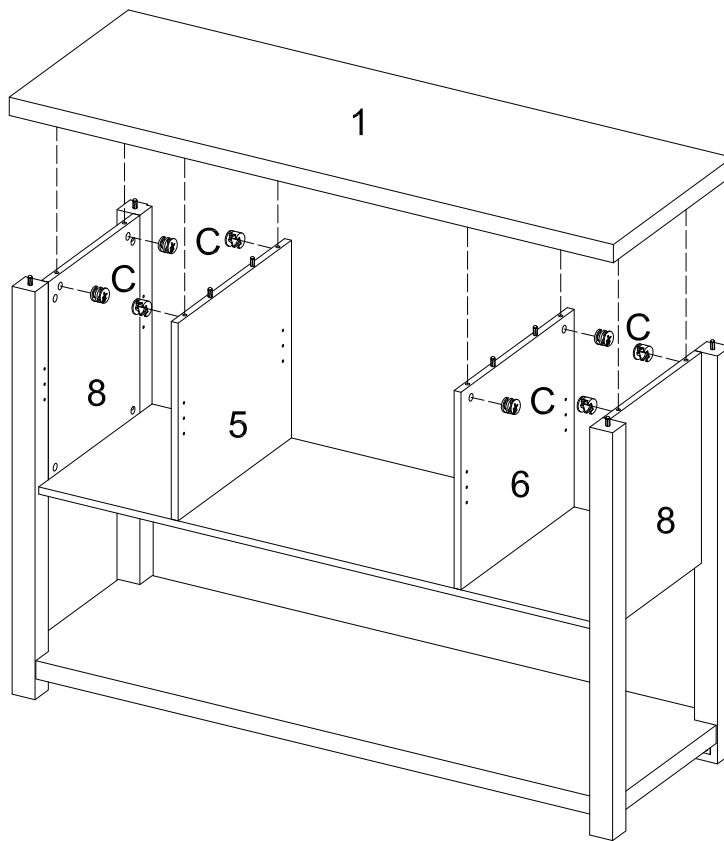
Step 8



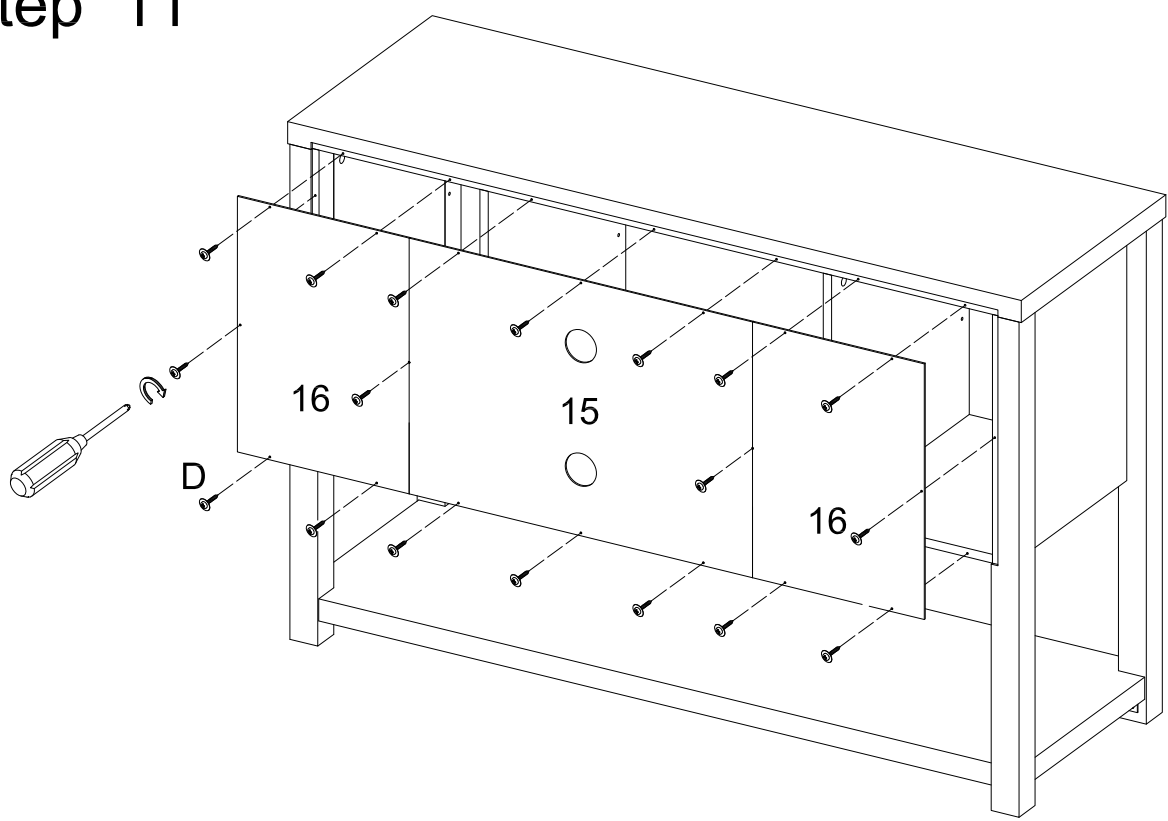
Step 9



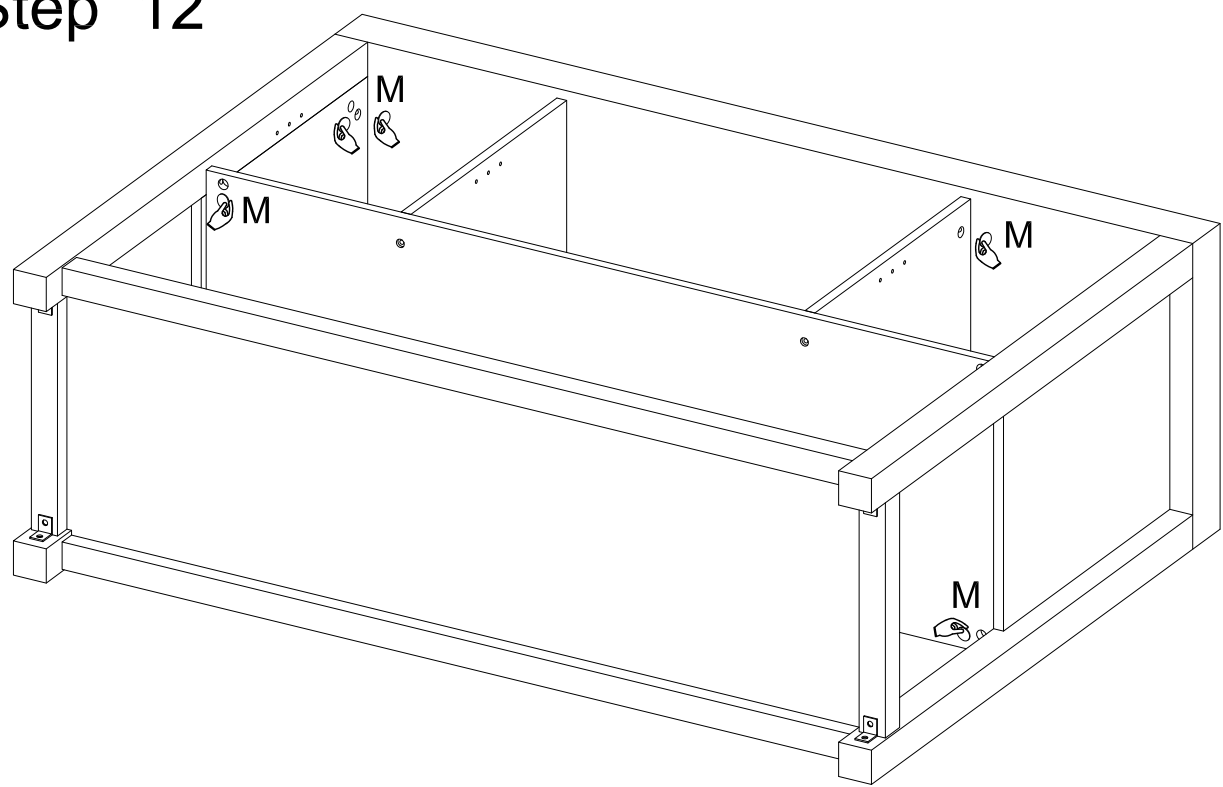
Step 10



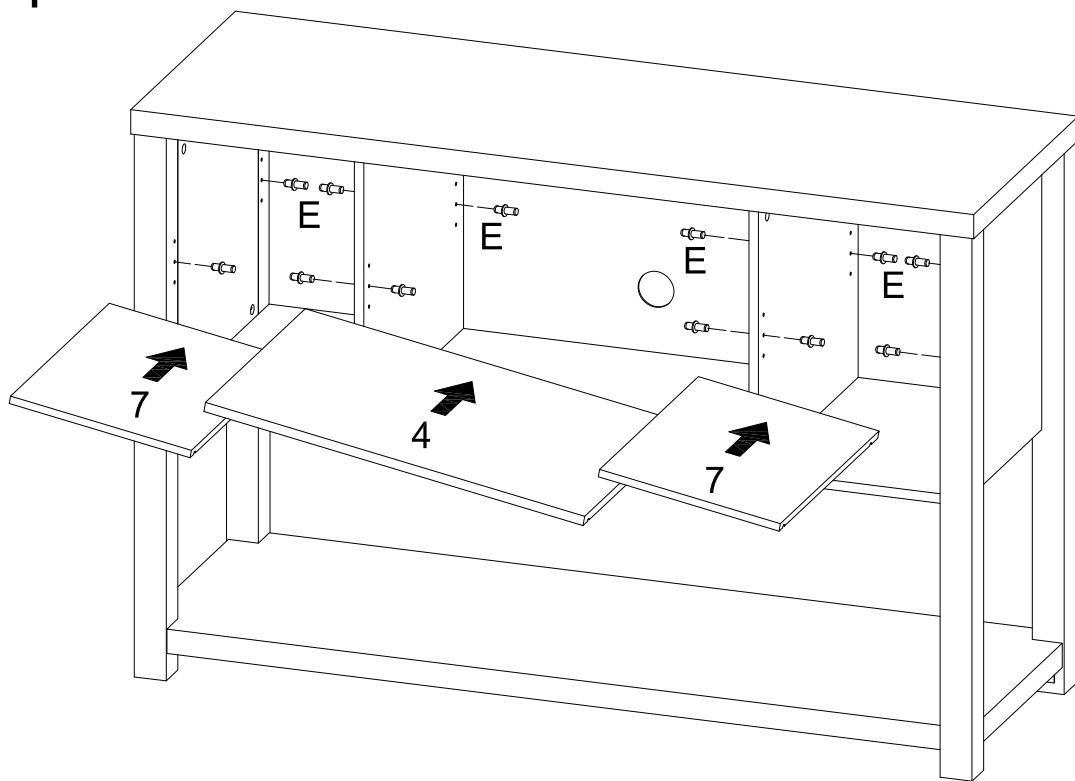
Step 11



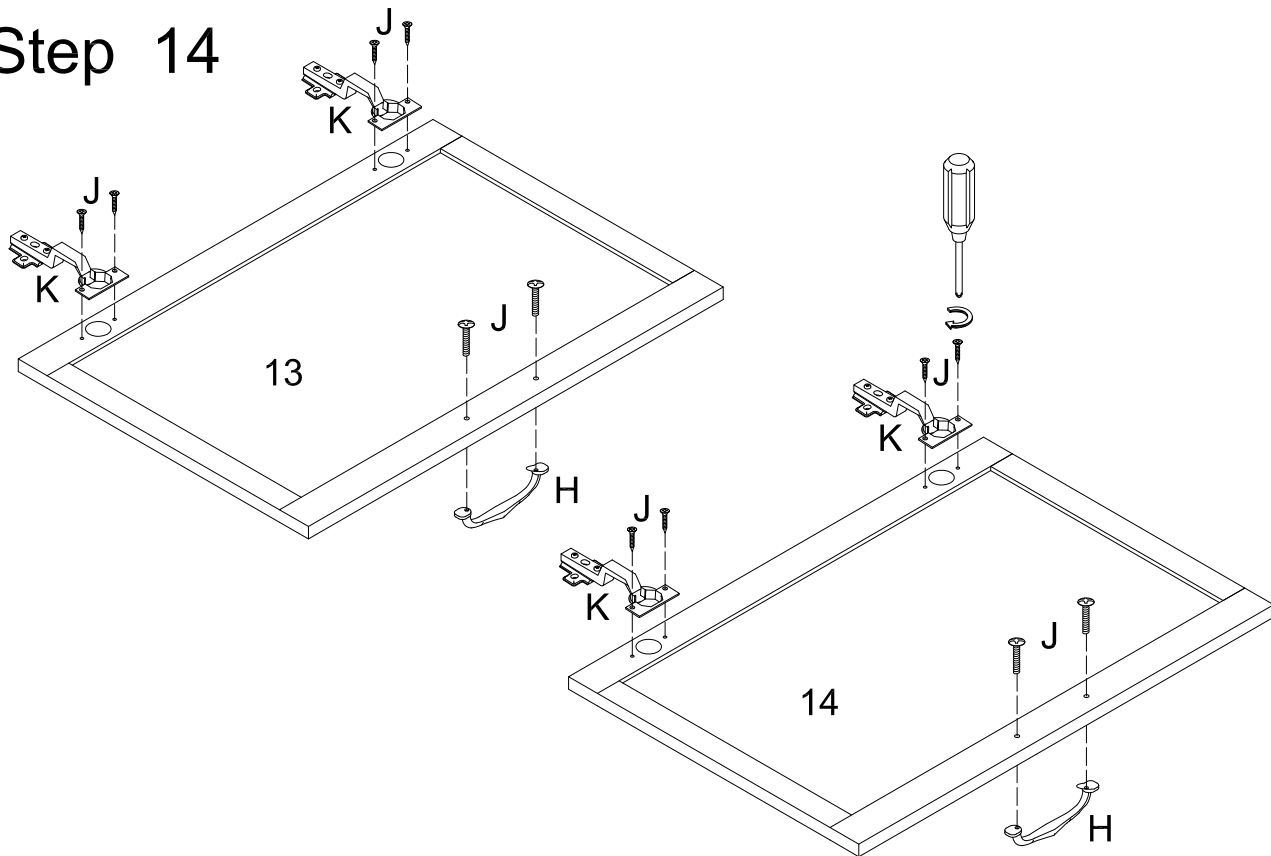
Step 12



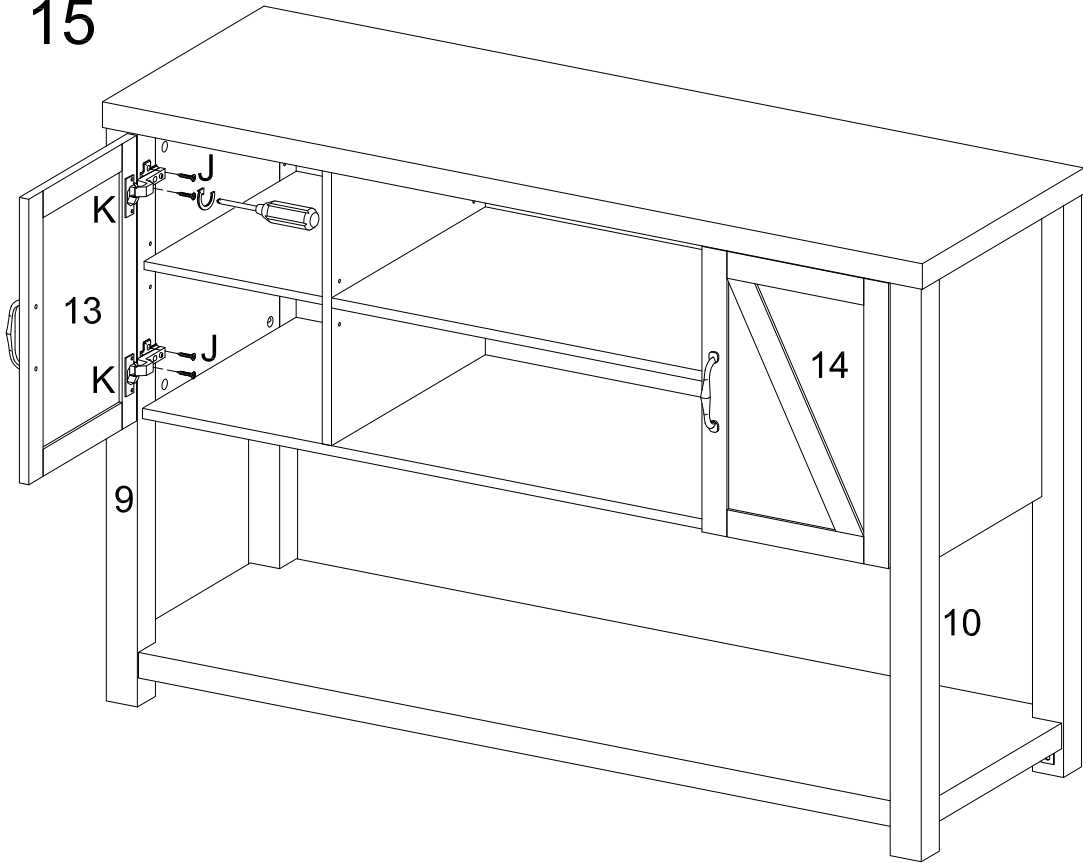
Step 13



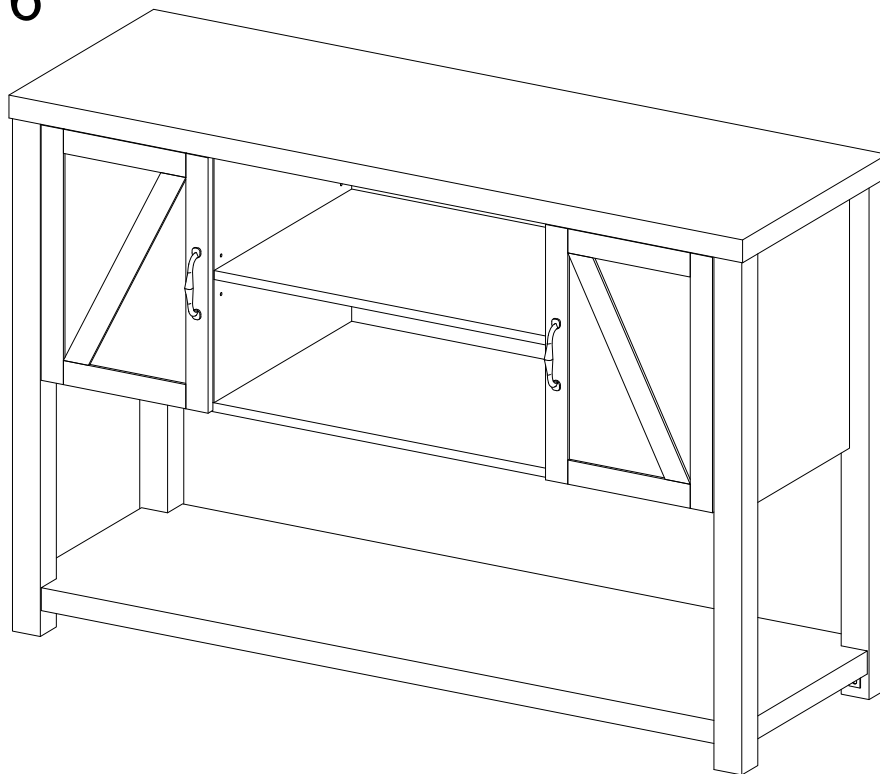
Step 14



Step 15



Step 16



Final Assembly