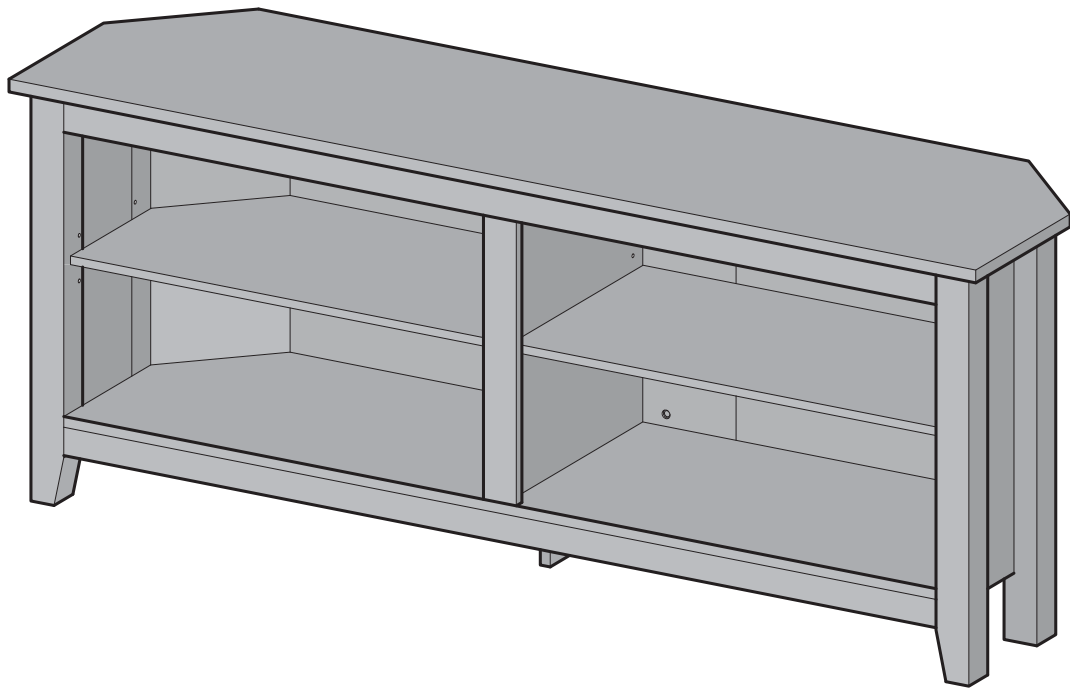




ITEM # : W58CCR
ASSEMBLY INSTRUCTION

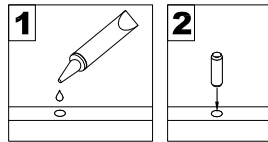


*To request missing, lost or broken parts , or for any other customer service issues,
please visit our website at www.walkeredison.com or call us at 877-207-5906.*

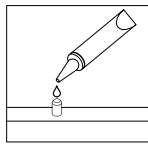
Revised 07/2016

General Assembly Guidelines

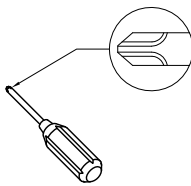
- I. Ensure that all parts and hardware are available before beginning assembly.
- II. Follow each step carefully to ensure the proper assembly of this product.
- III. Two people are recommended for ease in the assembly of this product.
- IV. The three main types of hardware used to assemble this product are : wood dowels , screws and bolts.
- V. The provided glue is to secure wood dowels in place . When first inserting dowels , locate the appropriate hole for the dowel , place a small amount of glue in the hole and insert the dowel . Wipe away excess glue immediately.



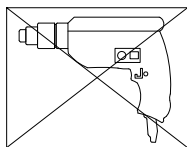
In future assembly steps when dowels are necessary to attach assembly parts together , place a small amount of glue on the end of the dowel before attaching parts together . Wipe away excess glue immediately.



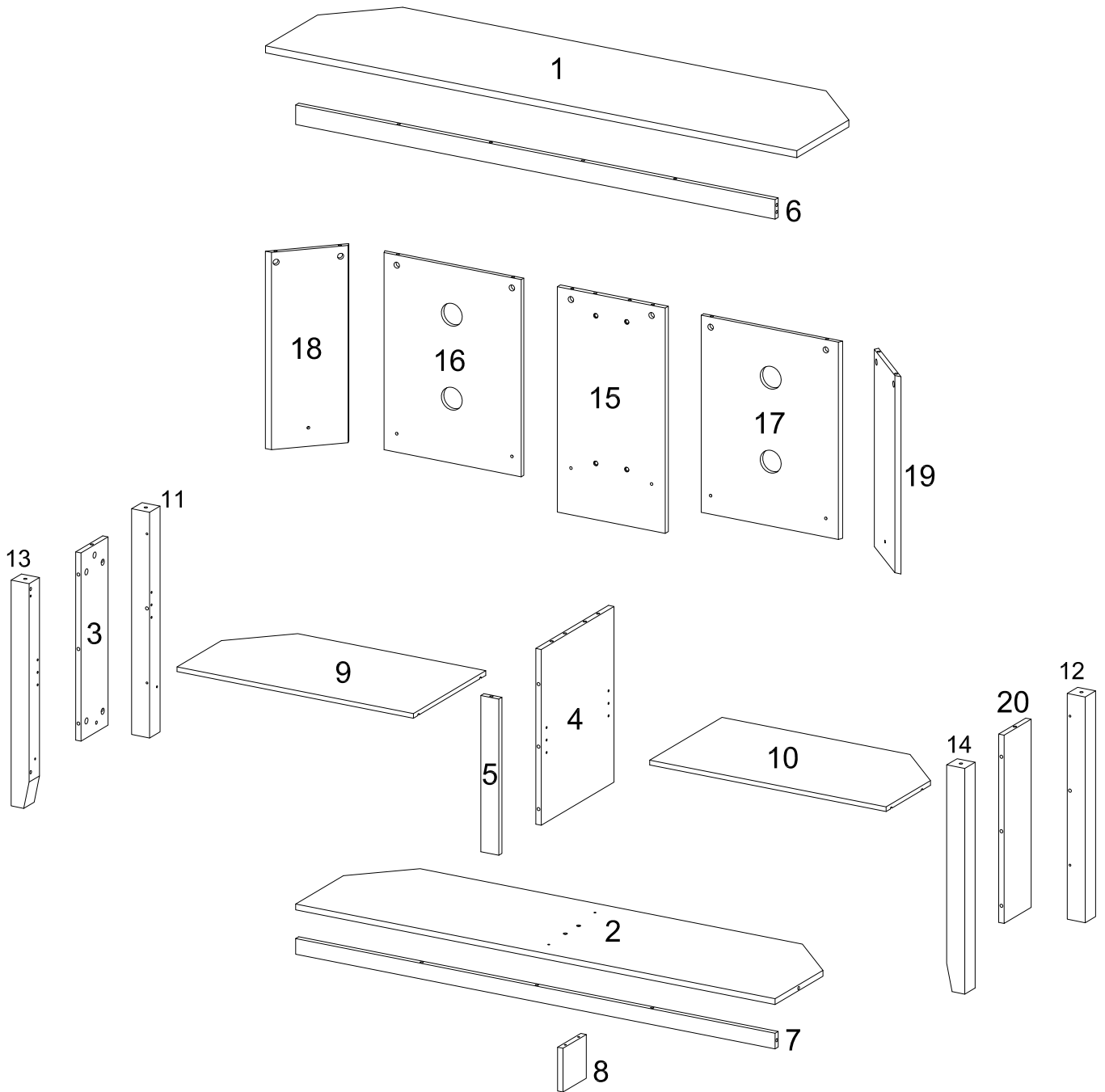
- VI. A Phillips head screwdriver is required for the assembly of this product .






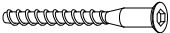




- VII. Power tools should not be used to assemble this product .



Parts List

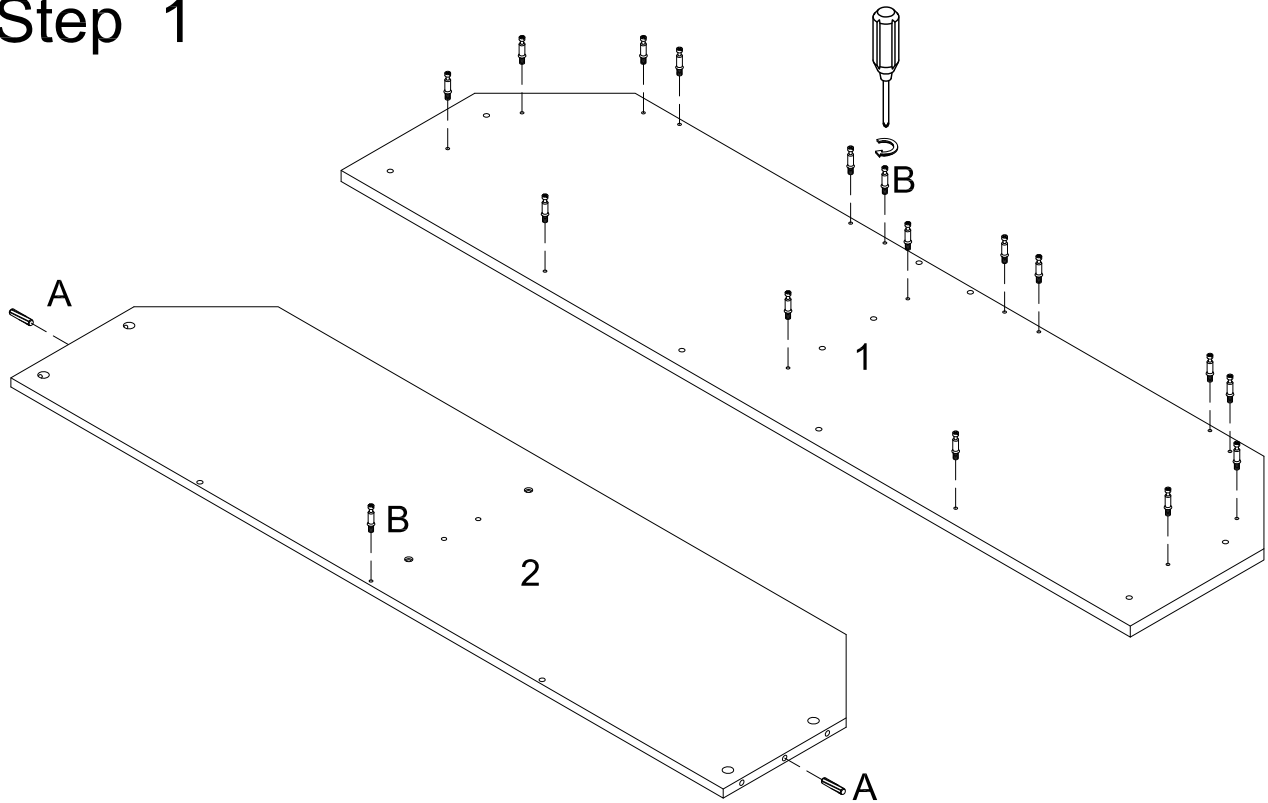


Hardware List

A		Ø8x30	Wooden dowel	24 pcs
B		Ø6x35	Cam bolt	33 pcs
C		Ø15x12	Cam lock	23 pcs
D		Ø15x9.5	Cam lock	10 pcs
E		Ø6x50	Bolt	12 pcs
F			Shelf support pin	8 pcs
G		M4	Wrench	1 pc
H			Glue tube	1 pc
J		Ø30	Sticker	33 pcs

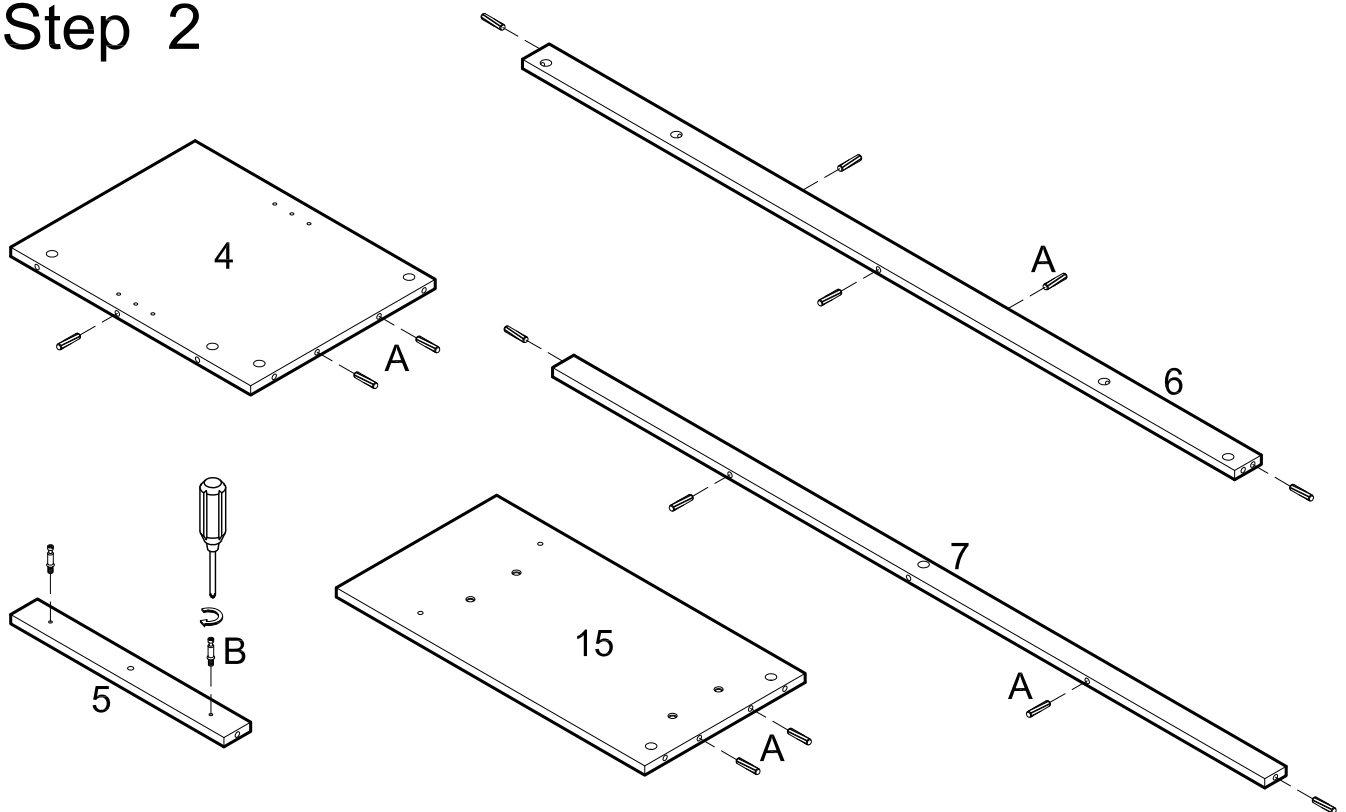
*The hardware quantities listed above are required for proper assembly.
Some extra hardware may also have been included.*

Step 1



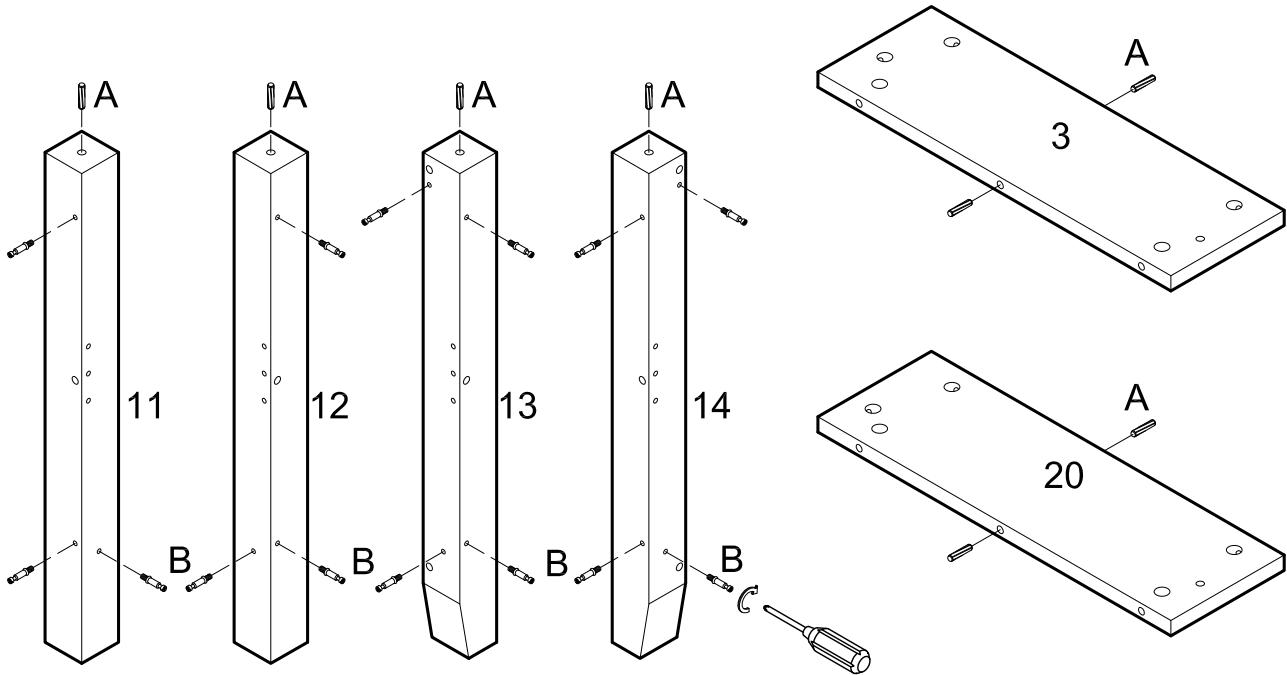
Insert dowels (A) into panel (2). Screw cam bolts (B) into panels (1,2).

Step 2



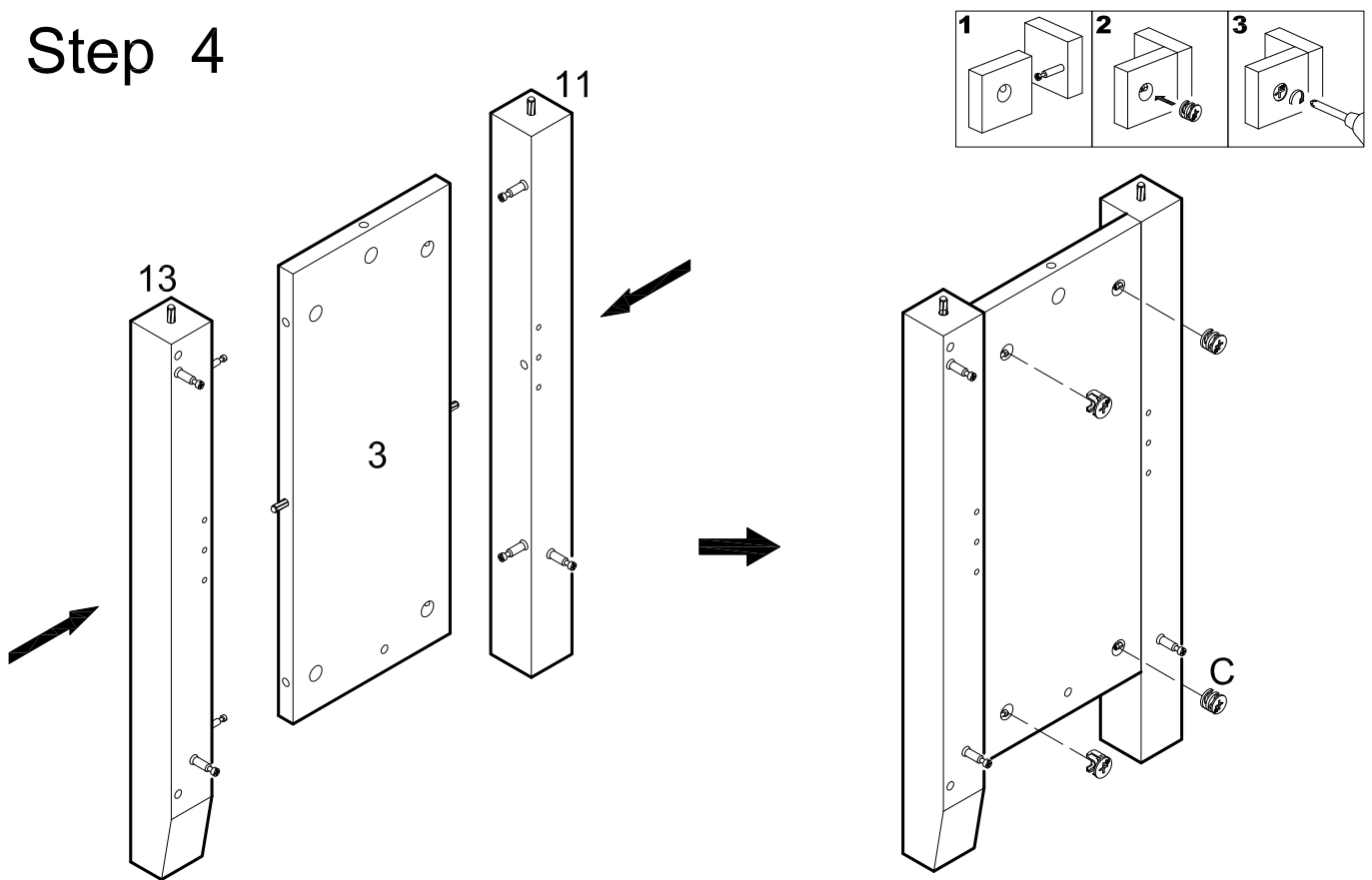
Insert dowels (A) into panel (4,15) and slats (6,7). Screw cam bolts (B) into slat (5).

Step 3



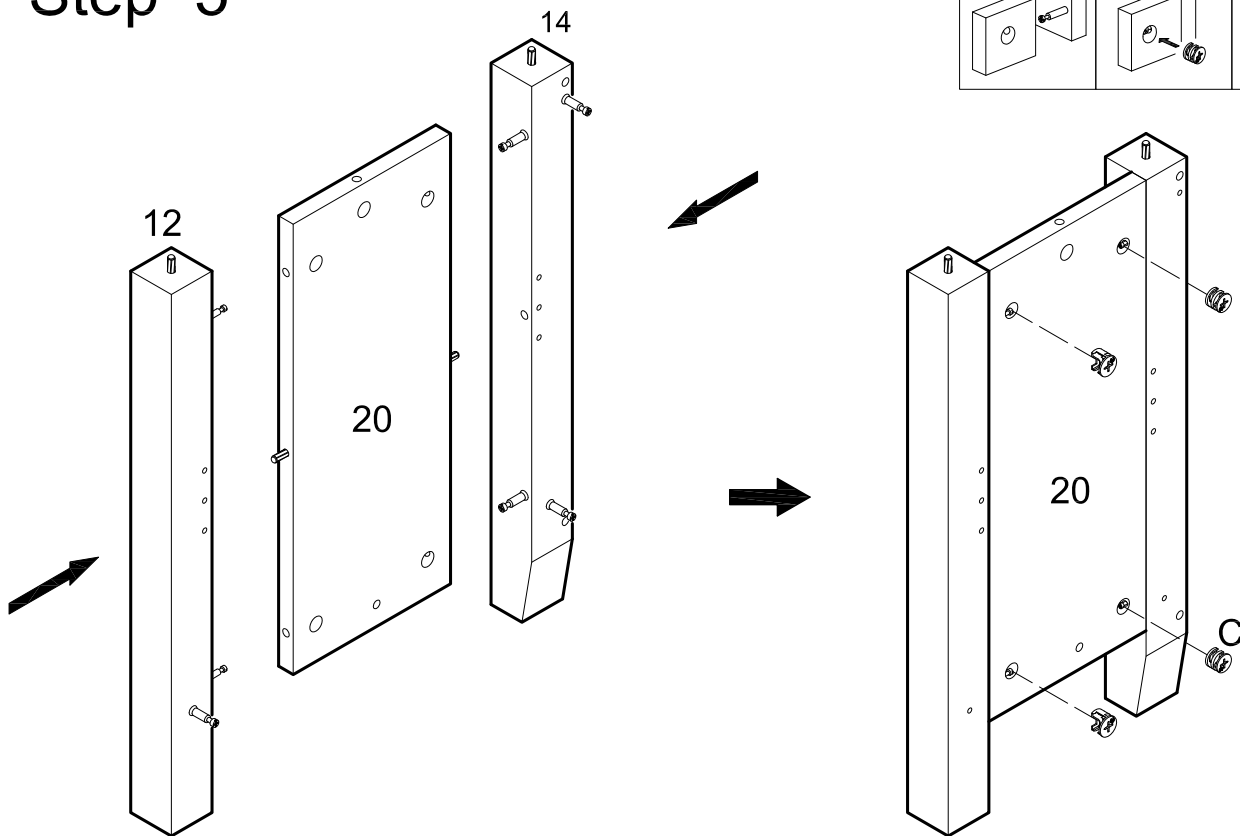
Insert dowels (A) into legs (11,12,13,14) and panels (3,20). Screw cam bolts (B) into legs (11,12,13,14).

Step 4



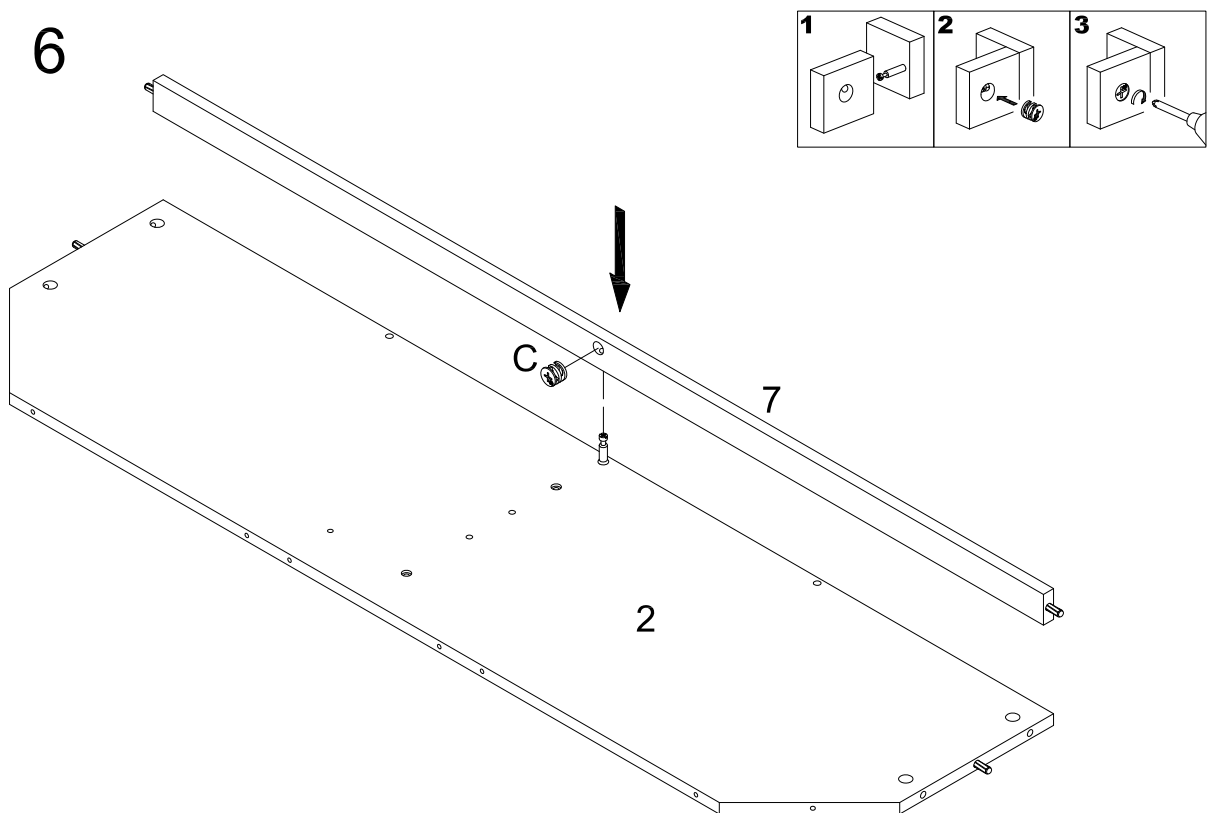
Attach legs (11,13) to panel (3) using cam bolts and dowels as guides. Insert cam locks (C) into panel (3) and tighten with a screwdriver.

Step 5



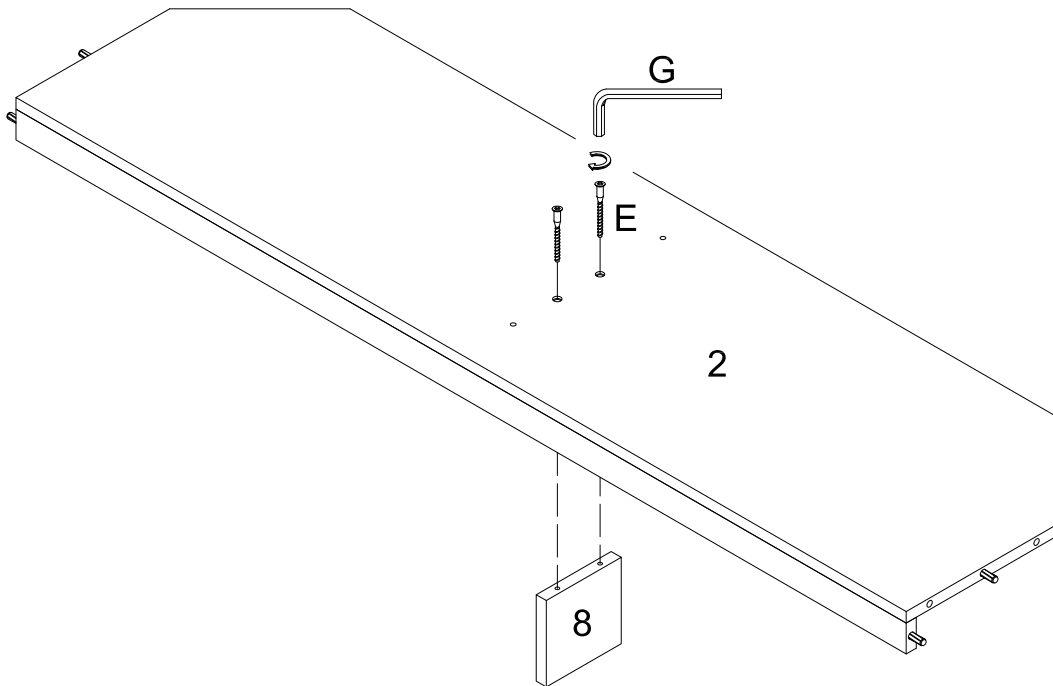
Attach legs (12,14) to second panel (20) using cam bolts and dowels as guides. Insert cam locks (C) into panel (20) and tighten with a screwdriver.

Step 6



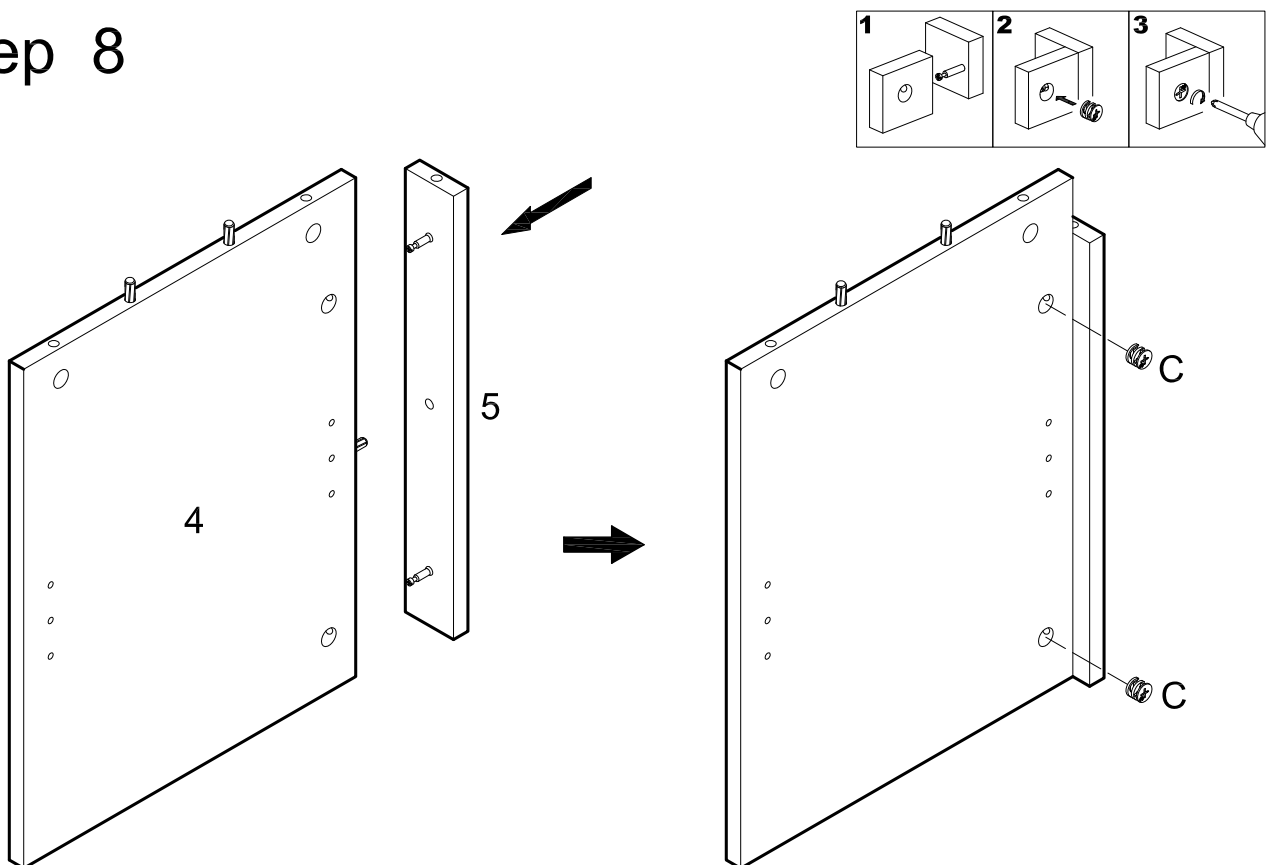
Attach slat (7) to panel (2) using cam bolt and dowels as guides. Insert cam lock (C) into slat (7) and tighten with a screwdriver.

Step 7



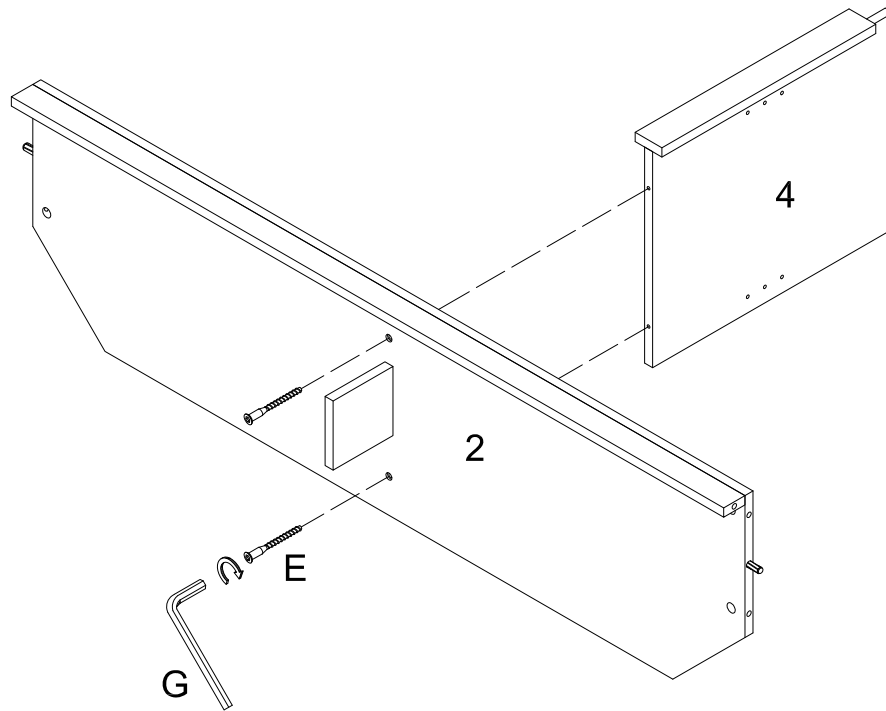
Attach support leg (8) to panel (2) using bolts (E). Tighten bolts (E) with wrench (G).

Step 8



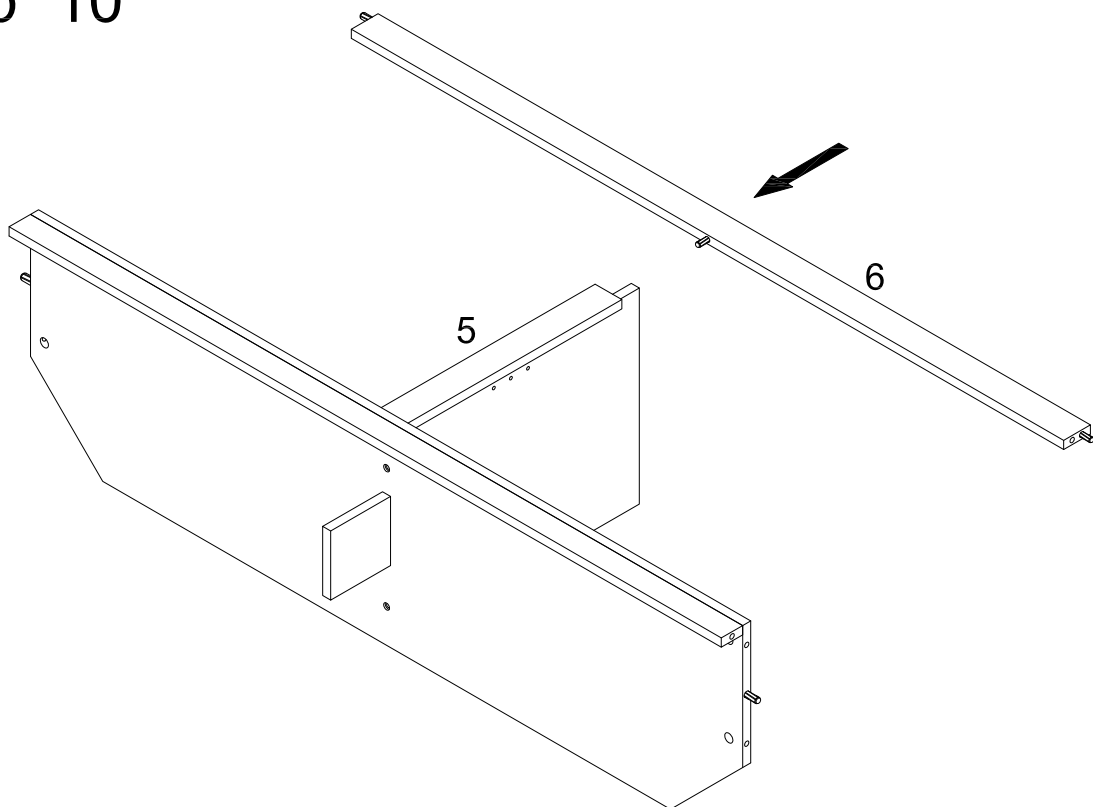
Attach slat (5) to panel (4) using cam bolts and dowel as guides. Insert cam locks (C) into panel (4) and tighten with a screwdriver.

Step 9



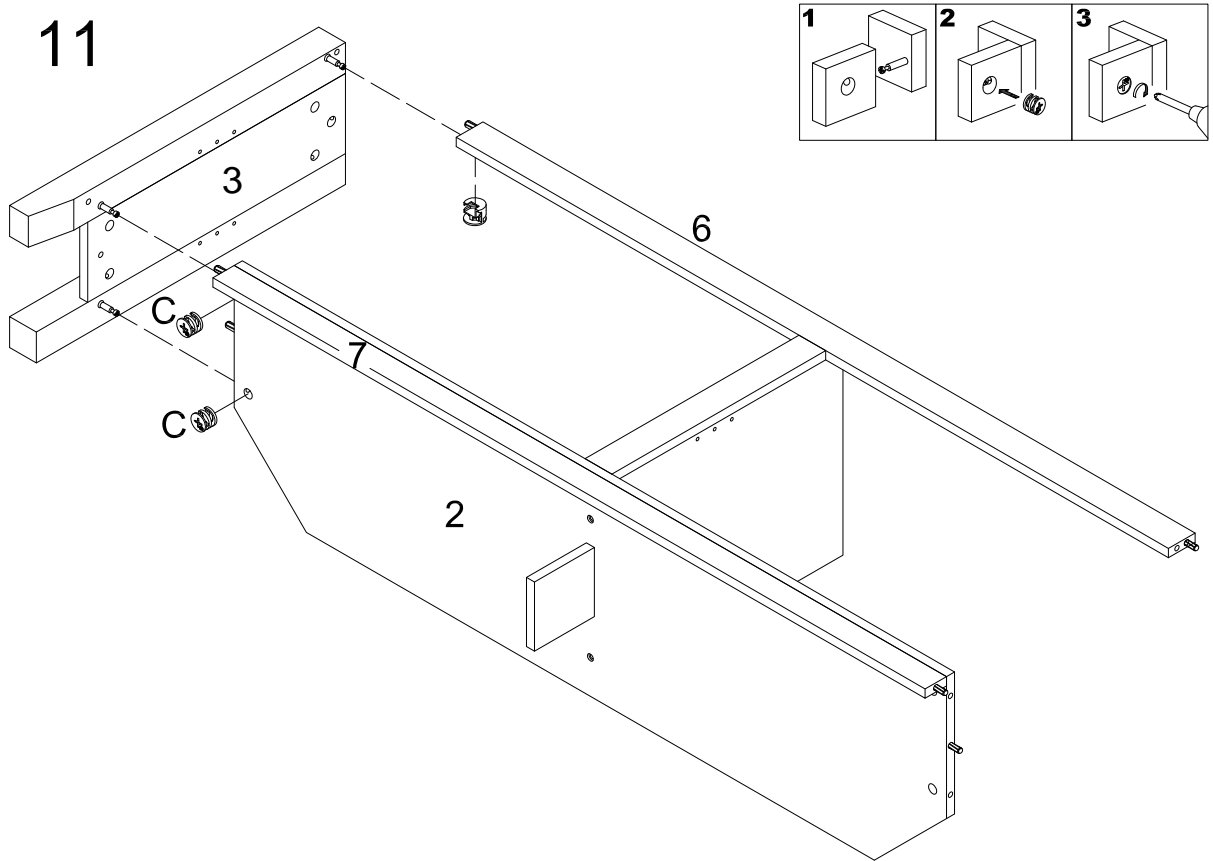
Attach panel (4) to panel (2) using bolts (E). Tighten bolts (E) with wrench (G).

Step 10



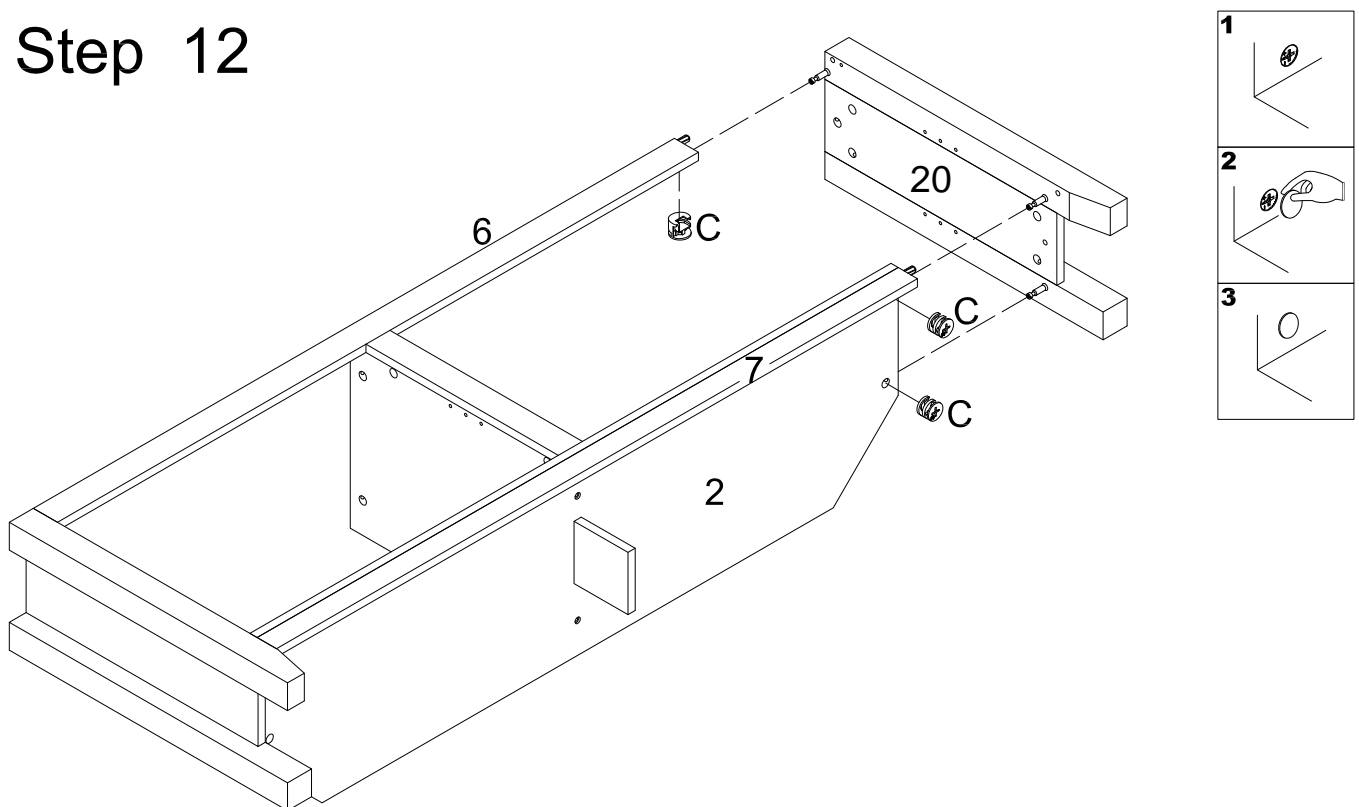
Attach slat (6) to slat (5) using dowel as guide.

Step 11



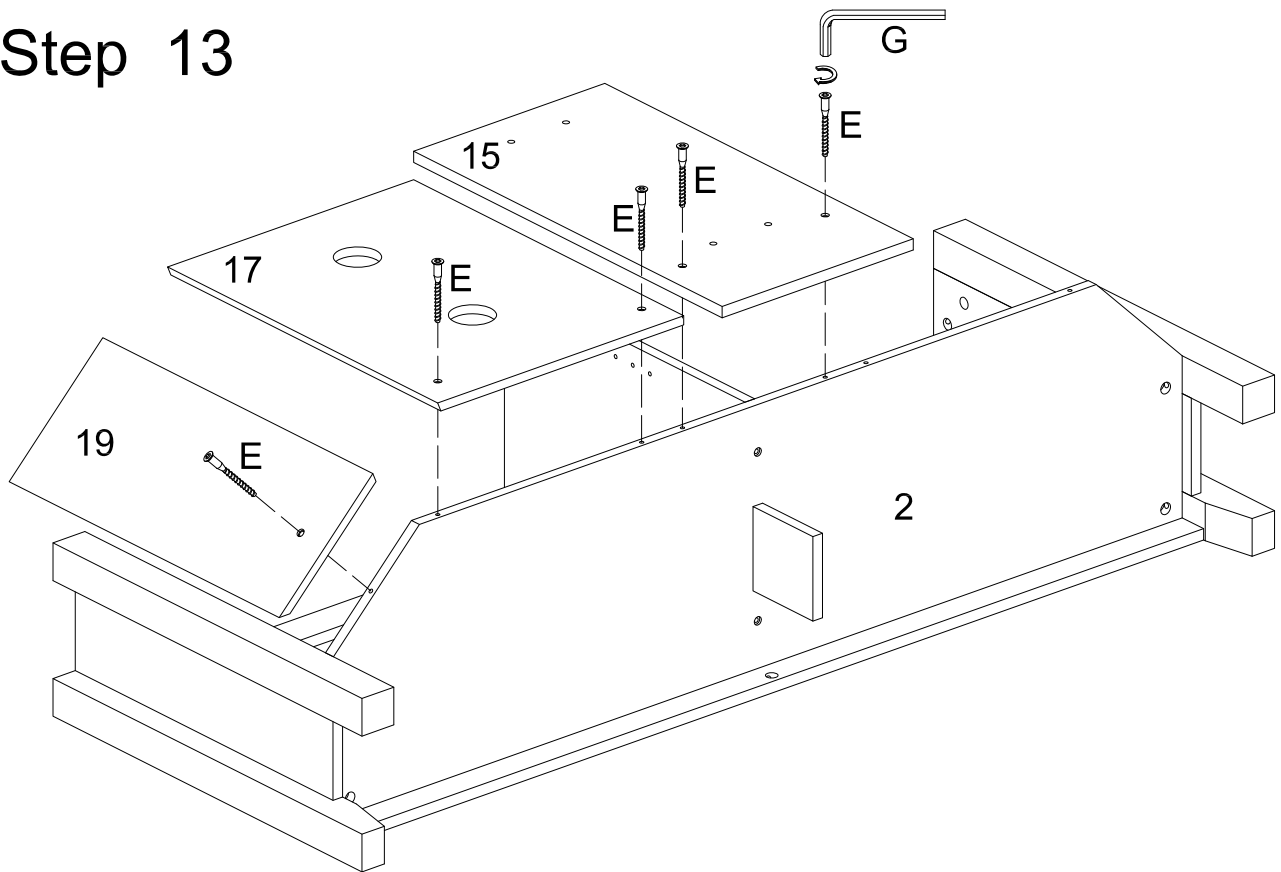
Attach panel (3) with legs (11,13) to the assembly from the previous step using cam bolts and dowels as guides. Insert cam locks (C) into panel (2) and slat (6) and tighten with a screwdriver.

Step 12



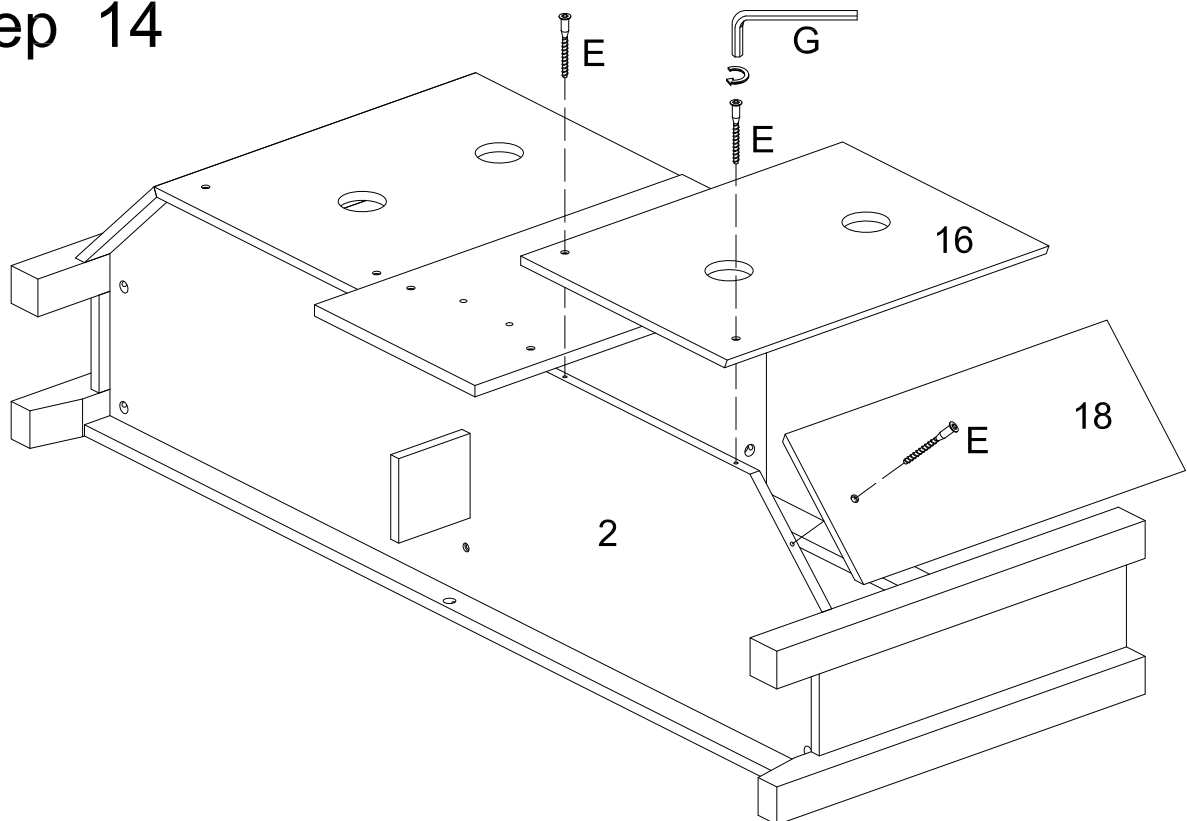
Attach second panel (12) with legs (12,14) to the assembly from the previous step using cam bolts and dowels as guides. Insert cam locks (C) into panel (2) and slat (6) and tighten with a screwdriver.

Step 13



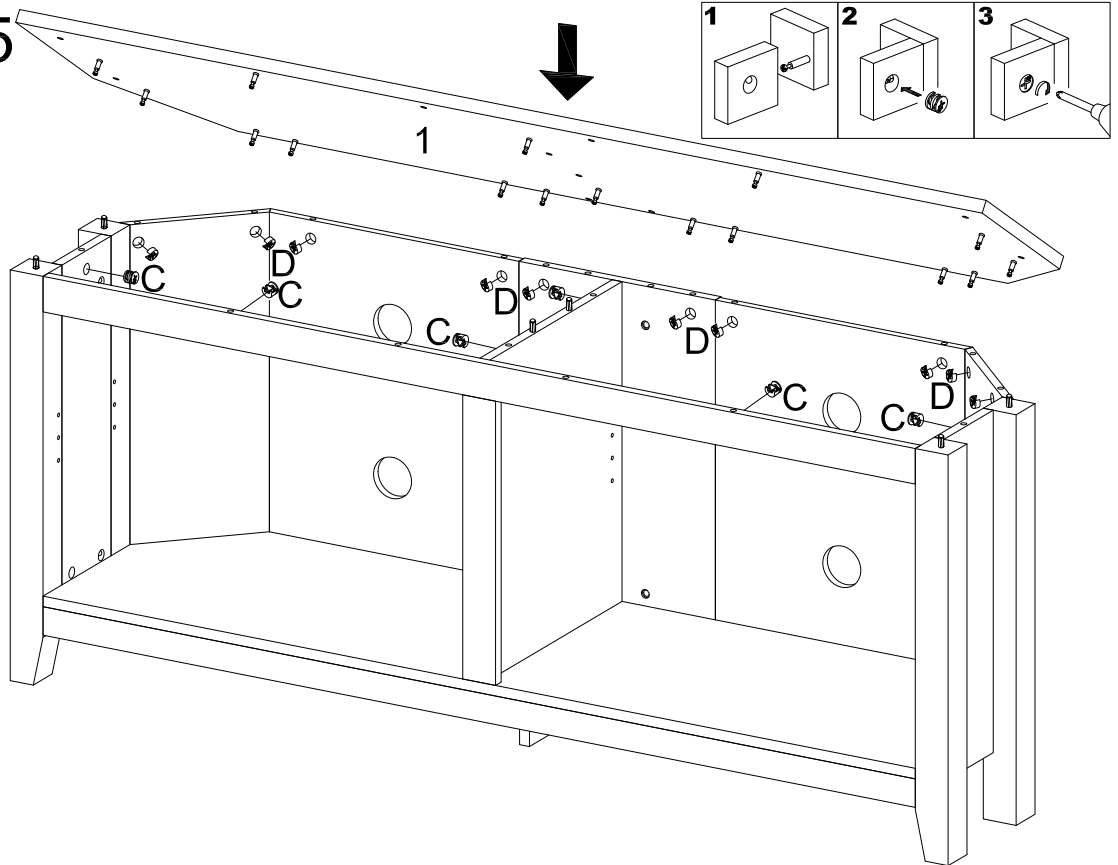
Place the back panel (15,17,19) on the unit and secure it to the bottom panel (2) with bolt (E) and wrench (G).

Step 14



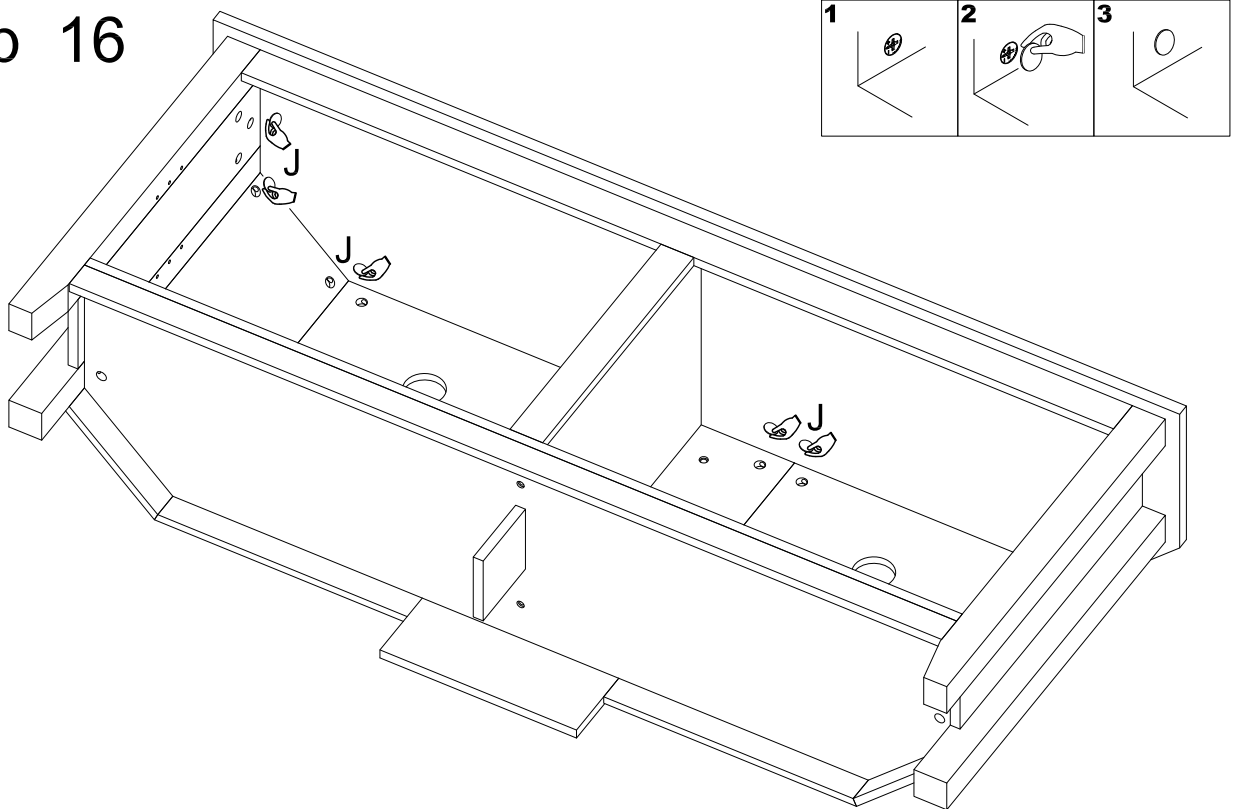
Place the back panel (16,18) on the unit and secure it to the bottom panel (2) with bolt (E) and wrench (G).

Step 15



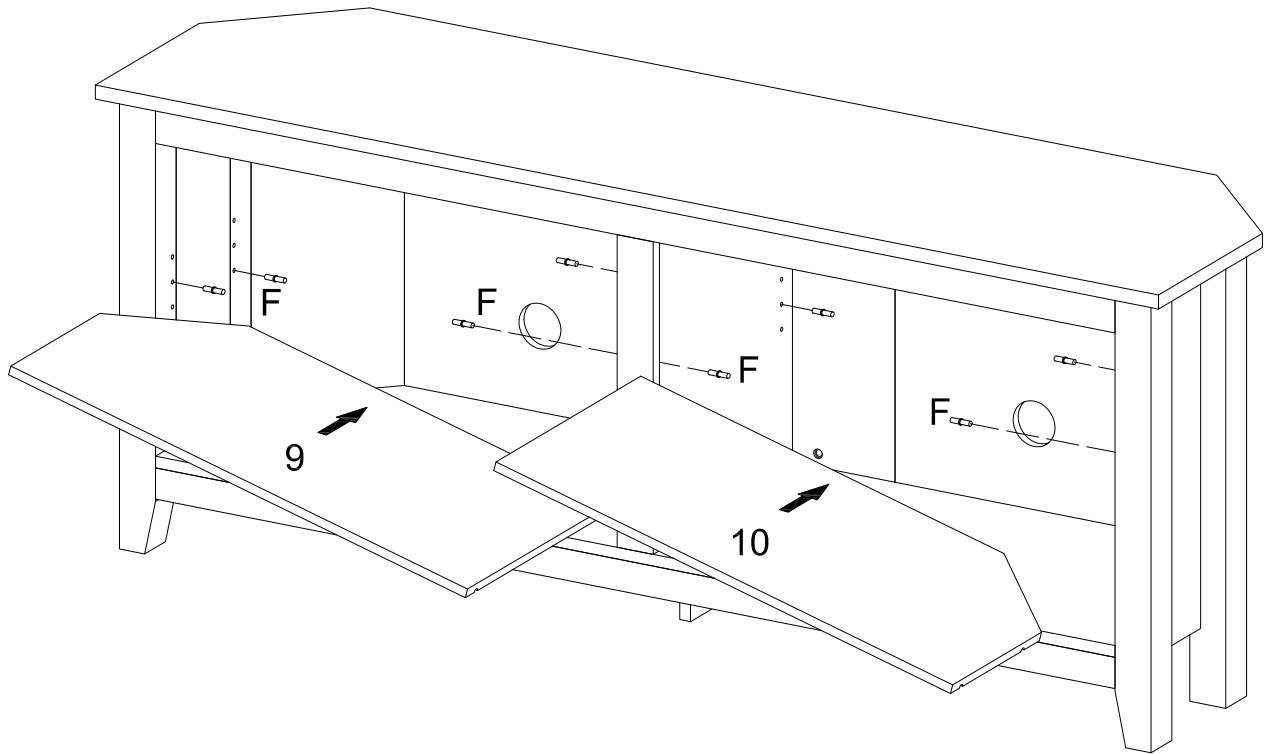
Carefully attach panel (1) to the assembly using cam bolts and dowels as guides. Insert cam locks (C,D) into the assembly as shown above and tighten with a screwdriver.

Step 16



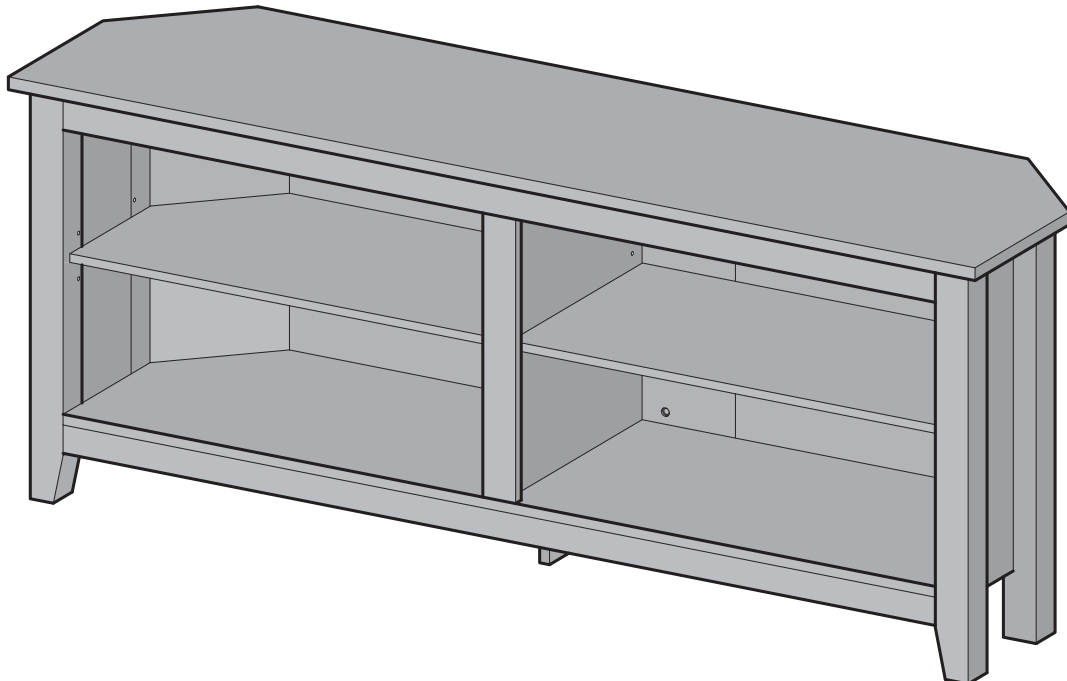
Cover all visible cam locks with stickers (J) as desired.

Step 17



Insert shelf support pins (F) into the assembly at desired shelf heights. Carefully place shelves (9,10) on shelf support pins (F).

Step 18



Final Assembly