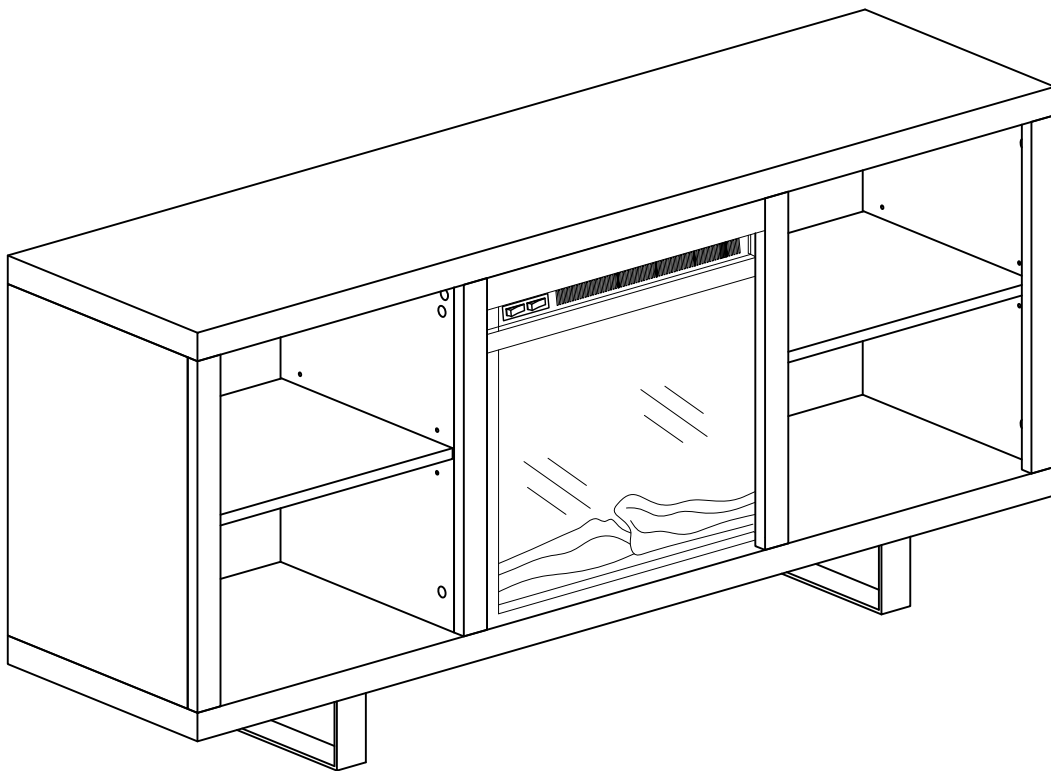


**W** Walker<sup>®</sup>  
**E** Edison  
furniture company

Item # : W58FP18SM  
Assembly Instructions

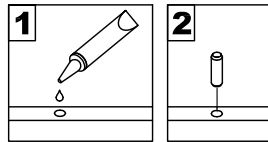


*Please visit our website for the most current instructions, assembly tips, report damage, or request parts. [www.walkeredison.com](http://www.walkeredison.com)*

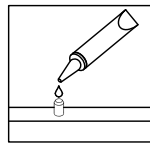
Revised 04/2017

# General Assembly Guidelines

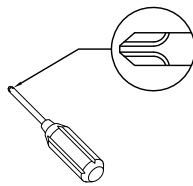
- I. Ensure that all parts and hardware are available before beginning assembly.
- II. Follow each step carefully to ensure the proper assembly of this product.
- III. Two people are recommended for ease in the assembly of this product.
- IV. The three main types of hardware used to assemble this product are : wood dowels , screws and bolts.
- V. The provided glue is to secure wood dowels in place . When first inserting dowels , locate the appropriate hole for the dowel , place a small amount of glue in the hole and insert the dowel . Wipe away excess glue immediately.



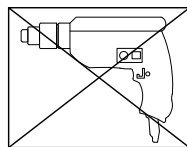
In future assembly steps when dowels are necessary to attach assembly parts together , place a small amount of glue on the end of the dowel before attaching parts together . Wipe away excess glue immediately.



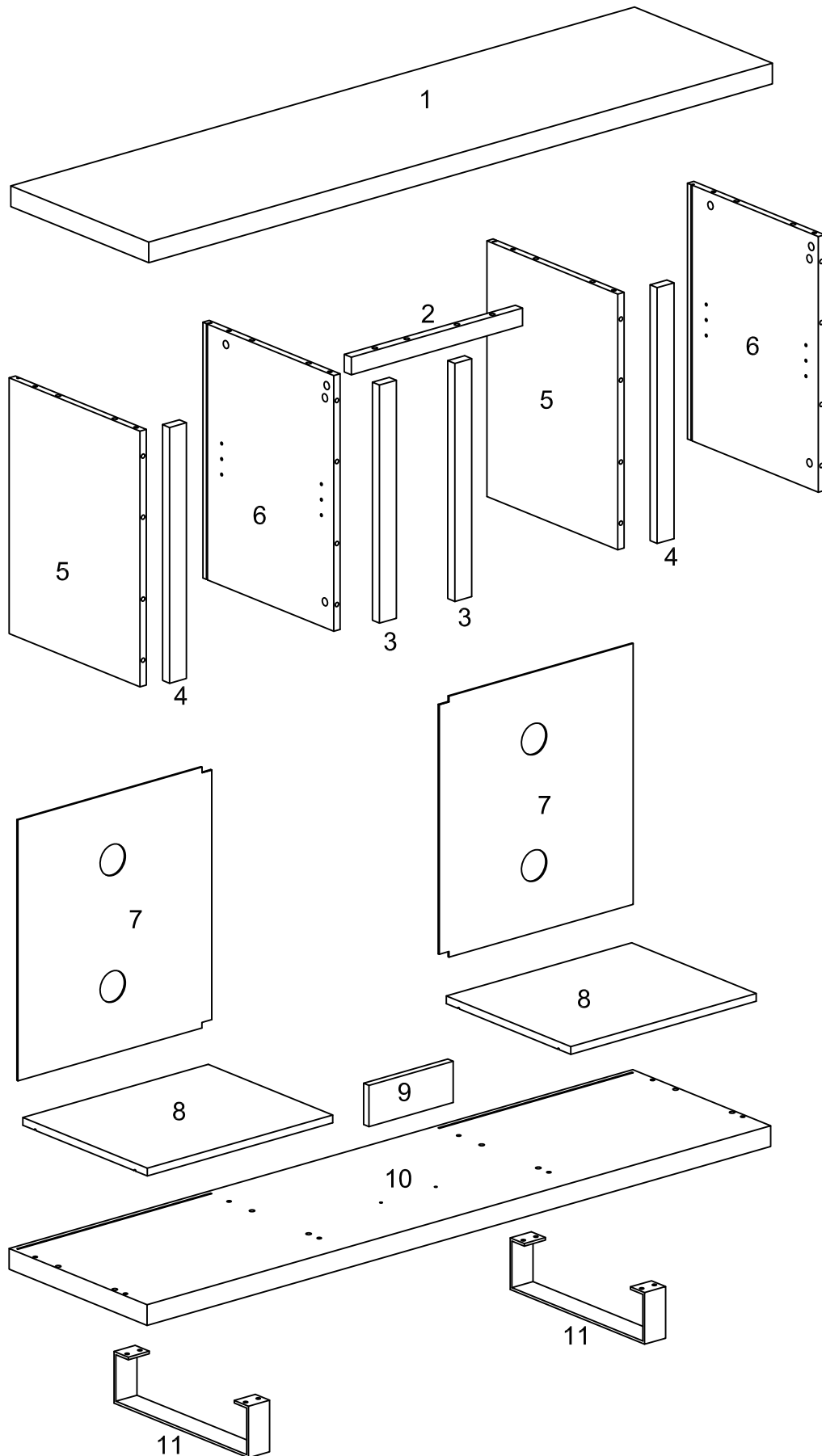
- VI. A Phillips head screwdriver is required for the assembly of this product .




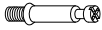


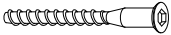
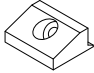

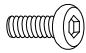



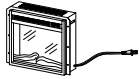
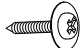
- VII. Power tools should not be used to assemble this product .

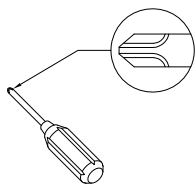


# Parts List



# Hardware List

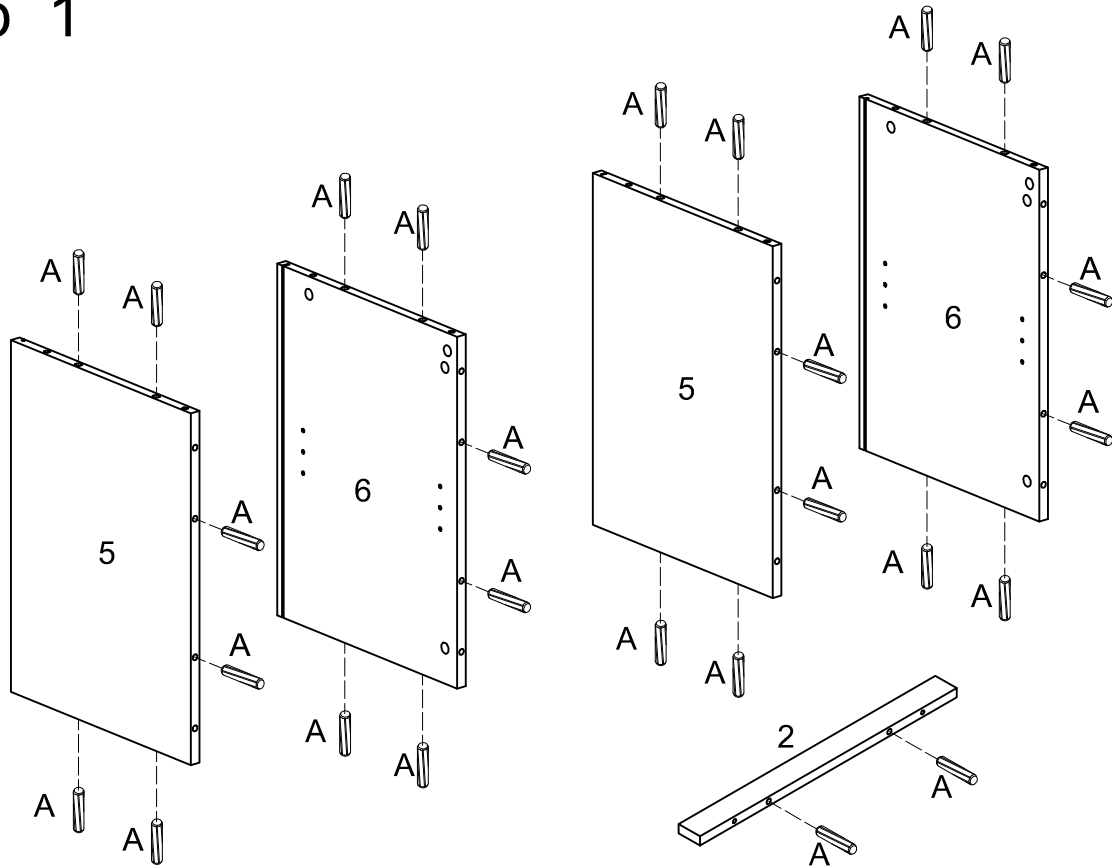
A		Ø8x30	Wooden dowel	26 pcs
B		Ø6x35	Cam bolt	20 pcs
C		Ø15x11	Cam lock	20 pcs
D		Ø5x16	Shelf support pin	8 pcs
E		Ø6*50	Bolt	8 pcs
F			Plastic wedge	8 pcs
G		Ø3x17	Flat-head screw	8 pcs
H		Ø6x16	Bolt	8 pcs
J		Ø30	Sticker	22 pcs
K			Glue tube	1 pcs
L		M4	Wrench	1 pcs
M			Fireplace Insert (F18V66L)	1 pcs
N		Ø3x12	Screw	6 pcs



Philips head screwdriver required for assembly  
(not included)

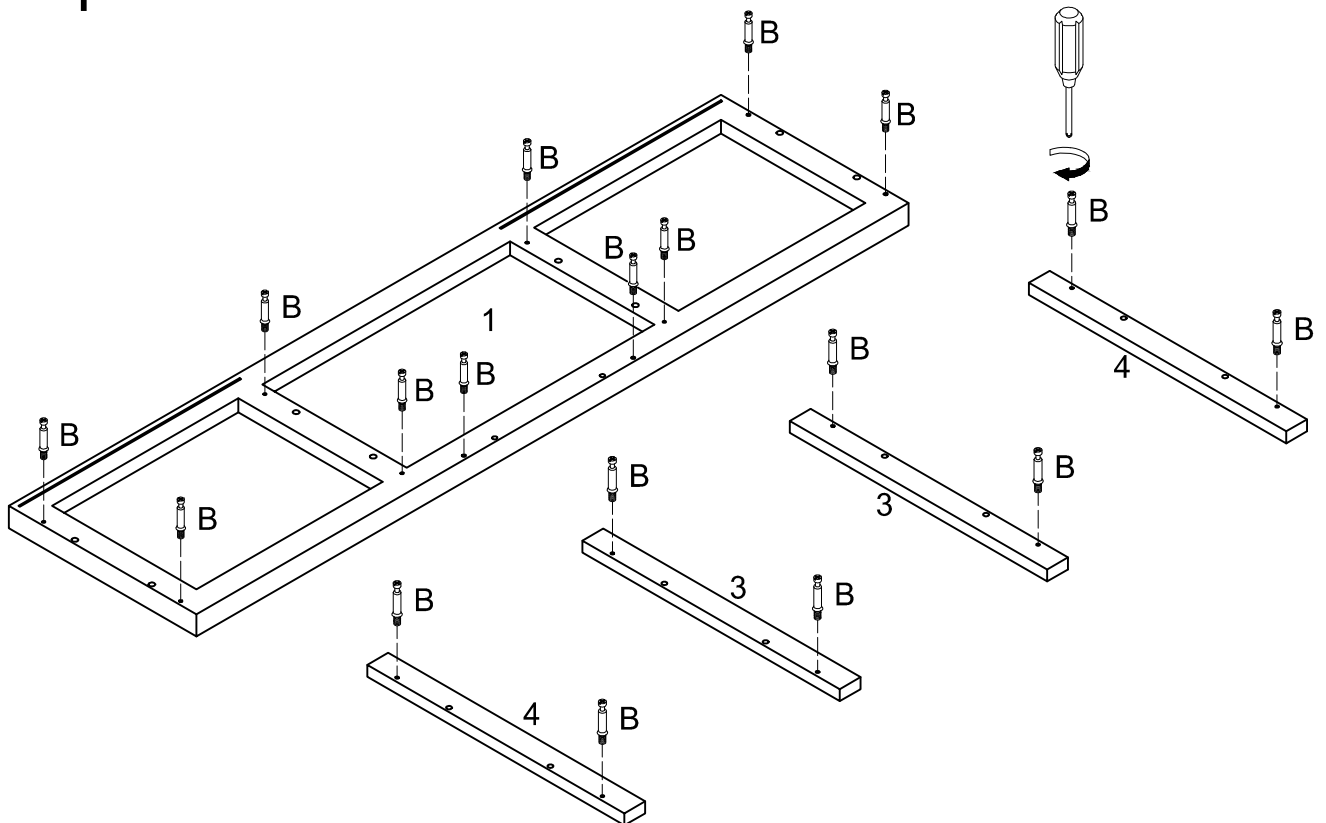
*The hardware quantities listed above are required for proper assembly.  
Some extra hardware may also have been included.*

# Step 1



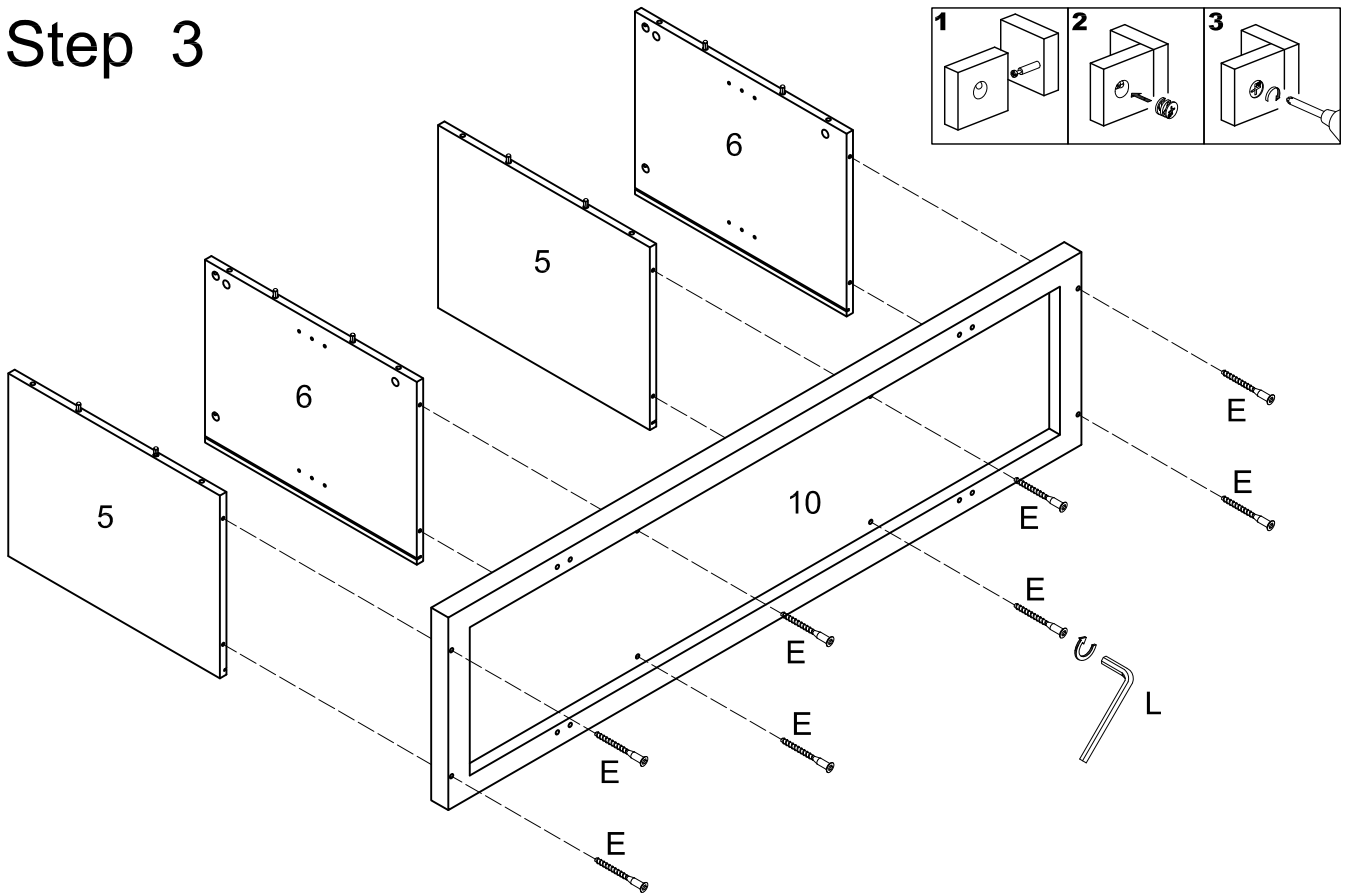
Insert wooden dowel (A) into fireplace faceplate (2) and side panel (5,6).

# Step 2



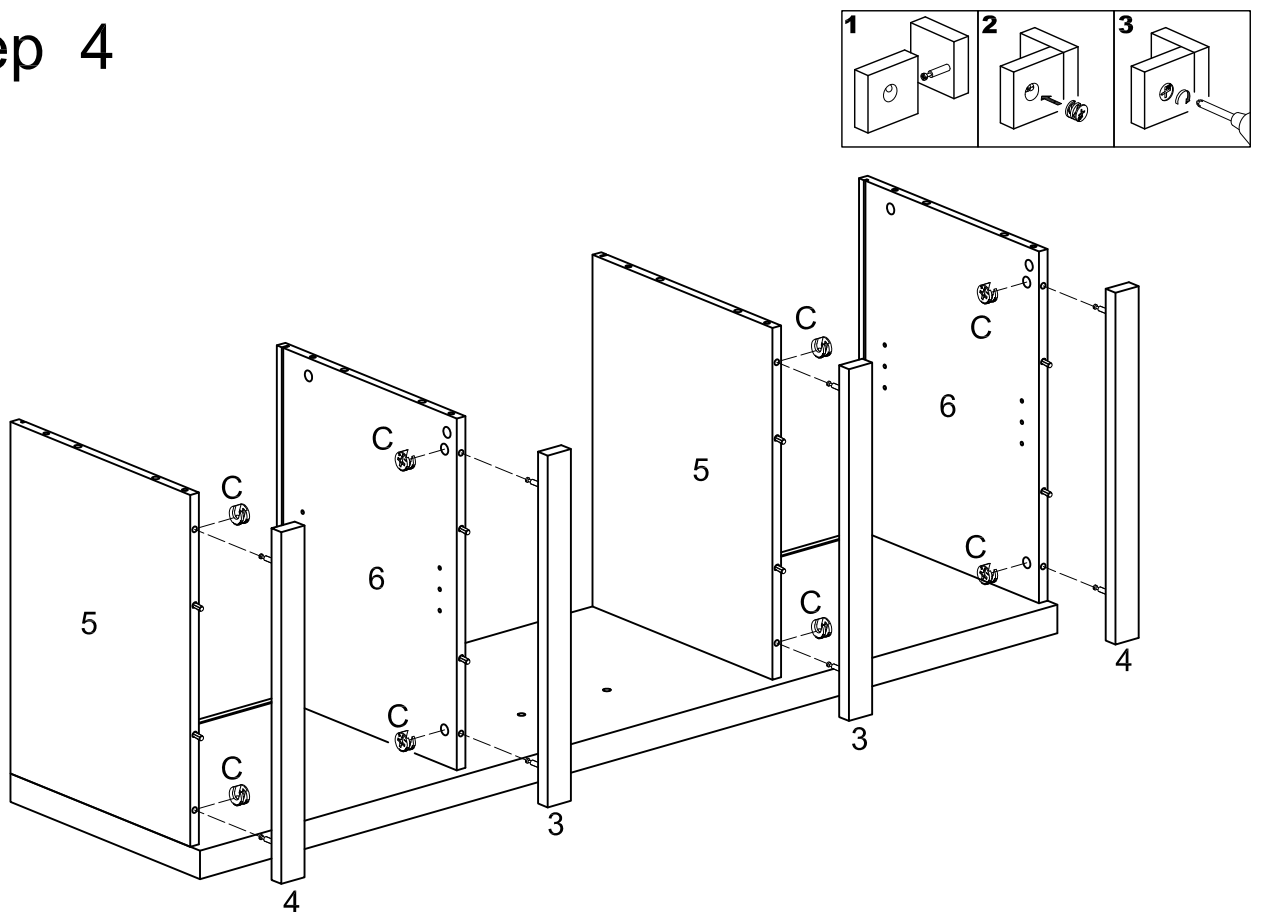
Secure cam bolt (B) to fireplace faceplate (2,3), side panel faceplate (4), and top panel (1).

# Step 3



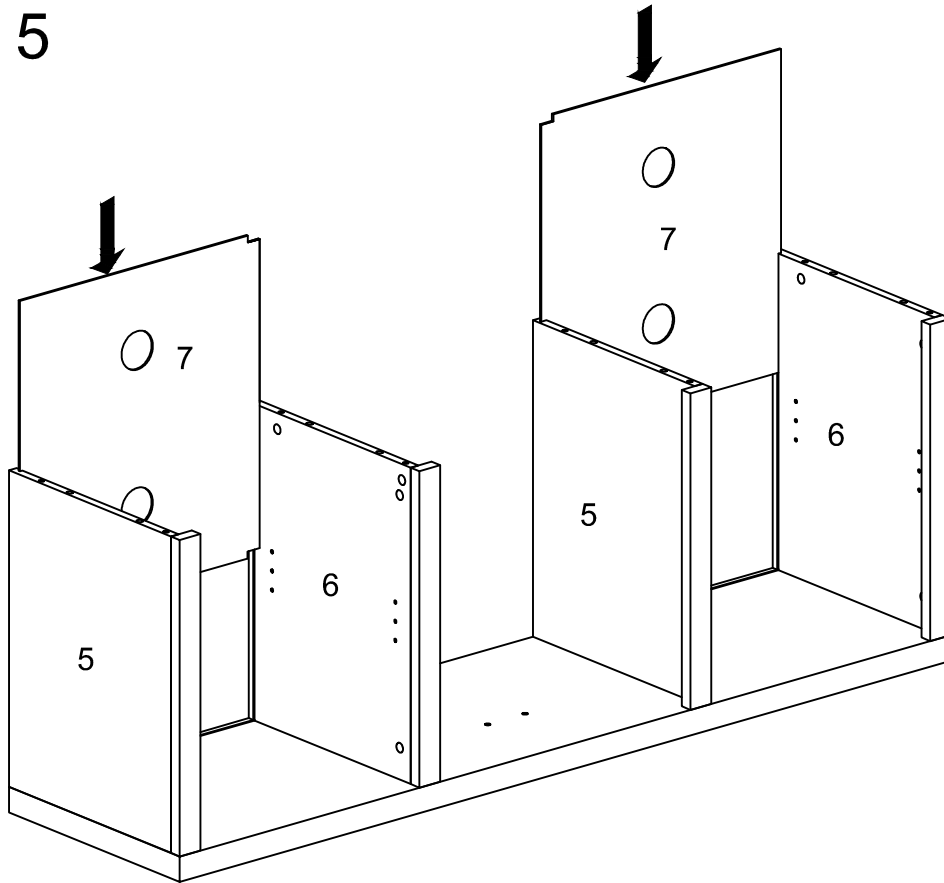
Use wrench (L) to secure bottom panel (10) to side panel (5,6) with bolt (E).

# Step 4



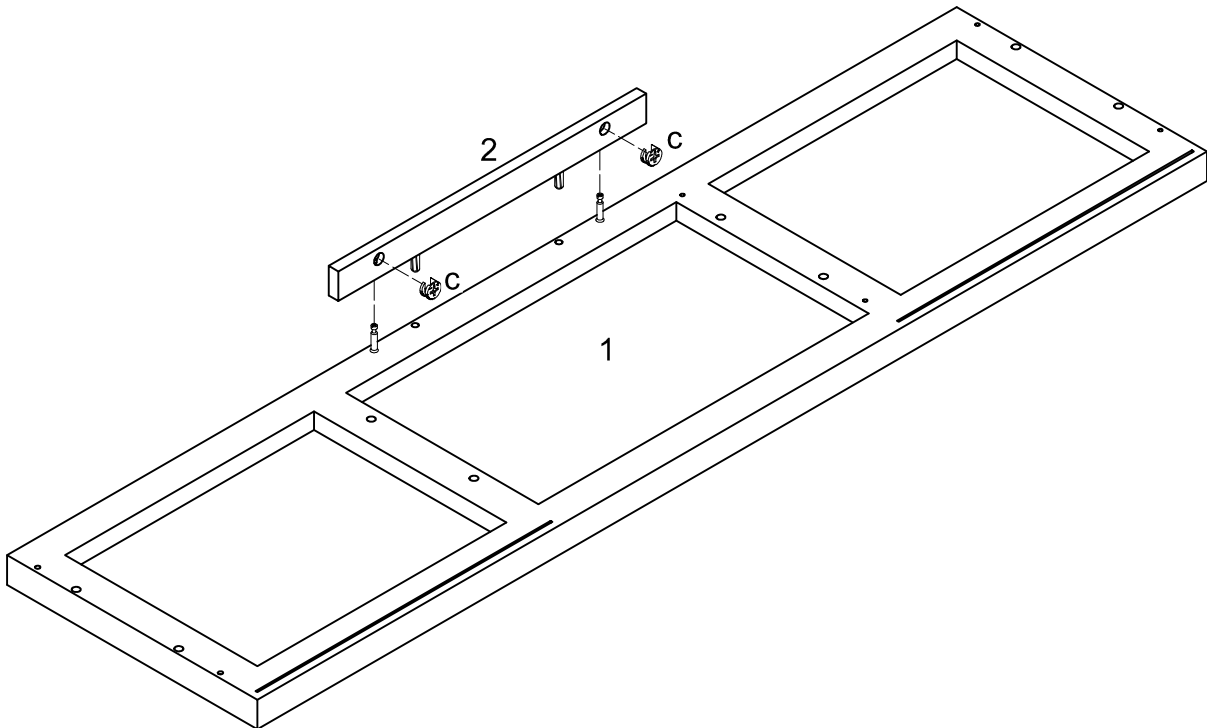
Insert fireplace faceplate (3) and side panel faceplate (4) into side panel (5,6), then insert and secure cam lock (C) to side panel (5,6) to lock it.

## Step 5



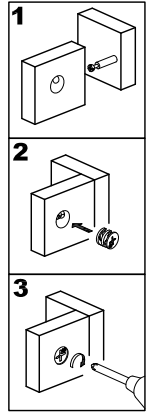
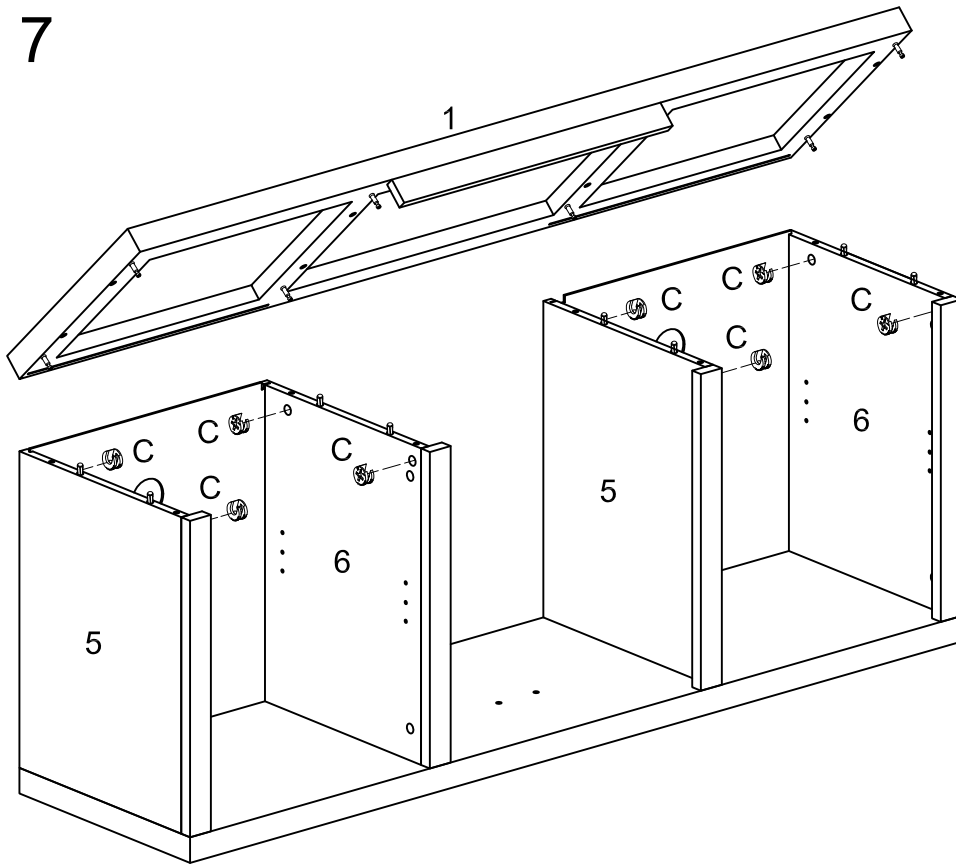
Insert back panel (7) through side panel (5,6).

## Step 6



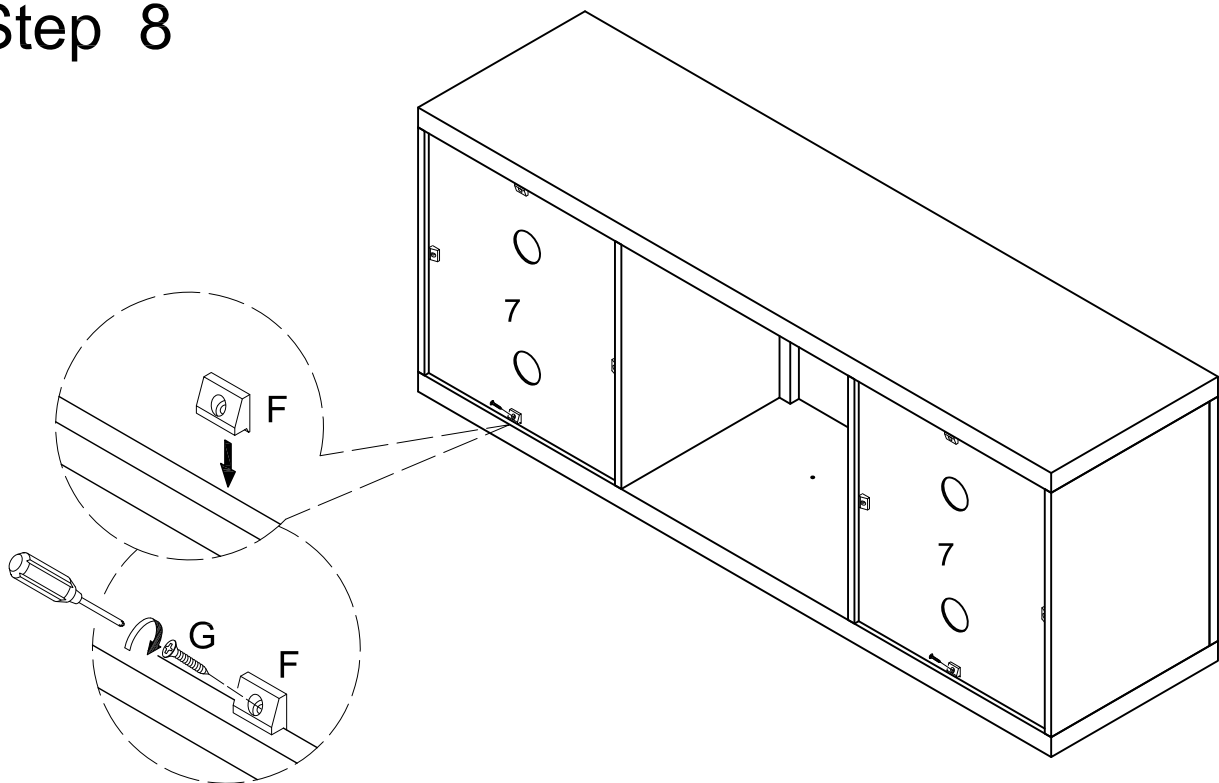
Insert fireplace faceplate (2) into top panel (1), then insert and secure cam lock (C) to fireplace faceplate (2) to lock it.

# Step 7



Insert top panel (1) into side panel (5,6), then insert and secure cam lock (C) to side panel (5,6).

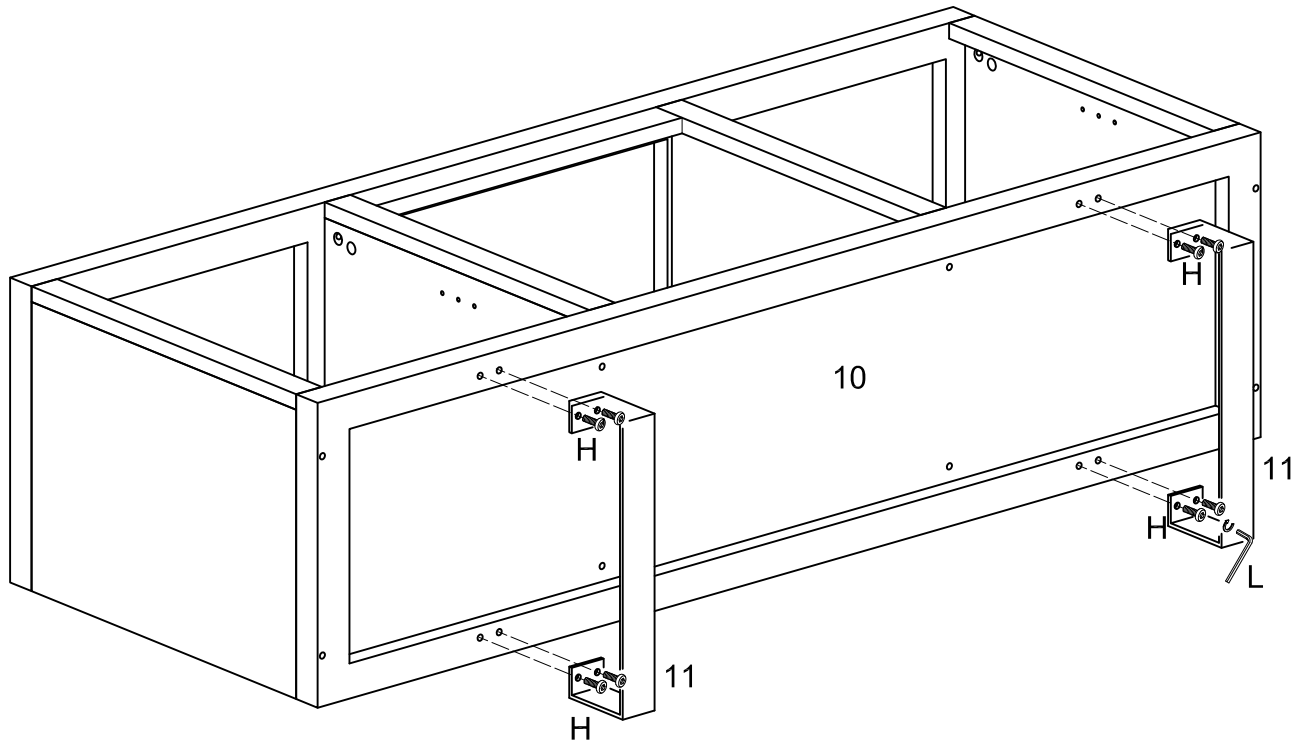
# Step 8



Secure plastic wedge (F) to back panel (7) with flat-head screw (G).

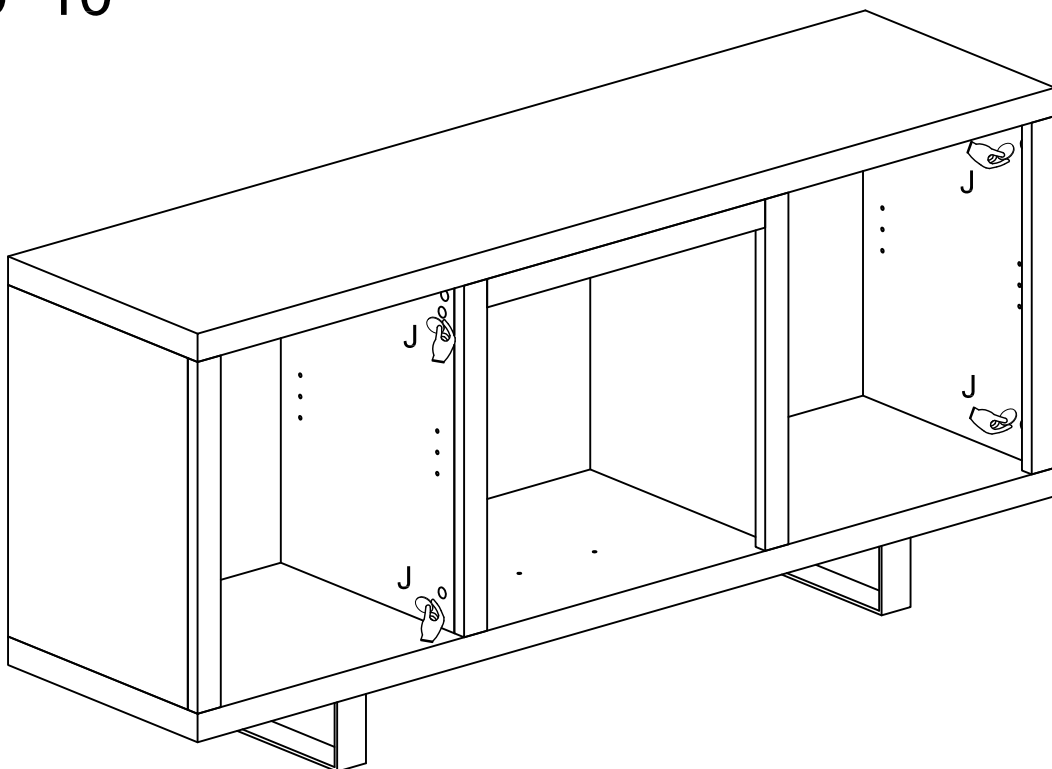


## Step 9



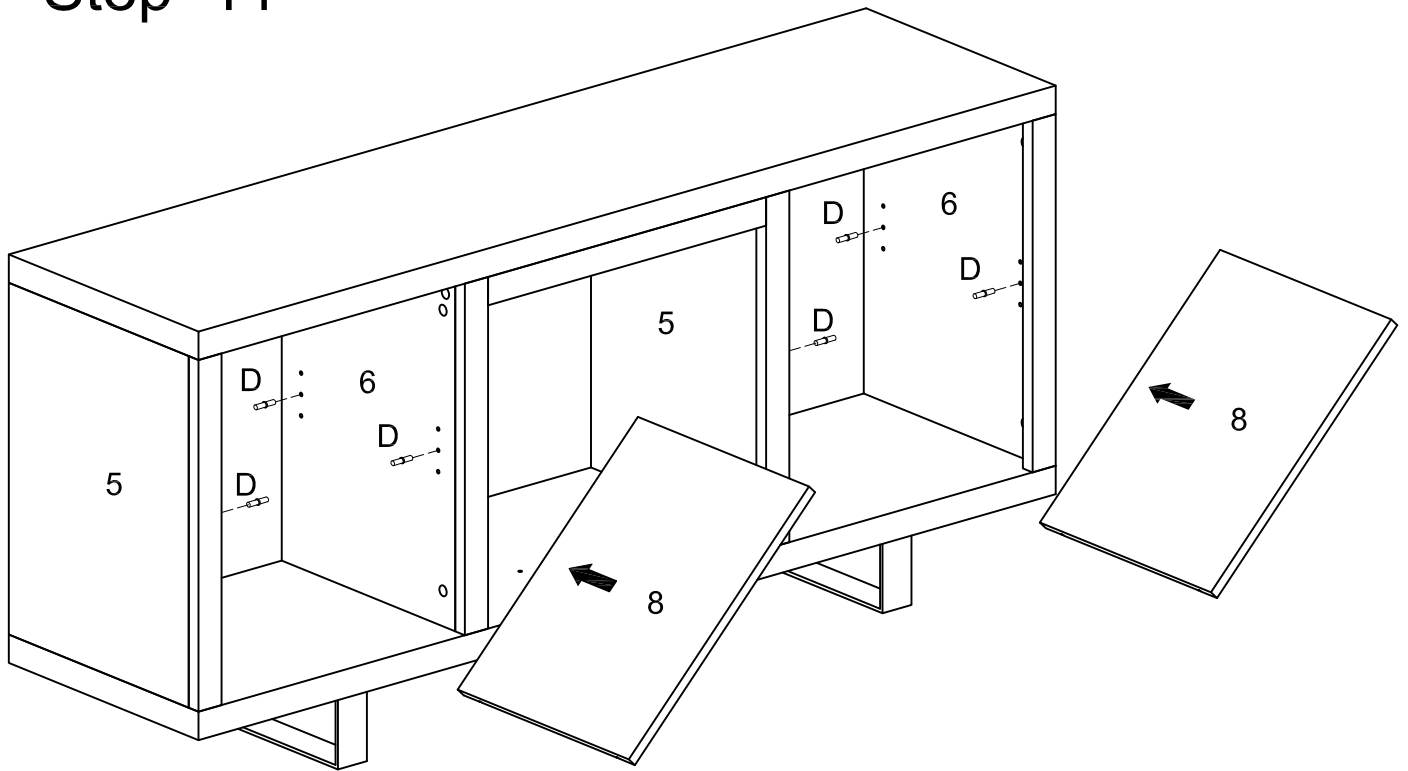
Use wrench (L) to secure leg (11) to bottom panel (10) with bolt (H).

## Step 10



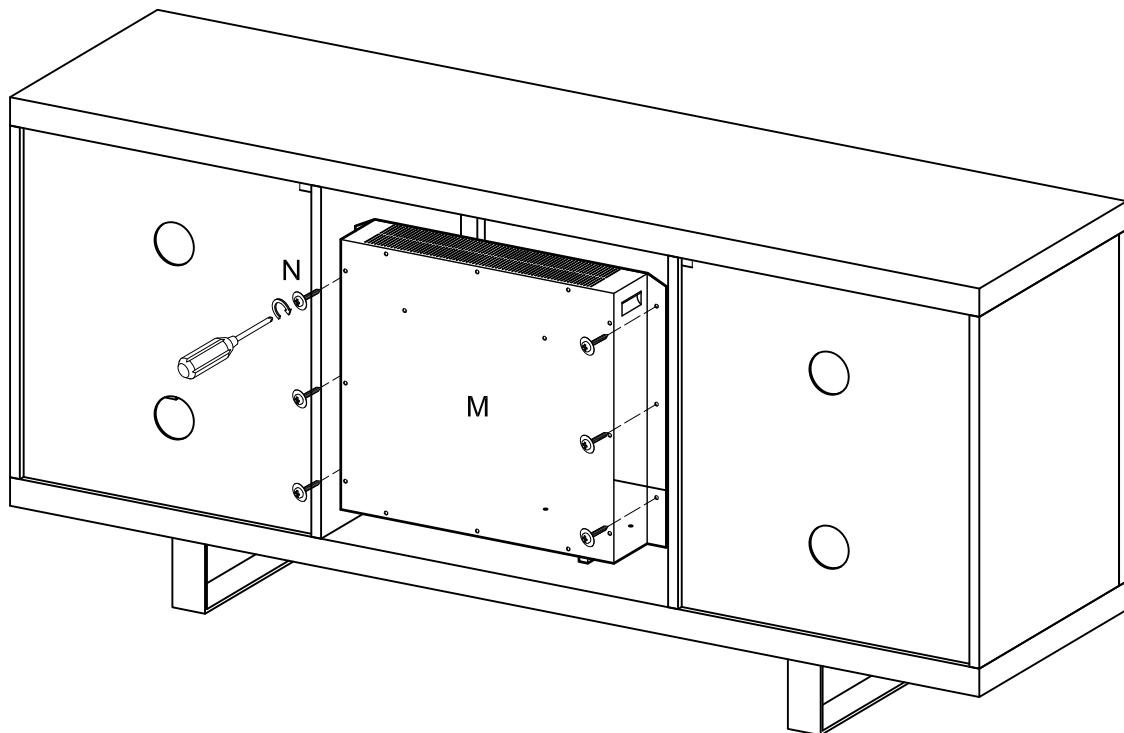
Place sticker (J) over holes as per diagram.

## Step 11



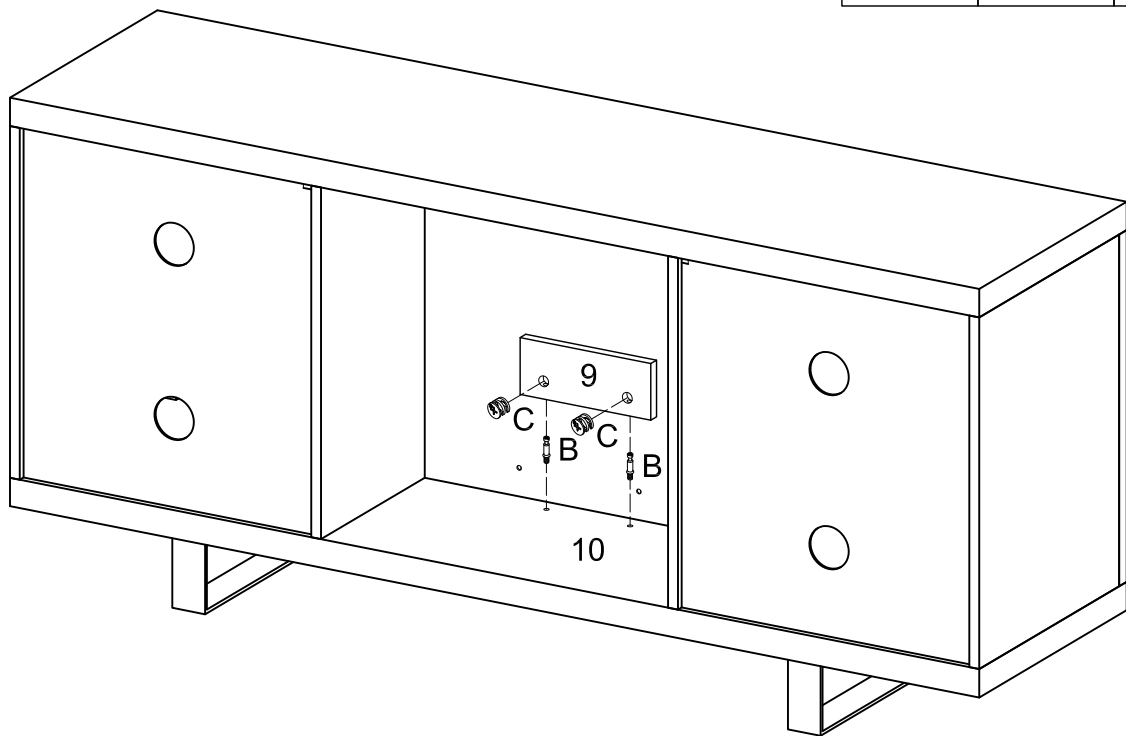
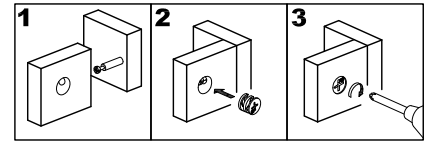
Insert shelf support pin (D) into side panel (5,6), place shelf (8) on top of support pin (D).

## Step 12



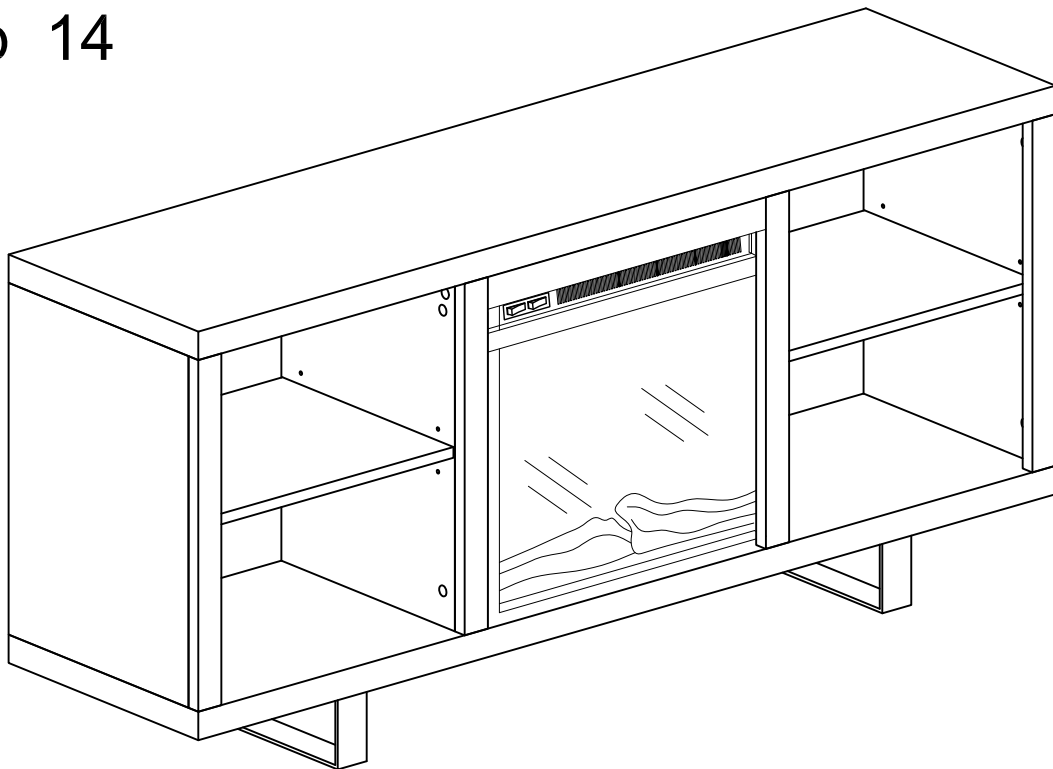
Secure fireplace insert (M) with screw (N) as per diagram.

## Step 13



Secure cam bolt (B) into bottom panel (10), insert fireplace holding panel (9) into bottom panel (10), then insert and secure cam lock (C) to fireplace holding panel (9) to lock it.

## Step 14



## Final Assembly