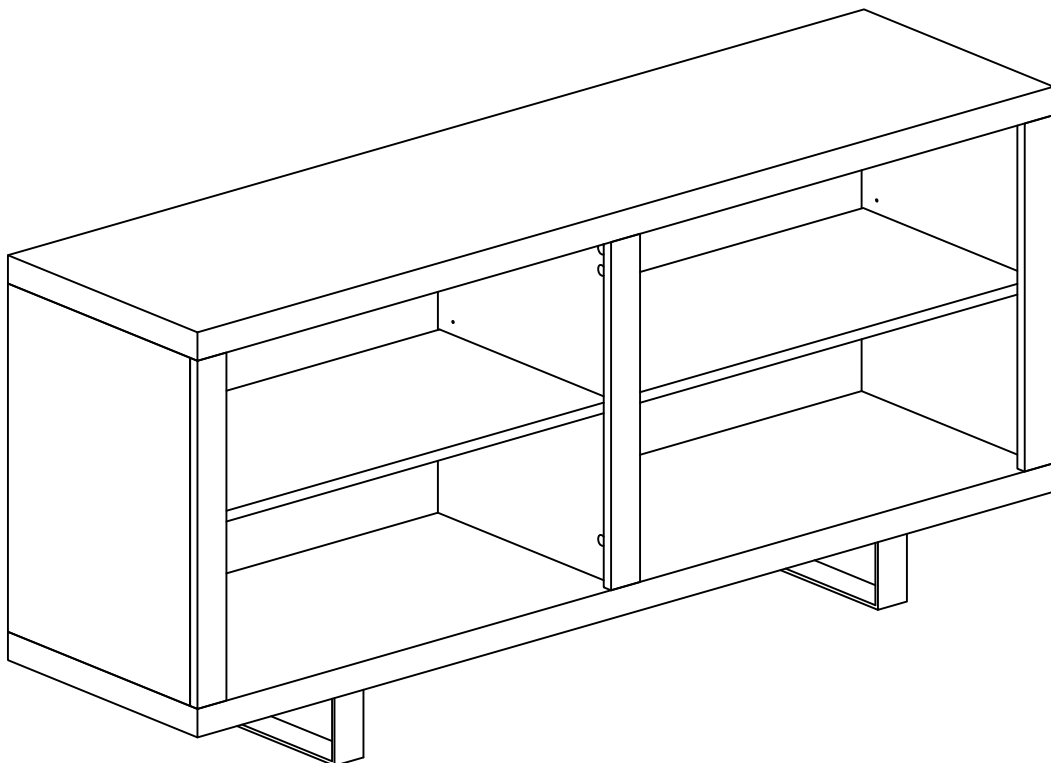




Item # :W58SMC  
Assembly Instructions

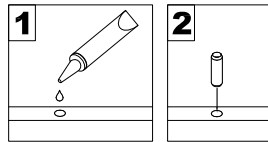


*Please visit our website for the most current instructions, assembly tips, report damage, or request parts. [www.walkeredison.com](http://www.walkeredison.com)*

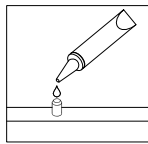
Revised 04/2017

# General Assembly Guidelines

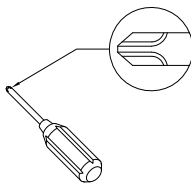
- I. Ensure that all parts and hardware are available before beginning assembly.
- II. Follow each step carefully to ensure the proper assembly of this product.
- III. Two people are recommended for ease in the assembly of this product.
- IV. The three main types of hardware used to assemble this product are : wood dowels , screws and bolts.
- V. The provided glue is to secure wood dowels in place . When first inserting dowels , locate the appropriate hole for the dowel , place a small amount of glue in the hole and insert the dowel . Wipe away excess glue immediately.



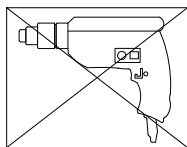
In future assembly steps when dowels are necessary to attach assembly parts together , place a small amount of glue on the end of the dowel before attaching parts together . Wipe away excess glue immediately.

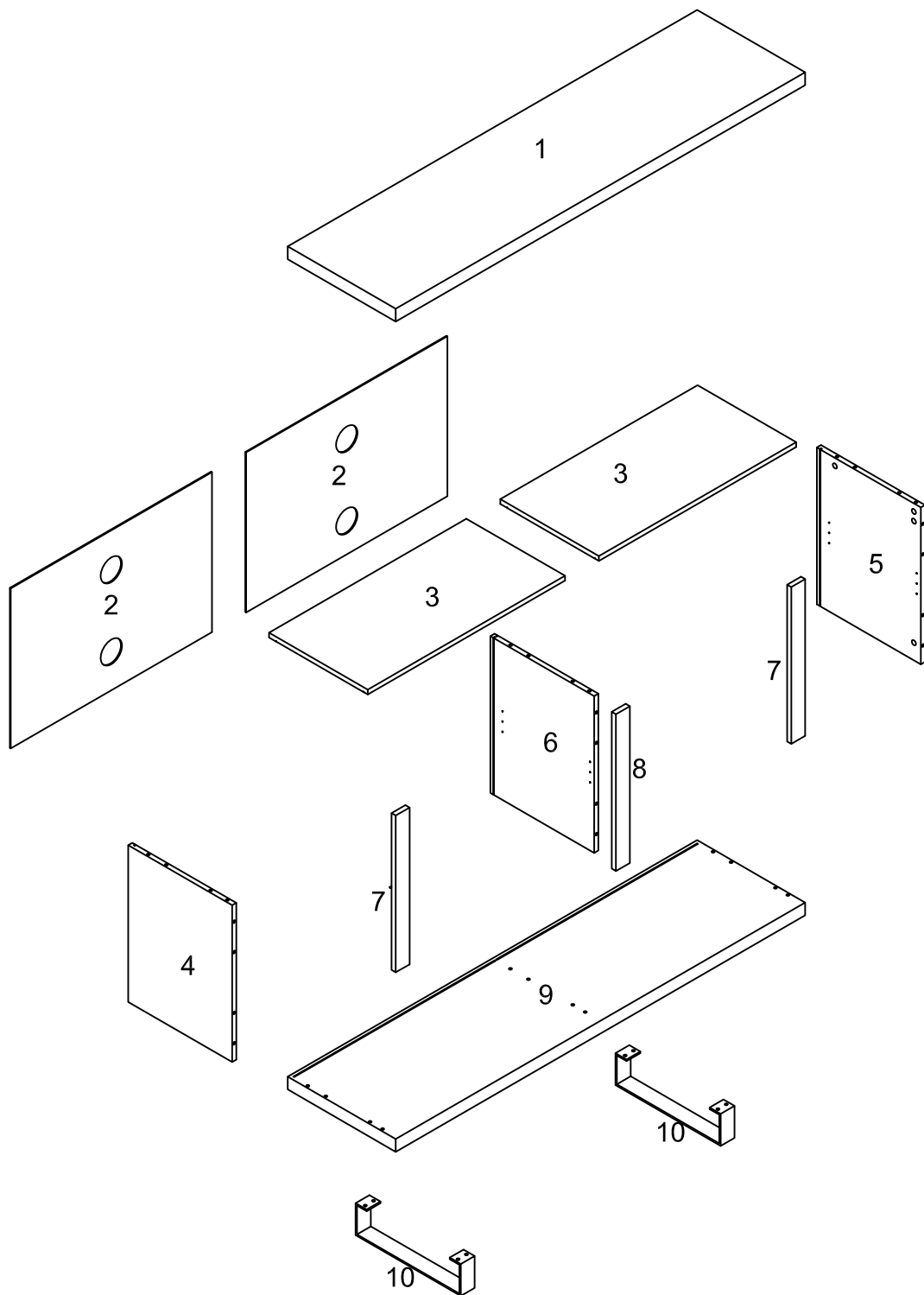


- VI. A Phillips head screwdriver is required for the assembly of this product .


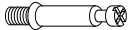


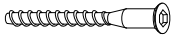
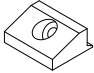
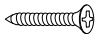
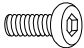





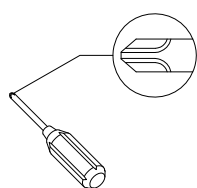
- VII. Power tools should not be used to assemble this product .





# Hardware List

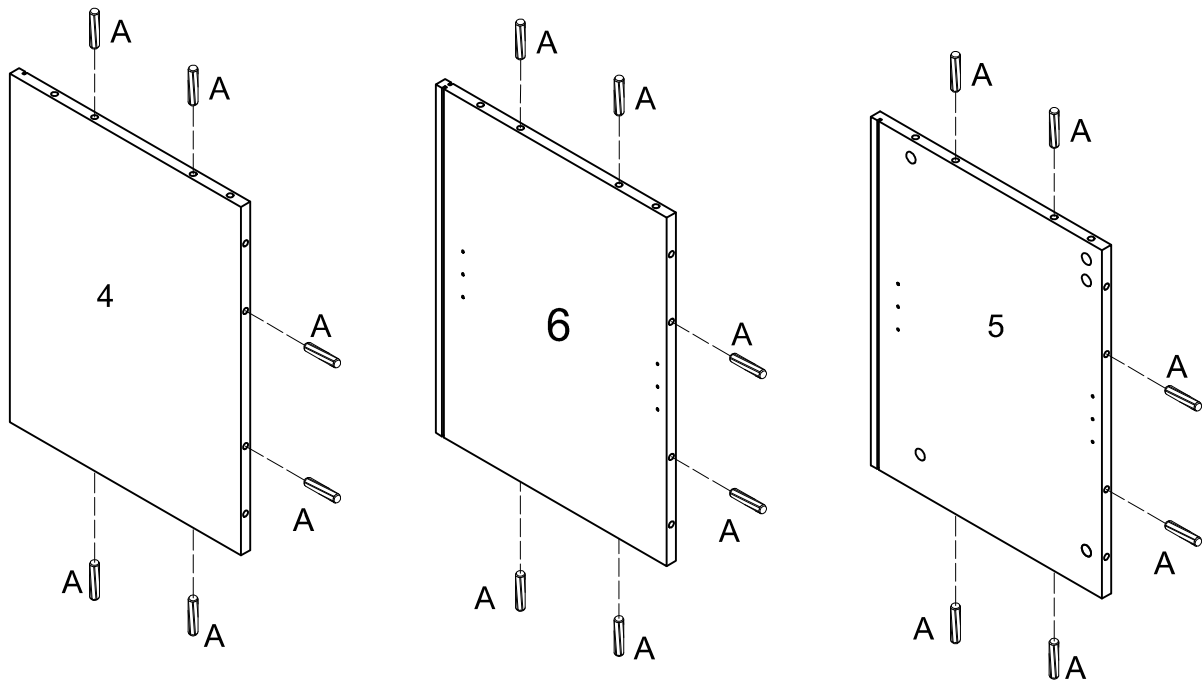
A		Ø8x30	Wooden dowel	18 pcs
B		Ø6x35	Cam bolt	12 pcs
C		Ø15x11	Cam lock	12 pcs
D			Shelf support pin	8 pcs
E		Ø6*50	Bolt	6 pcs
F			Plastic wedge	8 pcs
G		Ø3x17	Flat-head screw	8 pcs
H		Ø6x16	Bolt	8 pcs
J		Ø30	Sticker	12 pcs
K			Glue tube	1 pc
L		M4	Wrench	1 pc



Philips head screwdriver required for assembly  
(not included)

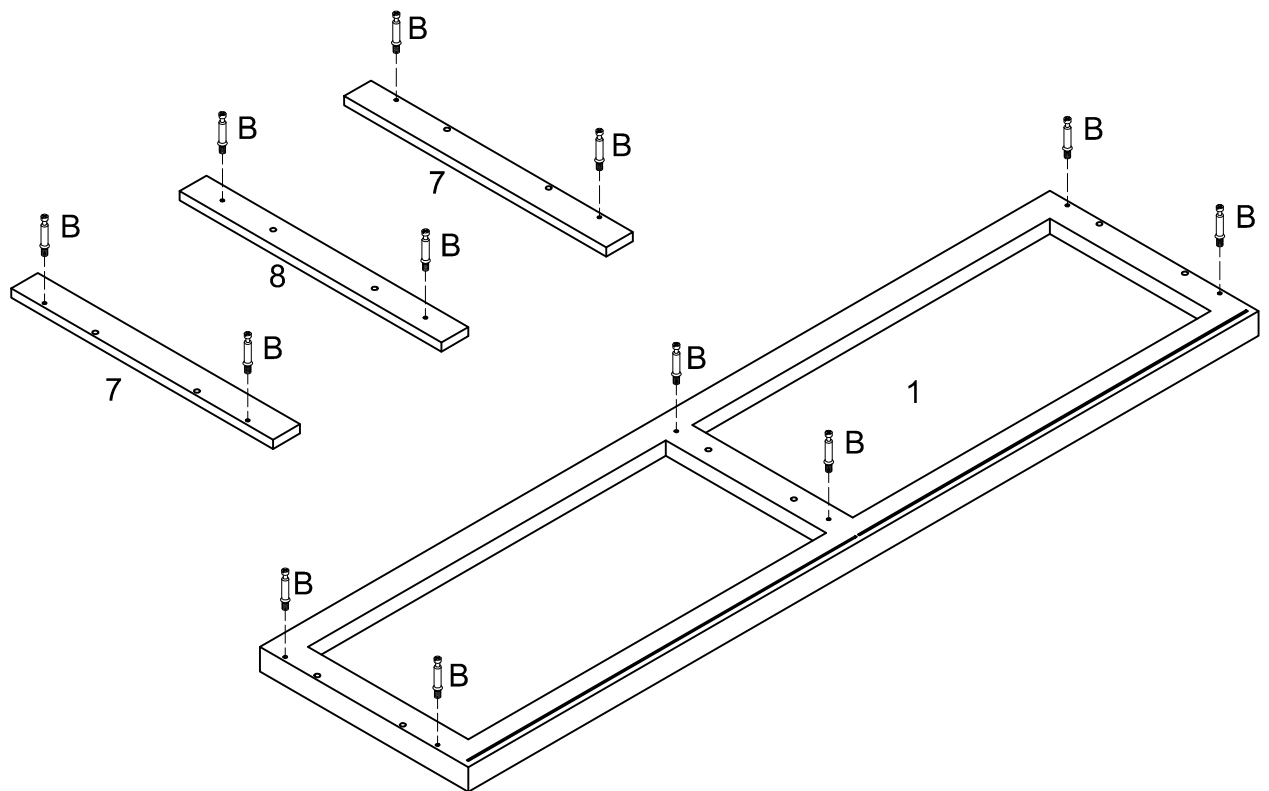
*The hardware quantities listed above are required for proper assembly.  
Some extra hardware may also have been included.*

# Step 1



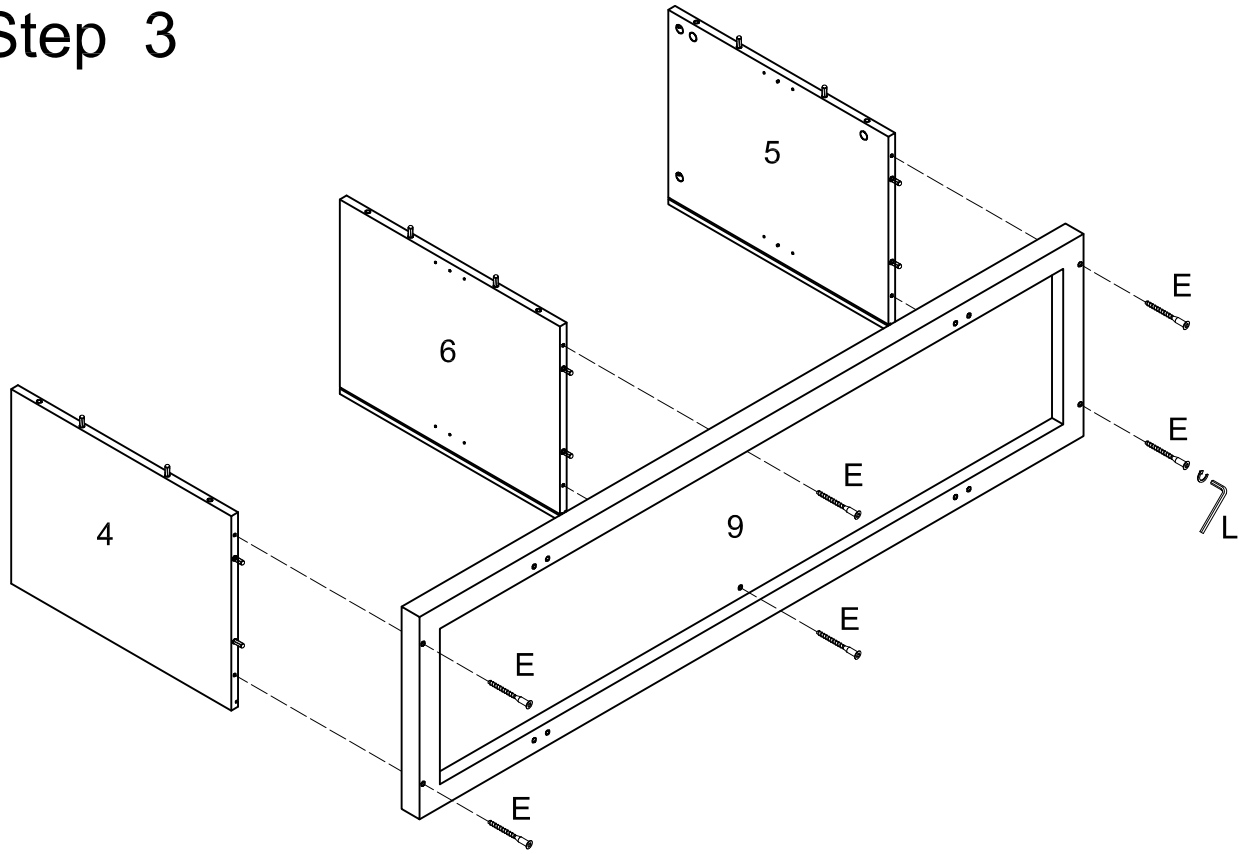
Insert wooden dowel (A) into side panel (4,5,6).

# Step 2



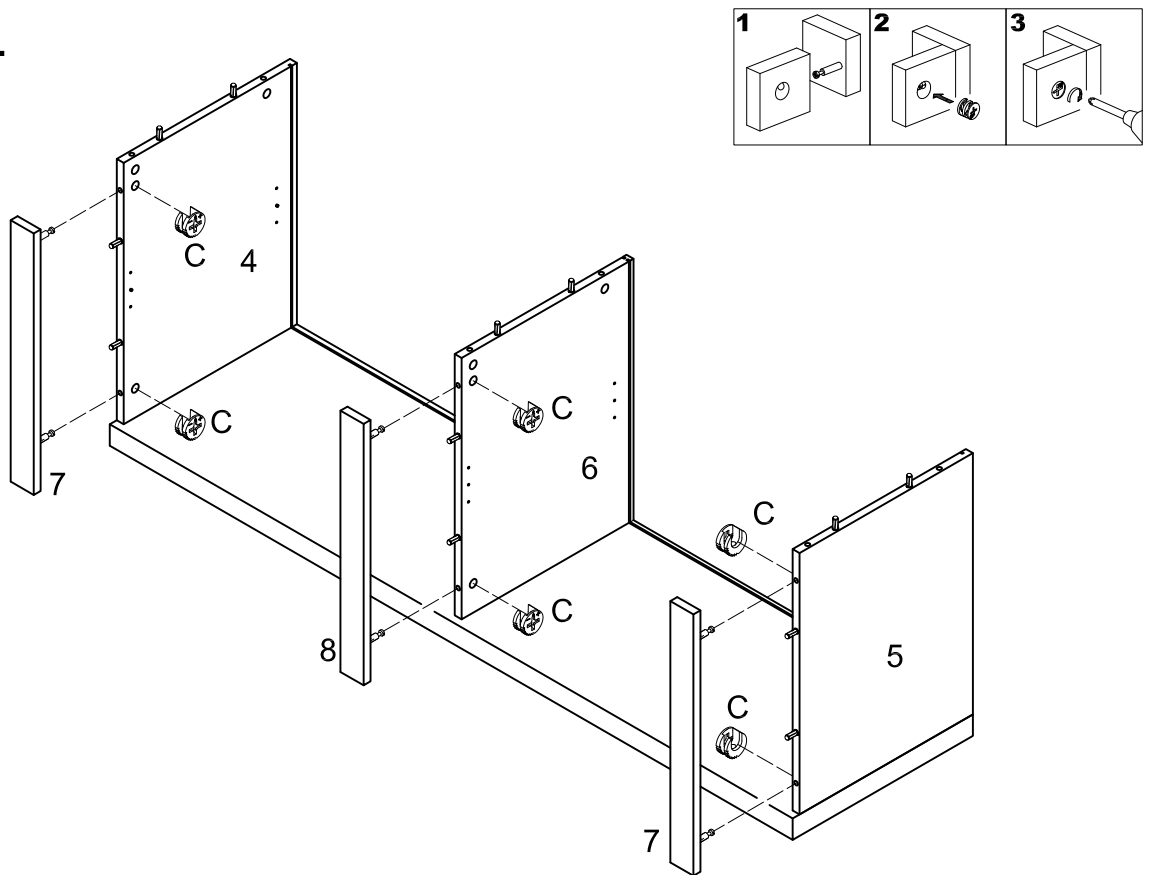
Secure cam bolt (B) to side panel faceplate (7,8) and top panel (1).

# Step 3



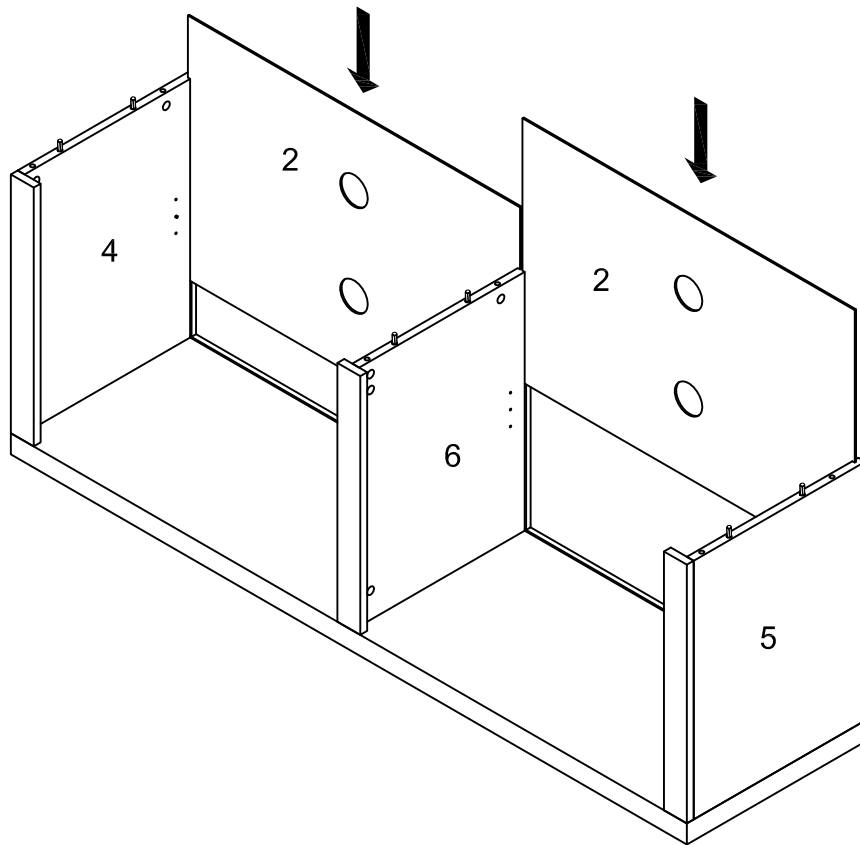
Use wrench (L) to secure bottom panel (9) to side panel (4,5,6) with bolt (E).

# Step 4



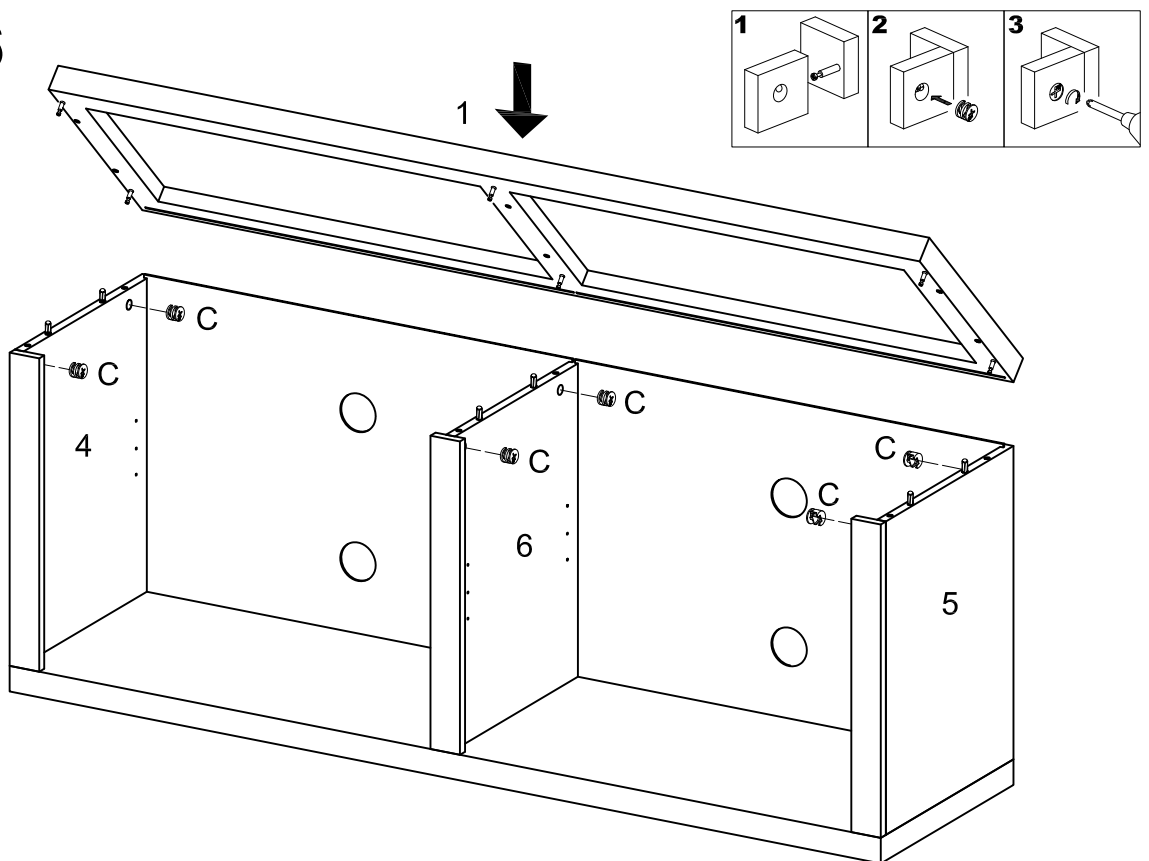
Insert side panel faceplate (7,8) into side panel (4,5,6), then insert and secure cam lock (C) to side panel (3,4,5) to lock it.

## Step 5



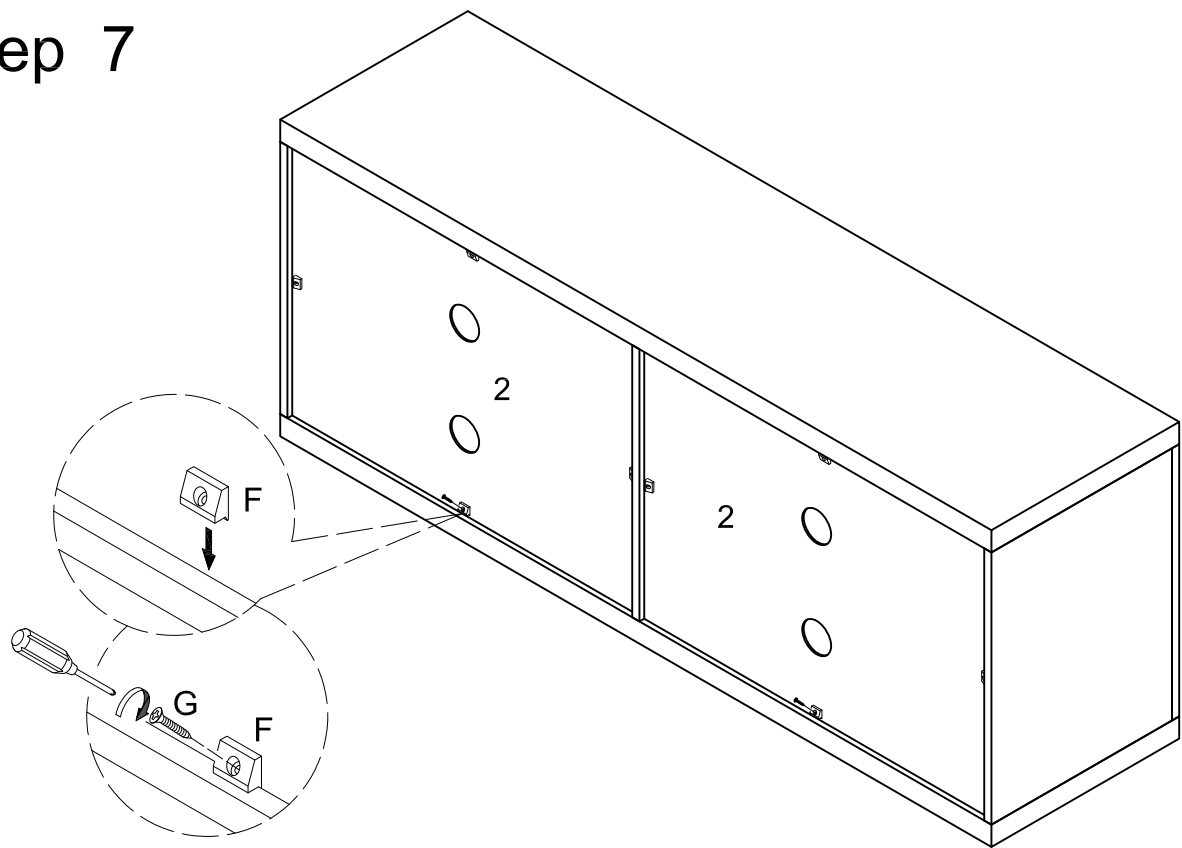
Insert back panel (2) through side panel (4,5,6).

## Step 6



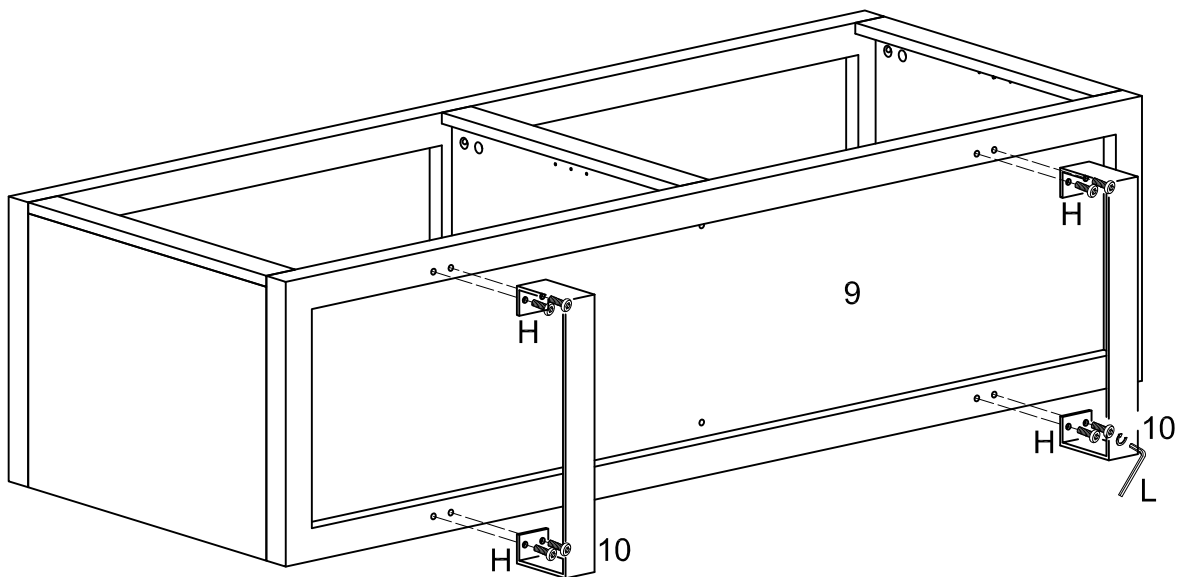
Insert top panel (1) into side panel (4,5,6), then insert and secure cam lock (C) to side panel (4,5,6) to lock it.

## Step 7



Secure plastic wedge (F) to back panel (2) with flat-head screw (G).

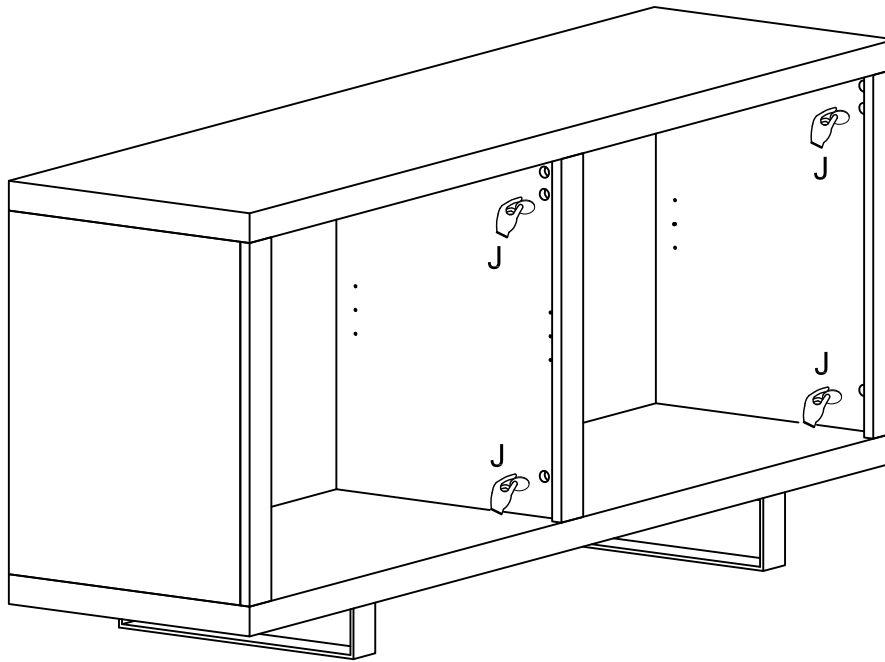
## Step 8



Use wrench (L) to secure leg (10) to bottom panel (9) with bolt (H).

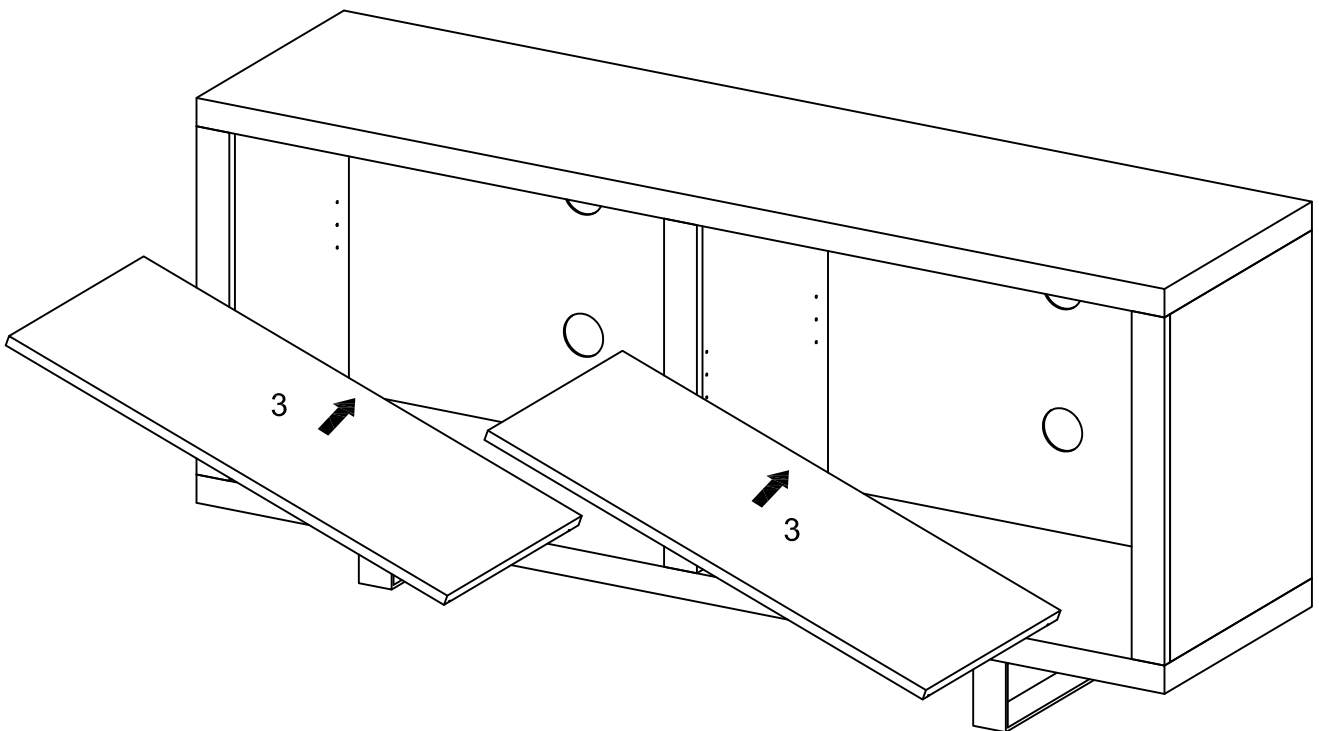


## Step 9



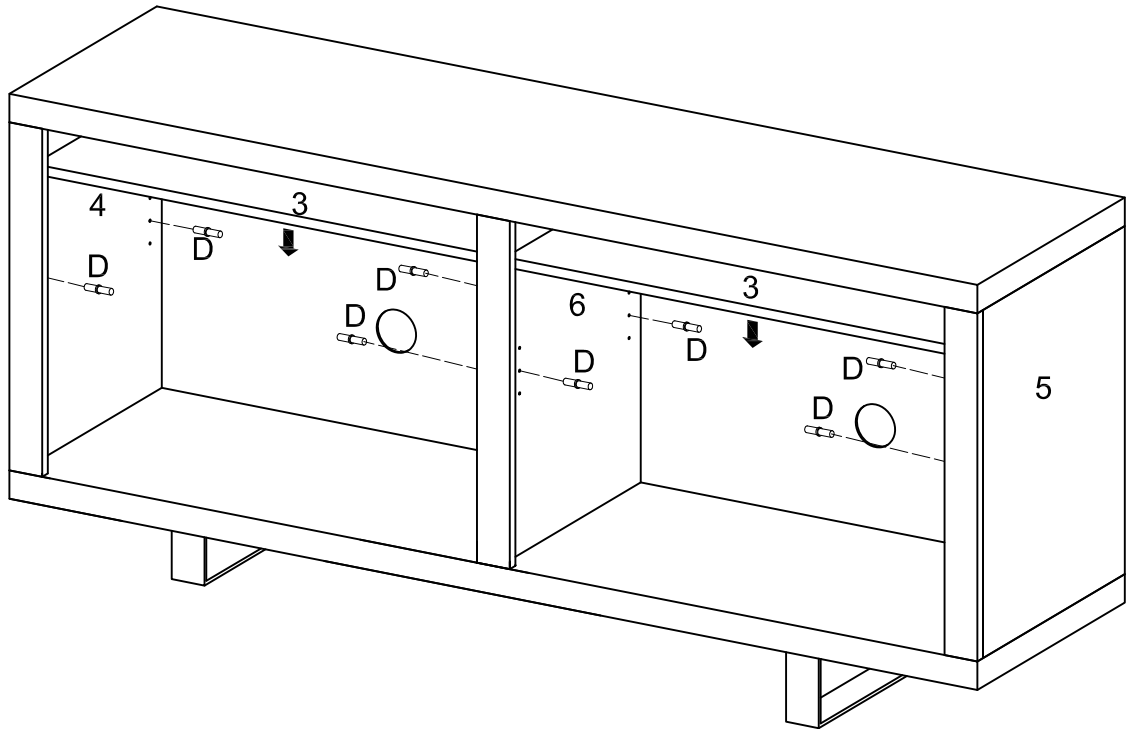
Place sticker (J) over holes as per diagram.

## Step 10



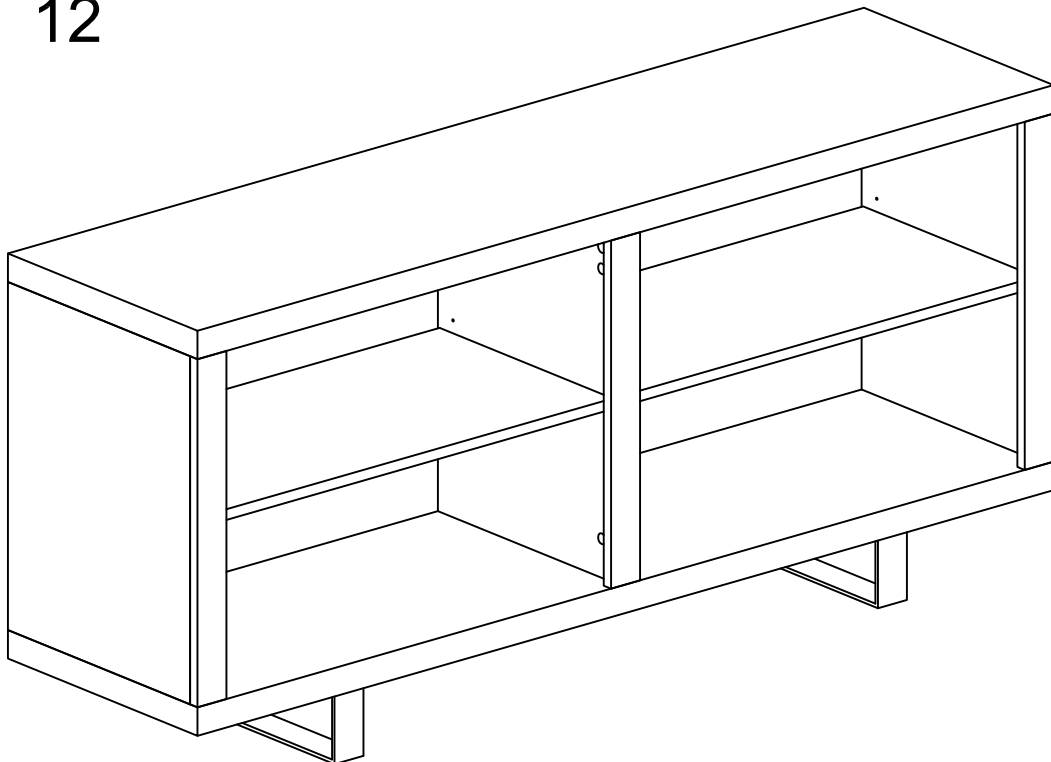
Insert the shelf (3) into console as per diagram.

## Step 11



Hold the shelf (3) uppermost, then insert shelf support pin (D) into side panel (4,5,6), place shelf (3) on top of shelf support pin (D).

## Step 12



## Final Assembly