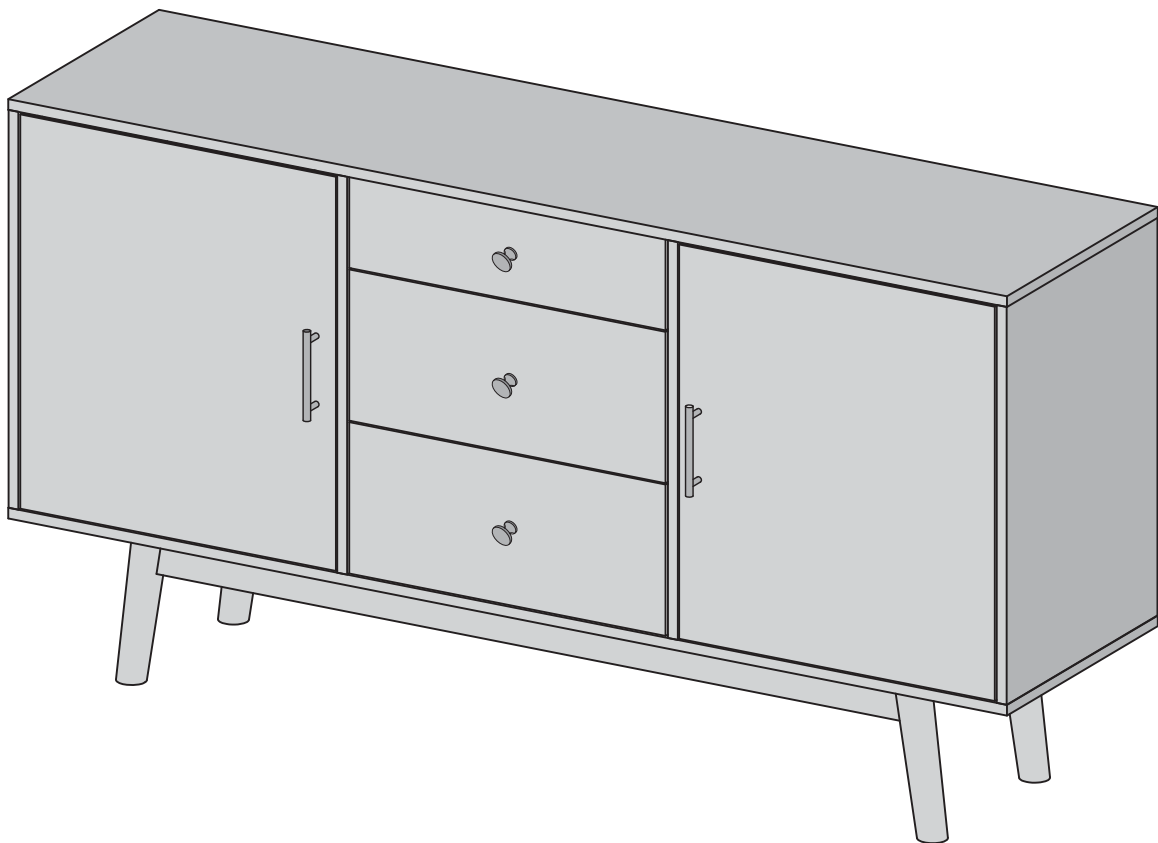




Item # : W60CMC
Assembly Instructions

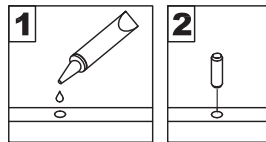


For the most current instructions, additional assembly tips, to report damage or request parts, please visit our website at www.walker-edison.com.

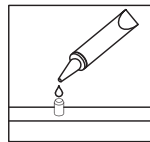
Revised 04/2017

General Assembly Guidelines

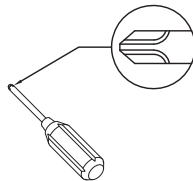
- I. Ensure that all parts and hardware are available before beginning assembly.
- II. Follow each step carefully to ensure the proper assembly of this product.
- III. Two people are recommended for ease in the assembly of this product.
- IV. The three main types of hardware used to assemble this product are : wood dowels , screws and bolts.
- V. The provided glue is to secure wood dowels in place . When first inserting dowels , locate the appropriate hole for the dowel , place a small amount of glue in the hole and insert the dowel . Wipe away excess glue immediately.



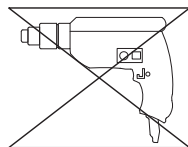
In future assembly steps when dowels are necessary to attach assembly parts together , place a small amount of glue on the end of the dowel before attaching parts together . Wipe away excess glue immediately.



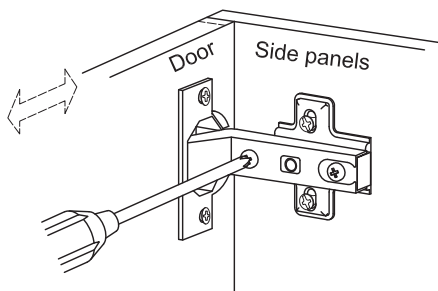
- VI. A Phillips head screwdriver is required for the assembly of this product .



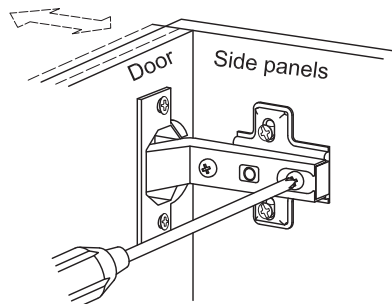
- VII. Power tools should not be used to assemble this product .



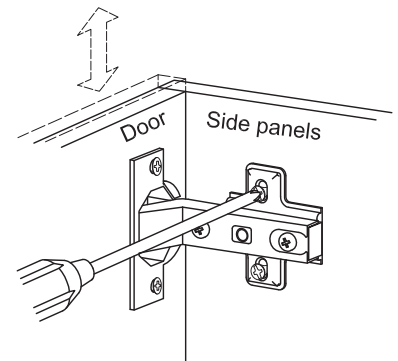
- VIII. Concealed hinges are three-way adjustable.



Horizontal
by screw adjustment

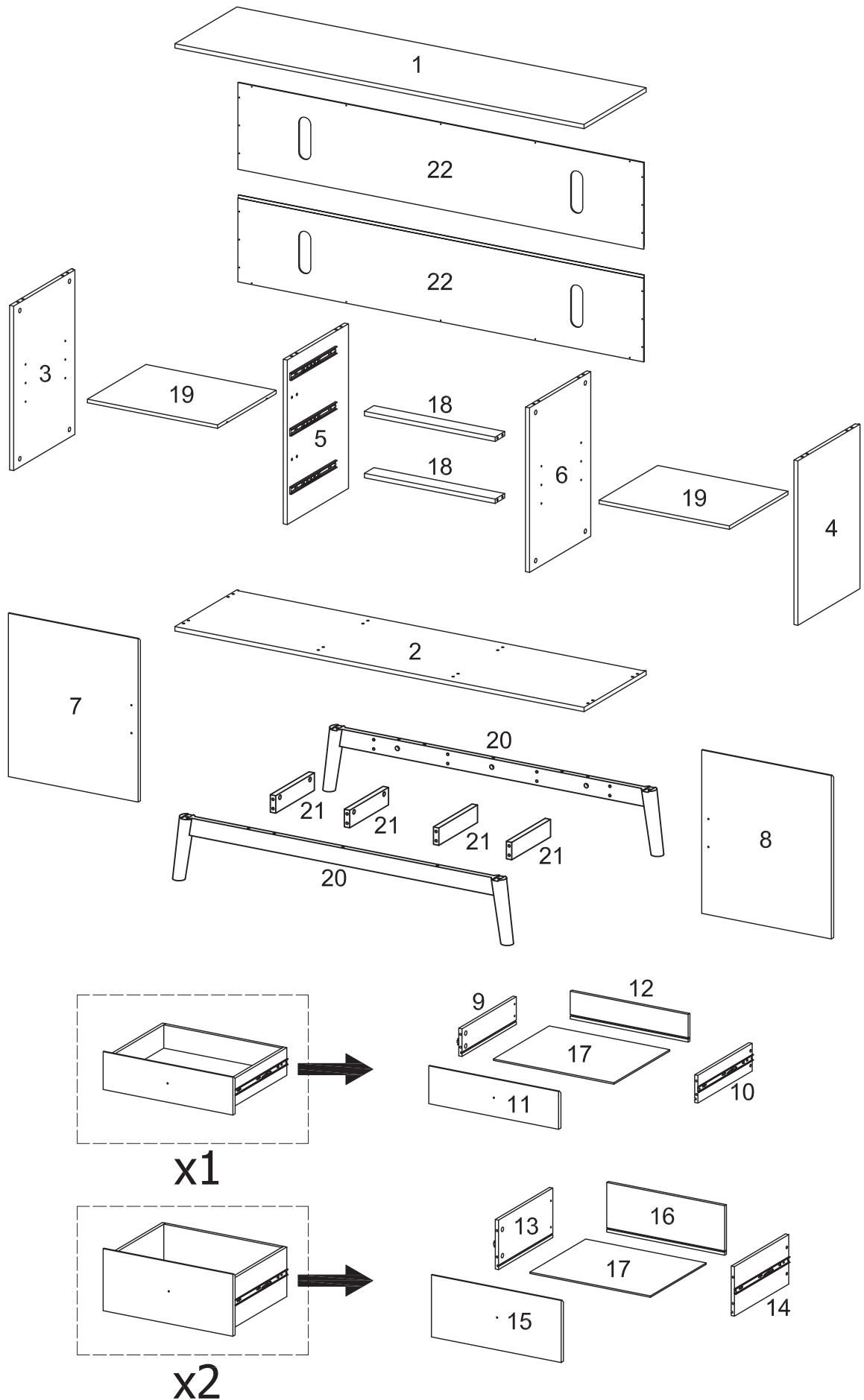


In-and-Out
by loosening the hinge-arm
mounting screw or via cam
adjustment


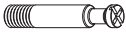

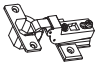








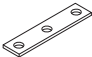

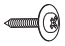






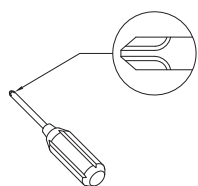
Vertical
Via slots in the mounting
plate or via cam adjustment

Parts List



Hardware List

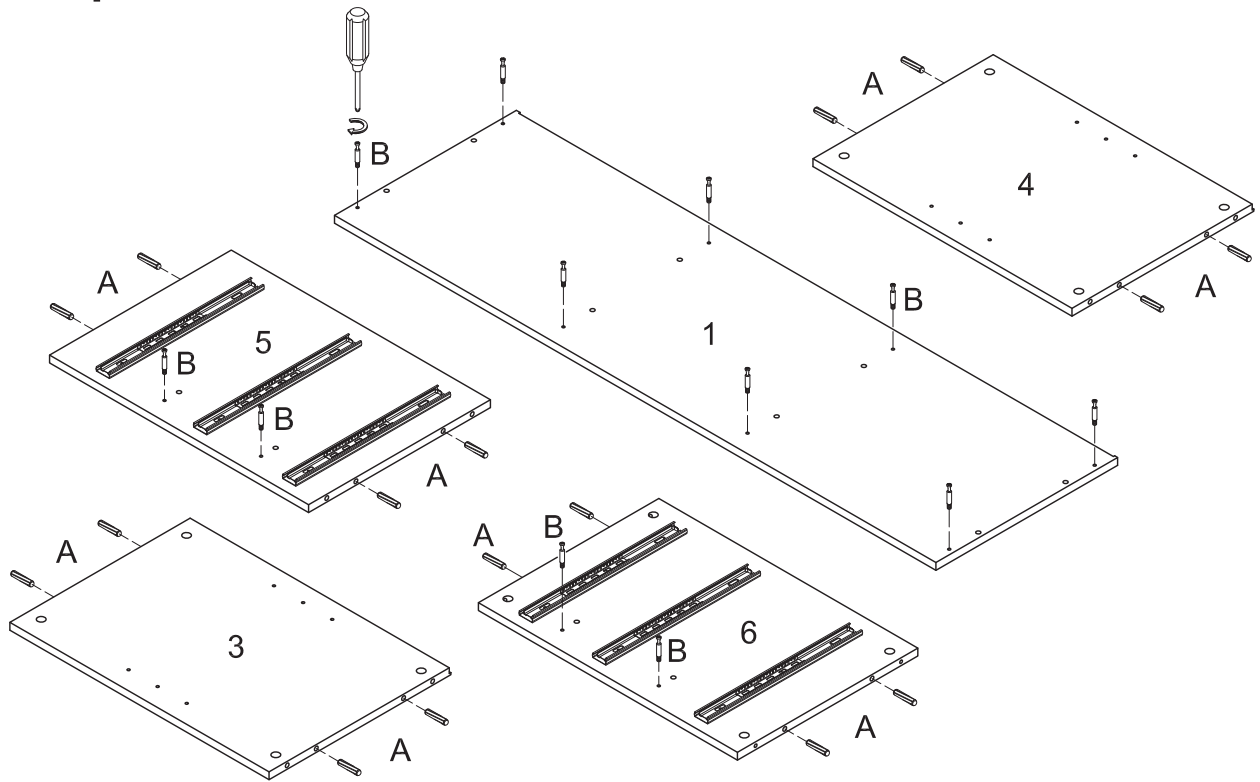
A		Ø8x30mm	Wooden dowel	28 pcs
B		Ø15x9.5mm	Cam bolt	46 pcs
C		Ø6x32mm	Cam lock	46 pcs
D			hinge	4 pcs
E		Ø4x12mm	Door hinge screw	16 pcs
F		128x33mm	Handle	2 pcs
G		Ø24x21mm	Knob	3 pcs
H		Ø4x18mm	Handle Screw	7 pcs
J		Ø6x25mm	Bolt	4 pcs
K		Ø6x12mm	Bolt	8 pcs
L			Spring washer	12 pcs
M			Washer	12 pcs
N			Locking plate	4 pcs
P		Ø5x16mm	Shelf support pin	8 pcs
Q		Ø3x12mm	Screw	24 pcs
R		Ø4x25mm	Screw	12 pcs
S		M4mm	Wrench	1 pc
T		Ø30mm	Sticker	42 pcs
U			Glue tube	1 pc



Philips head screwdriver required for assembly
(not included)

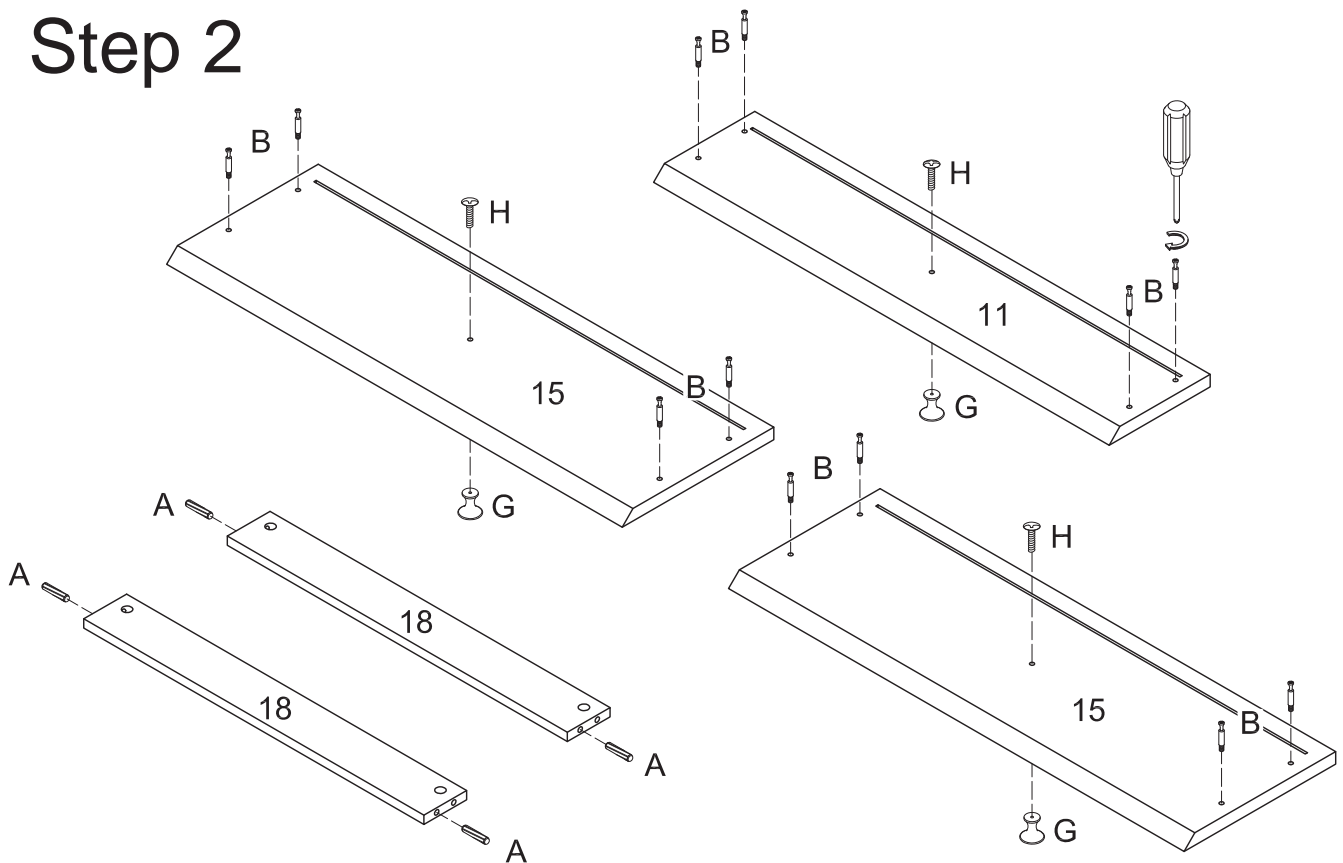
*The hardware quantities listed above are required for proper assembly.
Some extra hardware may also have been included.*

Step 1



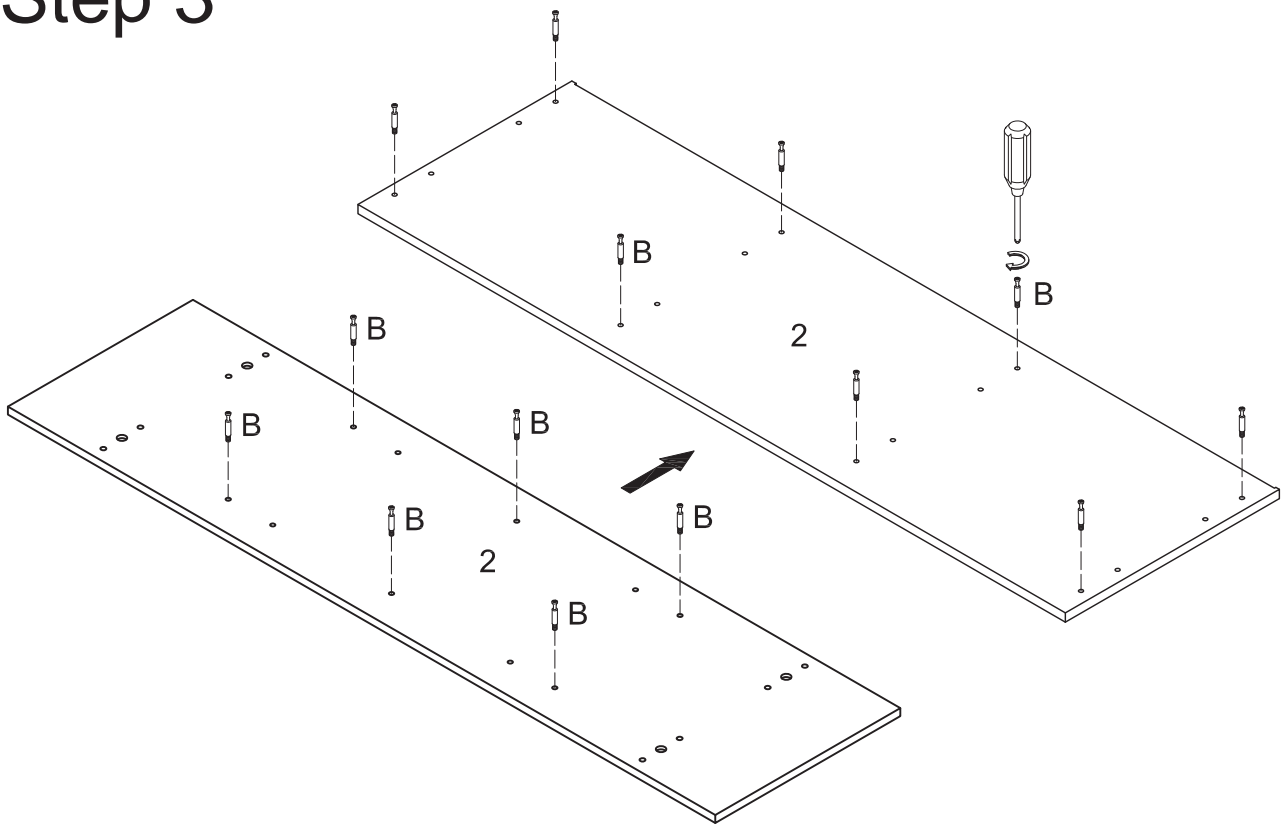
Insert wooden dowel (A) into side panel (3,4) and middle side panel (5,6). Secure cam bolt (B) to middle side panel (5,6) and top panel (1).

Step 2



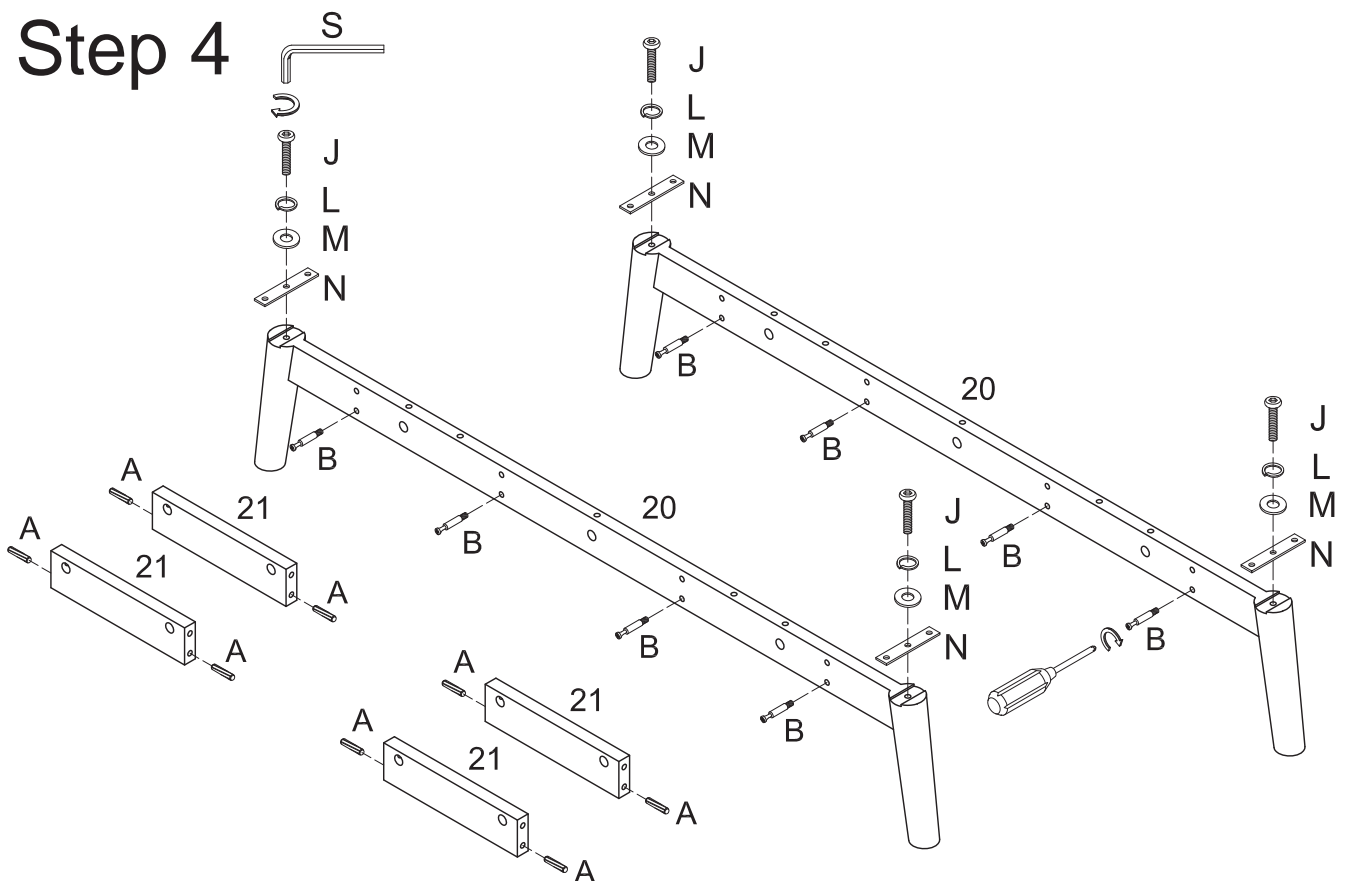
Insert wooden dowel (A) into middle cross bar (18). Secure cam bolt (B) to drawer front panels (11,15). Attach knob (G) to drawer front panels (11,15) by using handle screw (H).

Step 3



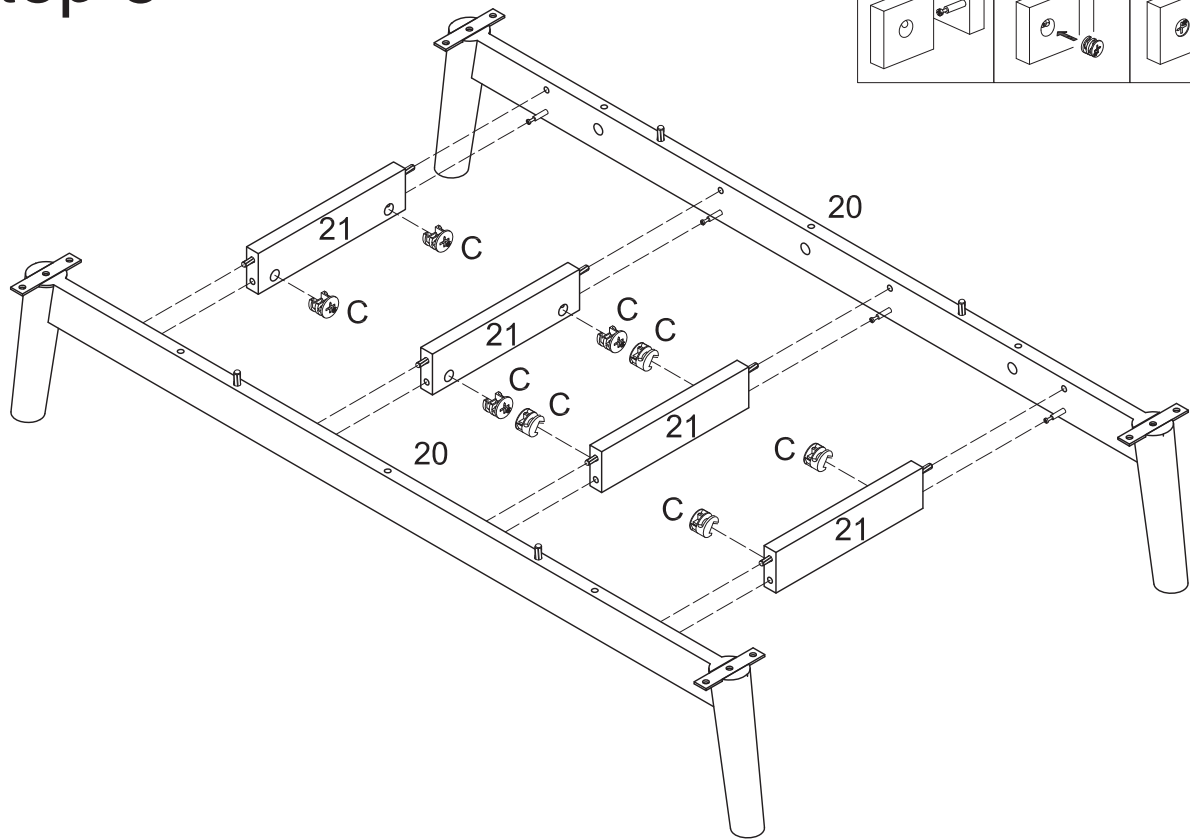
Secure cam bolt (B) to both sides of bottom panel (2).

Step 4



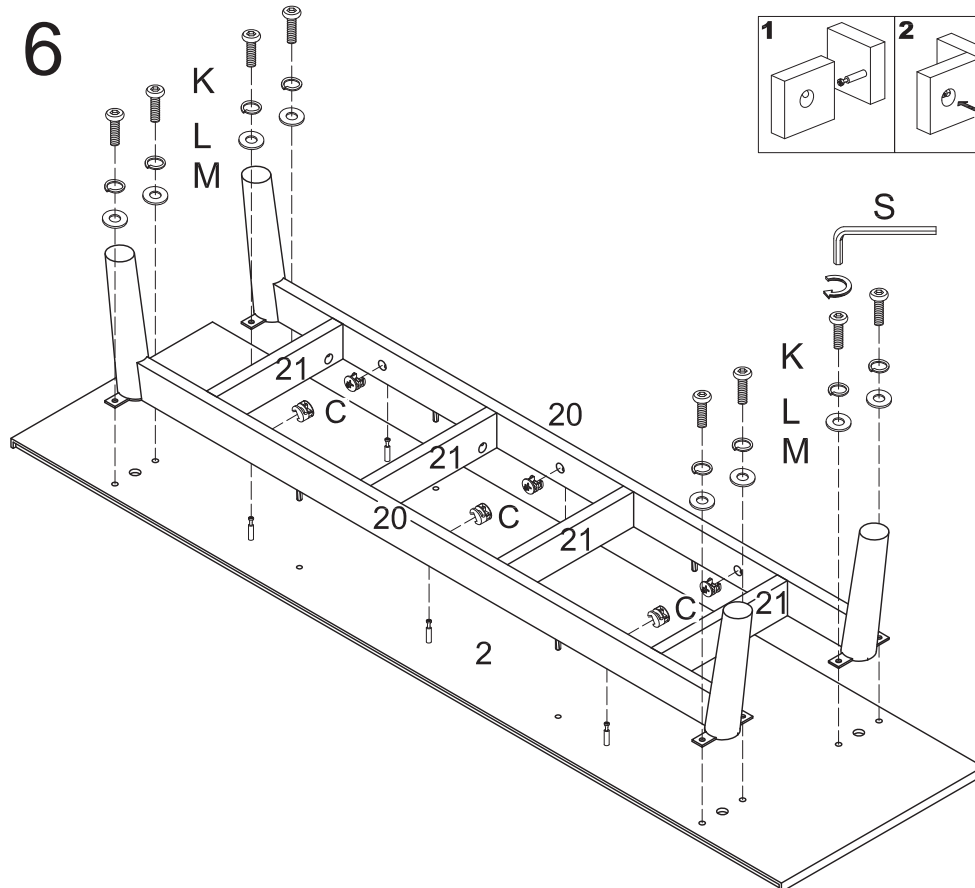
Insert wooden dowel (A) into base cross bar (21). Use wrench (S) to secure legs (20) with bolt (J), spring washer (L), washer (M), locking plate (N). Secure cam bolt (B) to legs (20).

Step 5



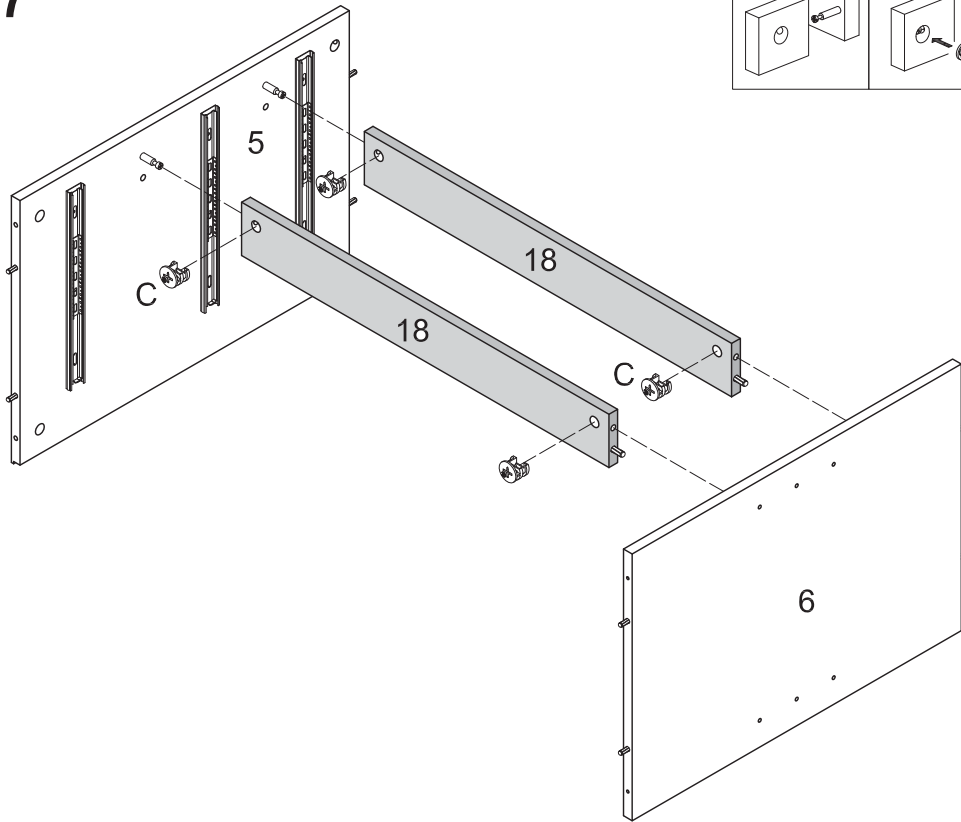
Insert the base cross bar (21) into legs (20), then insert and secure cam lock (C) into base cross bar (21) to lock it.

Step 6



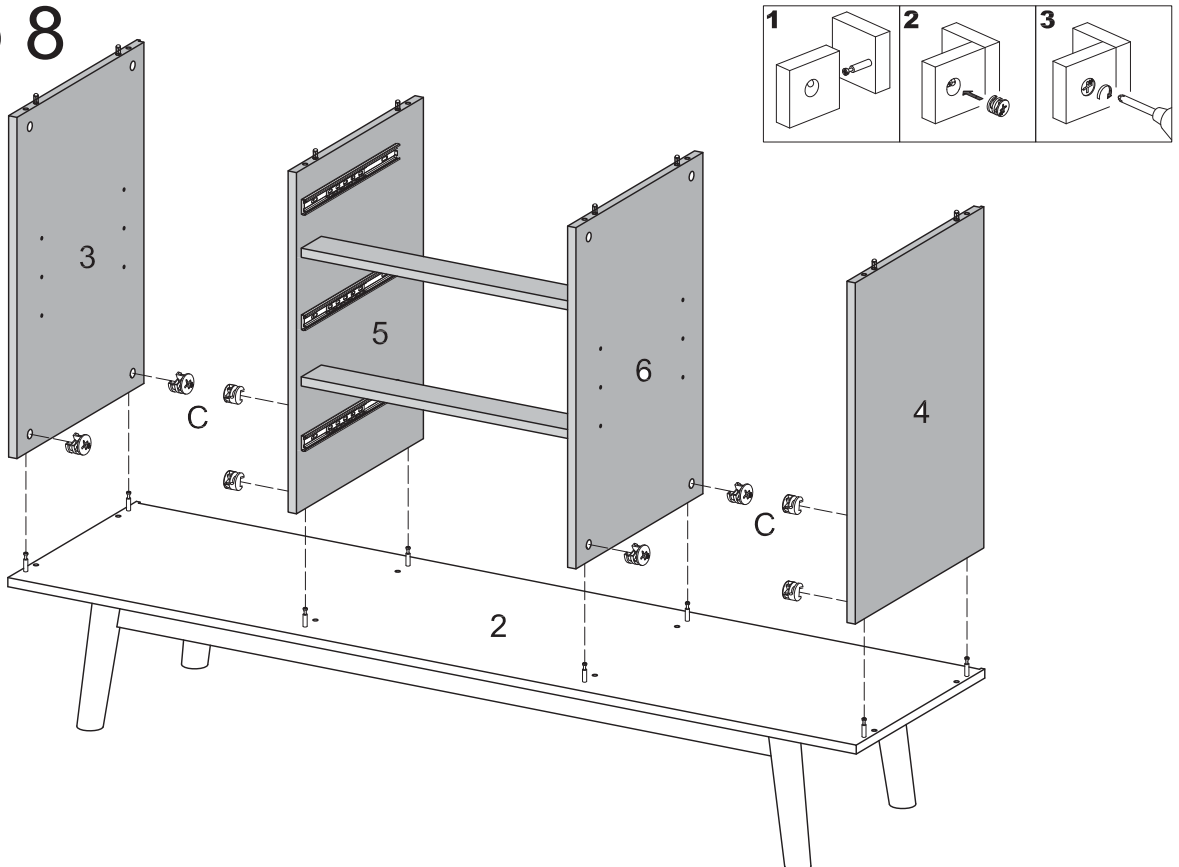
Insert the legs (20) into bottom panel (2), then insert and secure cam lock (C) into legs (20) to lock it. Use wrench (S) to secure legs (20) to bottom panel (2) with bolt (K), spring washer (L), and washer (M).

Step 7



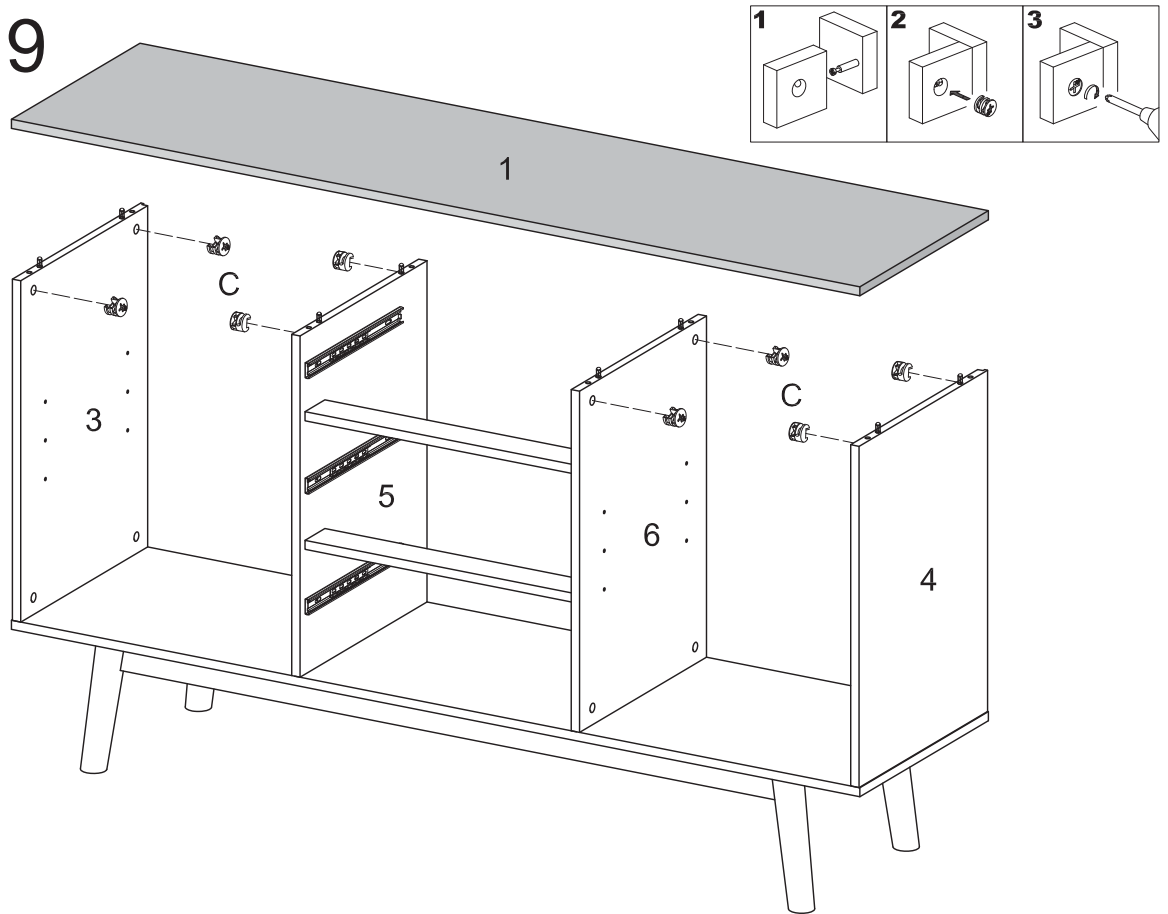
Insert middle cross bar into middle side panel (5,6), then insert and secure cam lock (C) into middle cross bar (18) to lock it.

Step 8



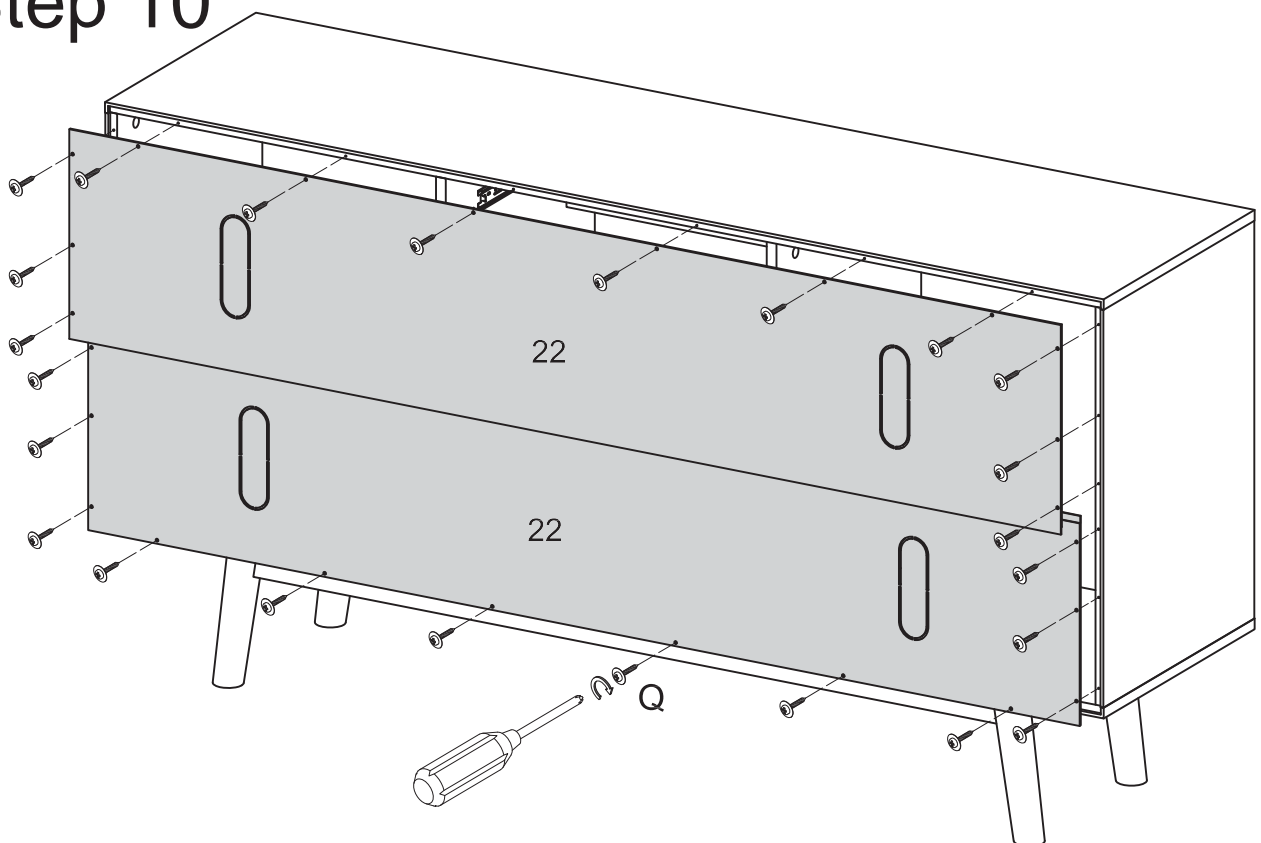
Insert side panel (3,4) and middle side panel (5,6) into bottom panel (2), then insert and secure cam lock (C) into side panel (3,4) and middle side panel (5,6) to lock it.

Step 9



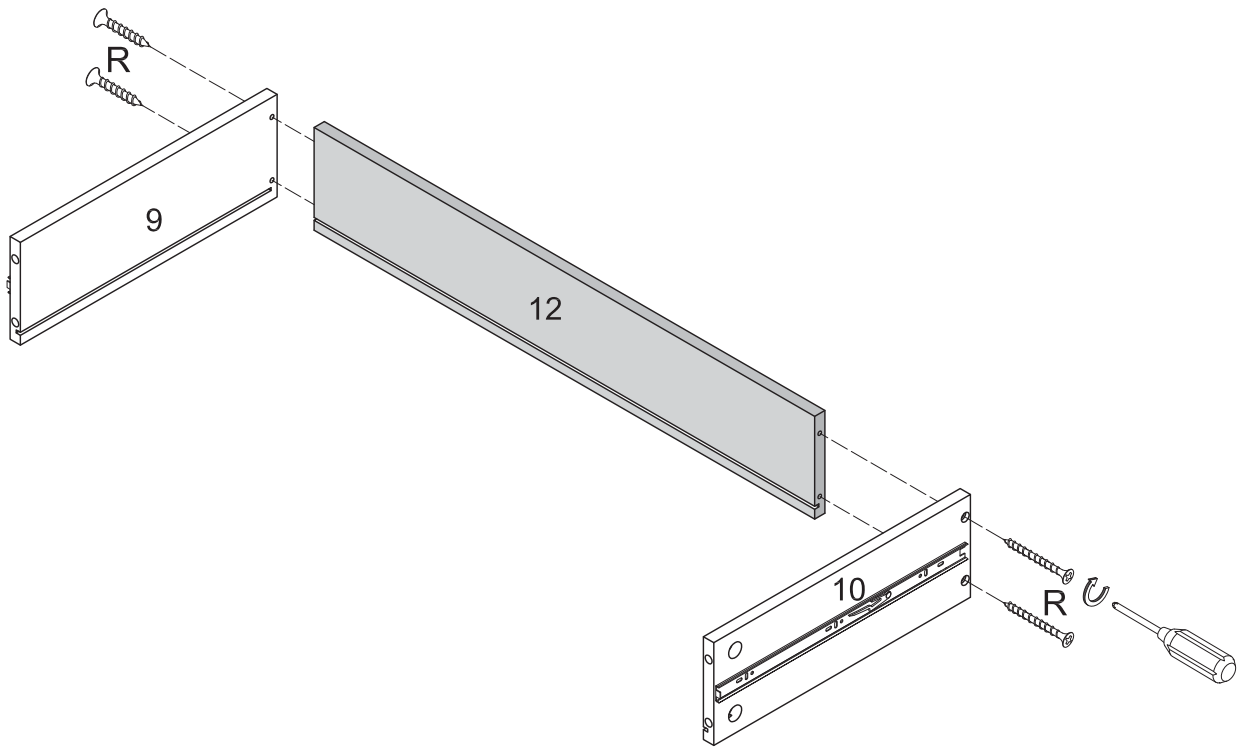
Insert the top panel (1) to side panel (3,4) and middle side panel (5,6), then insert and secure cam lock (C) into side panel (3,4) and middle side panel (5,6) to lock it.

Step 10



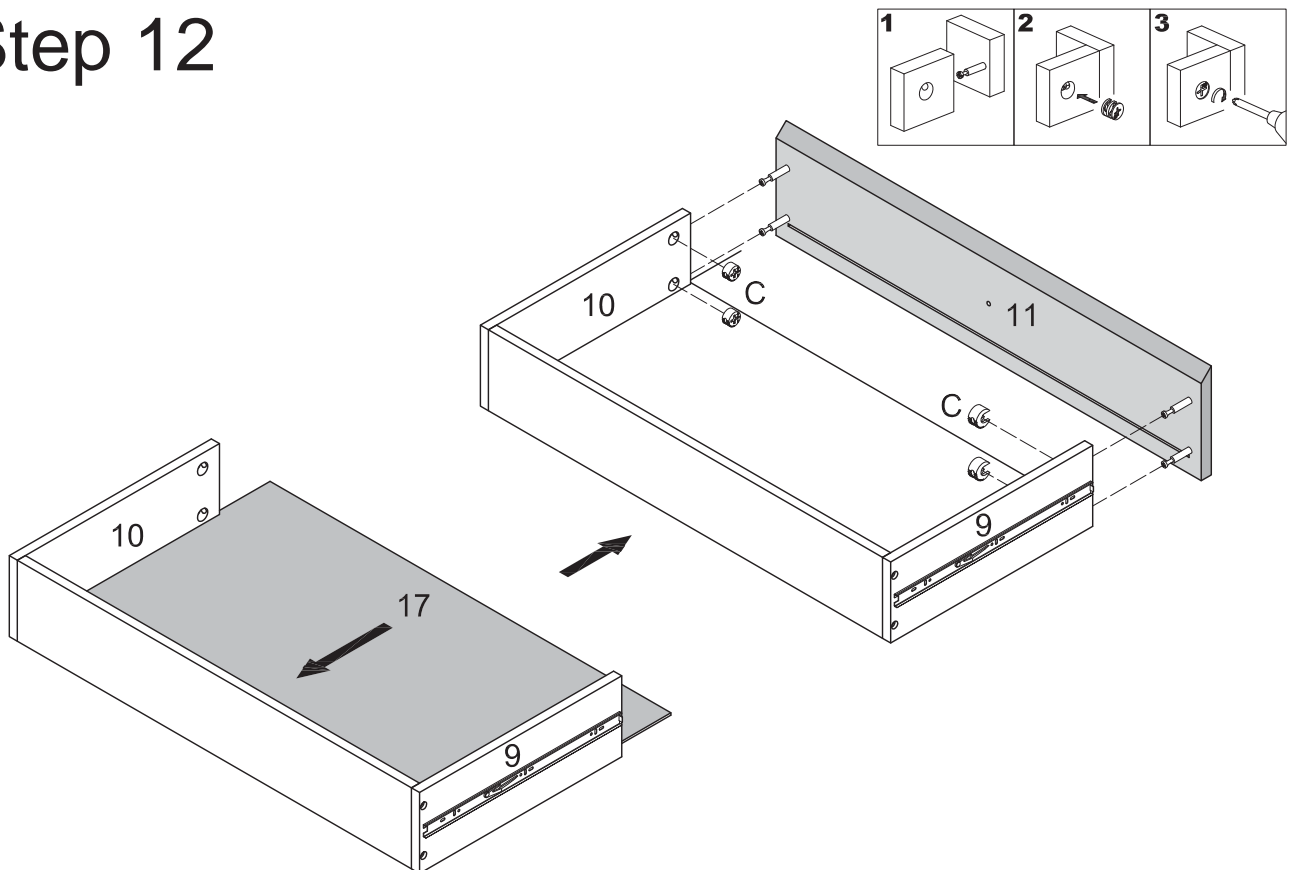
Secure back panels (22) with screw (Q)

Step 11



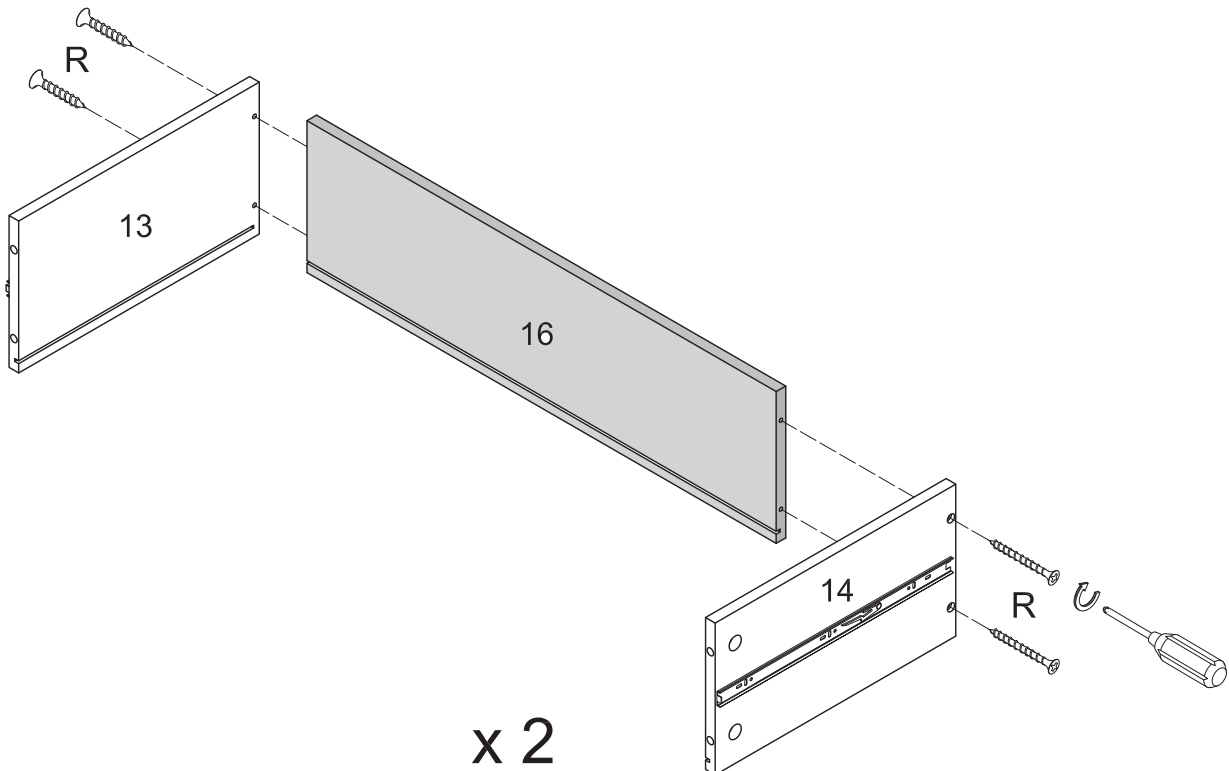
Secure drawer side panels (9,10) to drawer back panel (12) with screw (R).

Step 12



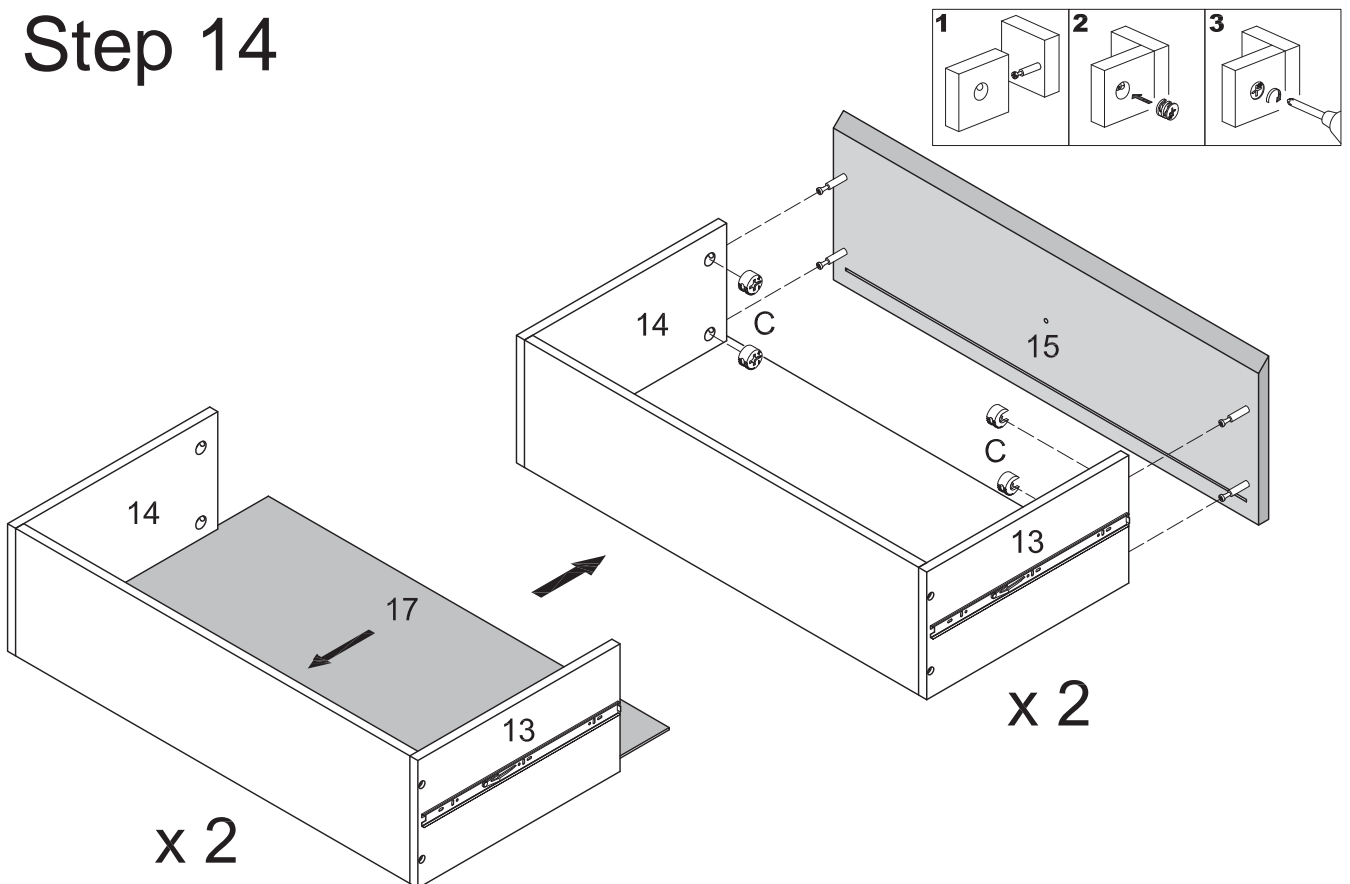
Insert drawer base panel (17) as per diagram. Insert drawer front panel (11) into drawer side panel (9,10), then insert and secure cam lock (C) to drawer side panel (9,10) to lock it.

Step 13



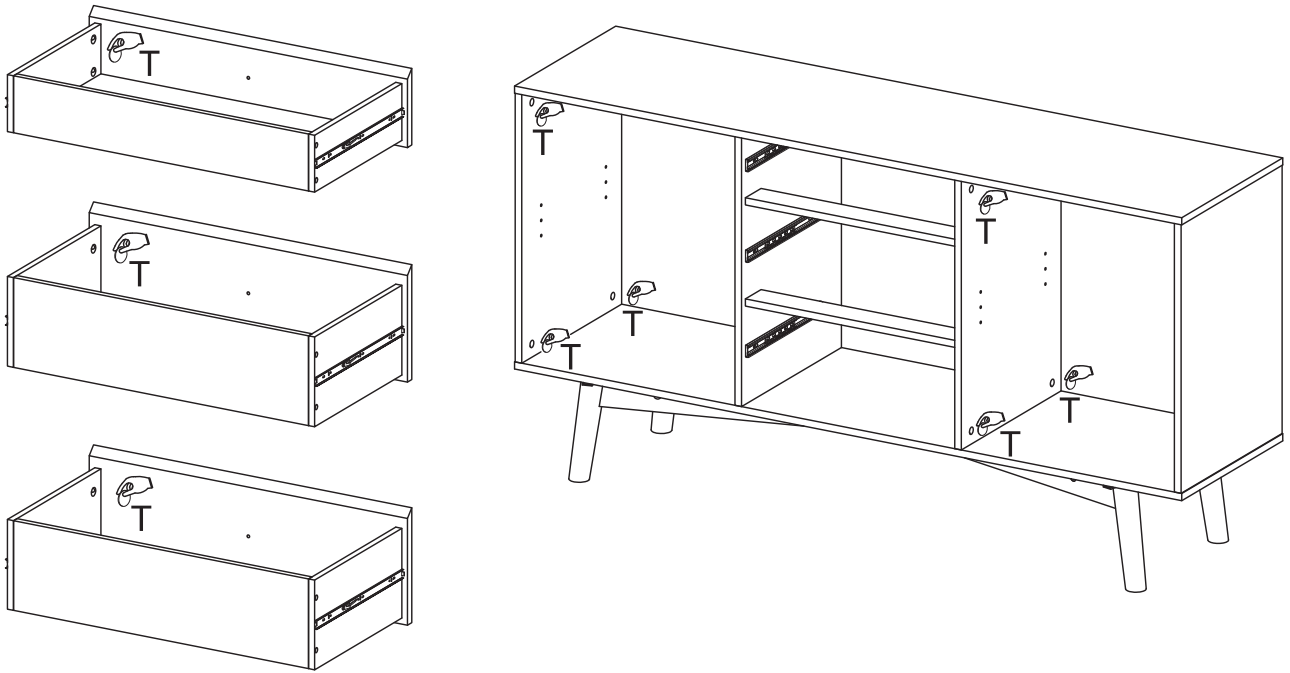
Secure drawer side panels (13,14) to drawer back panel (16) with screw (R).

Step 14



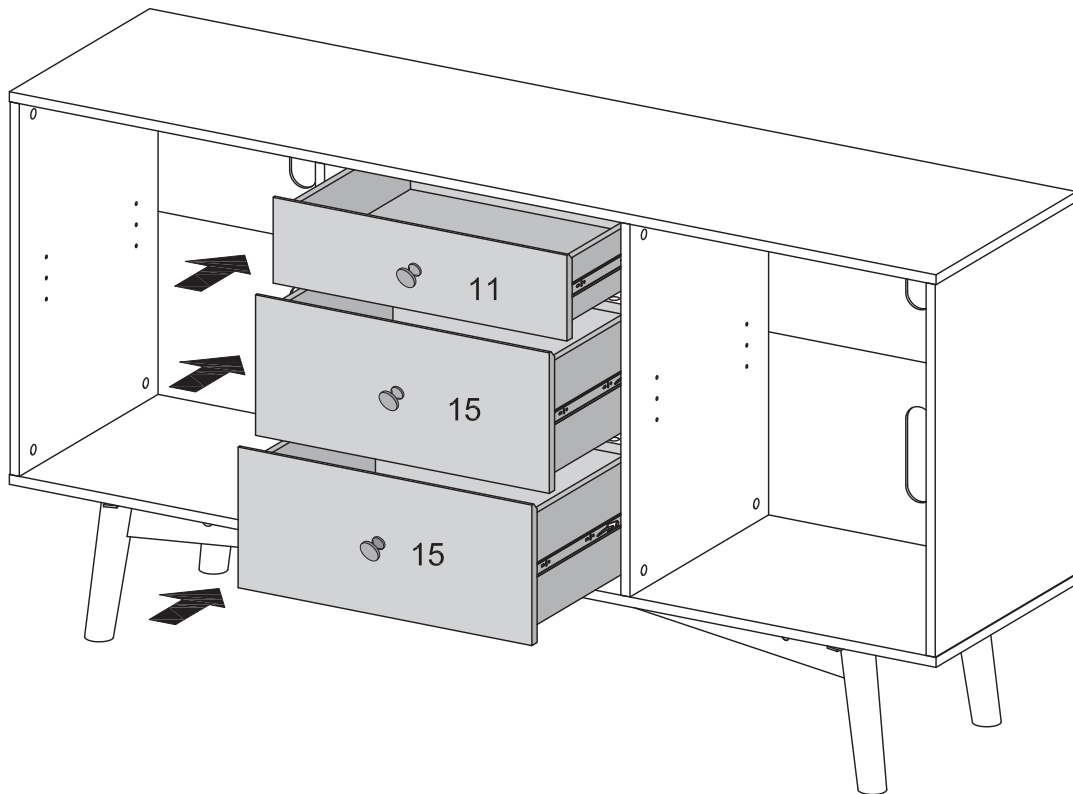
Insert drawer base panel (17) as per diagram. Insert drawer front panel (15) into drawer side panel (13,14), then insert and secure cam lock (C) to drawer side panel (13,14) to lock it.

Step 15



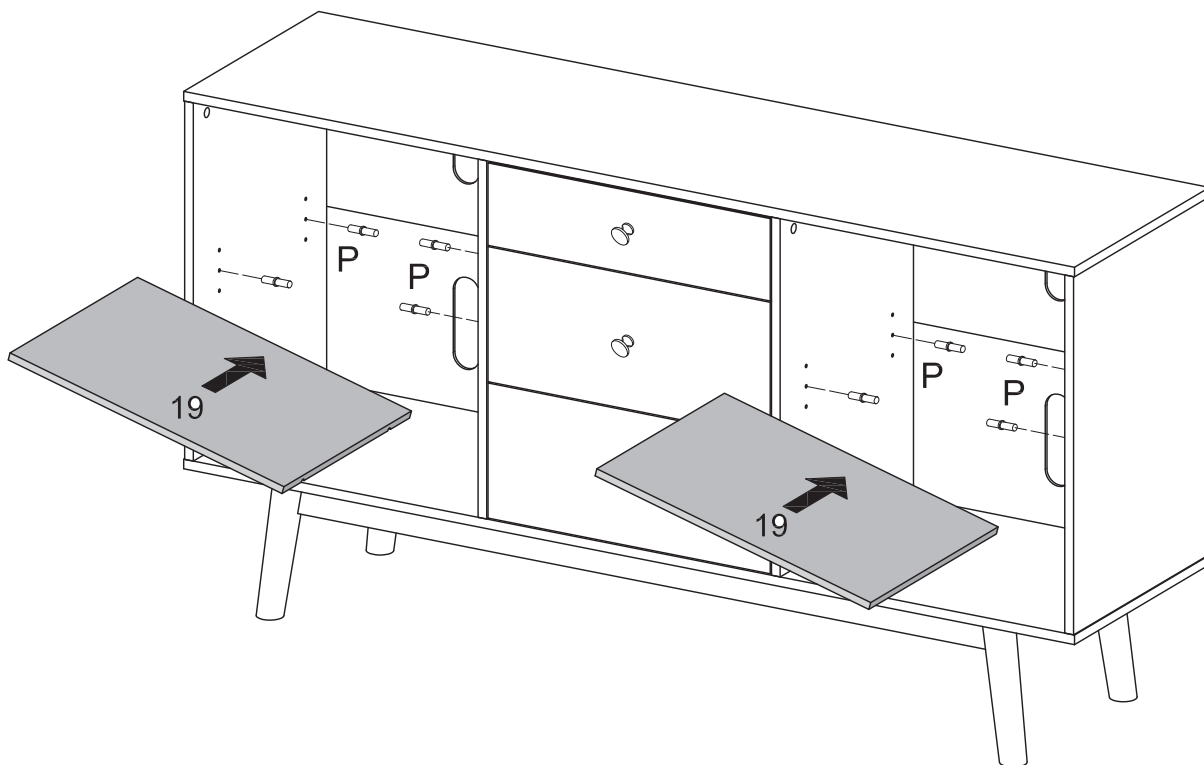
Place sticker (T) over holes inside drawers as per diagram.

Step 16



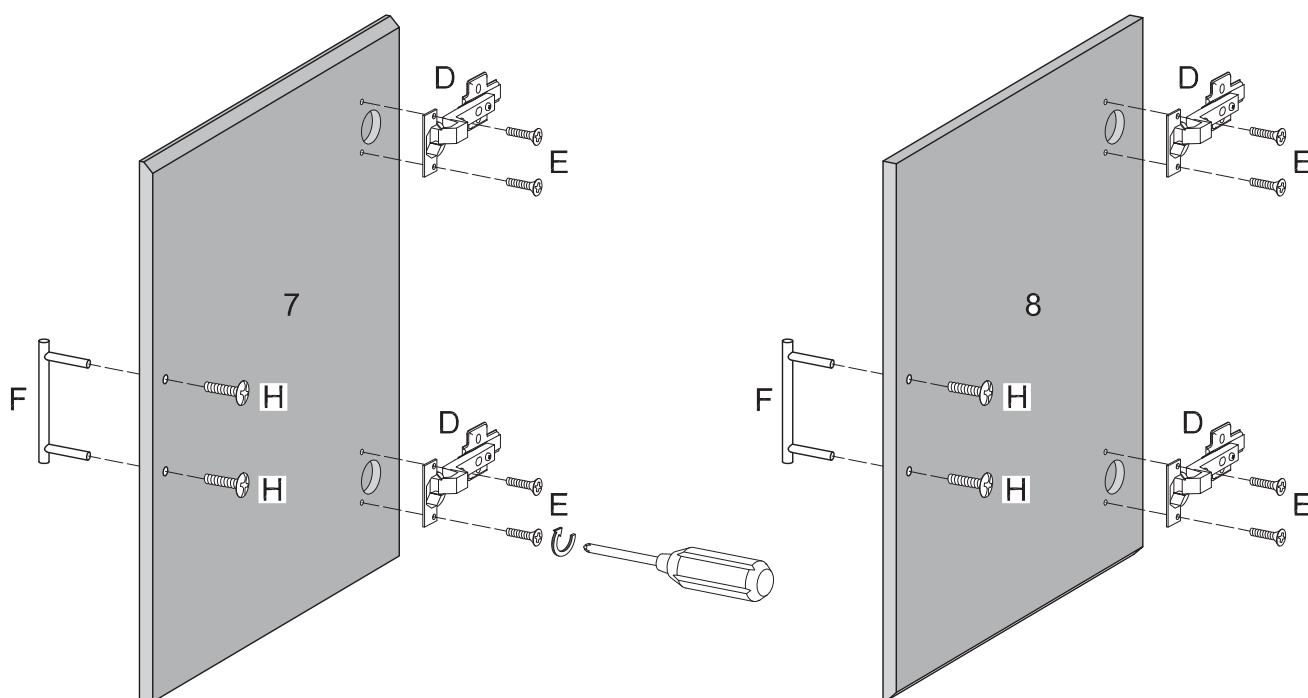
Insert the drawer (11,15) carefully as per diagram.

Step 17



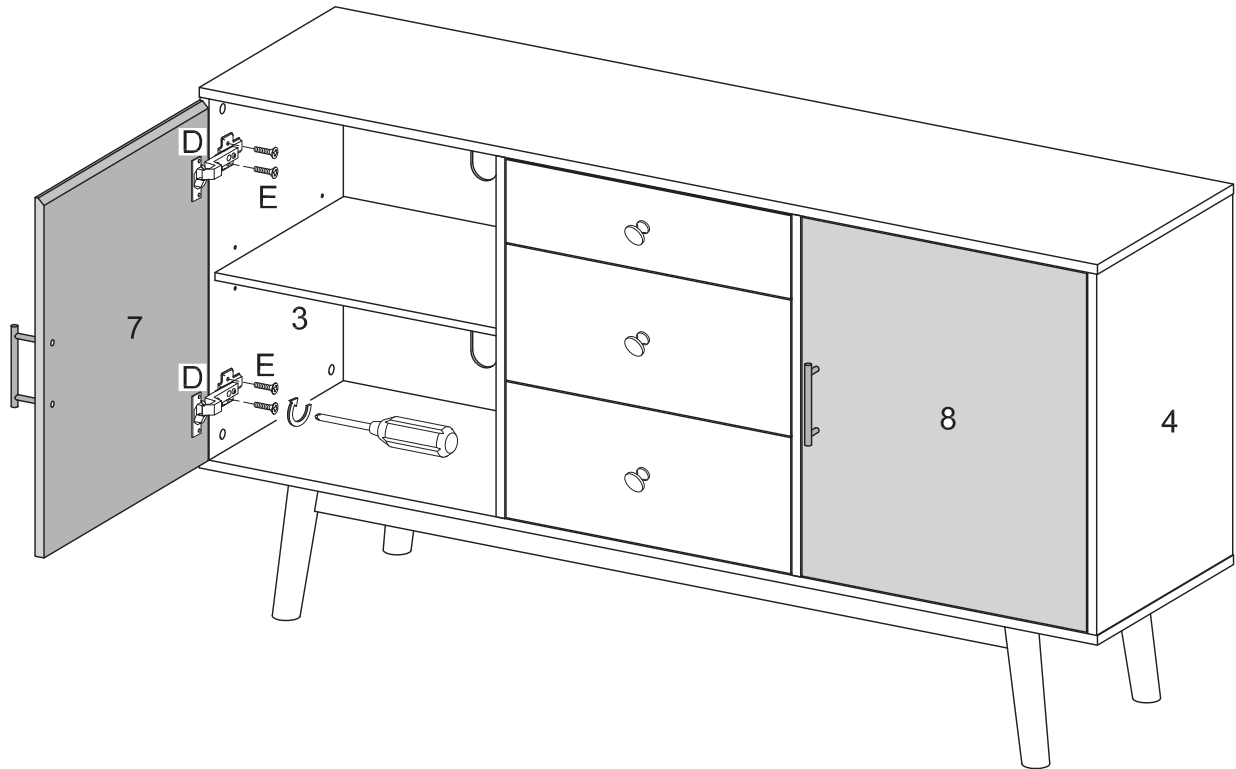
Insert shelf support pins (P) into side panel (3,4) and middle side panel (5,6), then place shelf (19) on top of the support pins (P).

Step 18



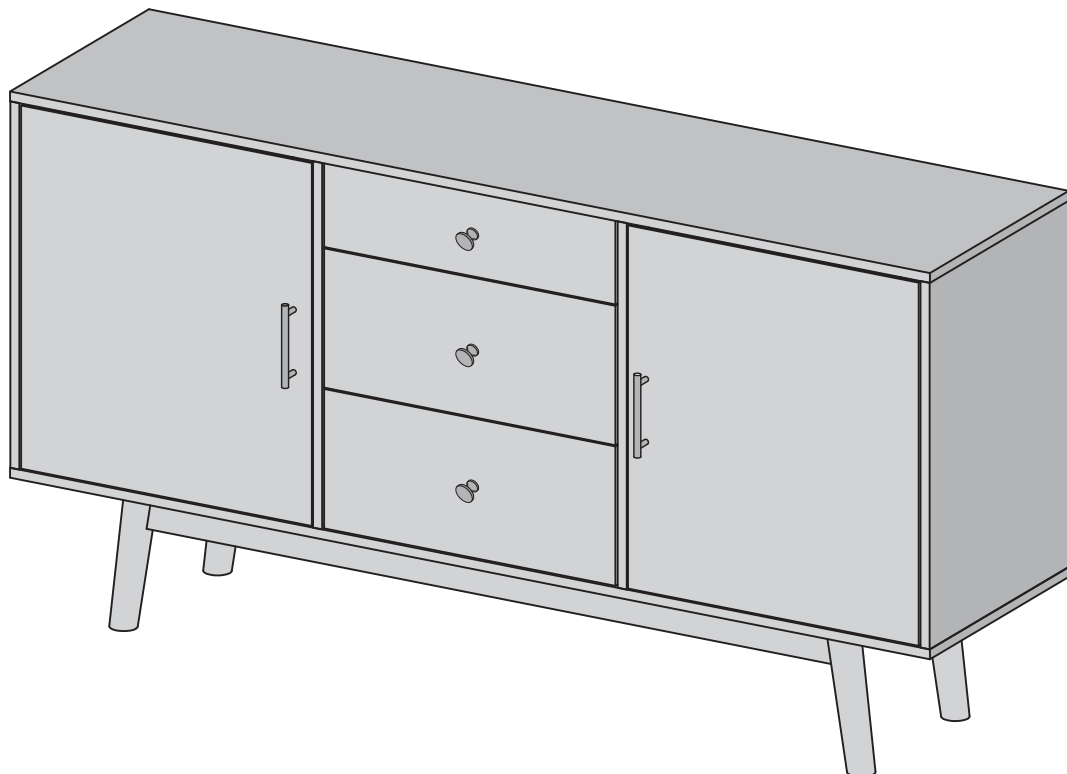
Attach handle (F) to door (7,8) with handle screw (H). Secure hinge (D) to door (7,8) with door hinge screws (E).

Step 19



Secure hinge (D) and door (7,8) to side panel (3,4) with door hinge screw (E).

Step 20



Final Assembly