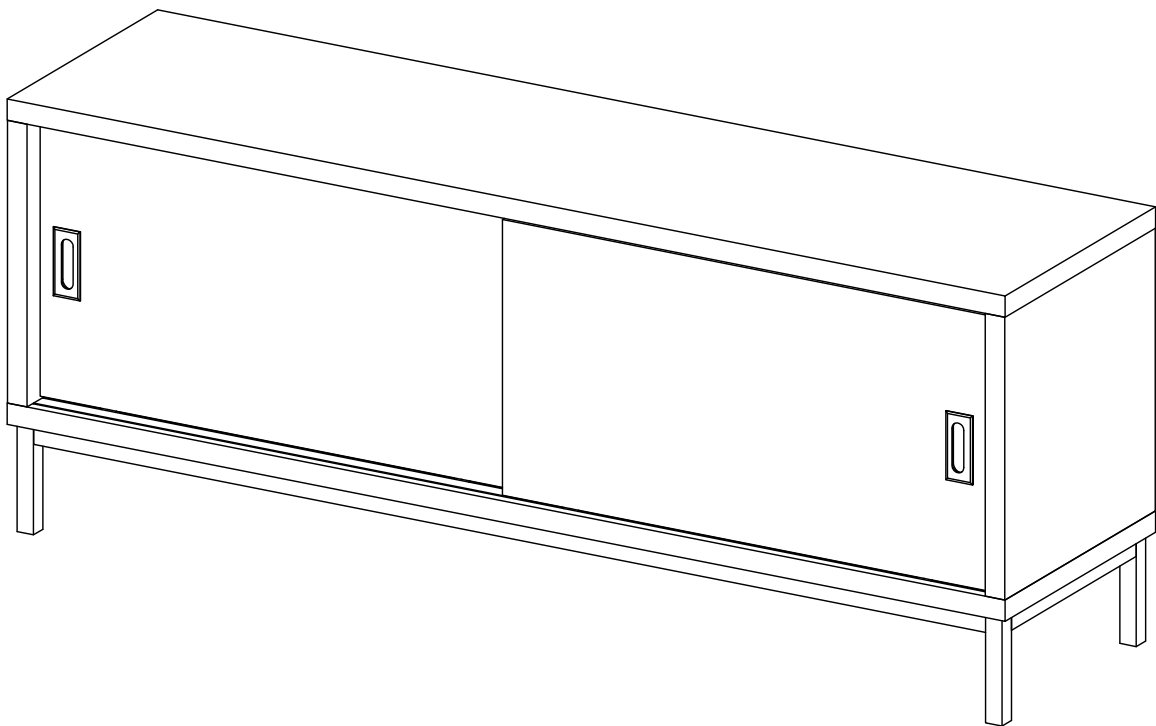


WE Walker[®]
Edison
furniture company

Item # : W60MHOP
Assembly Instructions

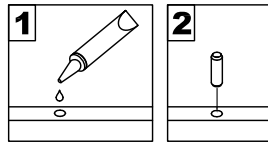


Please visit our website for the most current instructions, assembly tips, report damage, or request parts. www.walkeredison.com

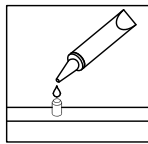
Revised 04/2017

General Assembly Guidelines

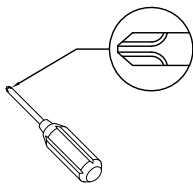
- I. Ensure that all parts and hardware are available before beginning assembly.
- II. Follow each step carefully to ensure the proper assembly of this product.
- III. Two people are recommended for ease in the assembly of this product.
- IV. The three main types of hardware used to assemble this product are : wood dowels , screws and bolts.
- V. The provided glue is to secure wood dowels in place . When first inserting dowels , locate the appropriate hole for the dowel , place a small amount of glue in the hole and insert the dowel . Wipe away excess glue immediately.



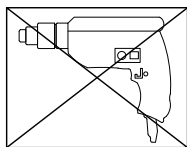
In future assembly steps when dowels are necessary to attach assembly parts together , place a small amount of glue on the end of the dowel before attaching parts together . Wipe away excess glue immediately.



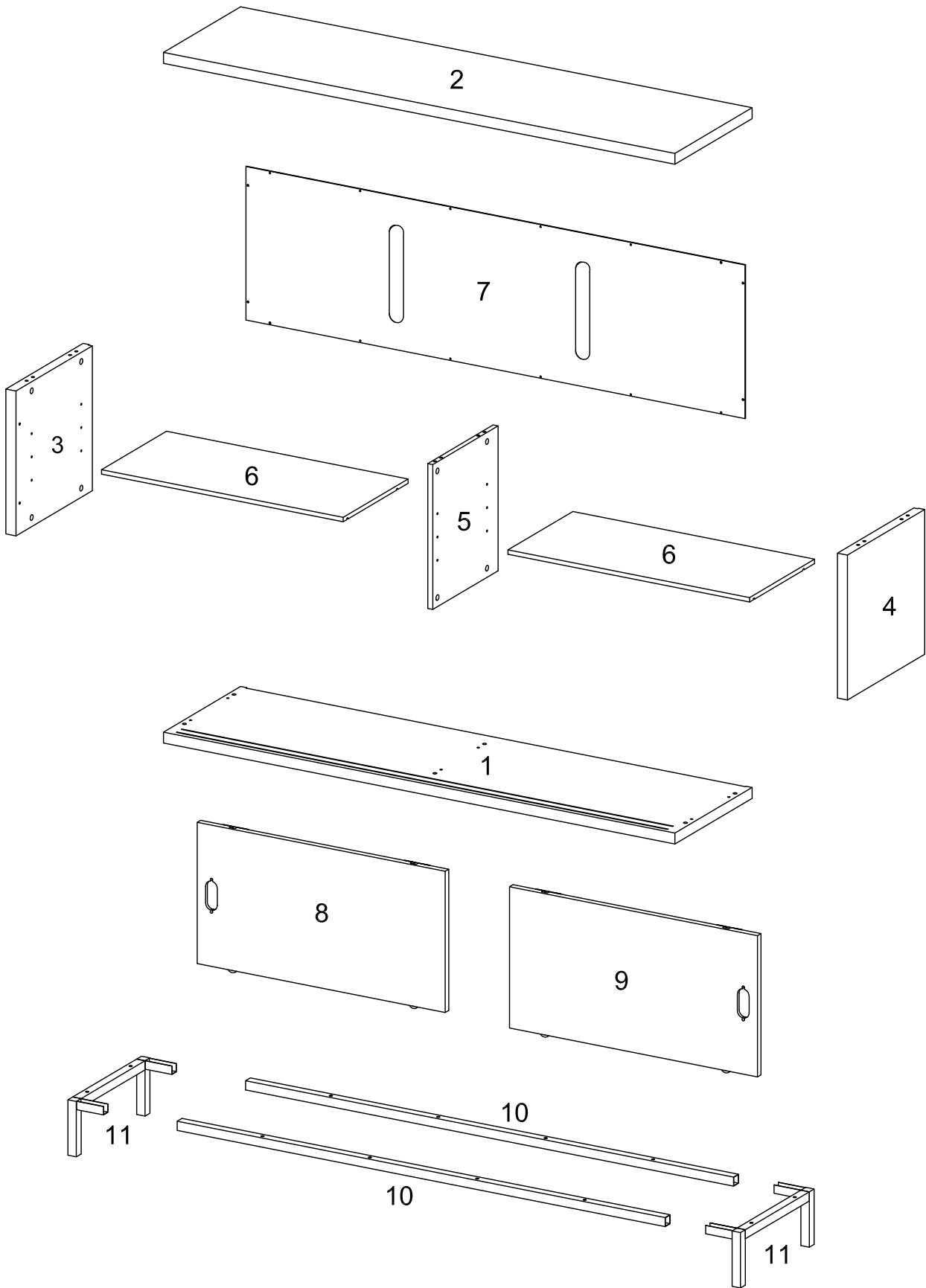
- VI. A Phillips head screwdriver is required for the assembly of this product .











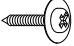
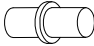



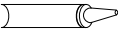
- VII. Power tools should not be used to assemble this product .

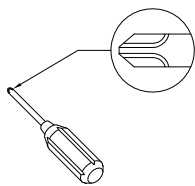


Parts List



Hardware List

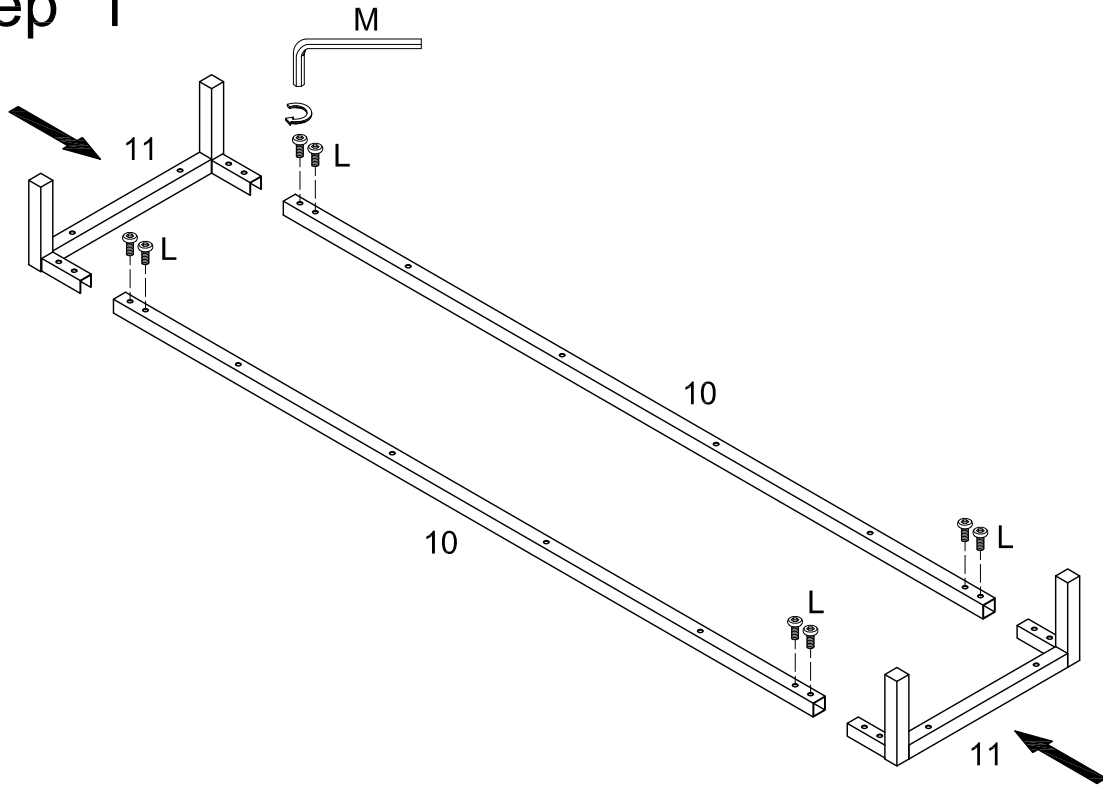
A		Ø8x30mm	Wooden dowel	12 pcs
B		Ø15x9.5mm	Cam lock	12 pcs
C		Ø6x32mm	Cam bolt	12 pcs
D		100x44x10mm	Handle	2 pcs
E		Ø4x12mm	Bolt	4 pcs
F		Ø6x40mm	Bolt	12 pcs
G			Spring washer	12 pcs
H			Washer	12 pcs
J		Ø3x12mm	Screw	16 pcs
K		Ø5x16mm	Shelf support pin	8 pcs
L		Ø1/4"x12mm	Bolt	8 pcs
M		M4	Wrench	1 pc
N		Ø30	Sticker	12 pcs
P			Glue tube	1 pc



Philips head screwdriver required for assembly
(not included)

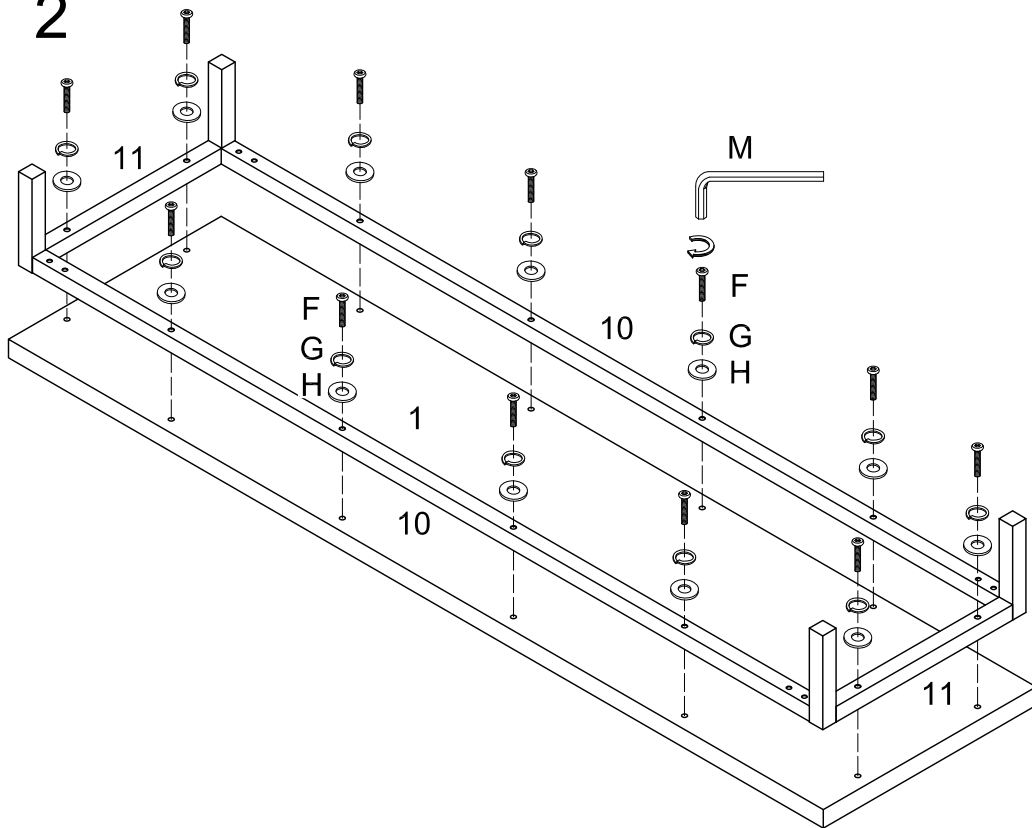
*The hardware quantities listed above are required for proper assembly.
Some extra hardware may also have been included.*

Step 1



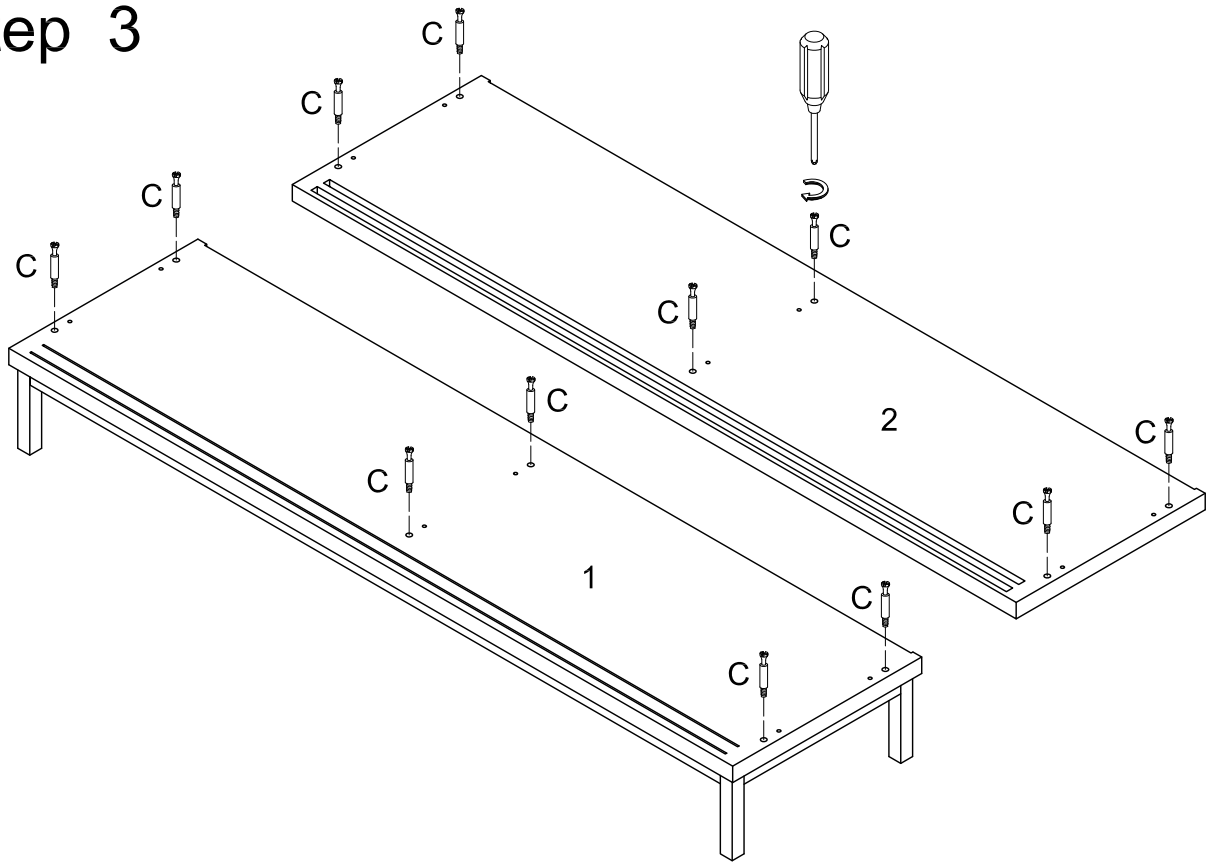
Insert legs (11) into cross bar (10), and use wrench (M) to secure cross bar (10) with bolt (L).

Step 2



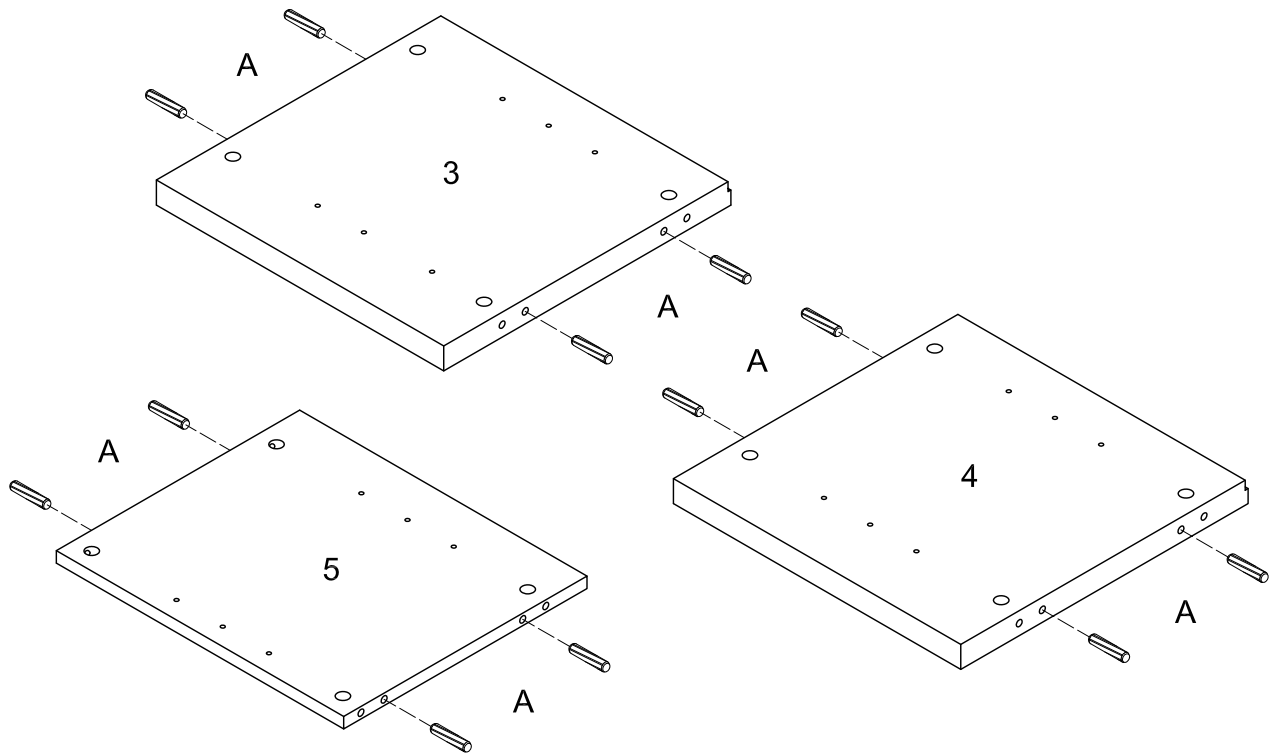
Use wrench (M) to secure legs (11) and cross bar (10) to bottom panel (1) with bolt (F), spring washer (G), and washer (H).

Step 3



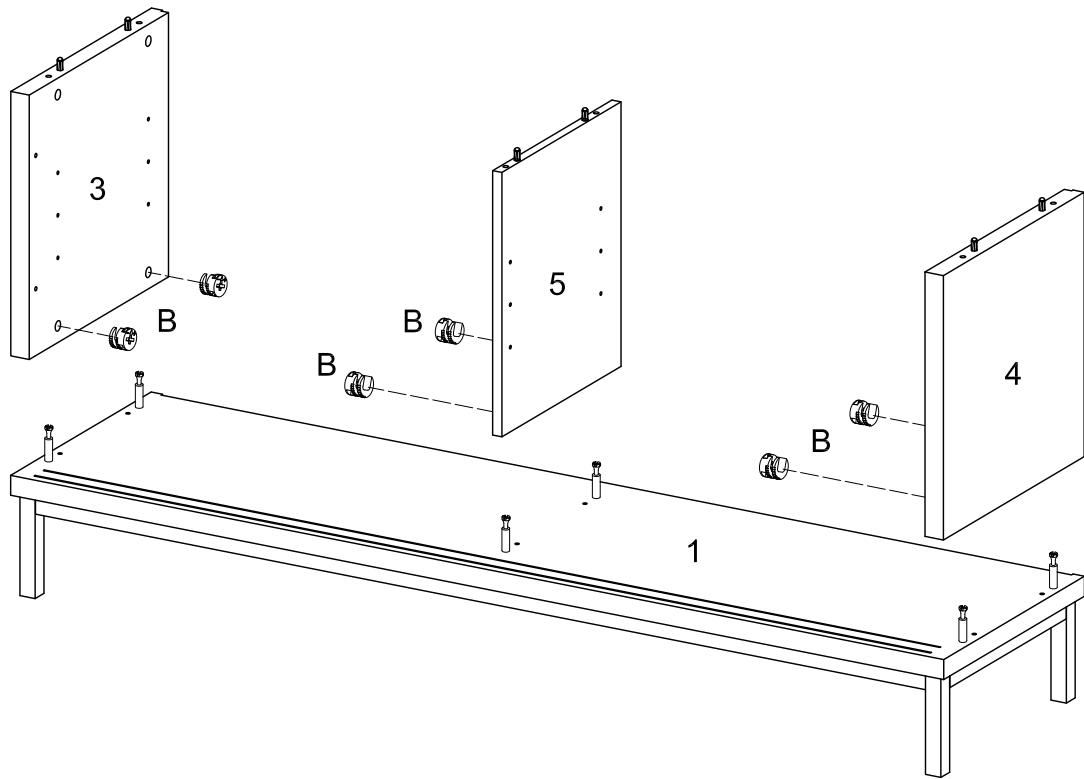
Secure cam bolt (C) into bottom panel (1) and top panel (2).

Step 4



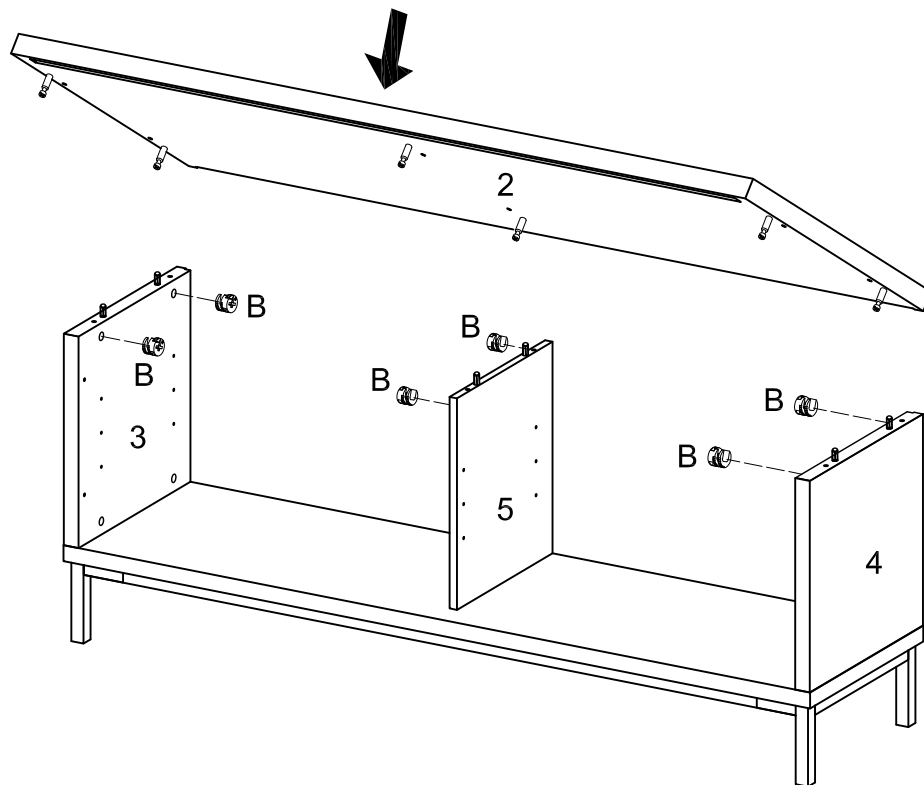
Insert wooden dowel (A) into side panel (3,4,5).

Step 5



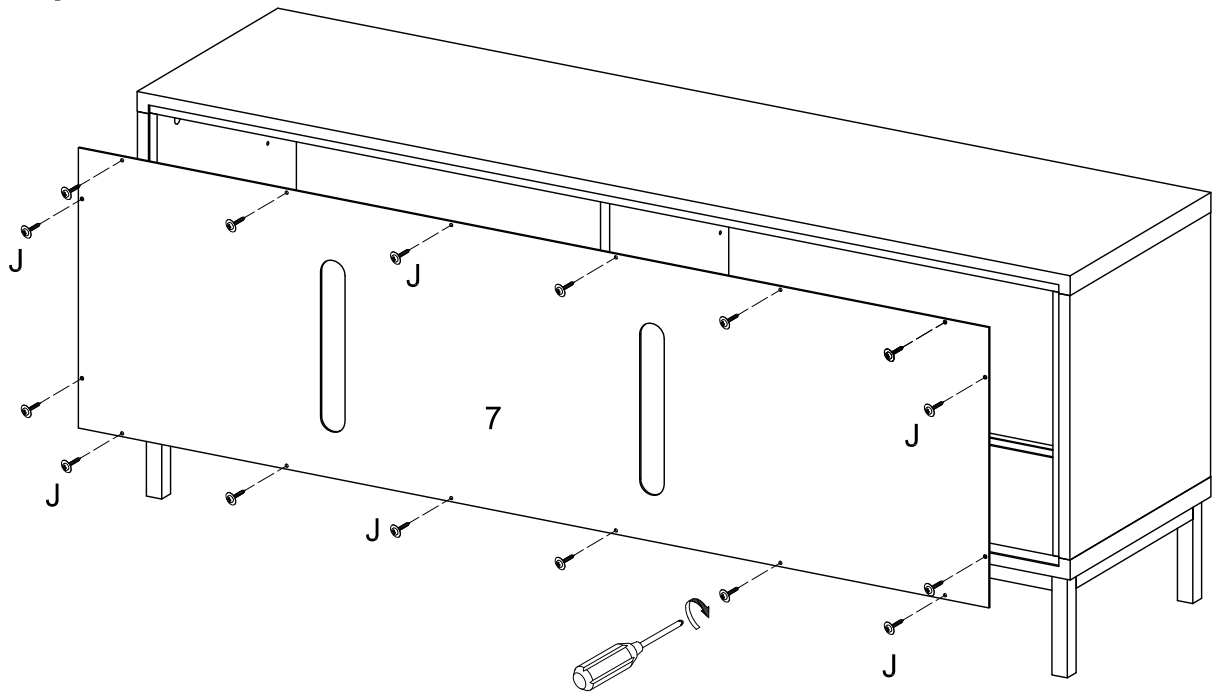
Insert side panel (3,4,5) to bottom panel (1), then insert and secure cam lock (B) to side panel (3,4,5) to lock it.

Step 6



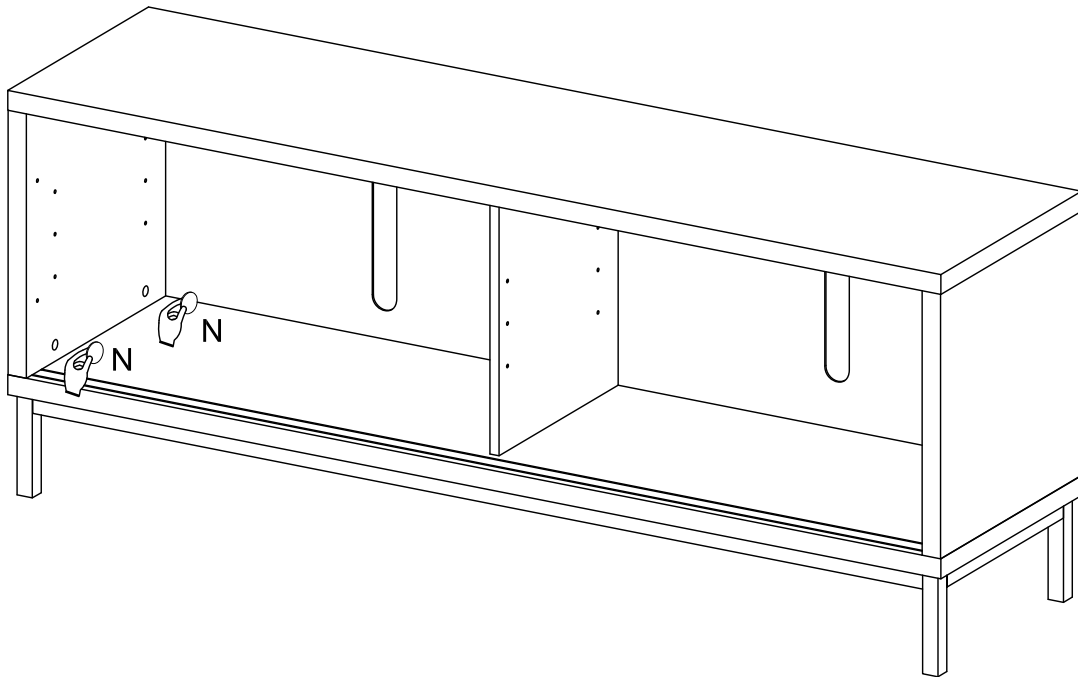
Insert top panel (2) into side panel (3,4,5), then insert and secure cam lock (B) to side panel (3,4,5) to lock it.

Step 7



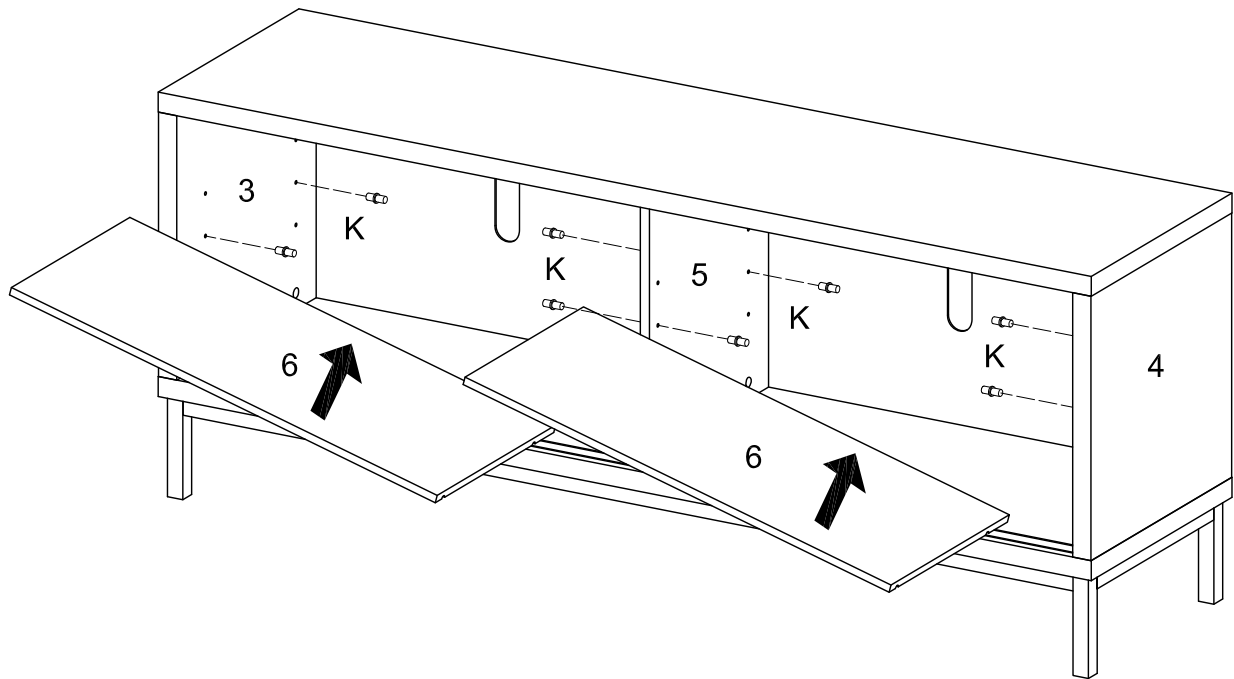
Secure screw (J) to back panel (7).

Step 8



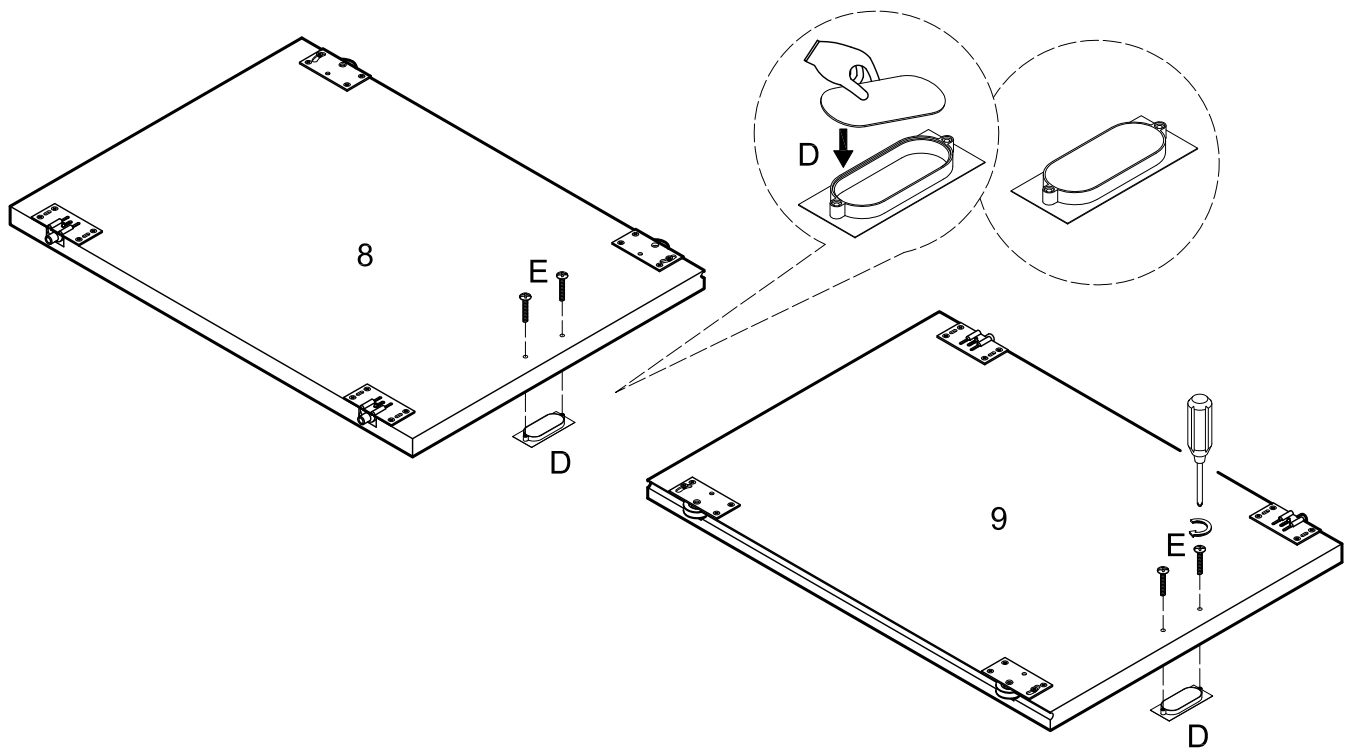
Place stickers (N) on holes to cover, as per diagram

Step 9



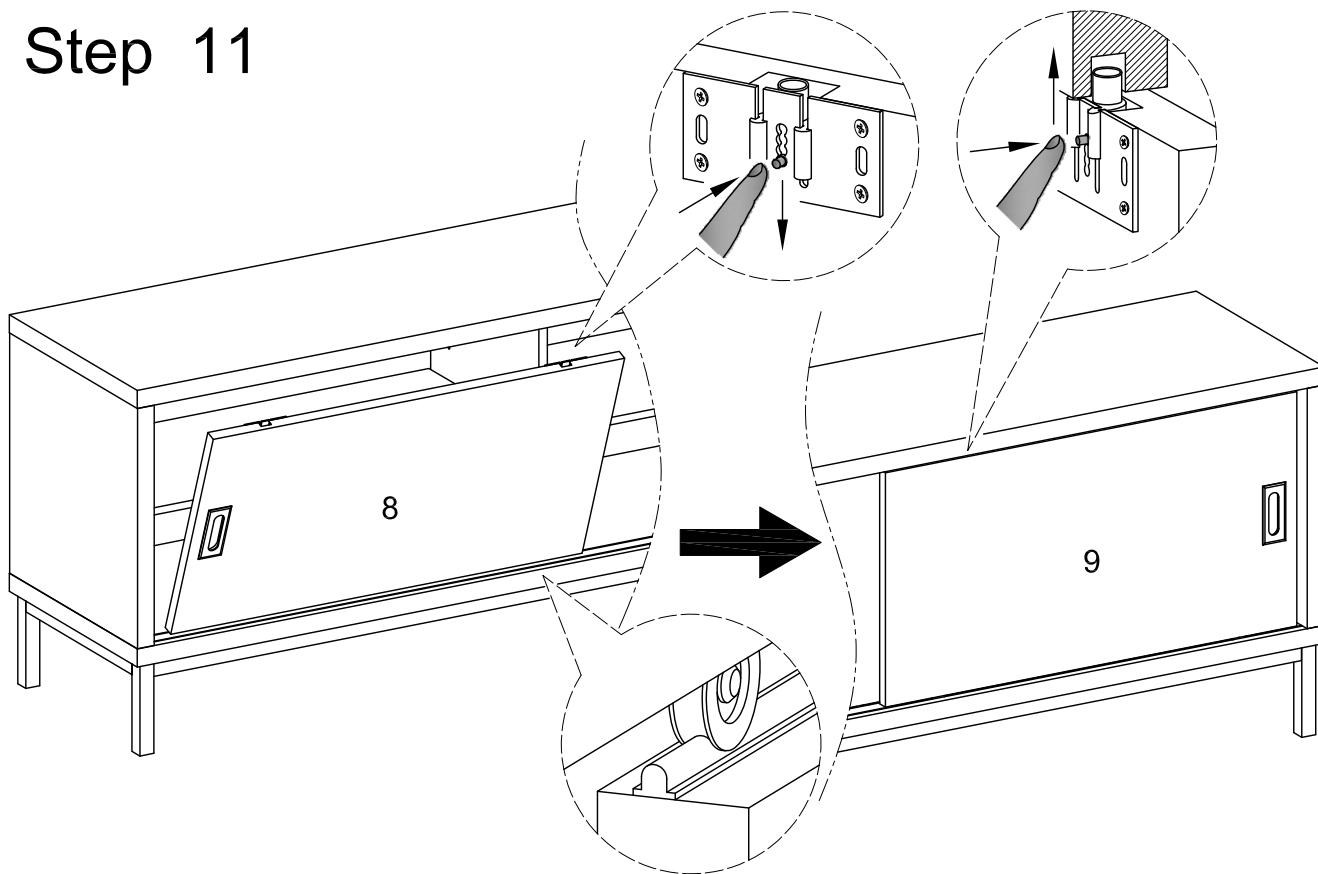
Insert shelf support pin (K) into side panel (3,4,5), then place shelf (6) on top of shelf support pin (K).

Step 10



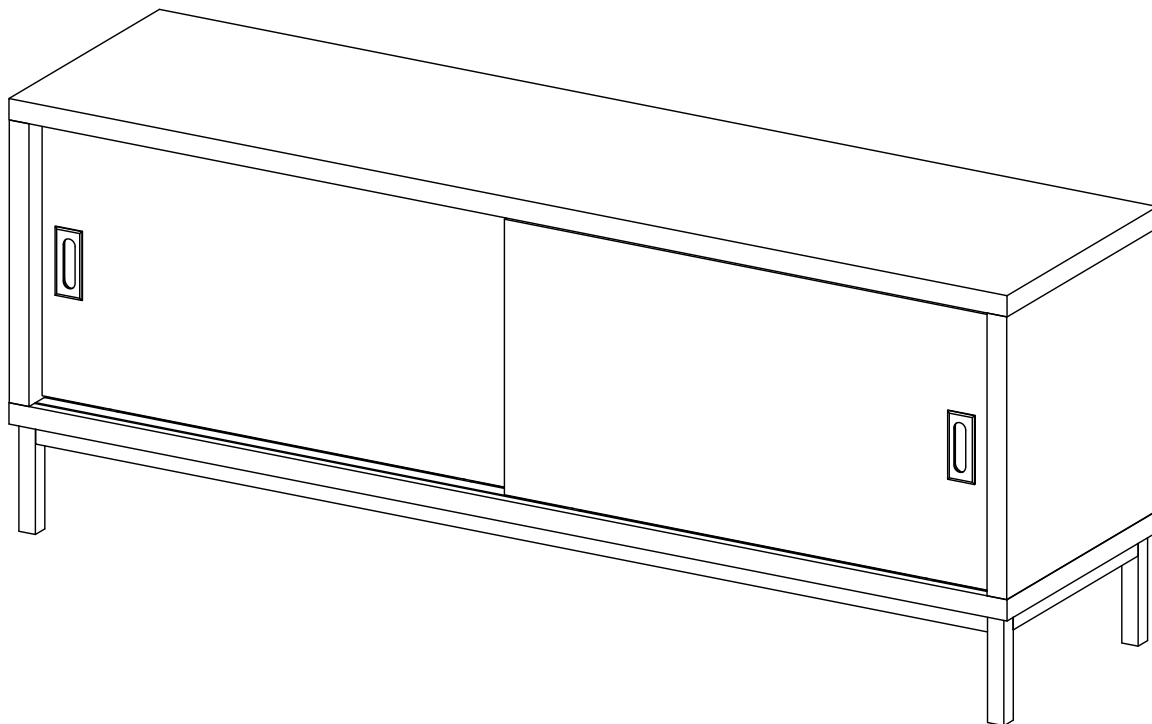
Place handle back(D) on handle (D) as per diagram, attach assembled handle (D) to doors (8,9) with bolts (E).

Step 11



Place door (8,9) carefully on caster as per diagram. Press the door lock down as per diagram, then set door (8,9) in place. Press the door lock up as per diagram to secure sliding door (8,9).

Step 12



Final Assembly