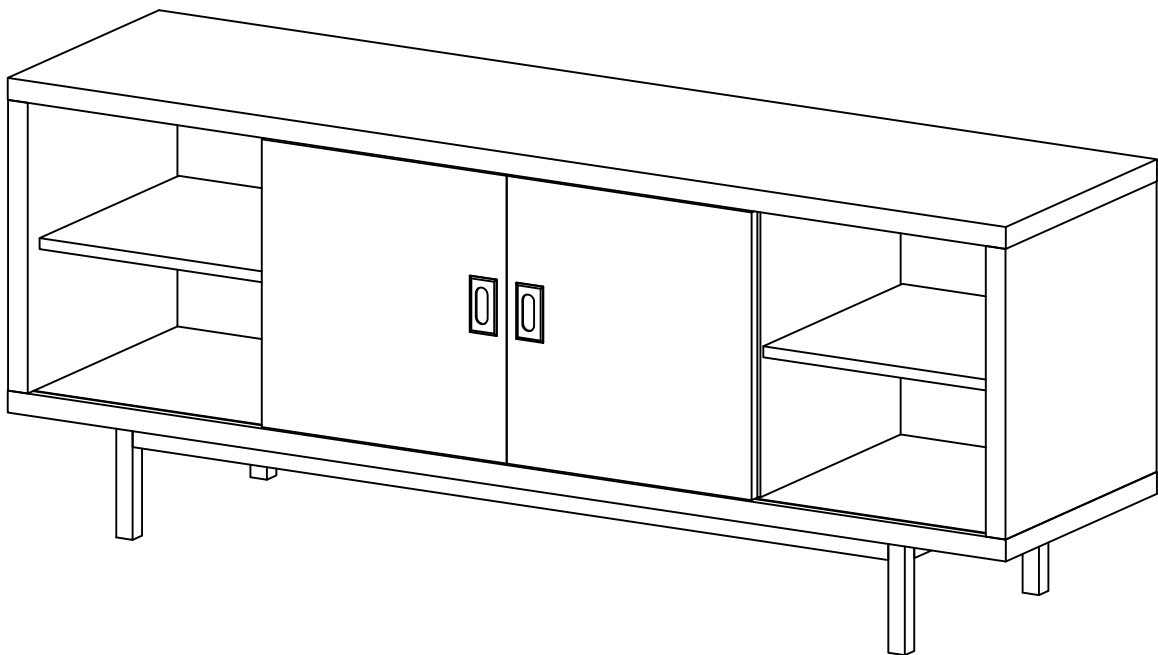


**W** Walker<sup>®</sup>  
Edison  
furniture company

Item # : W60MHSL  
Assembly Instructions

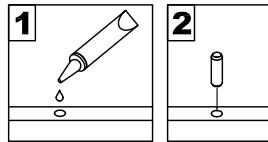


*Please visit our website for the most current instructions, assembly tips, report damage, or request parts. [www.walkeredison.com](http://www.walkeredison.com)*

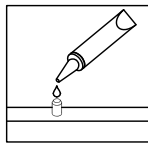
Revised 03/2017

# General Assembly Guidelines

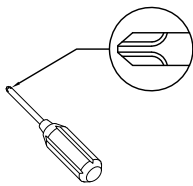
- I. Ensure that all parts and hardware are available before beginning assembly.
- II. Follow each step carefully to ensure the proper assembly of this product.
- III. Two people are recommended for ease in the assembly of this product.
- IV. The three main types of hardware used to assemble this product are : wood dowels , screws and bolts.
- V. The provided glue is to secure wood dowels in place . When first inserting dowels , locate the appropriate hole for the dowel , place a small amount of glue in the hole and insert the dowel . Wipe away excess glue immediately.



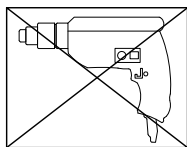
In future assembly steps when dowels are necessary to attach assembly parts together , place a small amount of glue on the end of the dowel before attaching parts together . Wipe away excess glue immediately.



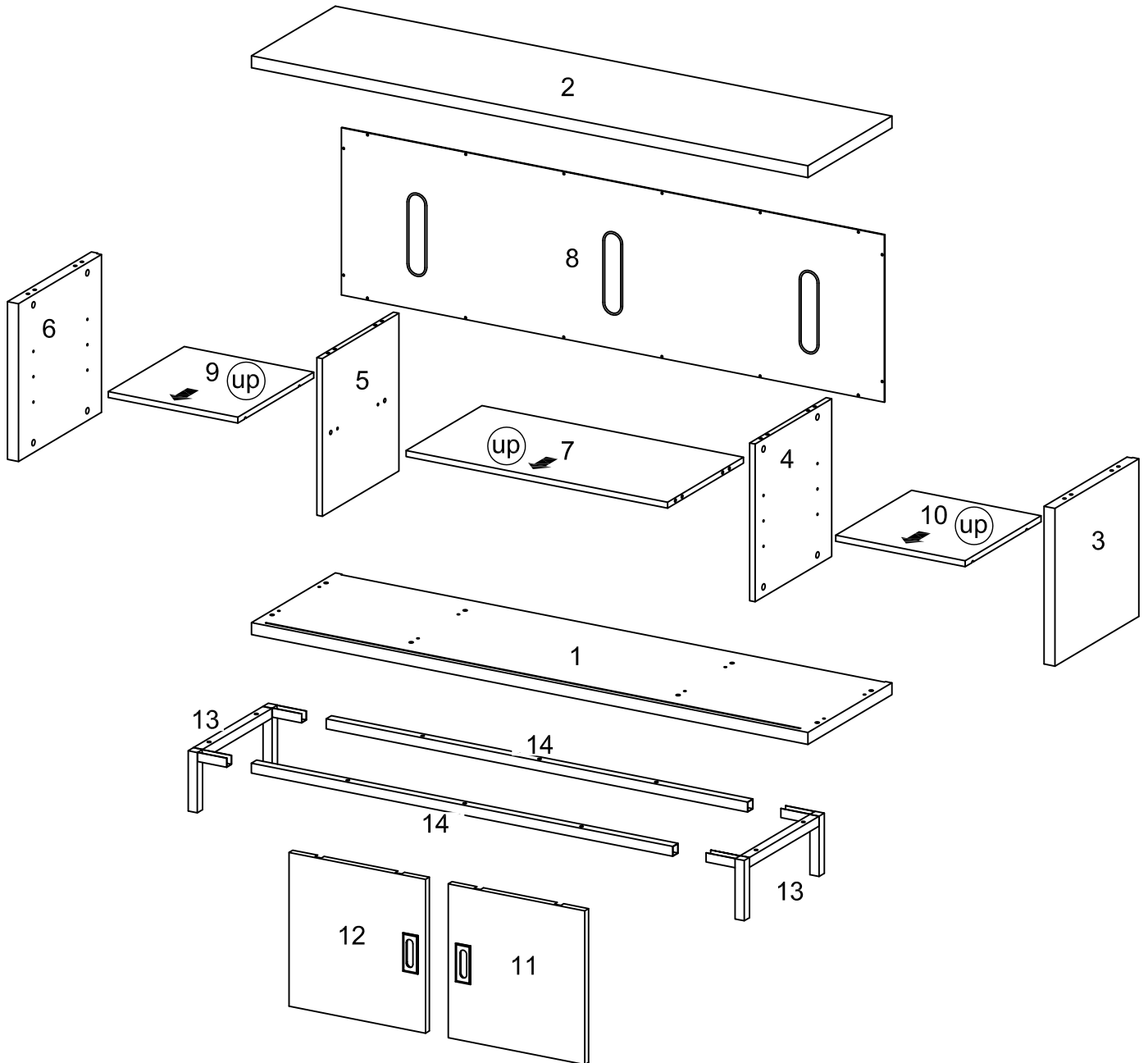
- VI. A Phillips head screwdriver is required for the assembly of this product .












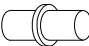




- VII. Power tools should not be used to assemble this product .



# Parts List

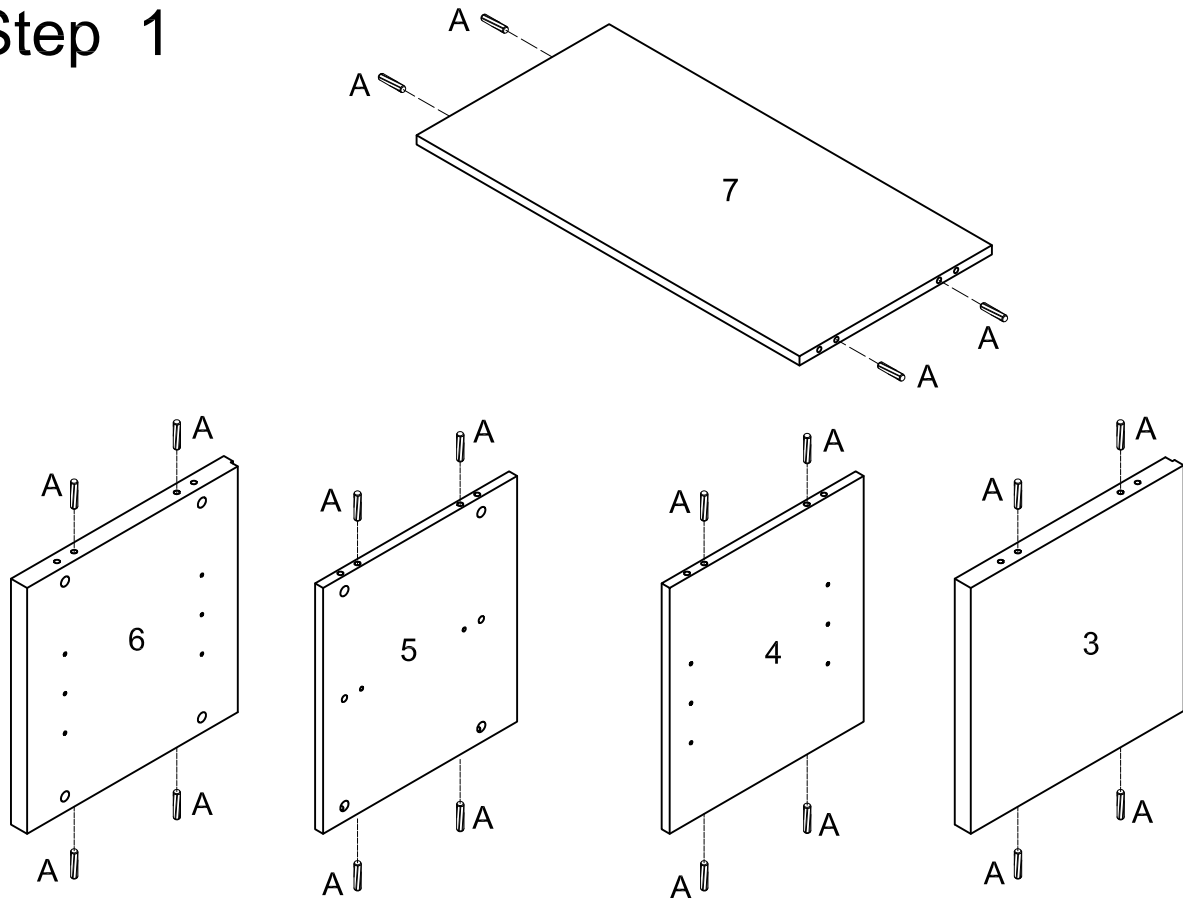


# Hardware List

A		Ø8x30mm	Wooden dowel	20 pcs
B		Ø15x9.5mm	Cam lock	20 pcs
C		Ø6x32mm	Cam bolt	20 pcs
D		100x44x10mm	Handle	2 pcs
E		Ø4x12mm	Handel bolt	4 pcs
F		Ø6x40mm	Bolt	10 pcs
G			Spring washer	10 pcs
H			Washer	10 pcs
J		Ø3x12mm	Screw	16 pcs
K		Ø5x16mm	Shelf support pin	8 pcs
L		Ø6x12mm	Bolt	8 pcs
M		Ø30mm	Sticker	20 pcs
N		M4	Hexagon socket key	1 pc
P			Glue tube	2 pcs

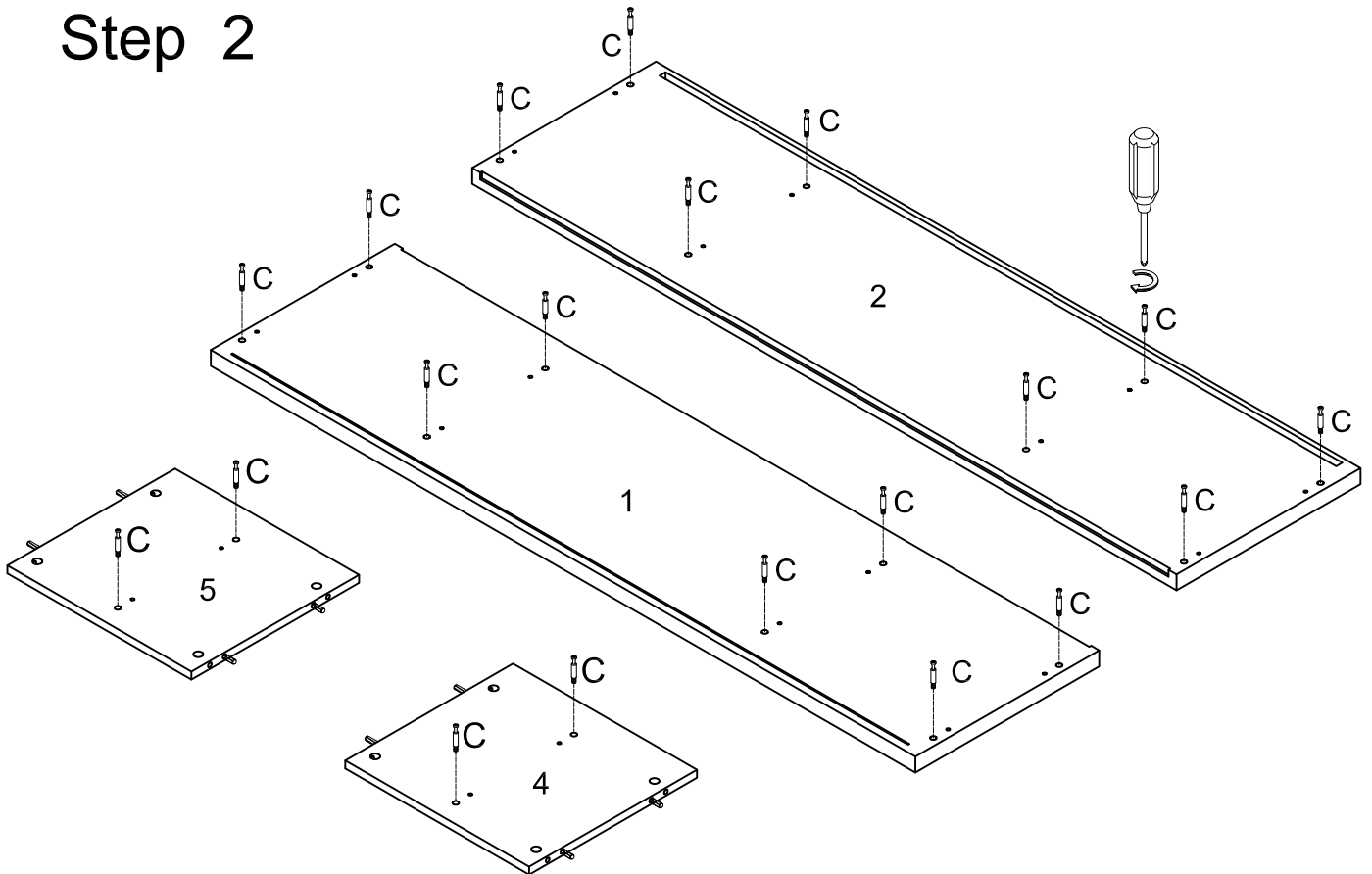
*The hardware quantities listed above are required for proper assembly.  
Some extra hardware may also have been included.*

# Step 1



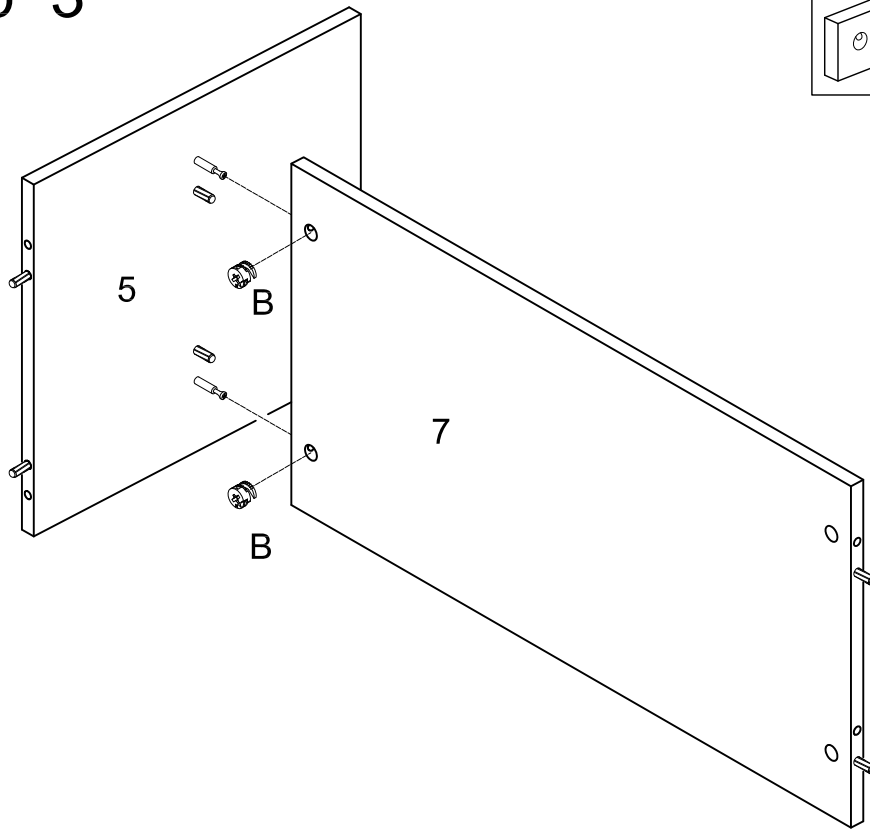
Insert wooden dowel (A) into side panel (3,6), middle side panel (4,5), and shelf (7).

# Step 2



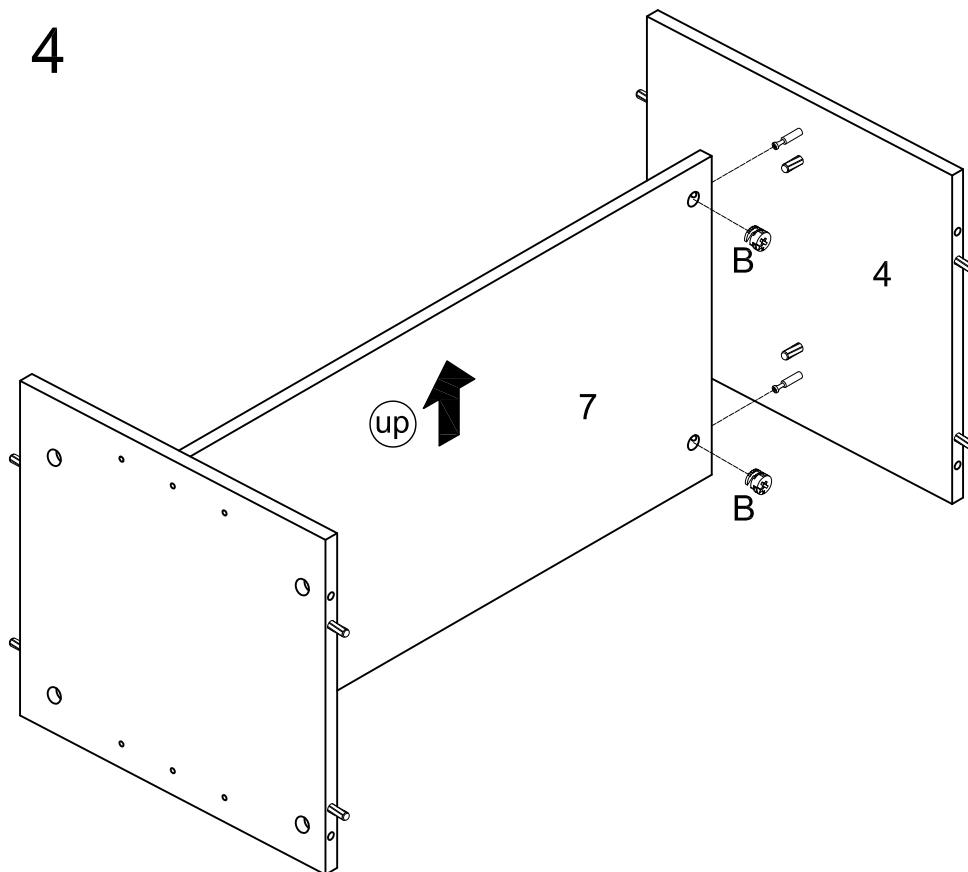
Secure cam bolt (C) into middle side panel (4,5), top panel (2), and bottom panel (1).

# Step 3



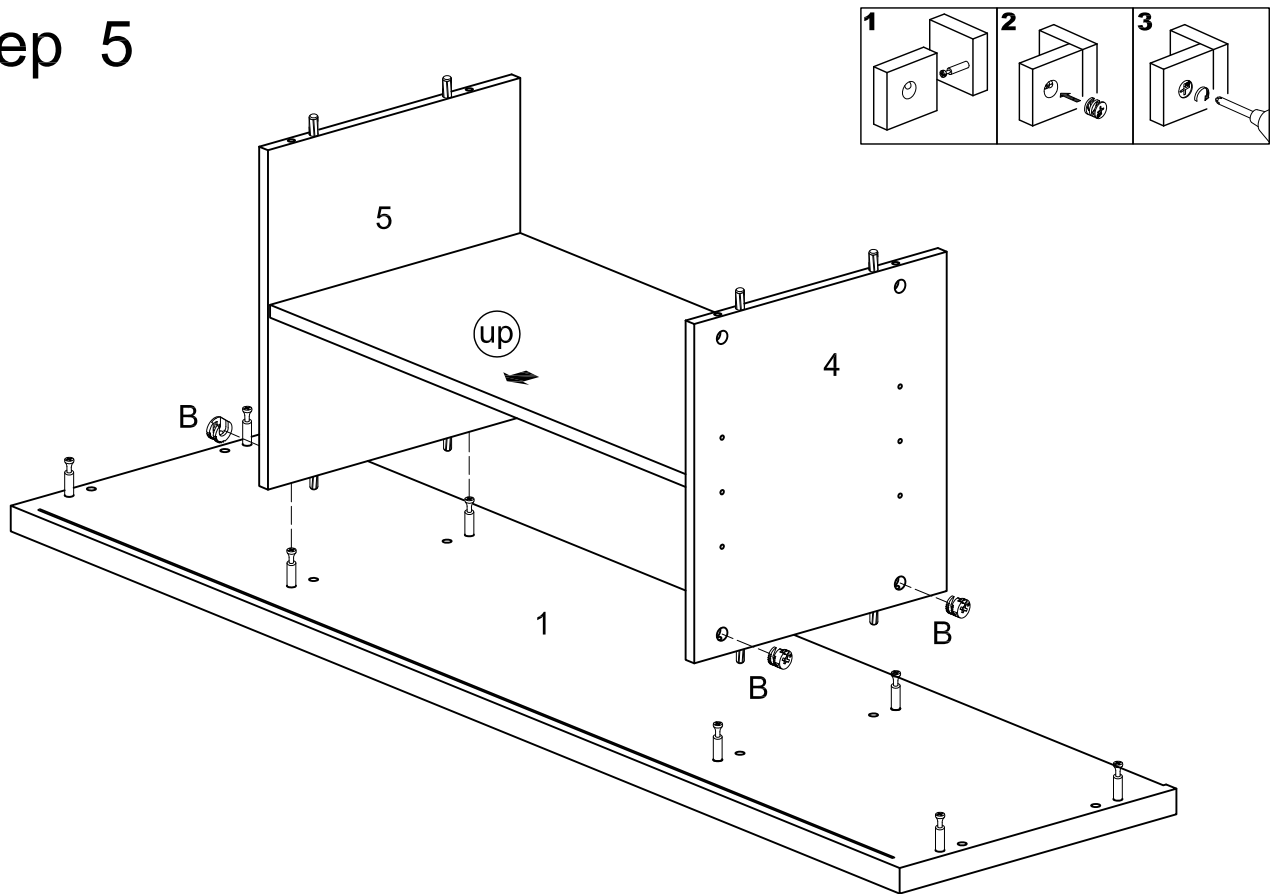
Insert shelf (7) into middle side panel (5), then insert and secure cam lock (B) to shelf (7) to lock it.

# Step 4



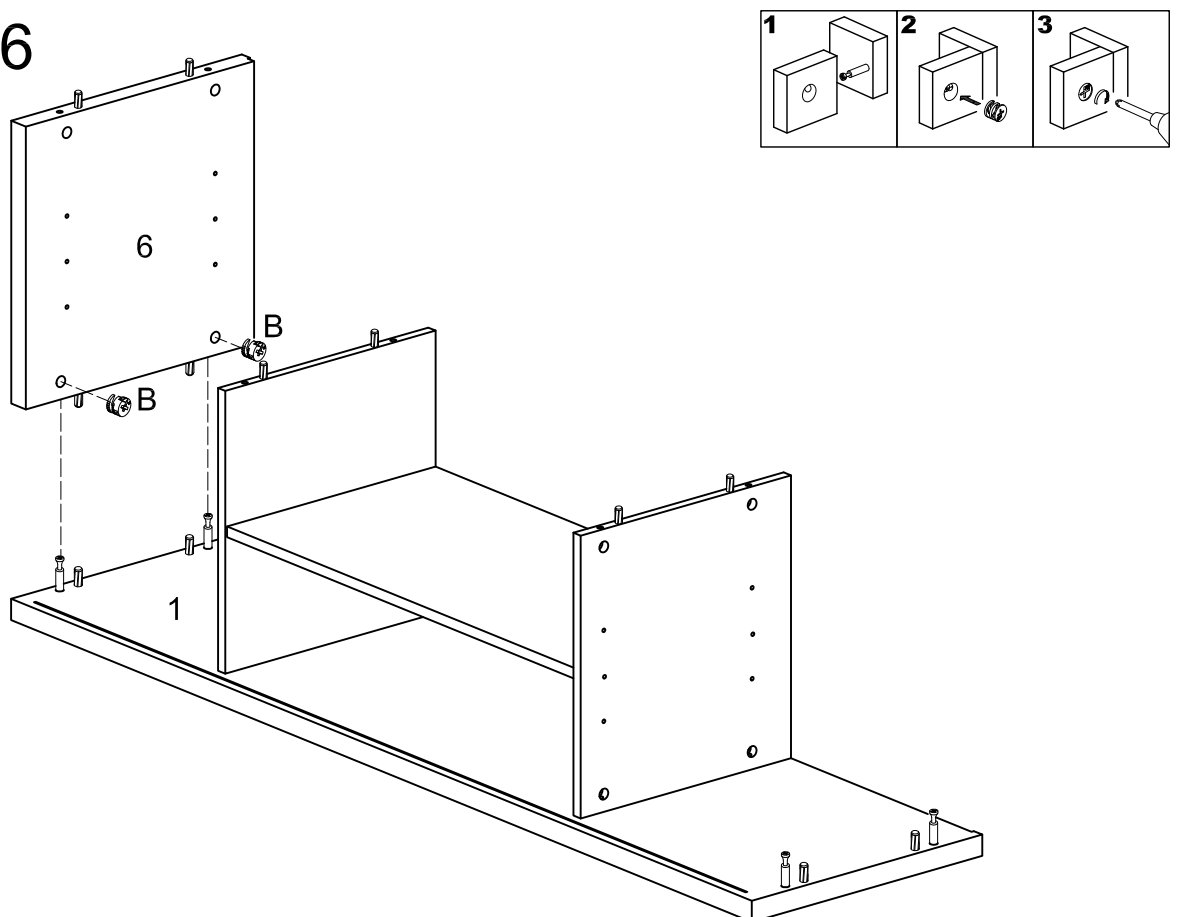
Insert shelf (7) into middle side panel (4), then insert and secure cam lock (B) to shelf (7) to lock it.

## Step 5



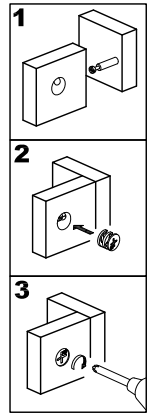
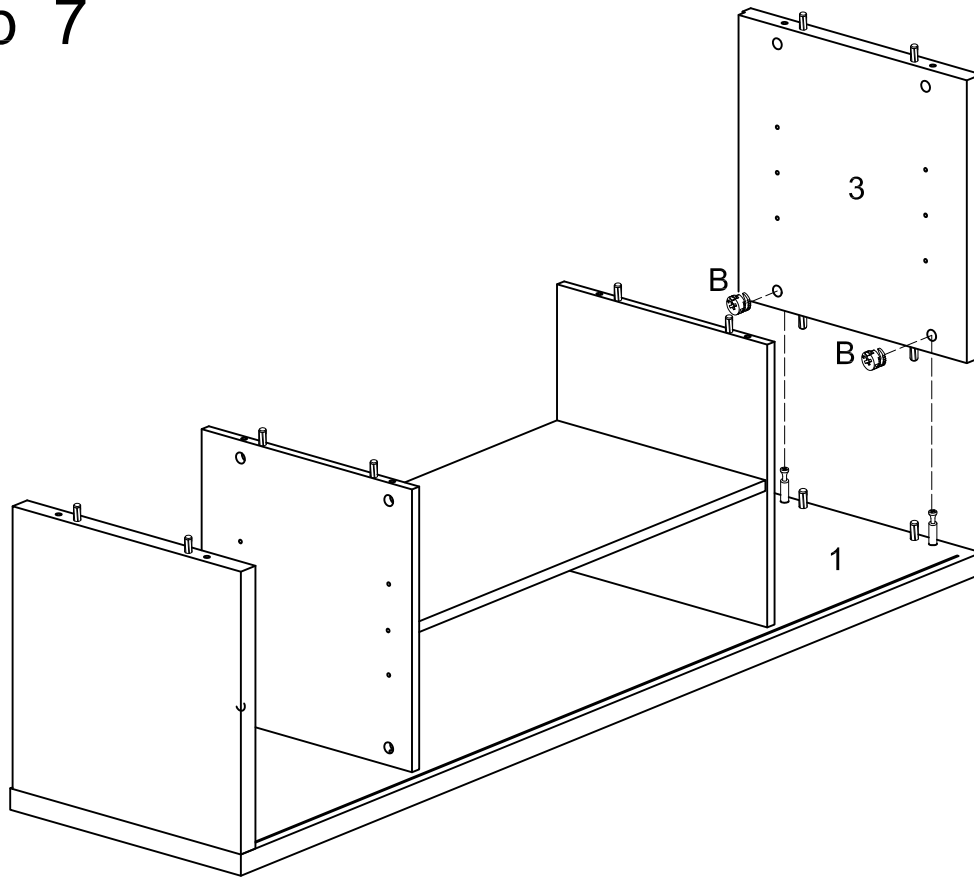
Insert middle side panel (4,5) into bottom panel (1), then insert and secure cam lock to middle side panel (4,5) to lock it.

## Step 6



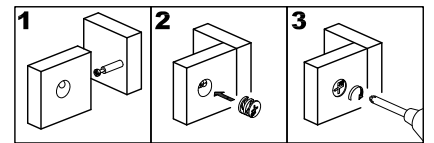
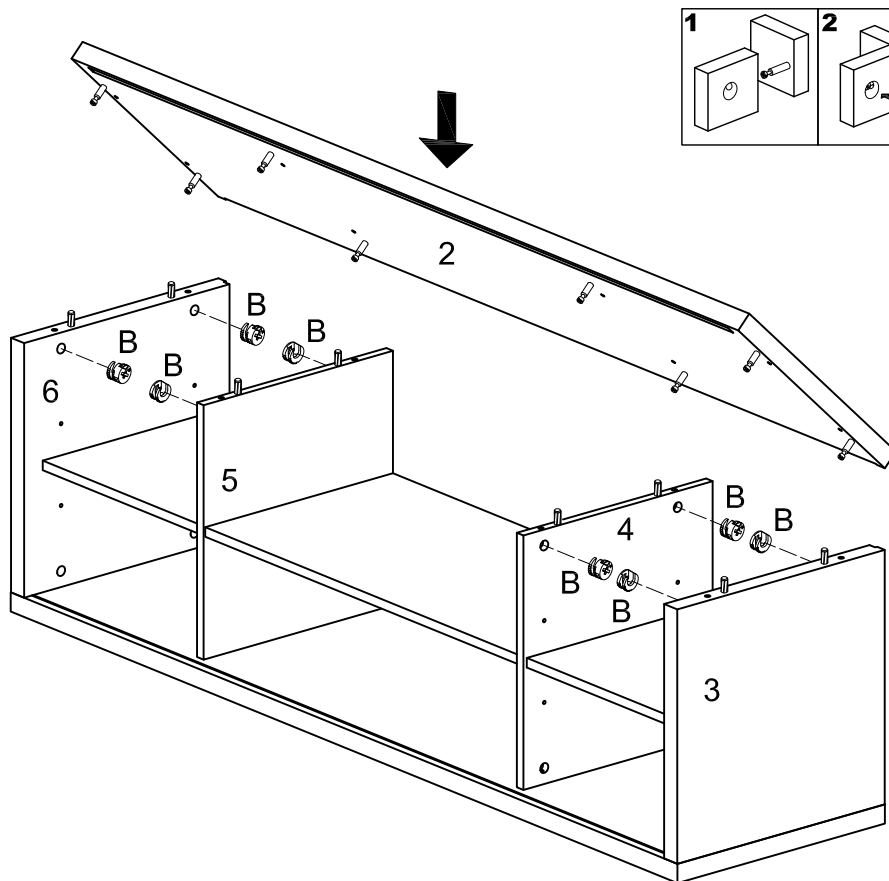
Insert side panel (6) into bottom panel (1), then insert and secure cam lock to side panel (6) to lock it.

# Step 7



Insert side panel (3) into bottom panel (1), then insert and secure cam lock to side panel (3) to lock it.

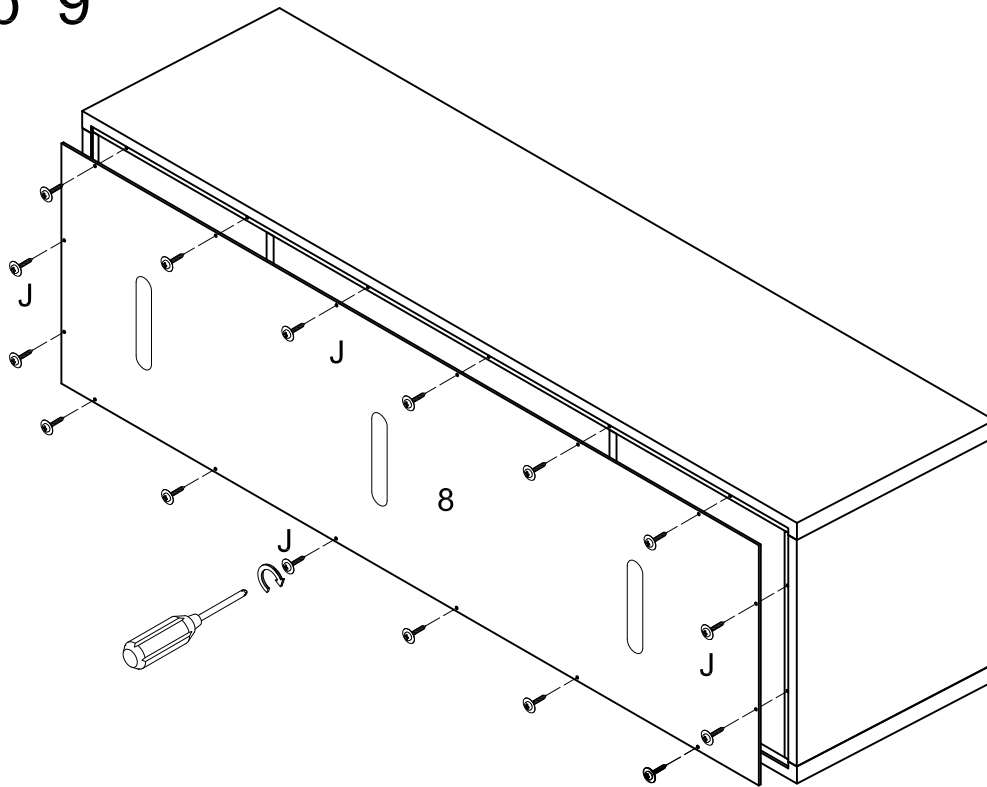
# Step 8



Insert top panel (2) into side panel (3,6) and middle side panel (4,5), then insert and secure cam lock (B) to side panel (3,6) and middle side panel (4,5) to lock it.

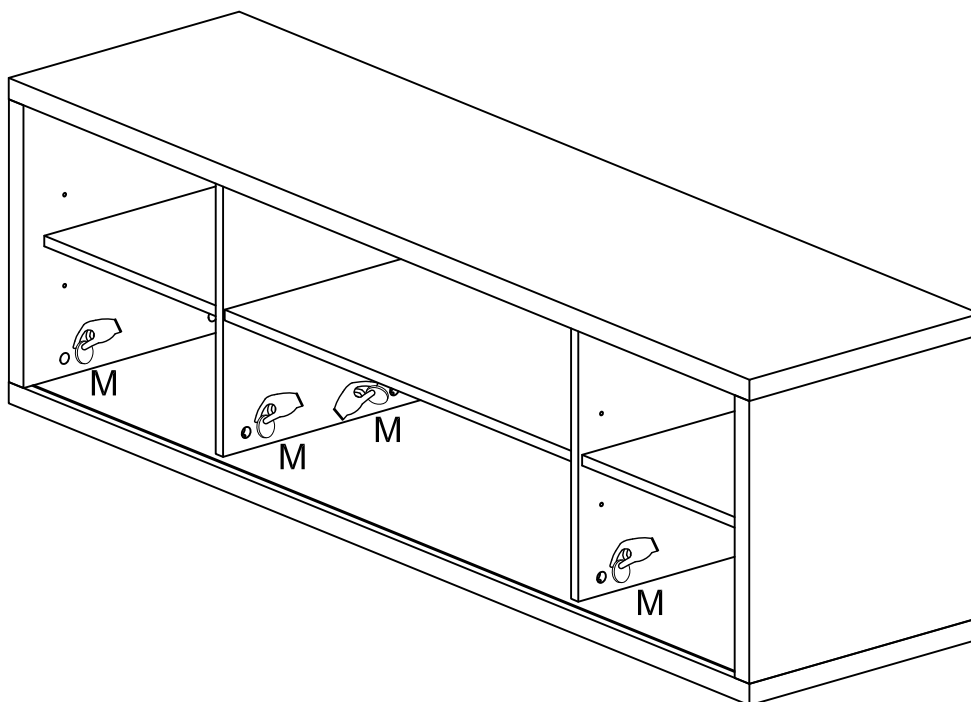


## Step 9



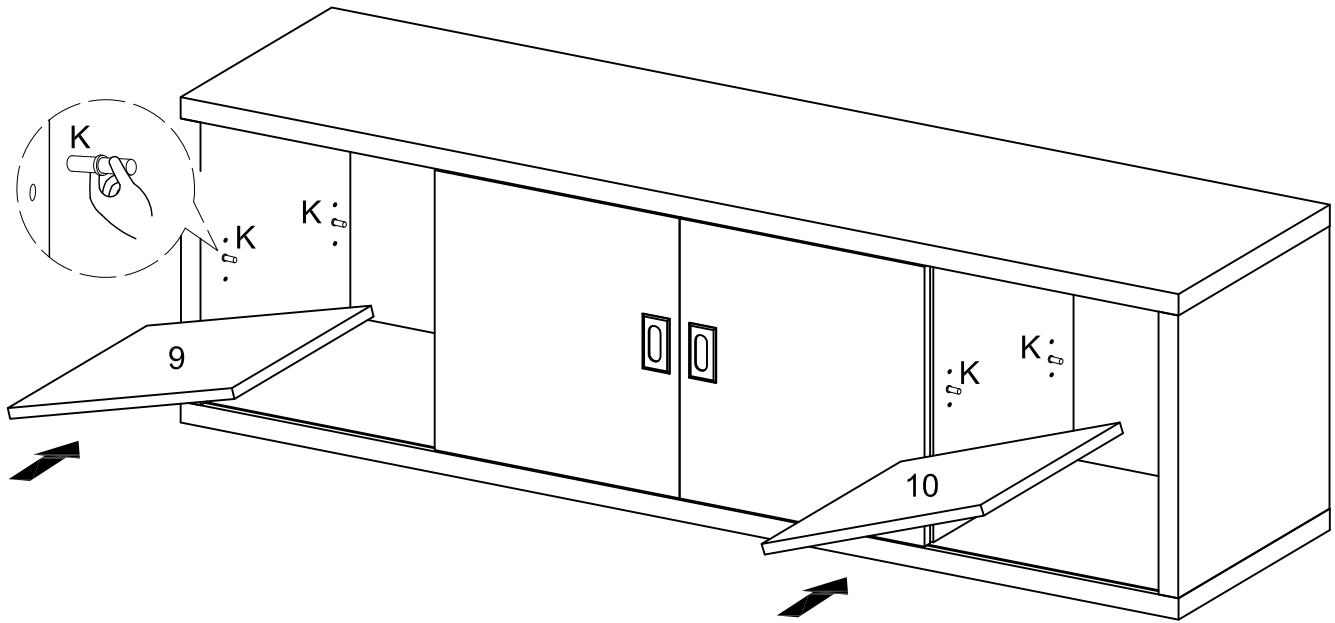
Secure screw (J) to back panel (8).

## Step 10



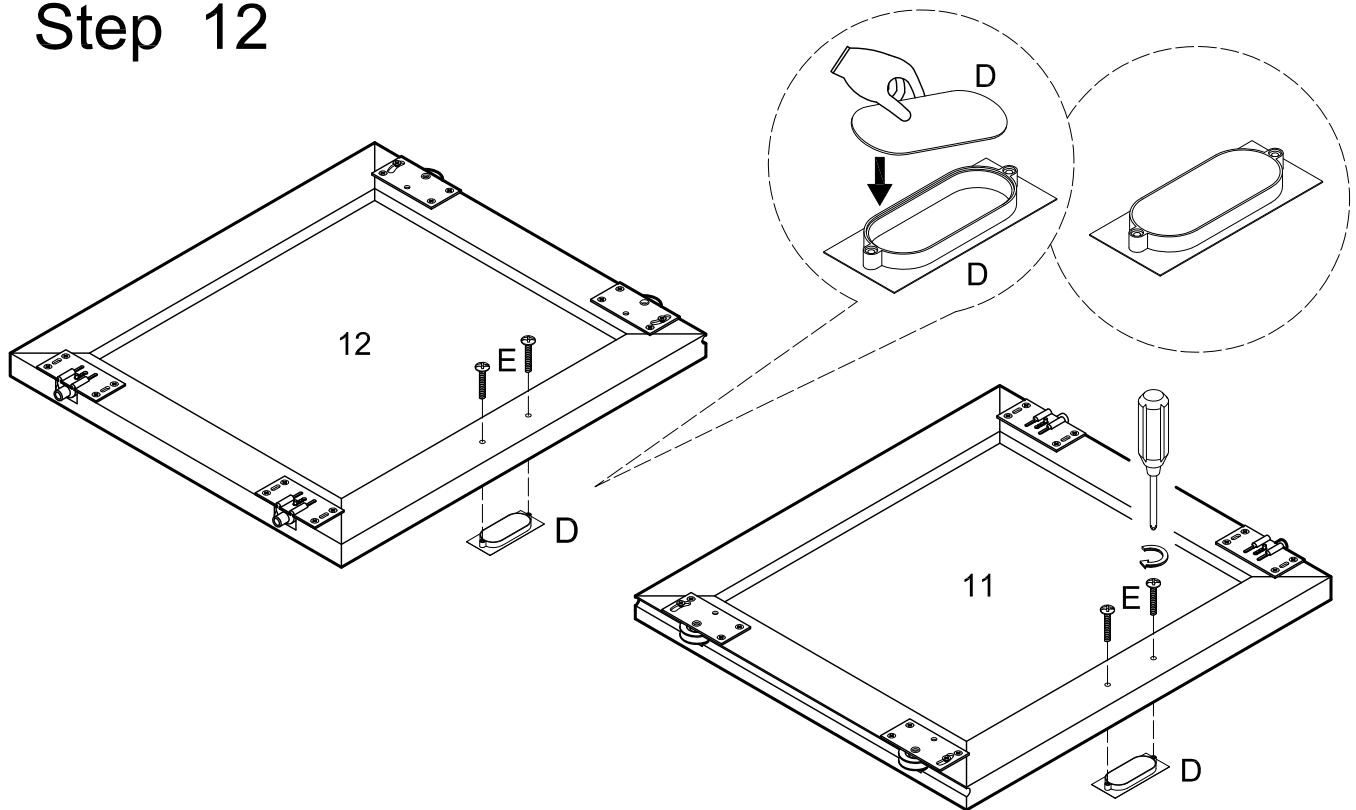
Place stickers (M) on holes to cover, as per diagram.

# Step 11



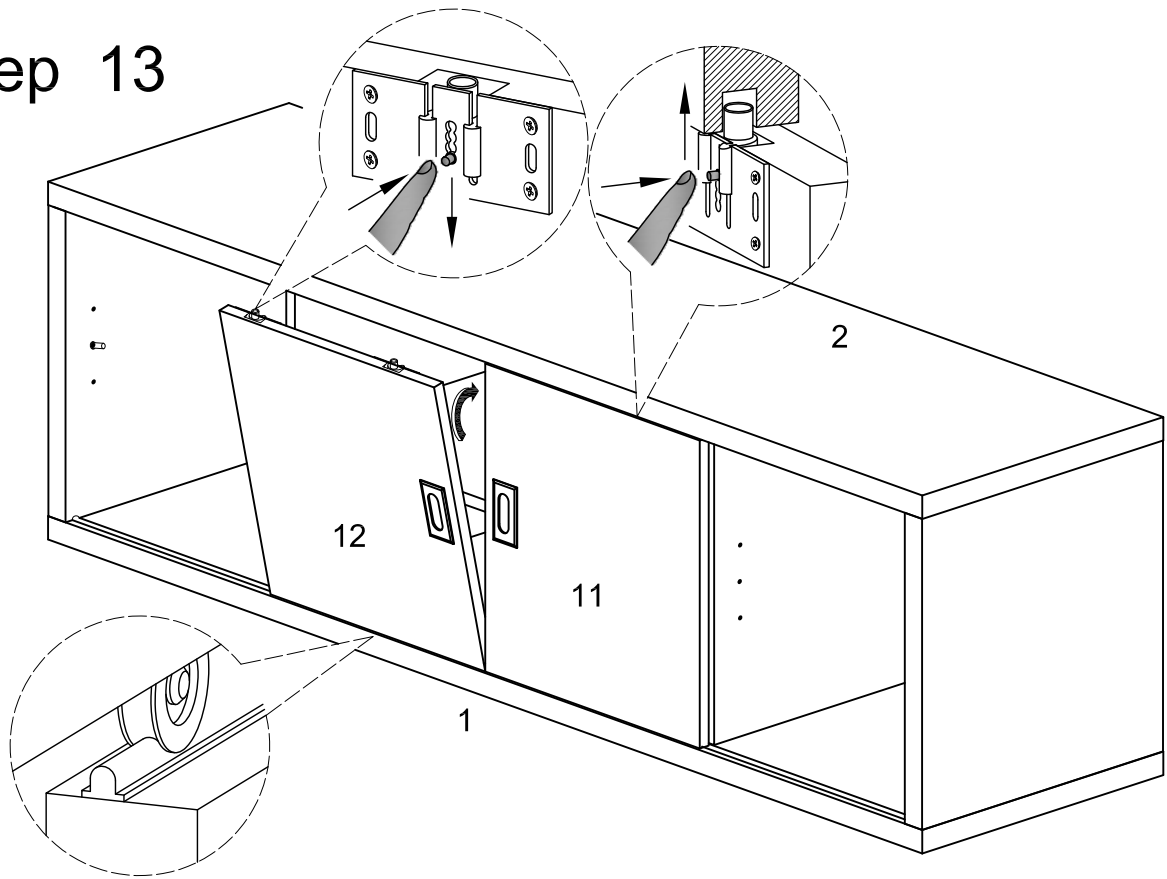
Insert shelf support pin (K) into side panel (3,6) and middle side panel (4,5), then place shelf (9,10) on top of shelf support pin (K).

# Step 12



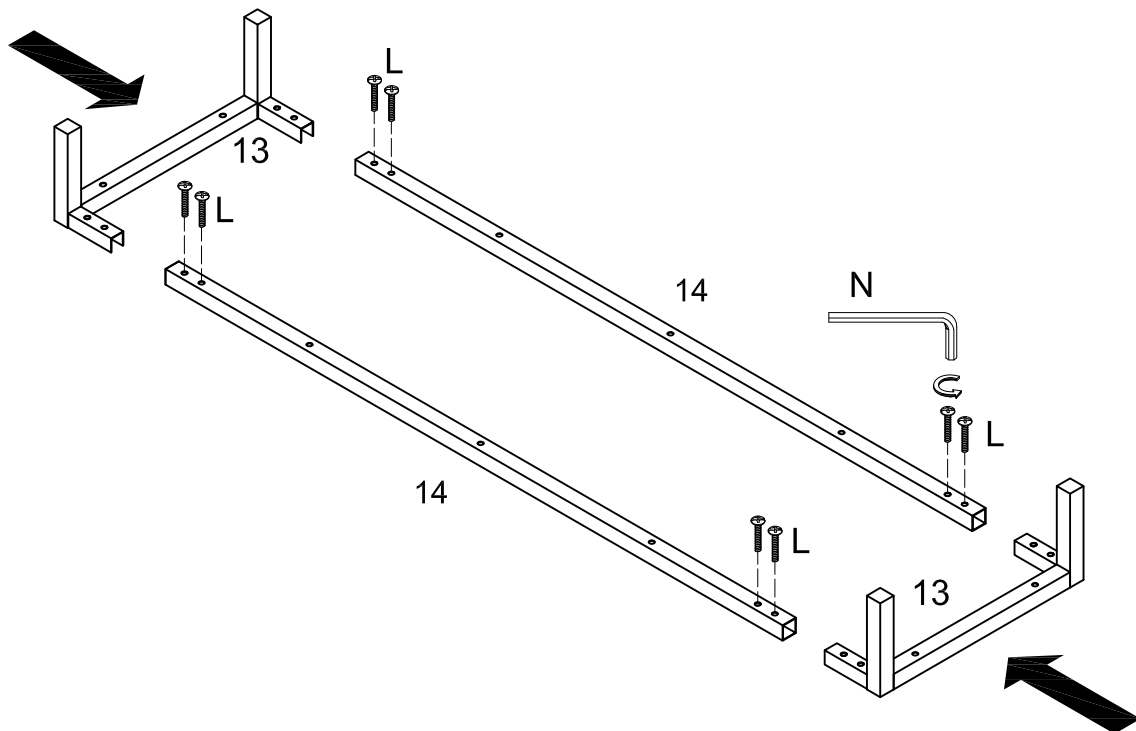
Place handle back (D) on handle (D) as per diagram, attach assembled handle (D) to doors (11,12) with screws (E).

## Step 13



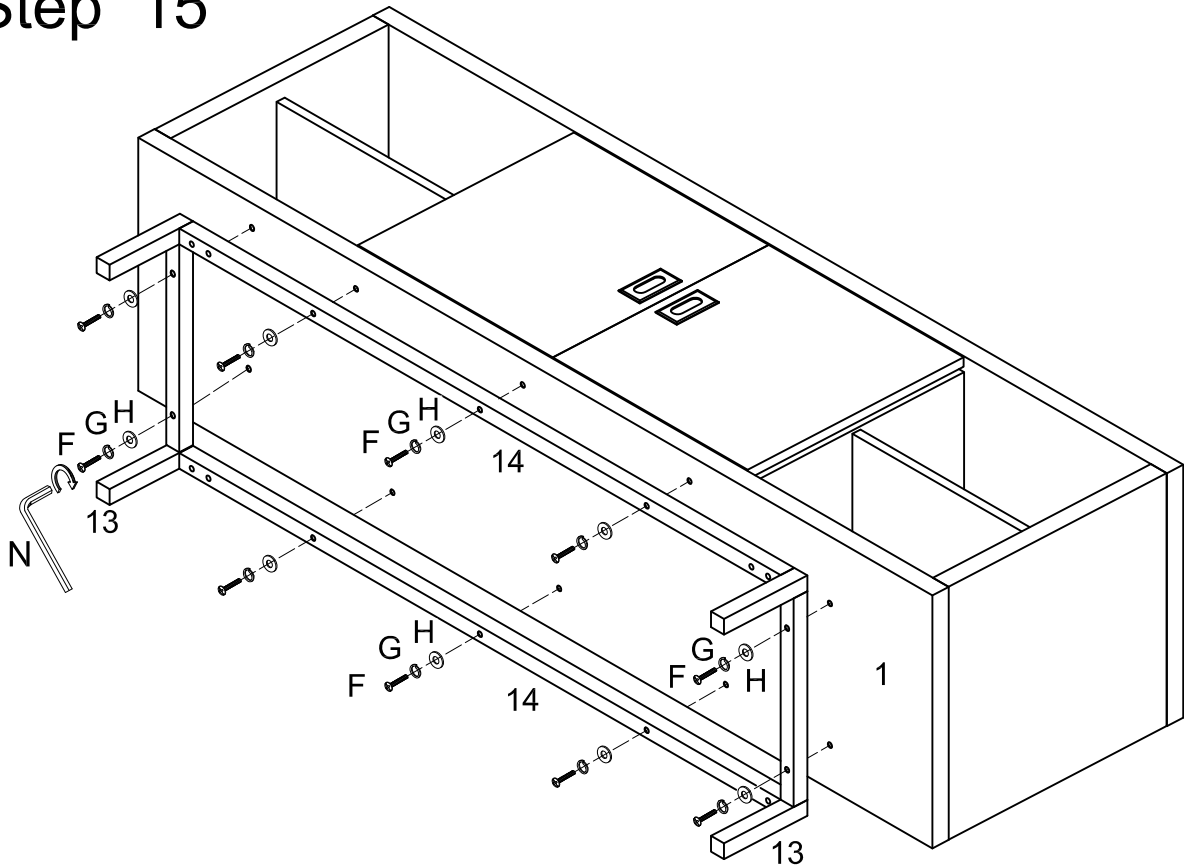
Place door (11,12) carefully on caster as per diagram. Press the door lock down as per diagram, then set door (11,12) in place. Press the door lock up as per diagram to secure sliding door (11,12).

## Step 14



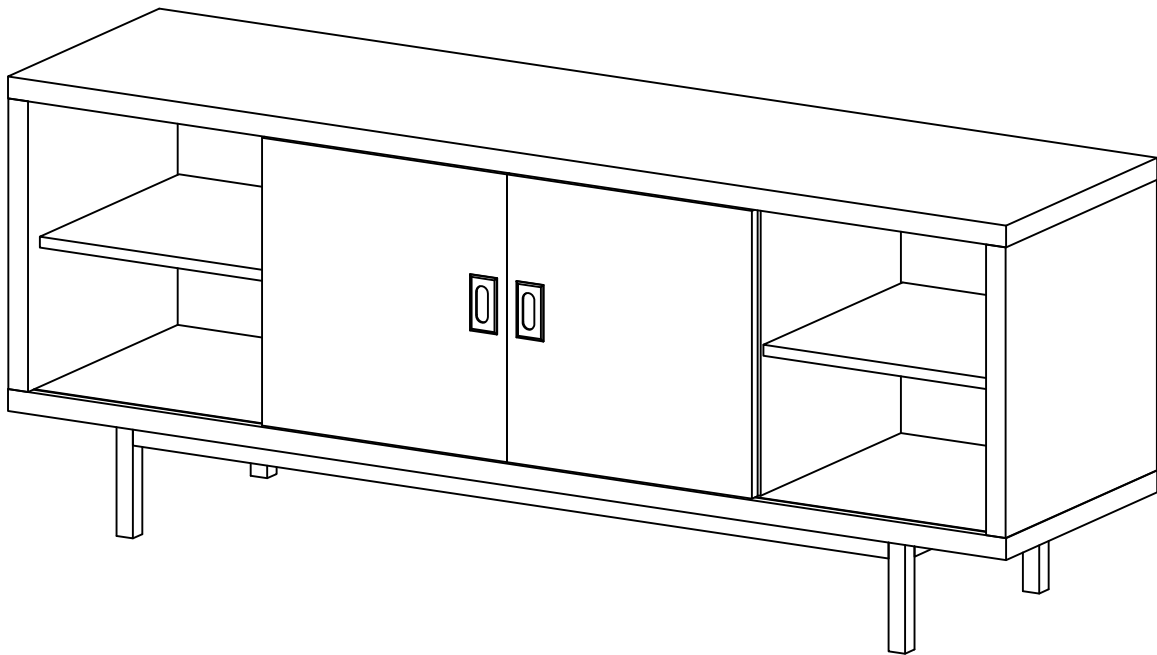
Insert legs (13) into cross bar (14), and use wrench (N) to secure cross bar (14) with bolt (L).

## Step 15



Use wrench (N) to secure leg (13) and cross bar (14) to bottom panel (1) with Bolt (F), spring washer (G), and washer (H).

## Step 16



## Final Assembly